



US00D573706S

(12) **United States Design Patent**  
**Zlotnik et al.**

(10) **Patent No.:** **US D573,706 S**  
(45) **Date of Patent:** **\*\* Jul. 22, 2008**

(54) **DISPENSER CABINET**

(75) Inventors: **Arnold H. Zlotnik**, Pittsburgh, PA (US);  
**Raymond Czapko**, Pittsburgh, PA (US);  
**Eric R. Colburn**, Wexford, PA (US);  
**Anthony D. Shoemaker**, Pittsburgh, PA (US)

(73) Assignee: **PESTCO, Inc.**, Pittsburgh, PA (US)

(\*\*) Term: **14 Years**

(21) Appl. No.: **29/288,034**

(22) Filed: **May 25, 2007**

(51) **LOC (8) Cl.** ..... **28-99**

(52) **U.S. Cl.** ..... **D23/366**

(58) **Field of Classification Search** ..... 261/DIG. 17,  
261/DIG. 42, DIG. 65, DIG. 88, DIG. 89;  
D23/355-369; D28/5, 6; 392/386, 401,  
392/390-394; 239/34-35, 41-44, 53-60,  
239/136, 326

See application file for complete search history.

(56) **References Cited**

**U.S. PATENT DOCUMENTS**

D308,415	S	*	6/1990	Kunze	.....	D23/366
5,271,560	A	*	12/1993	De Winter	.....	239/42
D357,977	S	*	5/1995	Muderlak	.....	D23/366
D361,375	S	*	8/1995	Gallagher et al.	.....	D23/366
D406,330	S	*	3/1999	Chen	.....	D23/366
D407,477	S	*	3/1999	Chen	.....	D23/366
D409,740	S	*	5/1999	Gallagher et al.	.....	D23/366
D413,663	S	*	9/1999	Chen	.....	D23/366
D425,190	S	*	5/2000	Morikawa	.....	D23/366
D433,113	S	*	10/2000	Cole	.....	D23/366
D468,627	S	*	1/2003	Dampney	.....	D9/693

D471,970	S	*	3/2003	Gallagher et al.	.....	D23/366
D478,379	S	*	8/2003	Talenton et al.	.....	D23/366
D491,798	S	*	6/2004	Buthier	.....	D23/366
D533,931	S	*	12/2006	Miller et al.	.....	D23/366
D537,929	S	*	3/2007	Muderlak et al.	.....	D23/366
D546,434	S	*	7/2007	Barraclough	.....	D23/366

\* cited by examiner

*Primary Examiner*—Sandra Snapp

(74) *Attorney, Agent, or Firm*—Clifford A. Poff

(57) **CLAIM**

A dispenser cabinet, as show and described.

**DESCRIPTION**

FIG. 1 is a perspective view showing a top, right side and front of a dispenser cabinet for deodorant shown in a closed position;

FIG. 2 is a front view of the dispenser cabinet shown in FIG. 1;

FIG. 3 is a right side view of the dispenser cabinet shown in FIG. 1, the opposite side being a mirror image of that shown;

FIG. 4 is a top view of the dispenser cabinet shown in FIG. 1;

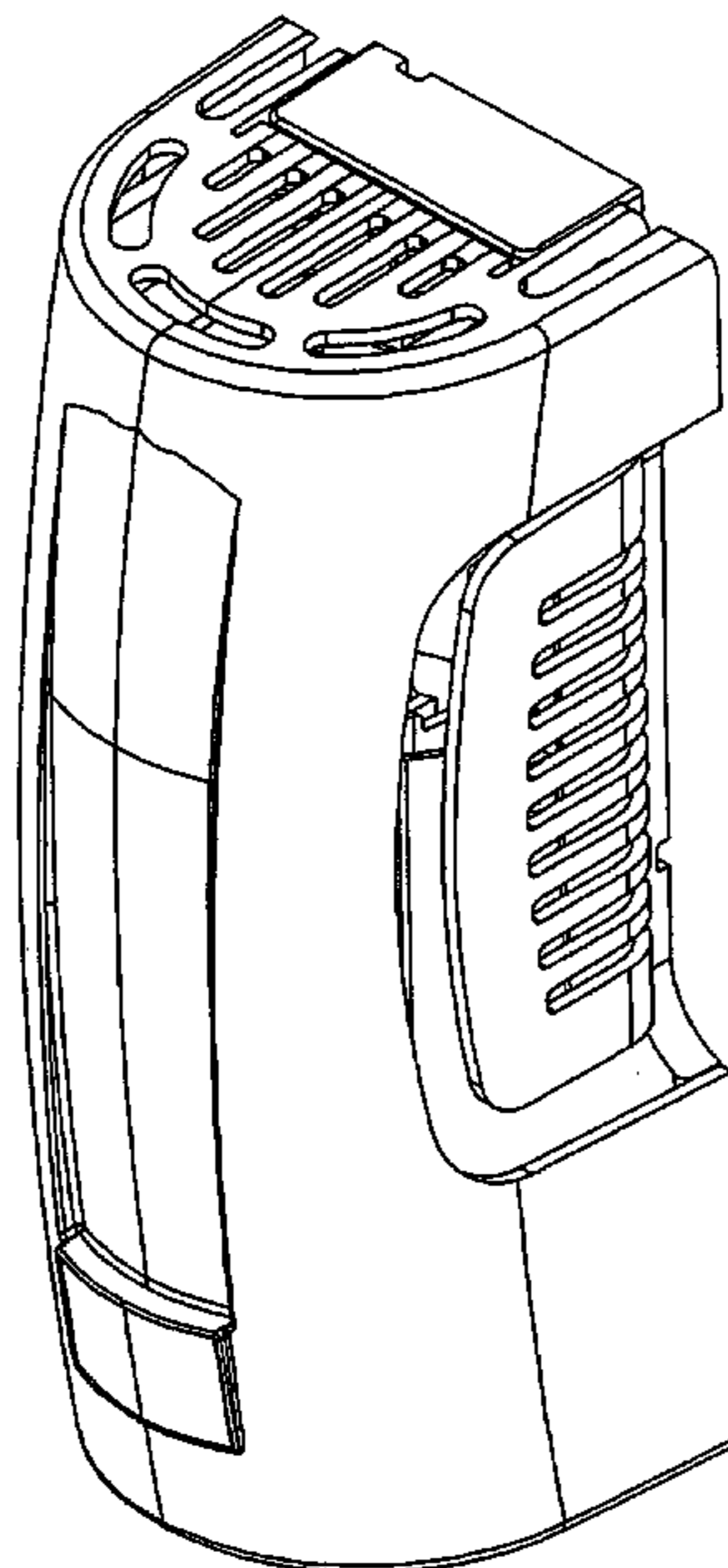
FIG. 5 is a bottom view of the dispenser cabinet shown in FIG. 1;

FIG. 6 is a perspective view showing the top, left side and front of the dispenser cabinet for deodorant shown in an open position;

FIG. 7 is a front view of the dispenser cabinet shown in FIG. 6; and,

FIG. 8 is a right side view of the dispenser cabinet shown in FIG. 6, the opposite side being a mirror image of that shown.

**1 Claim, 8 Drawing Sheets**



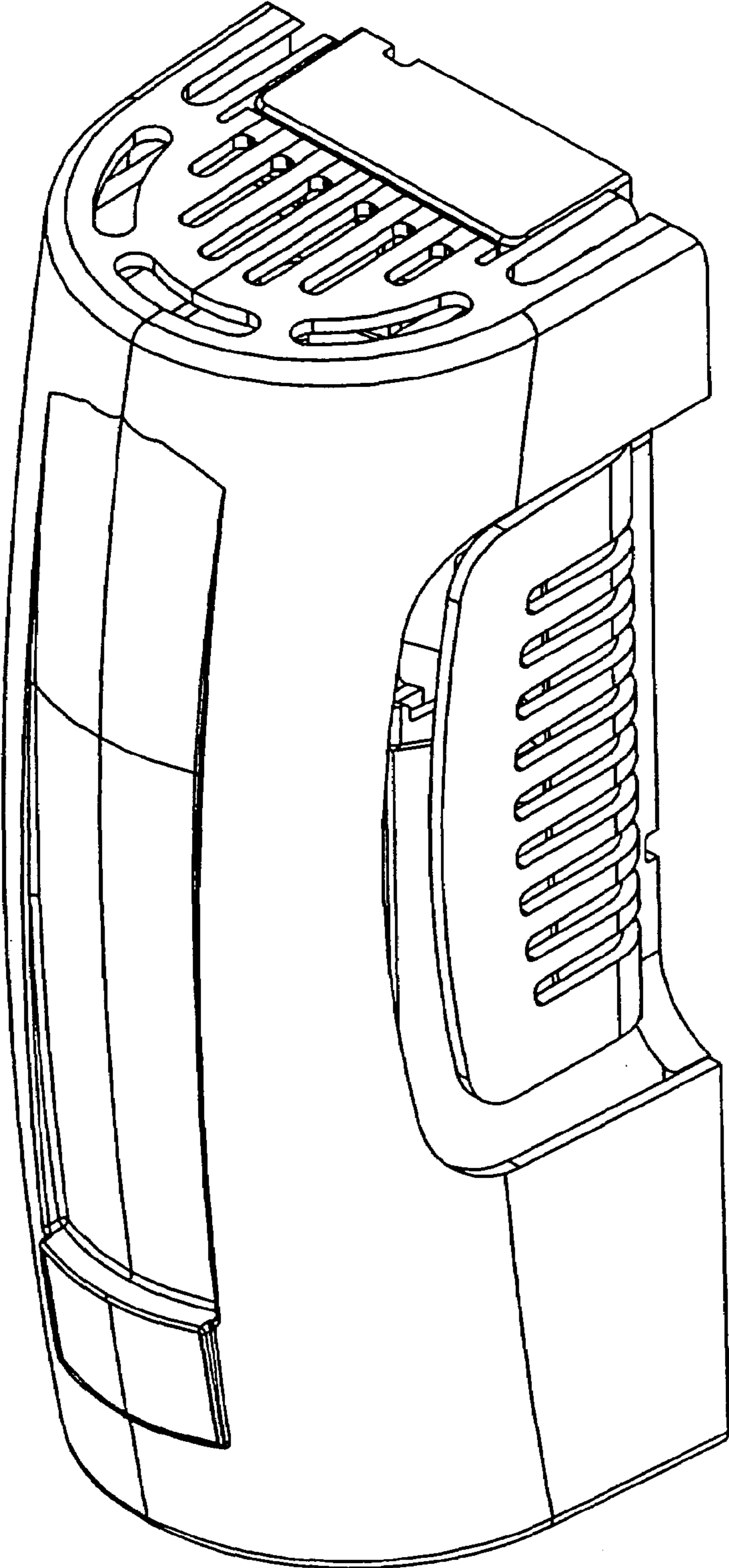


Figure 1

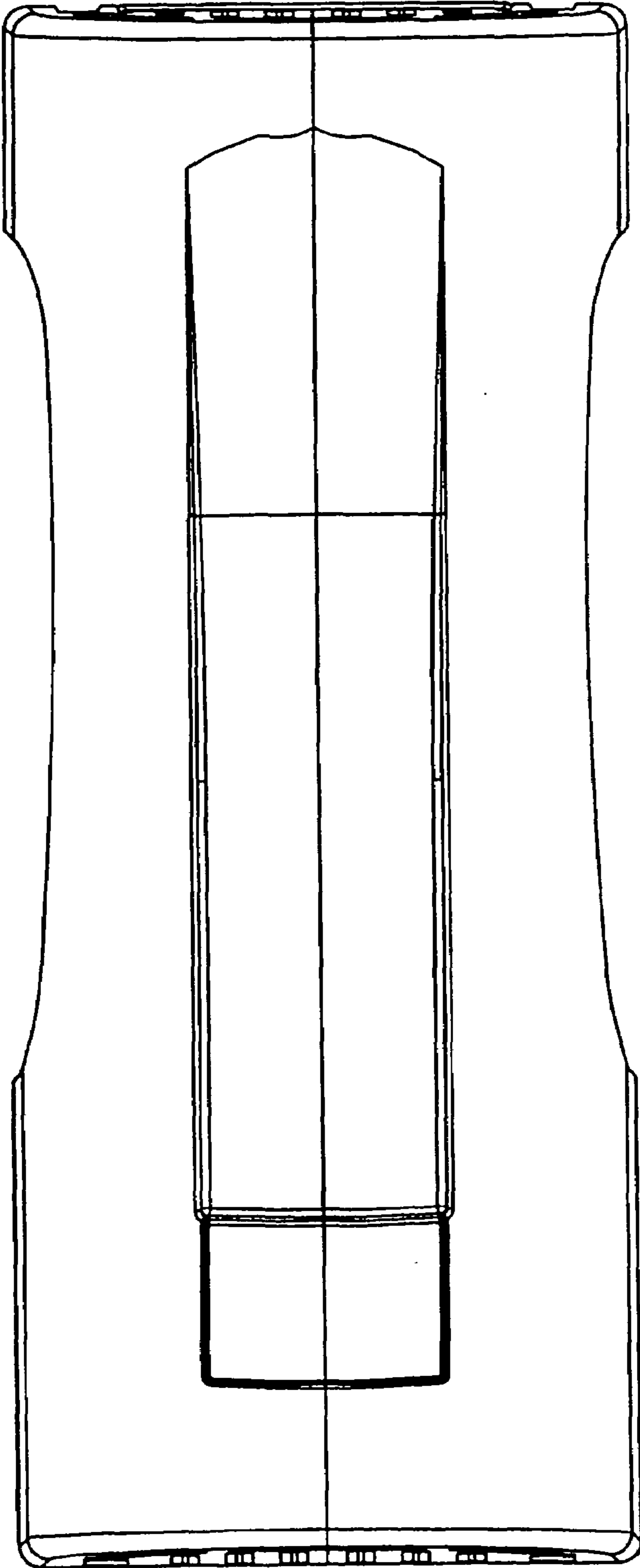


Figure 2

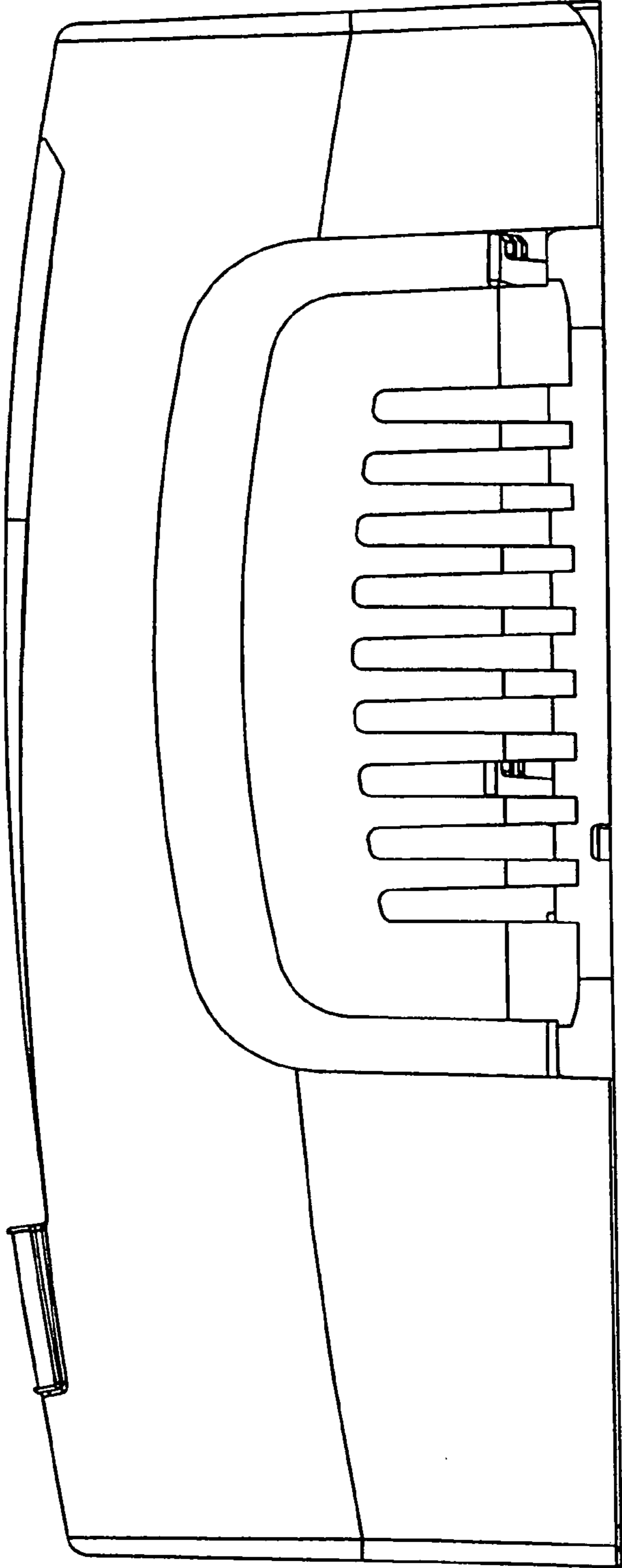


Figure 3

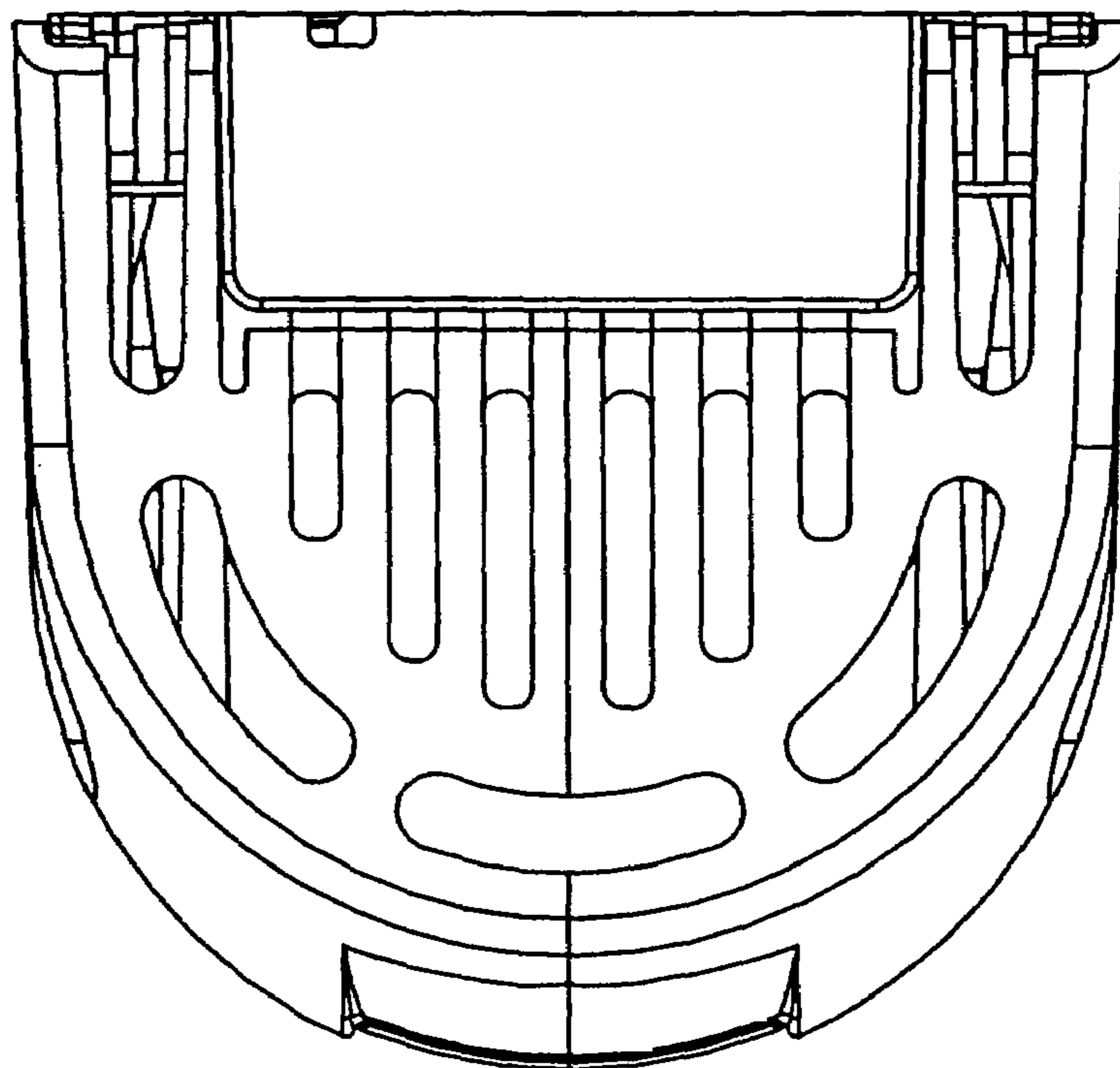


Figure 4

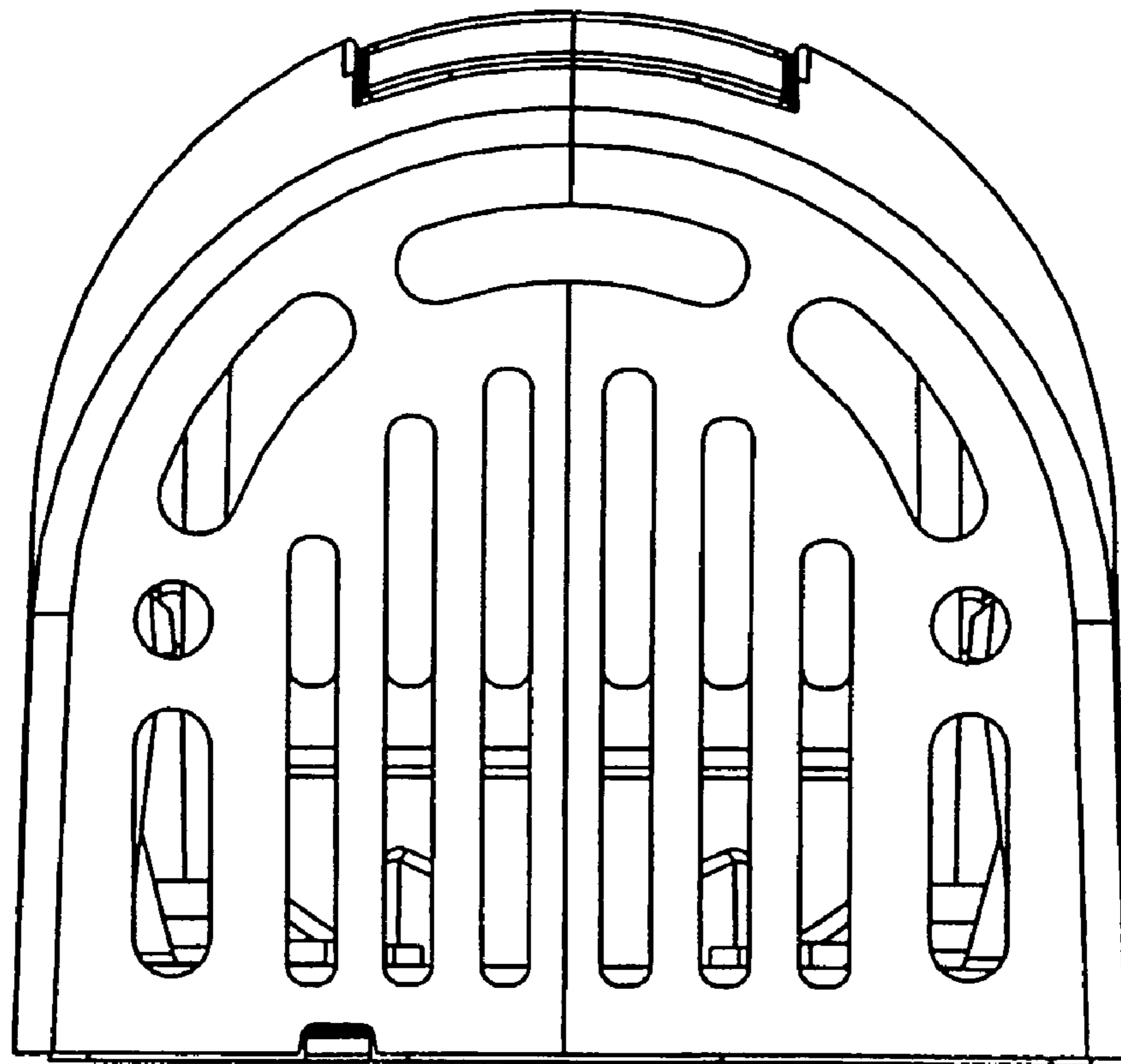


Figure 5

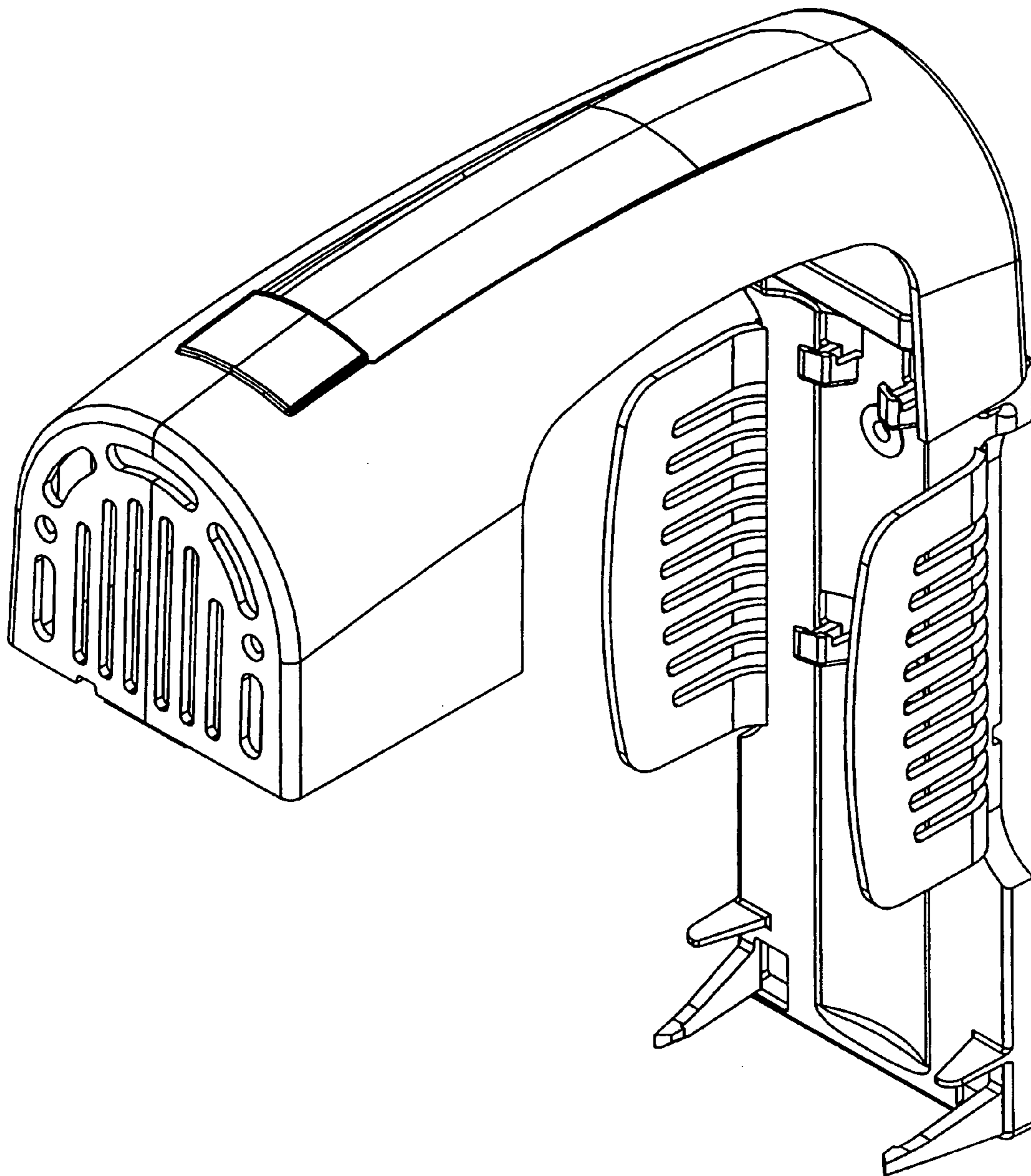


Figure 6

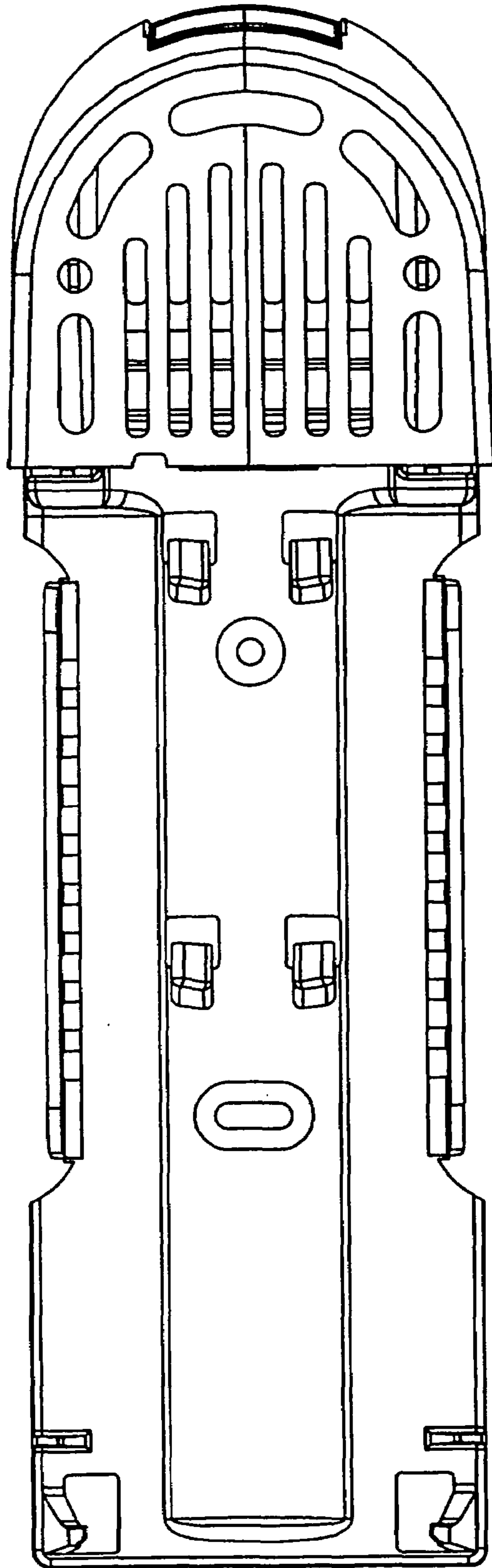


Figure 7



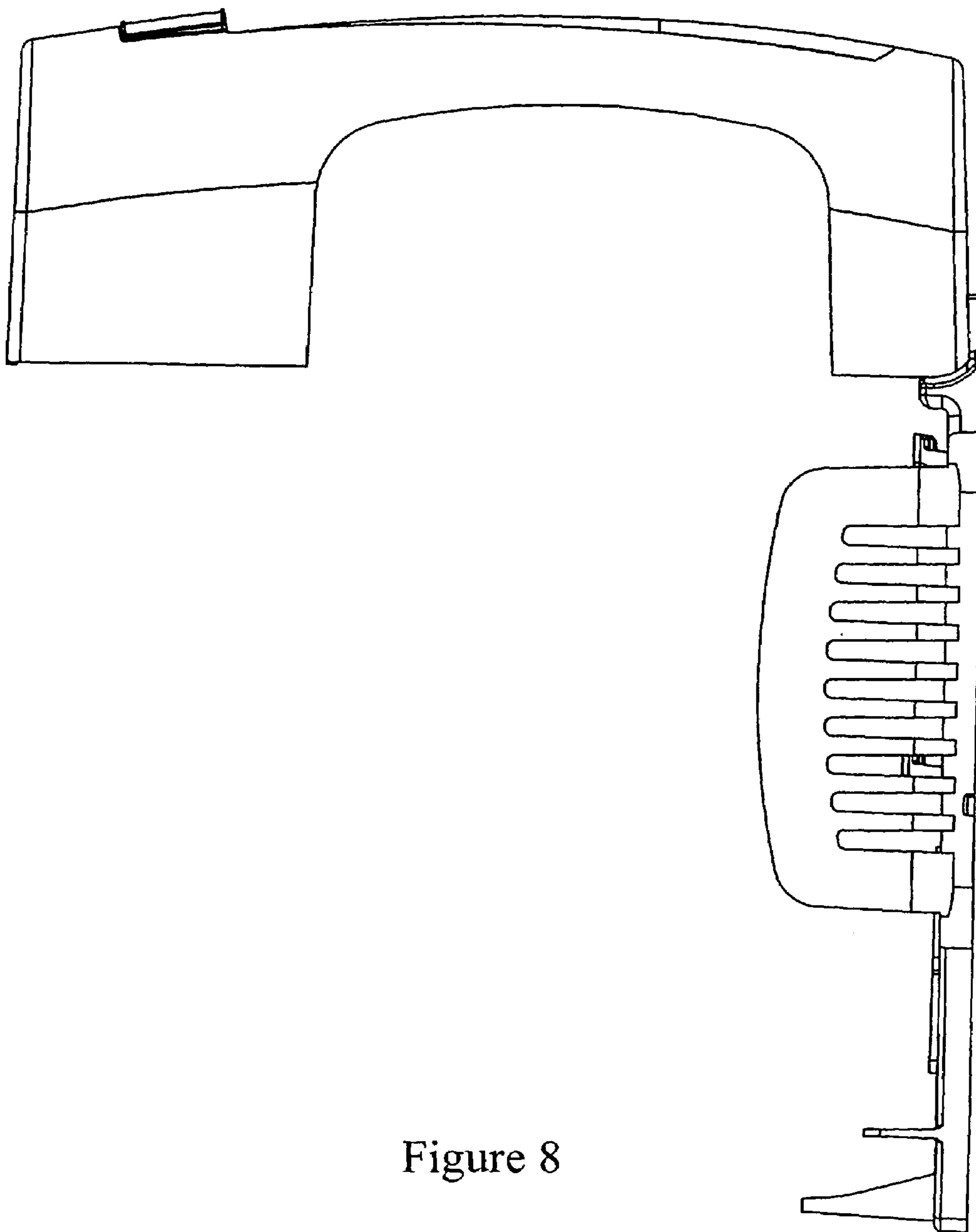


Figure 8