



US00D573704S

(12) **United States Design Patent**
Chen

(10) **Patent No.:** **US D573,704 S**

(45) **Date of Patent:** **** Jul. 22, 2008**

(54) **AIR CLEANER**

(76) **Inventor:** **Huei-Ci Chen**, 10F., No. 32, Yung Chi Road, Taipei City (TW)

(**) **Term:** **14 Years**

(21) **Appl. No.:** **29/299,273**

(22) **Filed:** **Dec. 21, 2007**

(51) **LOC (8) Cl.** **23-04**

(52) **U.S. Cl.** **D23/364**

(58) **Field of Classification Search** D23/364,
D23/355, 356, 359, 360, 362, 352, 366, 369,
D23/332, 333, 335, 336, 342, 351; 422/120,
422/122; 55/356, 473, 504; 96/63; D14/188,
D14/170, 172; 261/DIG. 17, DIG. 65, DIG. 88,
261/DIG. 31

See application file for complete search history.

(56) **References Cited**

U.S. PATENT DOCUMENTS

D376,418 S *	12/1996	Wang	D23/332
D394,100 S *	5/1998	Promseeda	D23/364
D403,757 S *	1/1999	Aketa et al.	D23/351
D414,253 S *	9/1999	Kobayashi et al.	D23/351
D415,830 S *	10/1999	Kawata	D23/351
D419,230 S *	1/2000	Ciccone	D23/333
D440,292 S *	4/2001	Kip	D23/364

D443,349 S *	6/2001	Nonaka	D23/351
D476,306 S *	6/2003	Abe et al.	D14/188
6,616,736 B2 *	9/2003	Massey et al.	96/63
D493,215 S *	7/2004	Asaoka et al.	D23/351
D532,503 S *	11/2006	Shimizu	D23/351
D549,308 S *	8/2007	Chiu	D23/333

* cited by examiner

Primary Examiner—Louis S Zarfaz

Assistant Examiner—David G Muller

(74) *Attorney, Agent, or Firm*—Leong C. Lei

(57) **CLAIM**

The ornamental design for an air cleaner, as shown and described.

DESCRIPTION

FIG. 1 is a perspective view of an air cleaner showing my new design;

FIG. 2 is a front elevational view thereof;

FIG. 3 is a rear elevational view thereof;

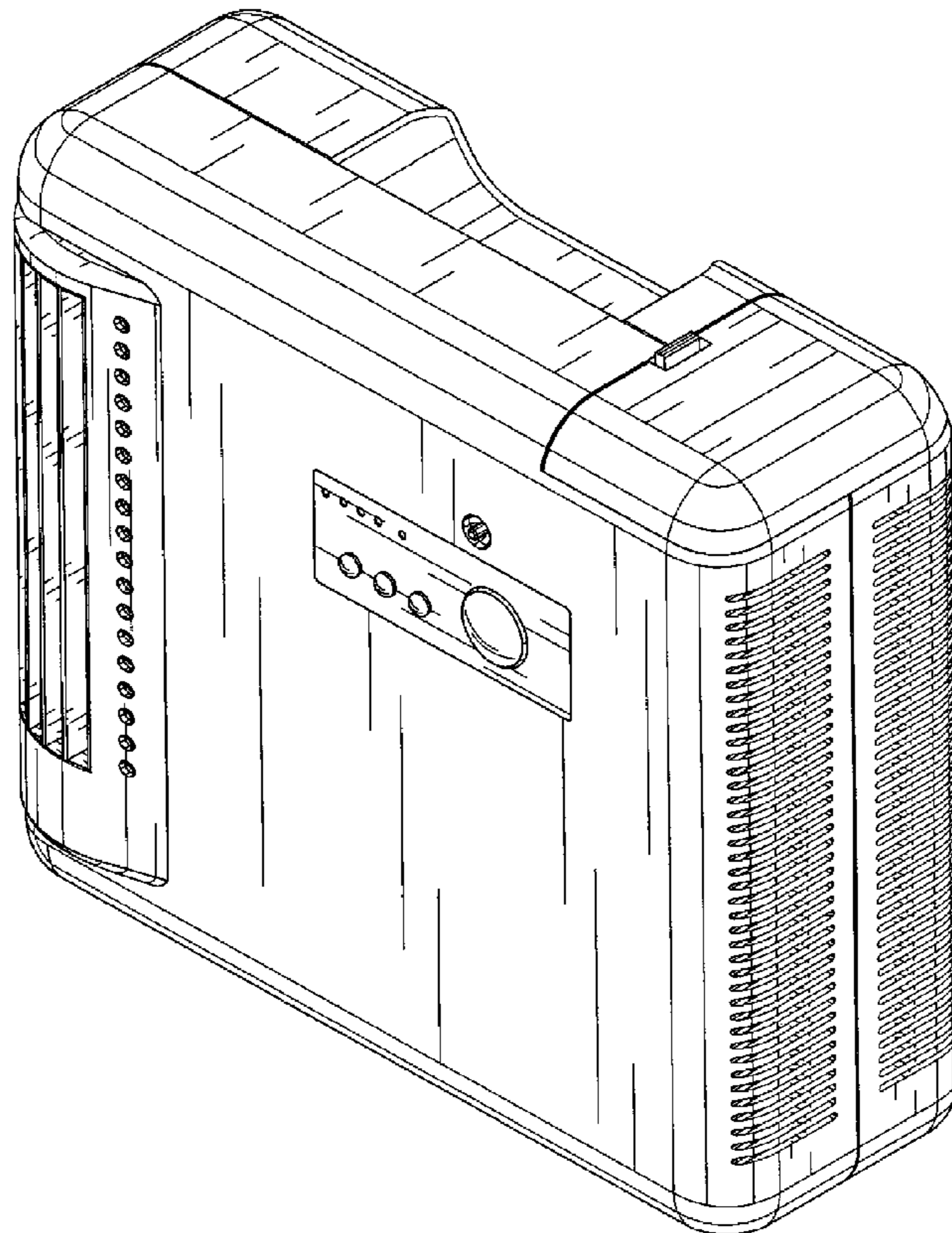
FIG. 4 is a left side elevational view thereof;

FIG. 5 is a right side elevational view thereof;

FIG. 6 is a top plan view thereof; and,

FIG. 7 is a bottom plan view thereof.

1 Claim, 7 Drawing Sheets



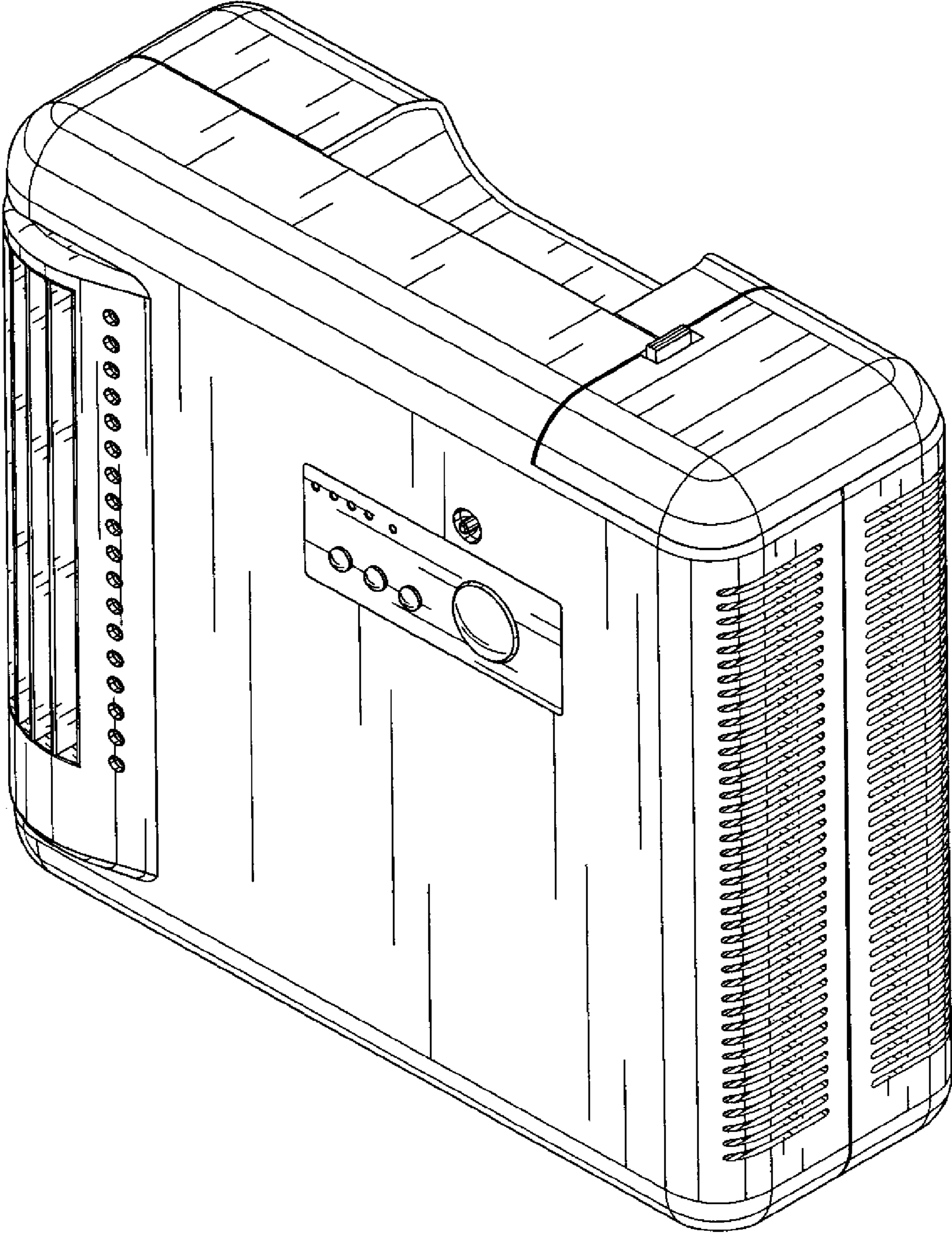


FIG. 1

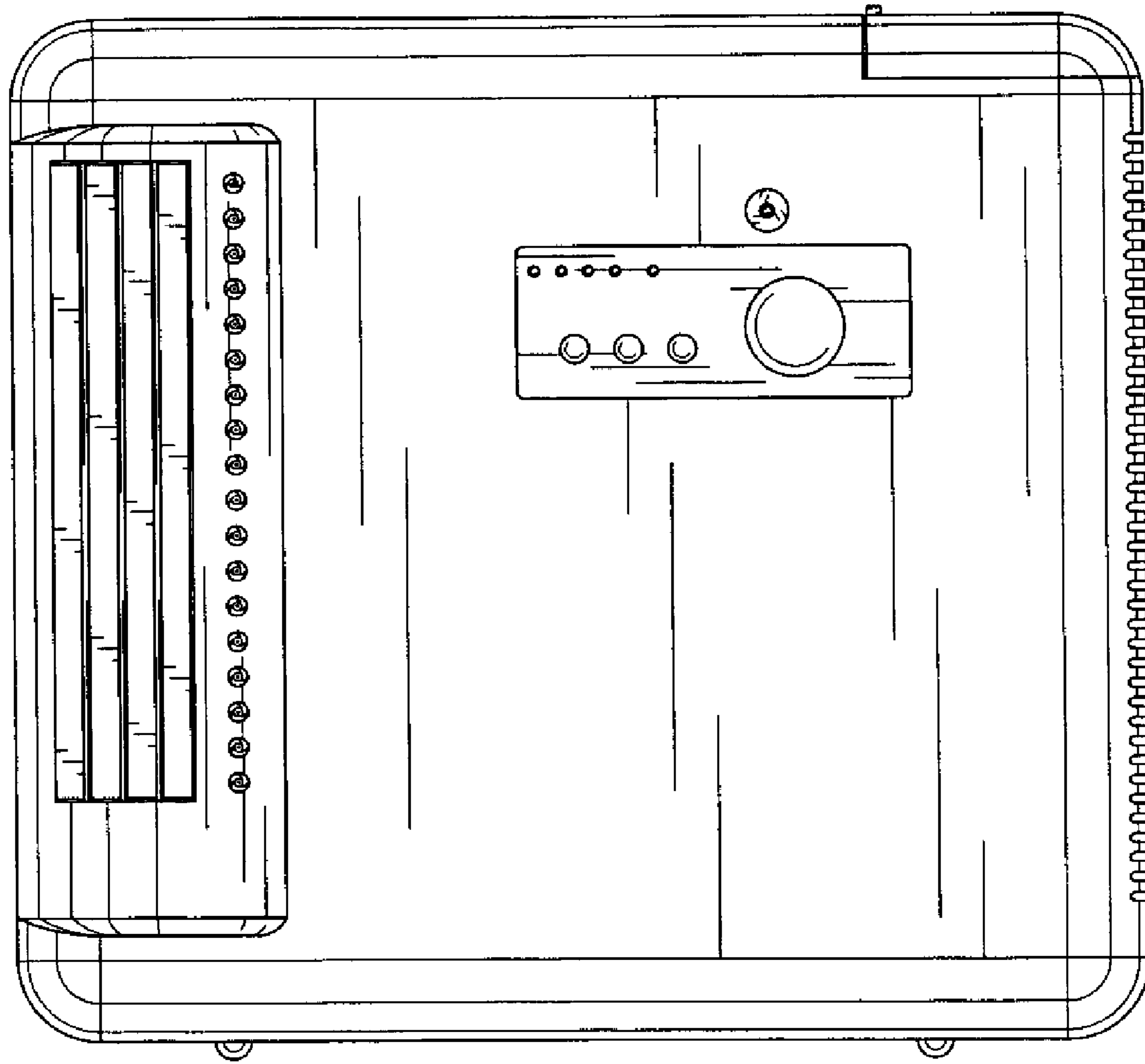


FIG. 2

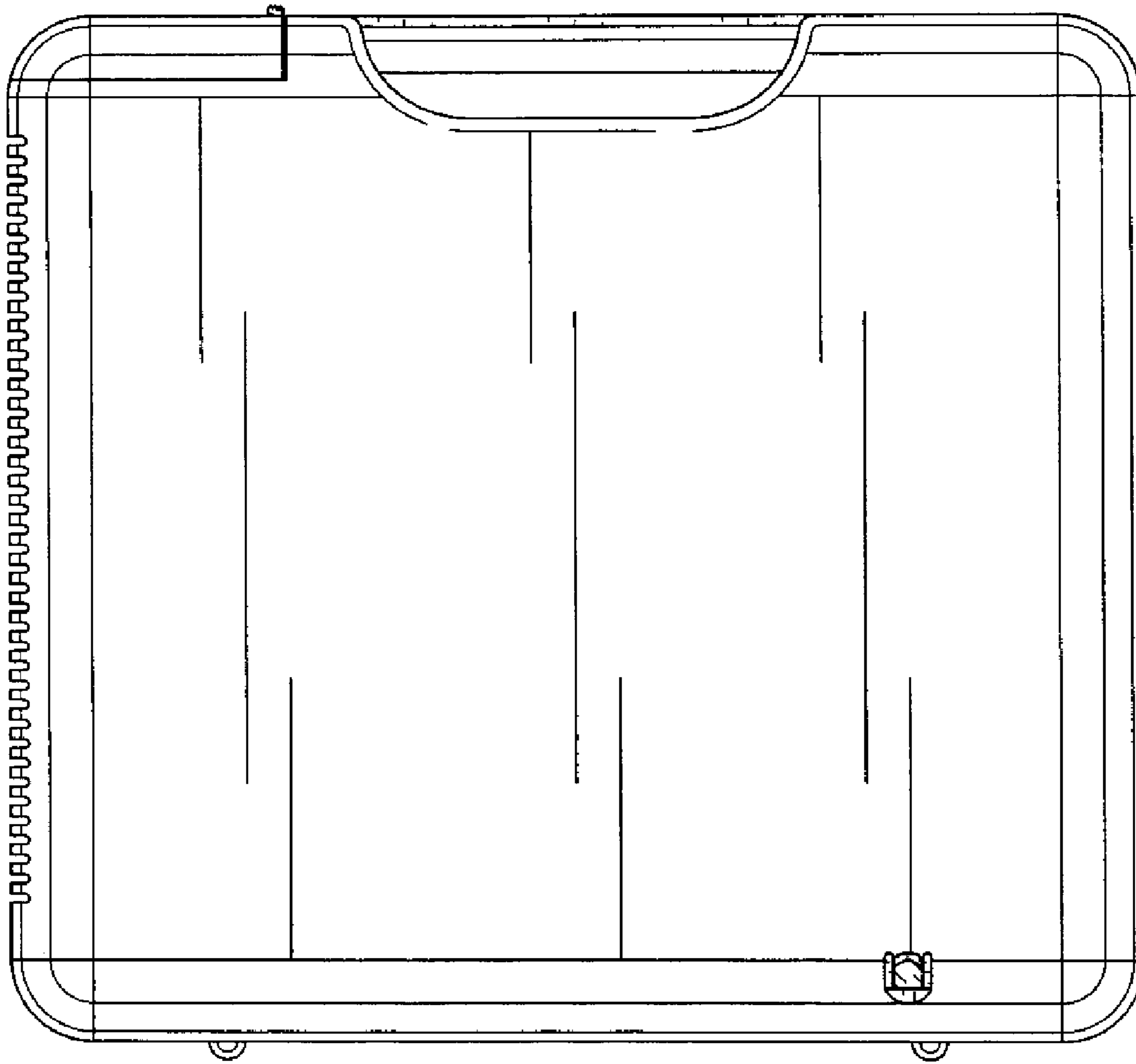


FIG. 3

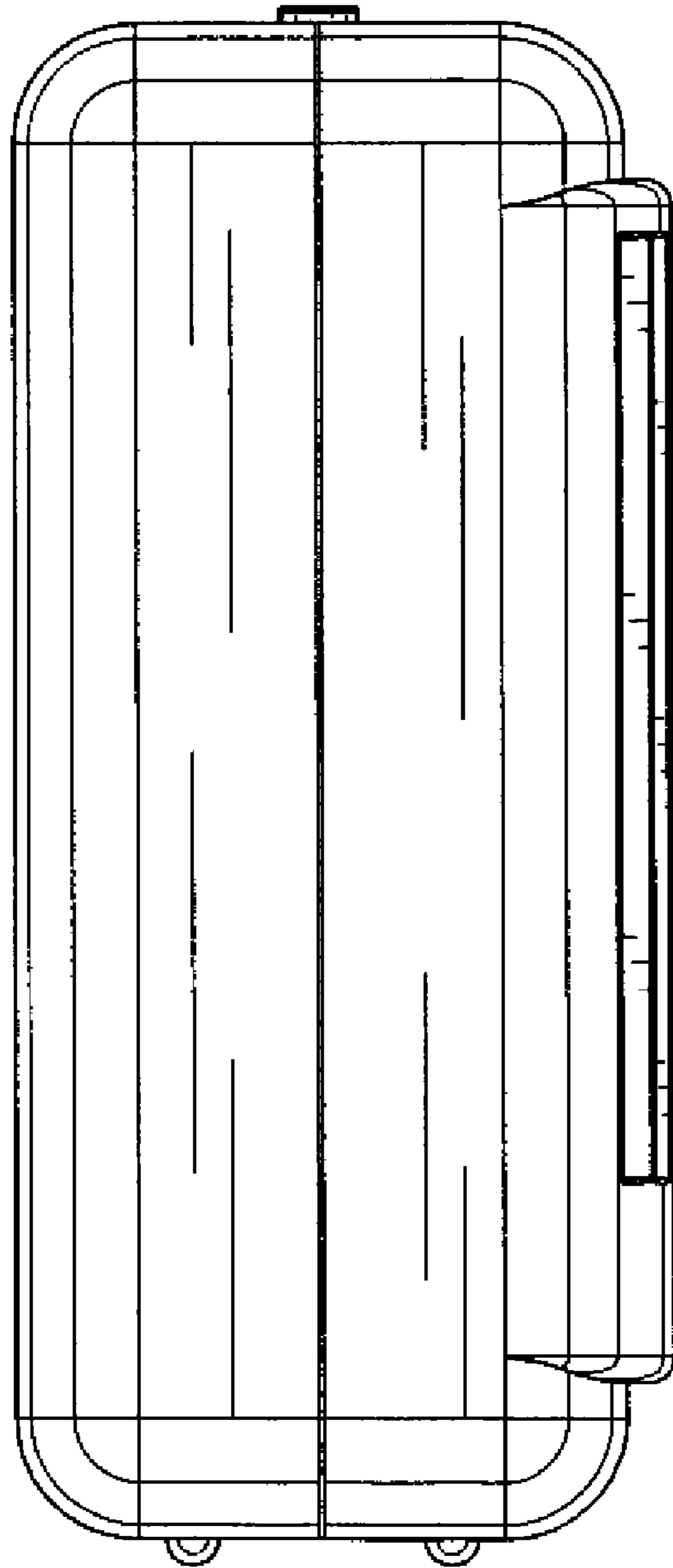


FIG. 4

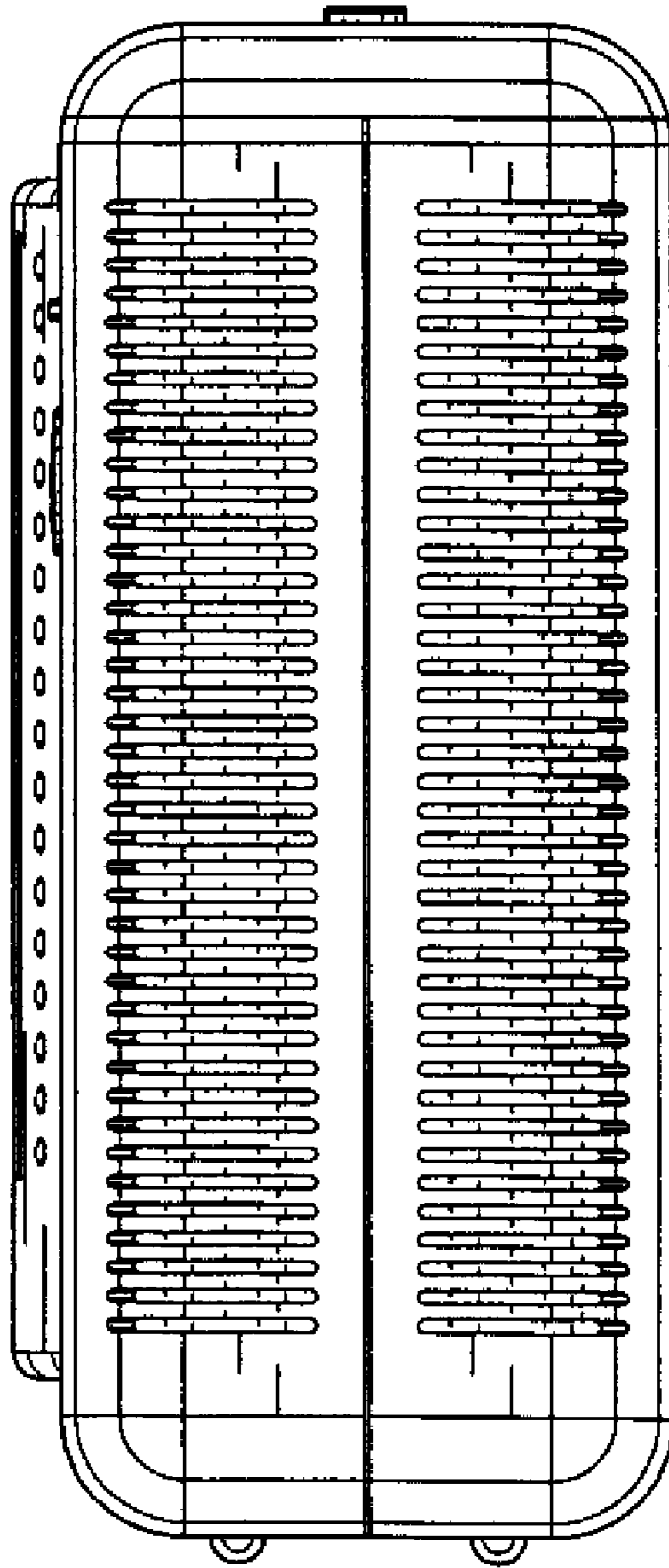


FIG. 5

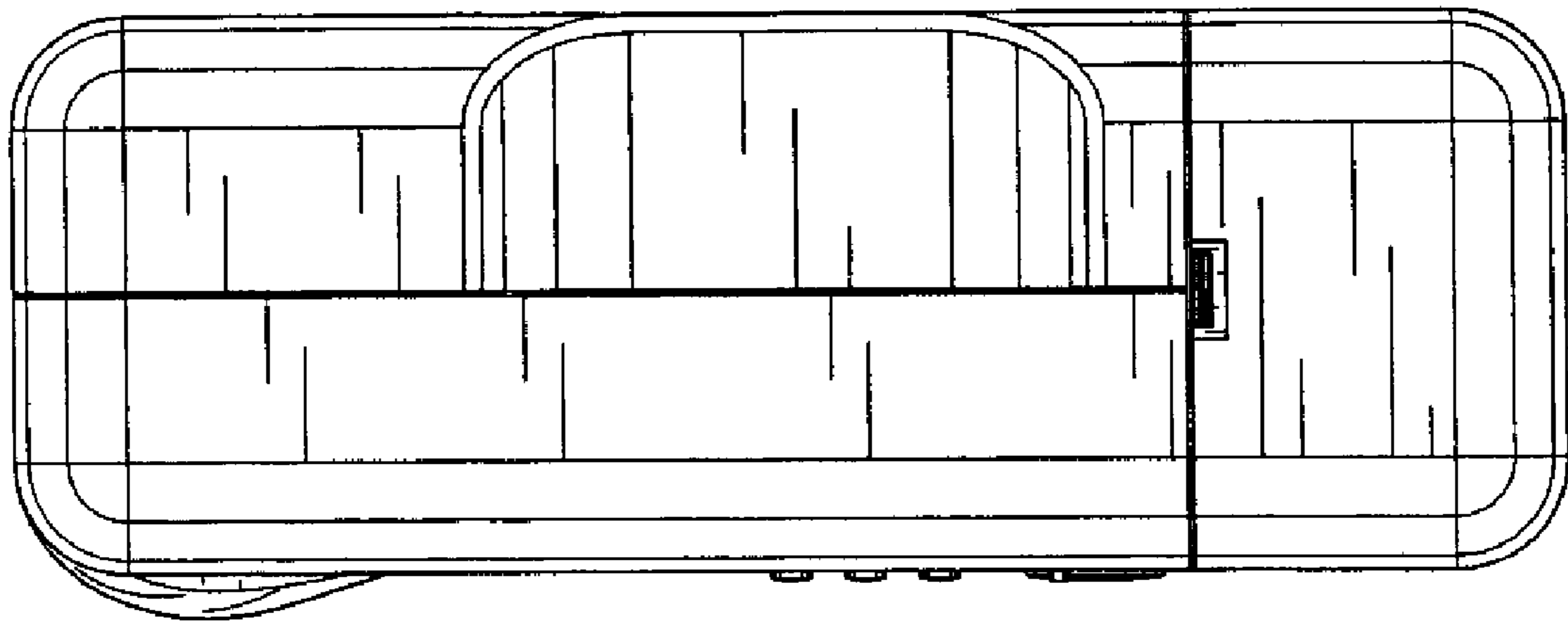


FIG. 6

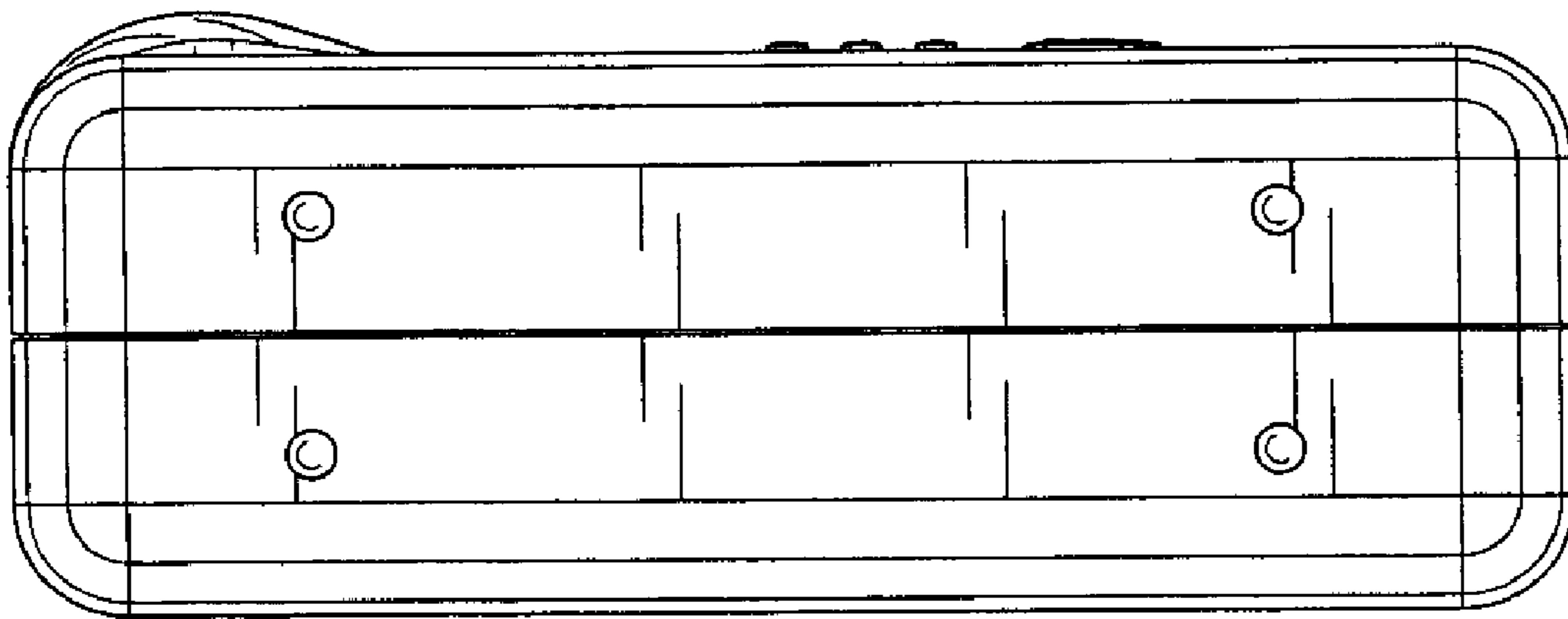


FIG. 7