



US00D573703S

(12) **United States Design Patent**  
**Gosselin et al.**

(10) **Patent No.:** **US D573,703 S**

(45) **Date of Patent:** **\*\* Jul. 22, 2008**

(54) **HEATER**

(75) Inventors: **William H. Gosselin**, York, ME (US);  
**Jonathan B. Arold**, Exeter, NH (US);  
**Joseph P. Stark**, Newfields, NH (US)

(73) Assignee: **Osram Sylvania Inc.**, Danvers, MA  
(US)

(\*\*) Term: **14 Years**

(21) Appl. No.: **29/284,563**

(22) Filed: **Sep. 11, 2007**

(51) **LOC (8) Cl.** ..... **23-03**

(52) **U.S. Cl.** ..... **D23/335; D23/332**

(58) **Field of Classification Search** ..... D23/314,  
D23/323, 328, 330, 332-350, 386; 392/465,  
392/497, 501; 165/163, 157; 126/304 R,  
126/305, 306

See application file for complete search history.

(56) **References Cited**

U.S. PATENT DOCUMENTS

D105,364 S \* 7/1937 Herr ..... D23/416  
D105,382 S \* 7/1937 Herr ..... D23/416  
D105,999 S \* 9/1937 Morgan ..... D23/416

2,466,237 A \* 4/1949 Heiman ..... 392/365  
D163,671 S \* 6/1951 Beckett ..... D23/416  
D264,500 S \* 5/1982 Beaton ..... D23/342  
D269,116 S \* 5/1983 Armbruster ..... D23/328  
D372,524 S \* 8/1996 Tonini ..... D23/342  
D409,737 S \* 5/1999 Nilsson ..... D23/332  
6,669,556 B2 \* 12/2003 Gautney ..... 454/338

\* cited by examiner

*Primary Examiner*—Louis S Zarfaz

*Assistant Examiner*—Eric L Goodman

(74) *Attorney, Agent, or Firm*—Robert F. Clark

(57) **CLAIM**

The ornamental design for a heater, as shown and described.

**DESCRIPTION**

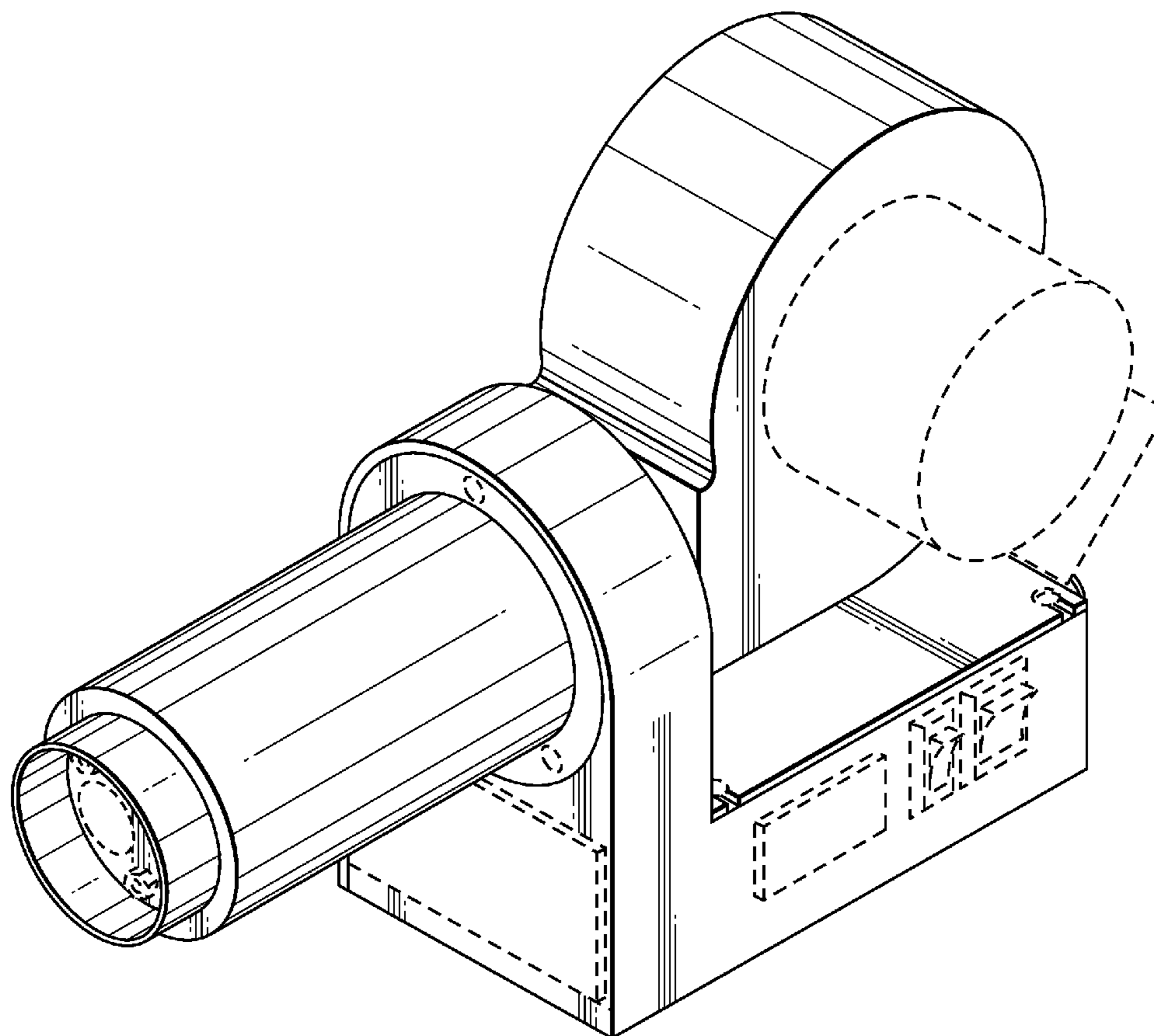
FIG. 1 is a perspective view of the ornamental design for a heater.

FIG. 2 is a side view of the ornamental design for a heater; and,

FIG. 3 is an opposite side view of the ornamental design for a heater.

The broken lines showing in the Figures are environmental and form no part of the claimed design.

**1 Claim, 3 Drawing Sheets**



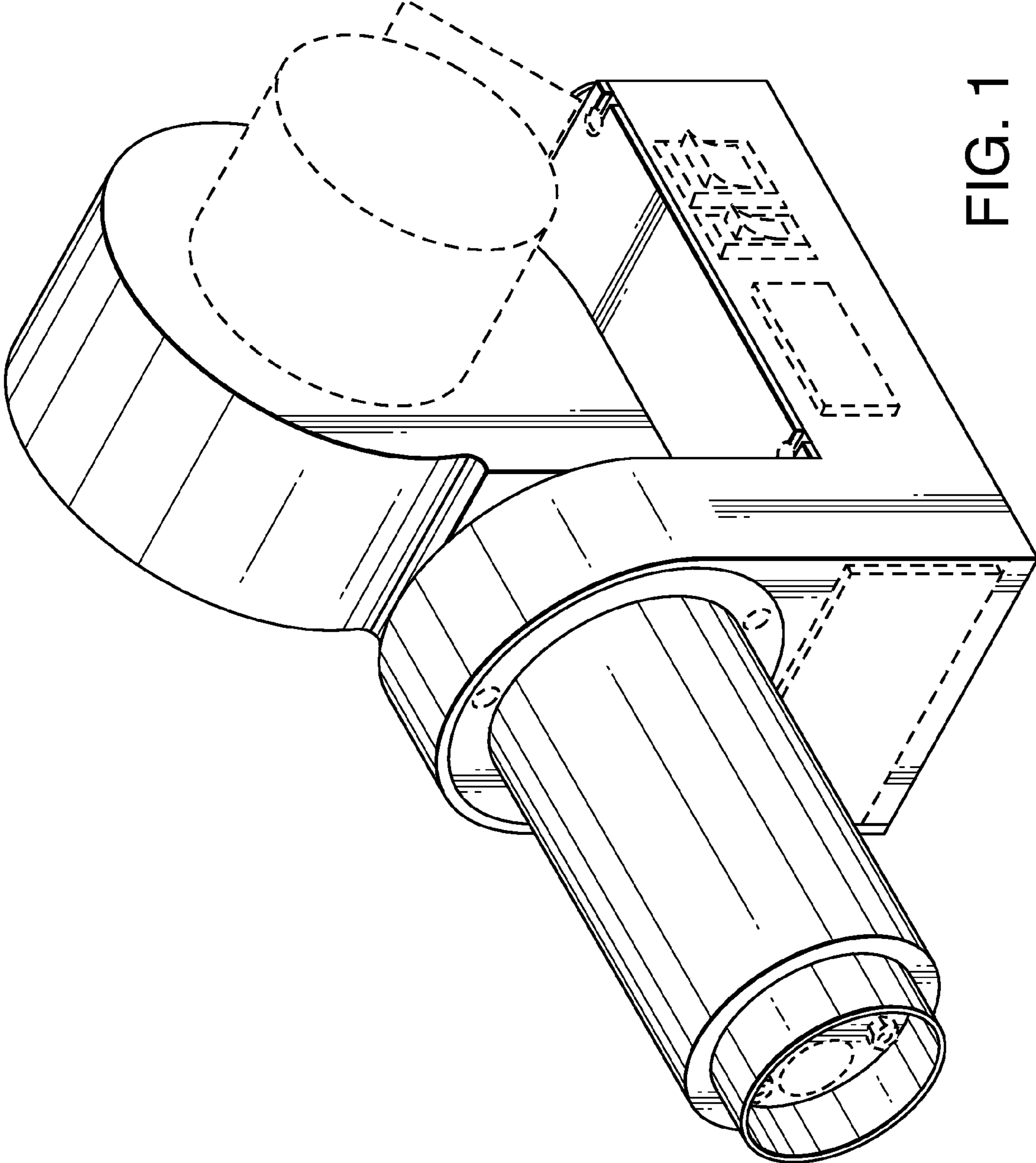


FIG. 1

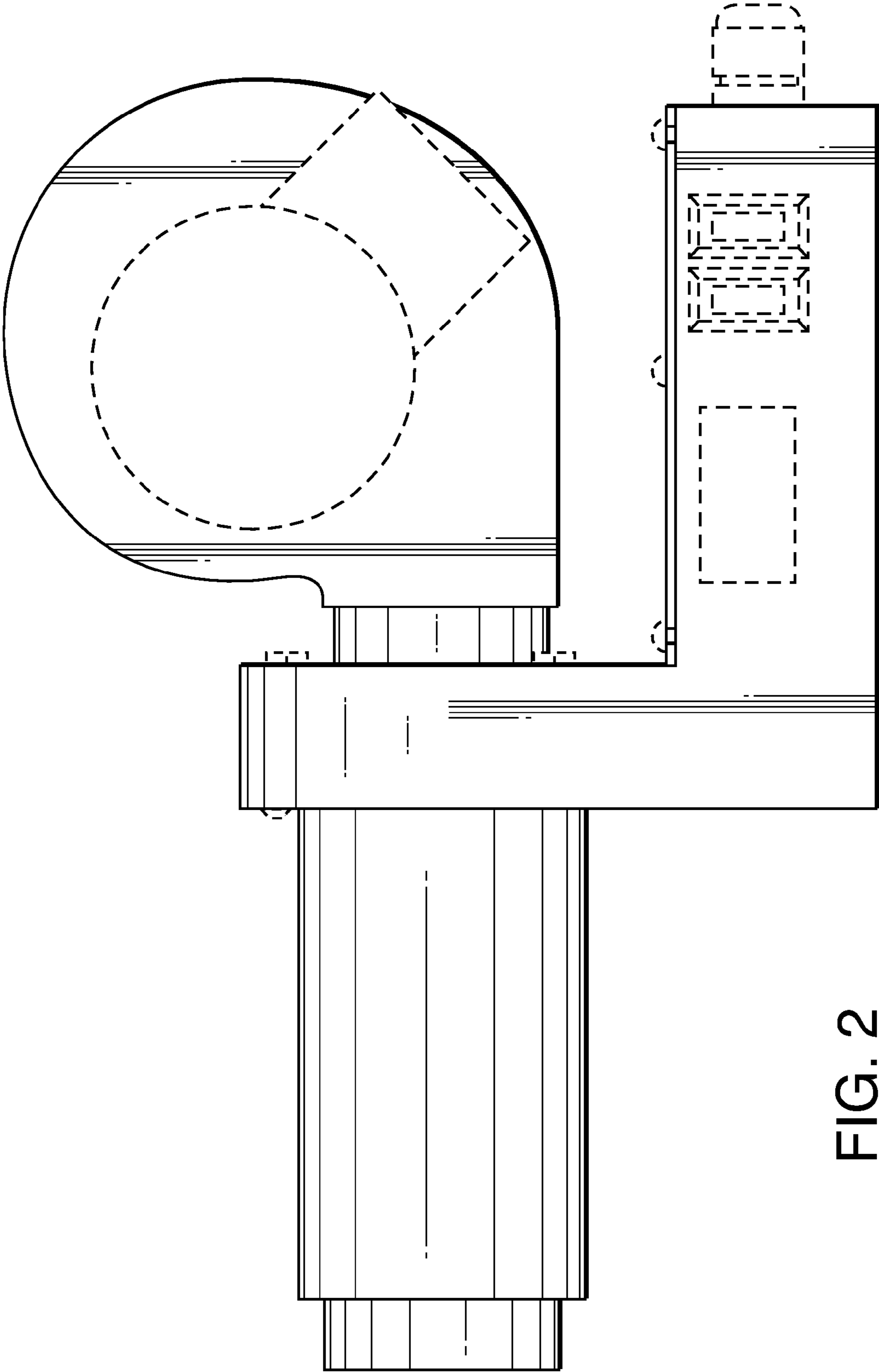


FIG. 2

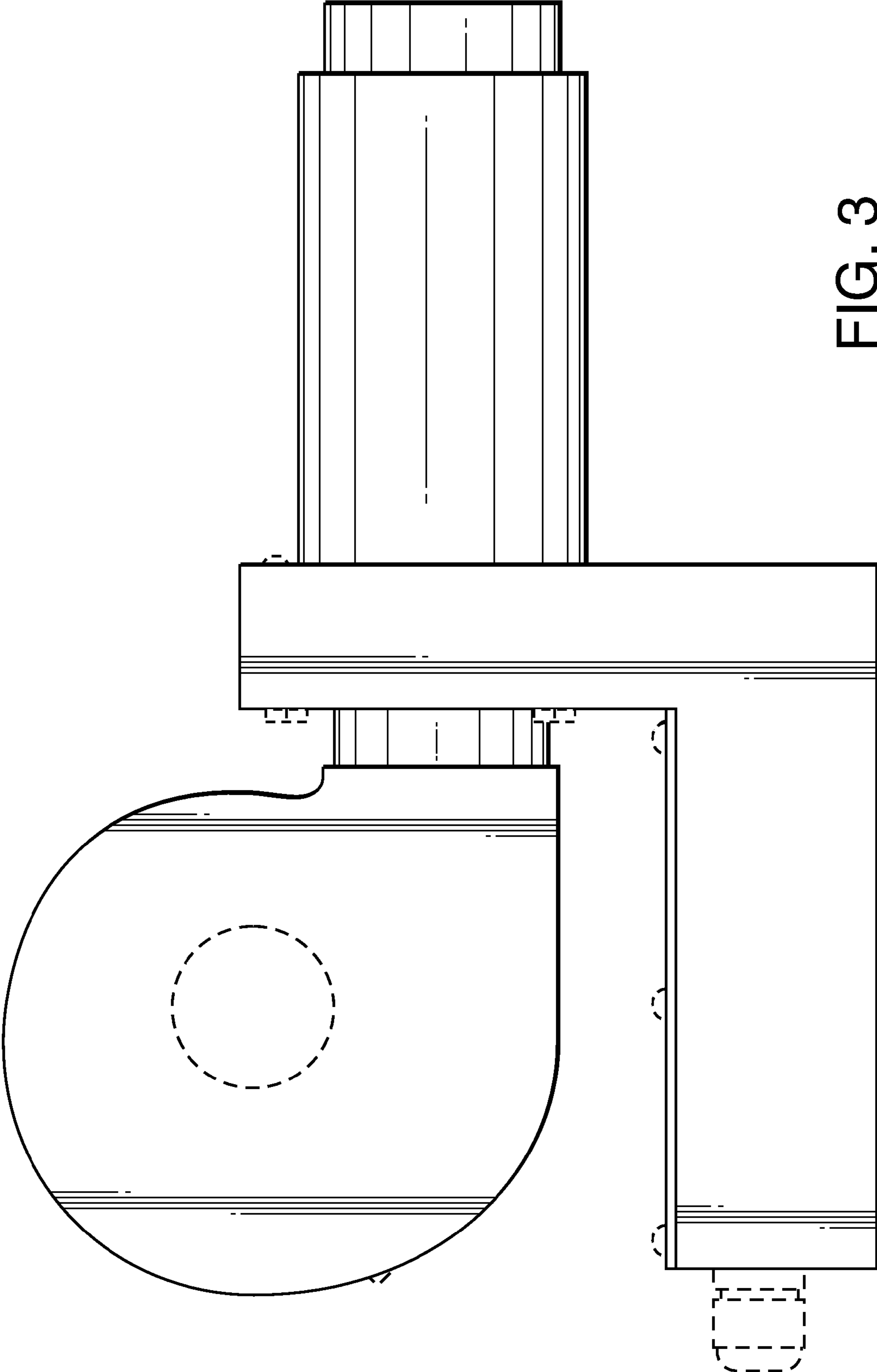


FIG. 3