



US00D573701S

(12) **United States Design Patent**
Rachiele

(10) **Patent No.:** **US D573,701 S**
(45) **Date of Patent:** **** Jul. 22, 2008**

(54) **KITCHEN SINK**

D497,201 S * 10/2004 Rachiele D23/293.1

(76) Inventor: **Dino F. Rachiele**, 2611 Concourse Rd.,
Apopka, FL (US) 32703

* cited by examiner

Primary Examiner—Robert A Delehanty
(74) *Attorney, Agent, or Firm*—William M. Hobby, III

(**) Term: **14 Years**

(21) Appl. No.: **29/294,389**

(57) **CLAIM**

(22) Filed: **Jan. 10, 2008**

The ornamental design for a kitchen sink, as shown and described.

Related U.S. Application Data

DESCRIPTION

(62) Division of application No. 29/273,103, filed on Feb. 27, 2007, now Pat. No. Des. 564,078.

FIG. 1 is a front right side perspective view of a second embodiment of my new kitchen sink;

(51) **LOC (8) Cl.** **23-01**

(52) **U.S. Cl.** **D23/284**

FIG. 2 is a front elevation of the kitchen sink of FIG. 1;

(58) **Field of Classification Search** D23/271–274,
D23/284–293.1, 303, 308; 4/619, 624, 661

FIG. 3 is a rear elevation of the kitchen of FIG. 1;

See application file for complete search history.

FIG. 4 is a right side elevation of the kitchen sink of FIG. 1;

FIG. 5 is a left side elevation of the kitchen sink of FIG. 1;

FIG. 6 is a top plan view of the kitchen sink of FIG. 1; and,

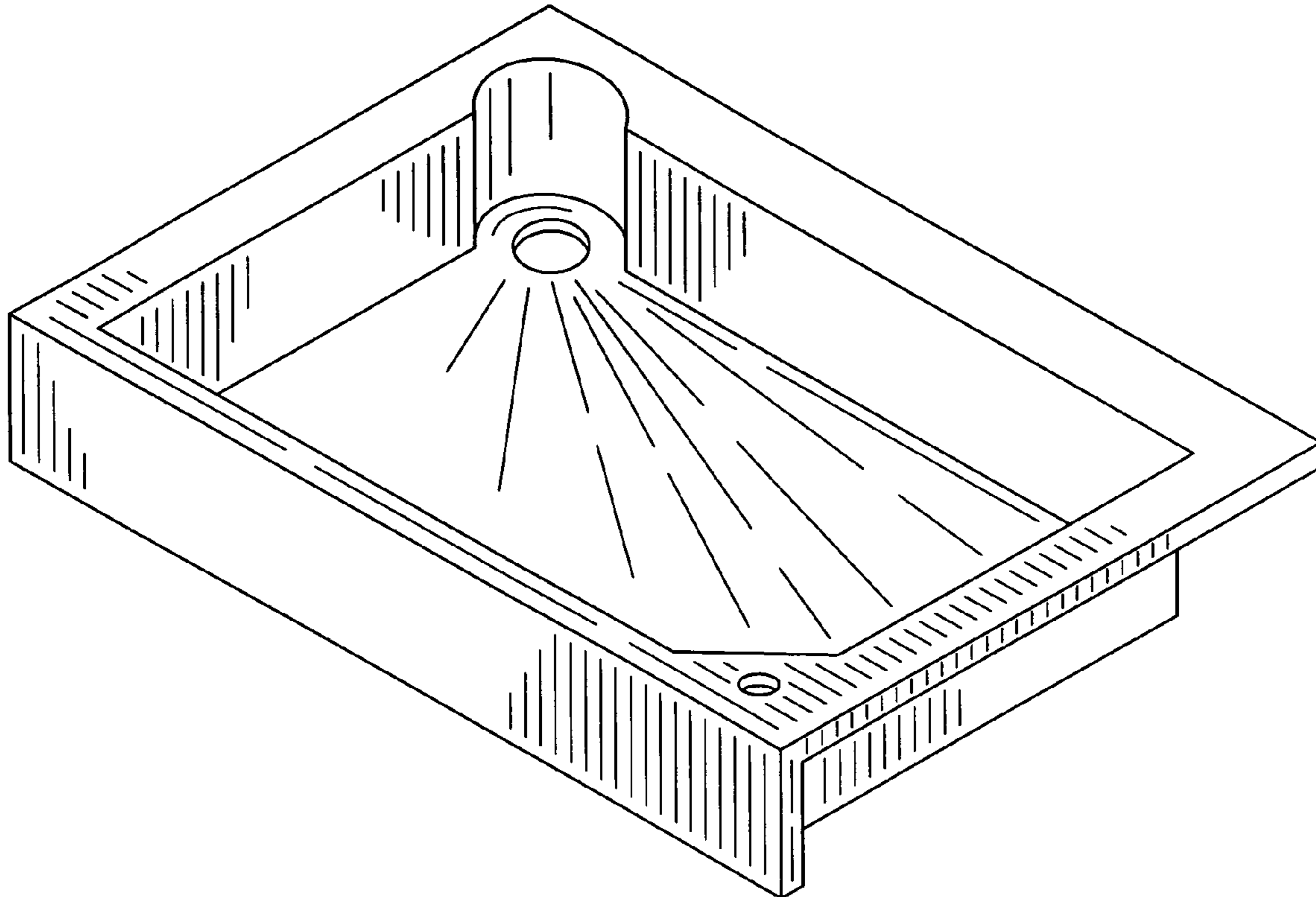
FIG. 7 is a bottom plan view of the kitchen sink of FIG. 1.

(56) **References Cited**

U.S. PATENT DOCUMENTS

D337,377 S * 7/1993 Bonnell et al. D23/284

1 Claim, 2 Drawing Sheets



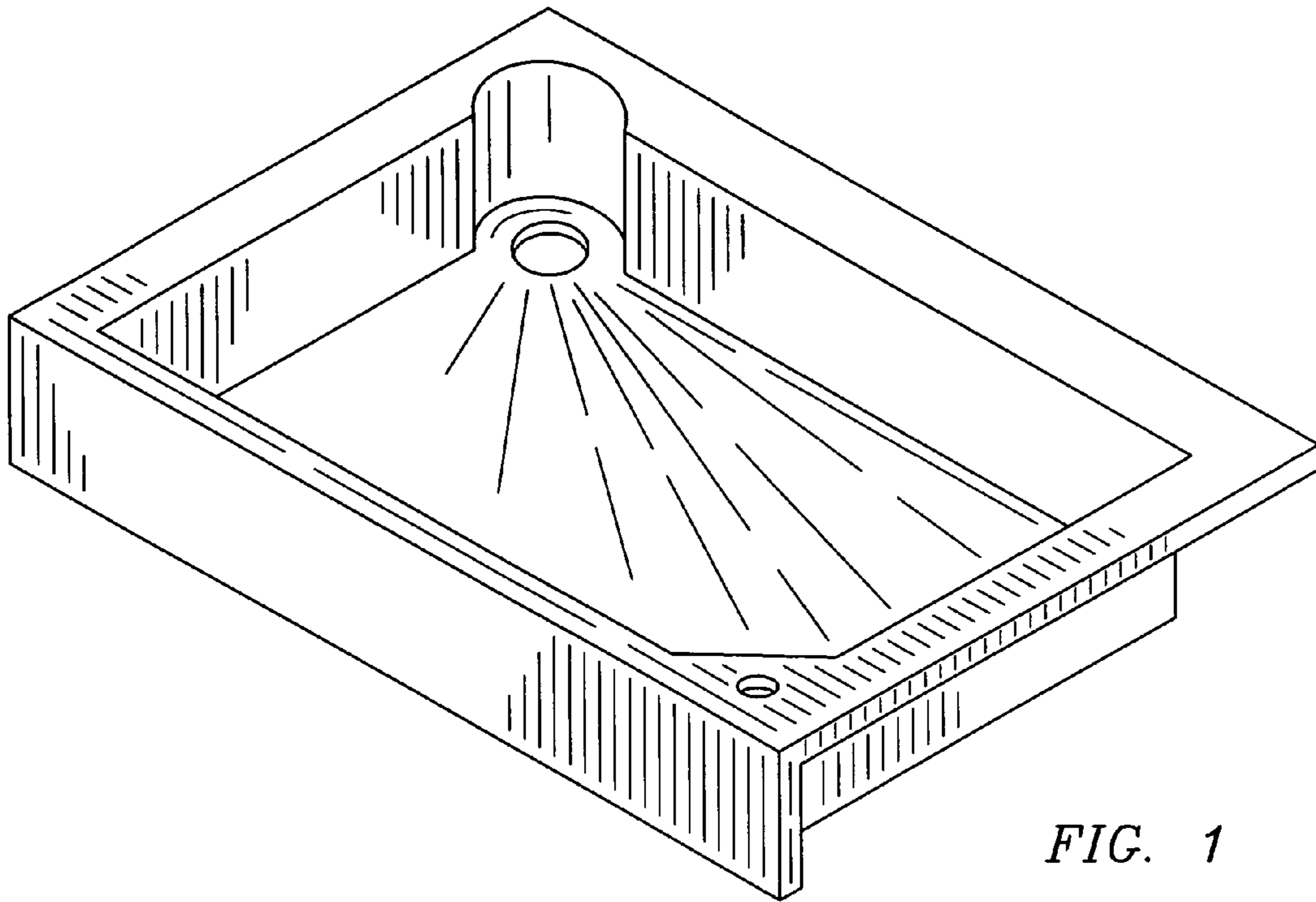


FIG. 1



FIG. 2

FIG. 3

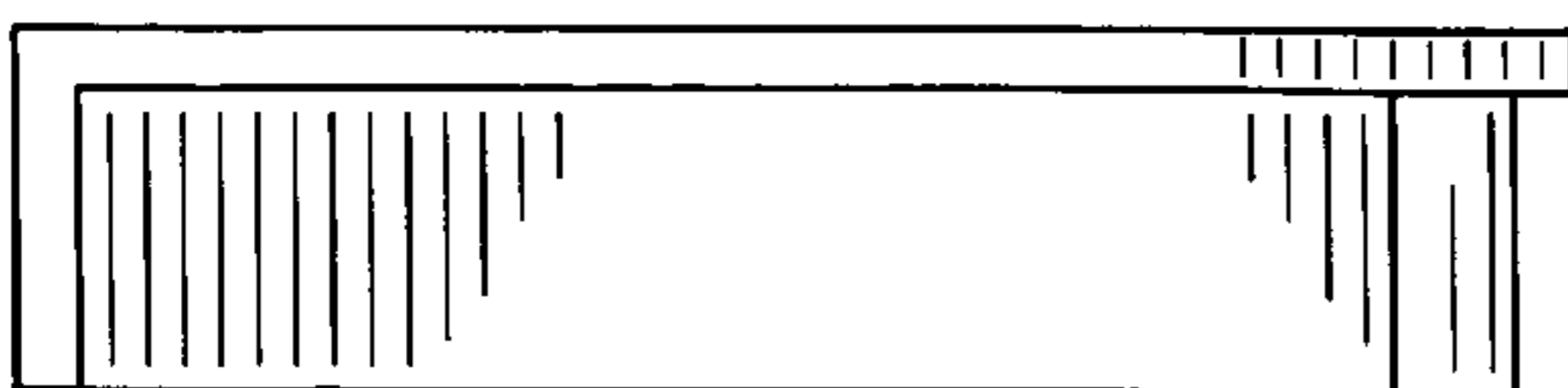
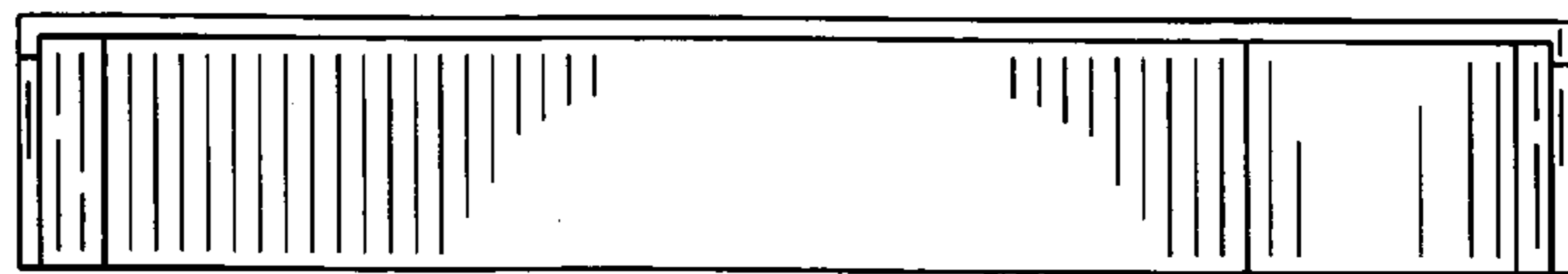


FIG. 4

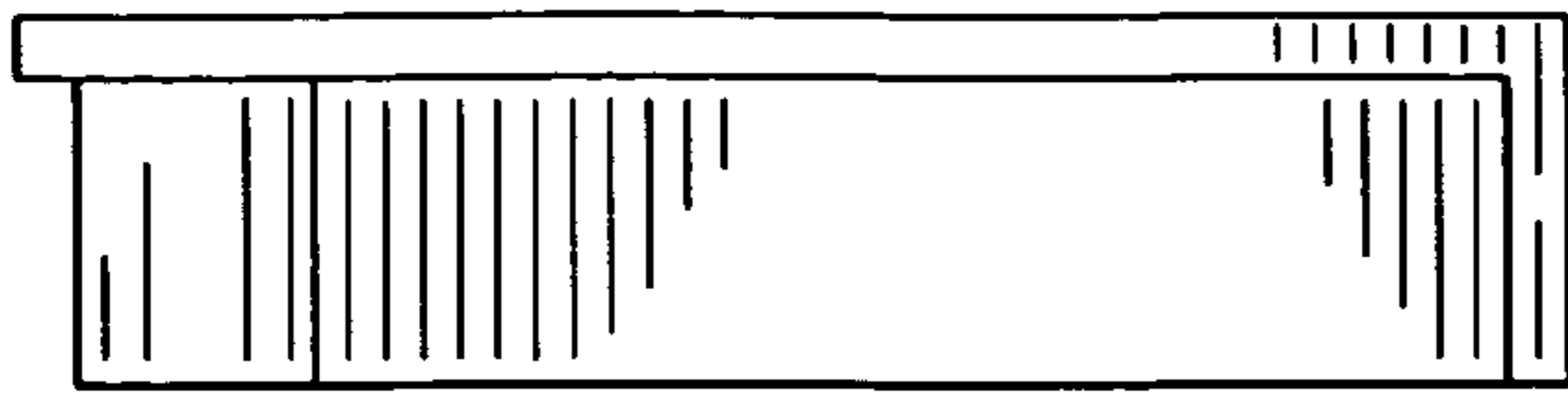


FIG. 5

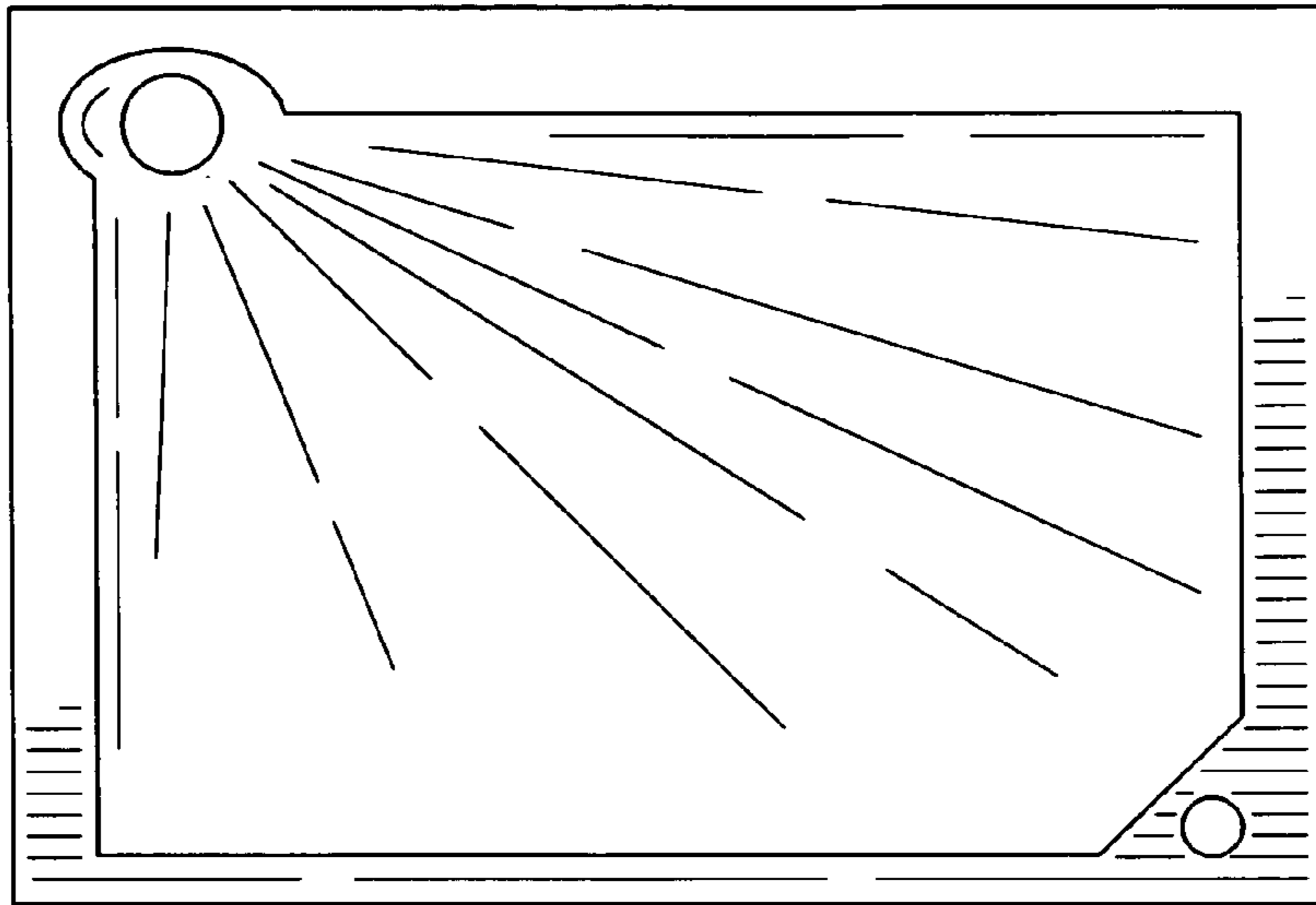


FIG. 6

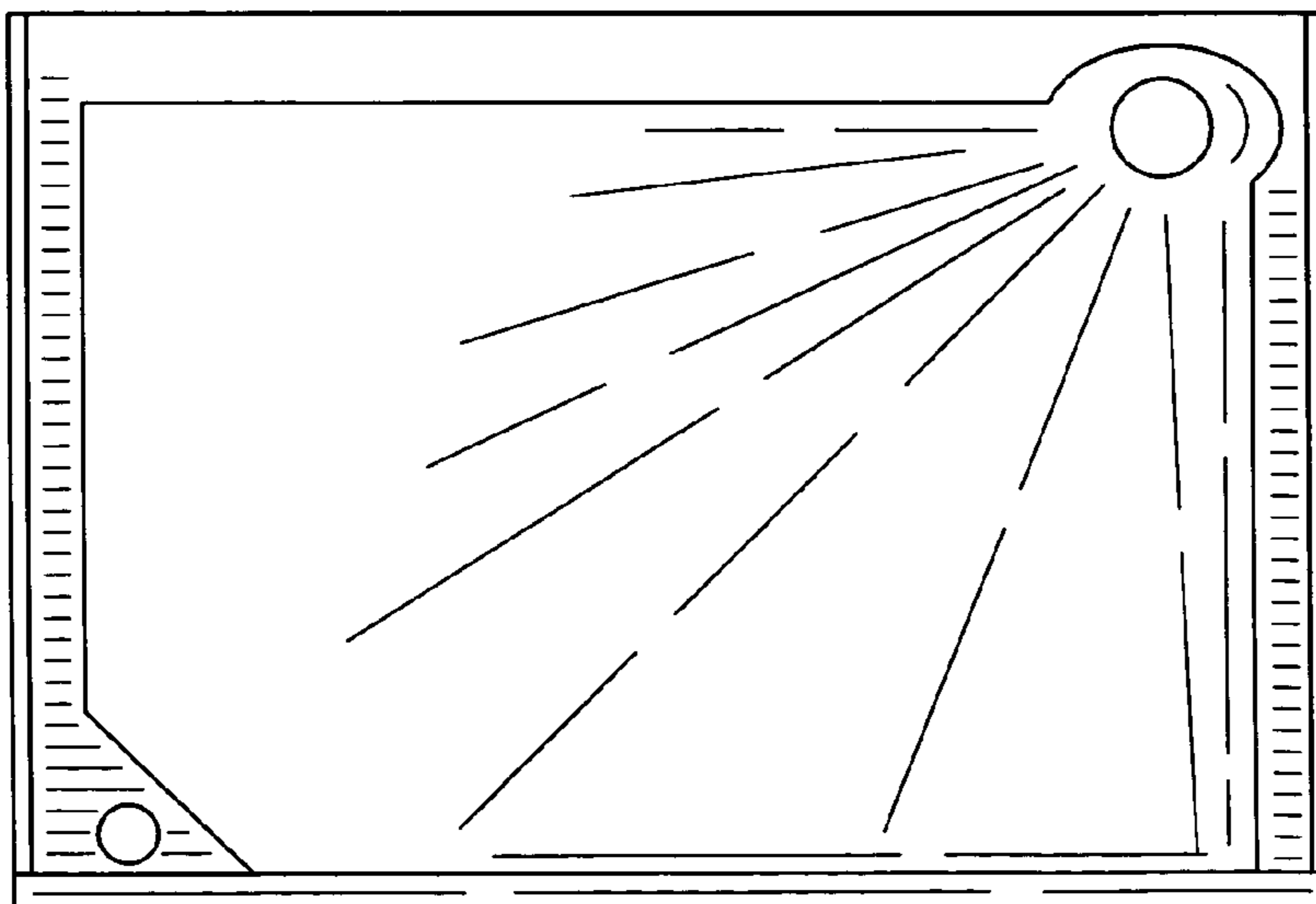


FIG. 7