



US00D573698S

(12) **United States Design Patent**
Downey

(10) **Patent No.:** **US D573,698 S**
(45) **Date of Patent:** **** Jul. 22, 2008**

(54) **FAUCET BODY**
(75) Inventor: **David R. Downey**, Garden Grove, CA (US)
(73) Assignee: **Newfrey LLC**, Newark, DE (US)
(**) Term: **14 Years**
(21) Appl. No.: **29/273,631**
(22) Filed: **Mar. 9, 2007**
(51) **LOC (8) Cl.** **23-02**
(52) **U.S. Cl.** **D23/257**
(58) **Field of Classification Search** D23/250-257, D23/238-243, 244-249; 4/675-678; D8/300, D8/307-308, 310-312, 321; D6/550; 137/801; 16/110.1, 441

D461,540 S 8/2002 Gottwald
D463,531 S 9/2002 Gottwald
D463,535 S 9/2002 Singtoroj
D465,011 S 10/2002 Singtoroj et al.
D465,829 S 11/2002 Singtoroj
D466,590 S 12/2002 Otero et al.
D466,980 S 12/2002 Pitsch et al.
D466,981 S 12/2002 Cosolito et al.
D469,505 S 1/2003 Marshall
D469,511 S 1/2003 Marshall
D469,513 S 1/2003 Marshall
D469,852 S 2/2003 Marshall
D471,254 S 3/2003 Bonnell et al.
D472,308 S 3/2003 Hundley
D472,607 S 4/2003 Warshawsky et al.
D486,563 S 2/2004 Hsieh
D487,135 S 2/2004 Lord
D487,798 S 3/2004 Bayer

See application file for complete search history.

(Continued)

(56) **References Cited**
U.S. PATENT DOCUMENTS

D279,598 S * 7/1985 Rademacher D23/255
D291,236 S 8/1987 Delepine
D295,550 S 5/1988 Yost
D296,354 S 6/1988 Fabian
D300,653 S 4/1989 Paul
D318,901 S 8/1991 Rodstein
D323,700 S 2/1992 Wilde
D329,688 S 9/1992 Yost
D349,757 S 8/1994 Altman
D373,179 S 8/1996 Sieger
D397,423 S 8/1998 Short et al.
D404,467 S 1/1999 Doughty et al.
D406,877 S 3/1999 Esche et al.
D408,505 S 4/1999 Garcia
D409,726 S 5/1999 Formgren
D415,825 S 10/1999 Chang et al.
D416,982 S 11/1999 Warshawsky et al.
D422,342 S 4/2000 Mark et al.
D426,618 S 6/2000 Mark et al.
D428,965 S 8/2000 Slothower
D448,065 S 9/2001 Pitsch et al.
D448,453 S 9/2001 Lord
D460,150 S 7/2002 Rexach

Primary Examiner—Robert A Delehanty
(74) *Attorney, Agent, or Firm*—Richard J. Veltman

(57) **CLAIM**

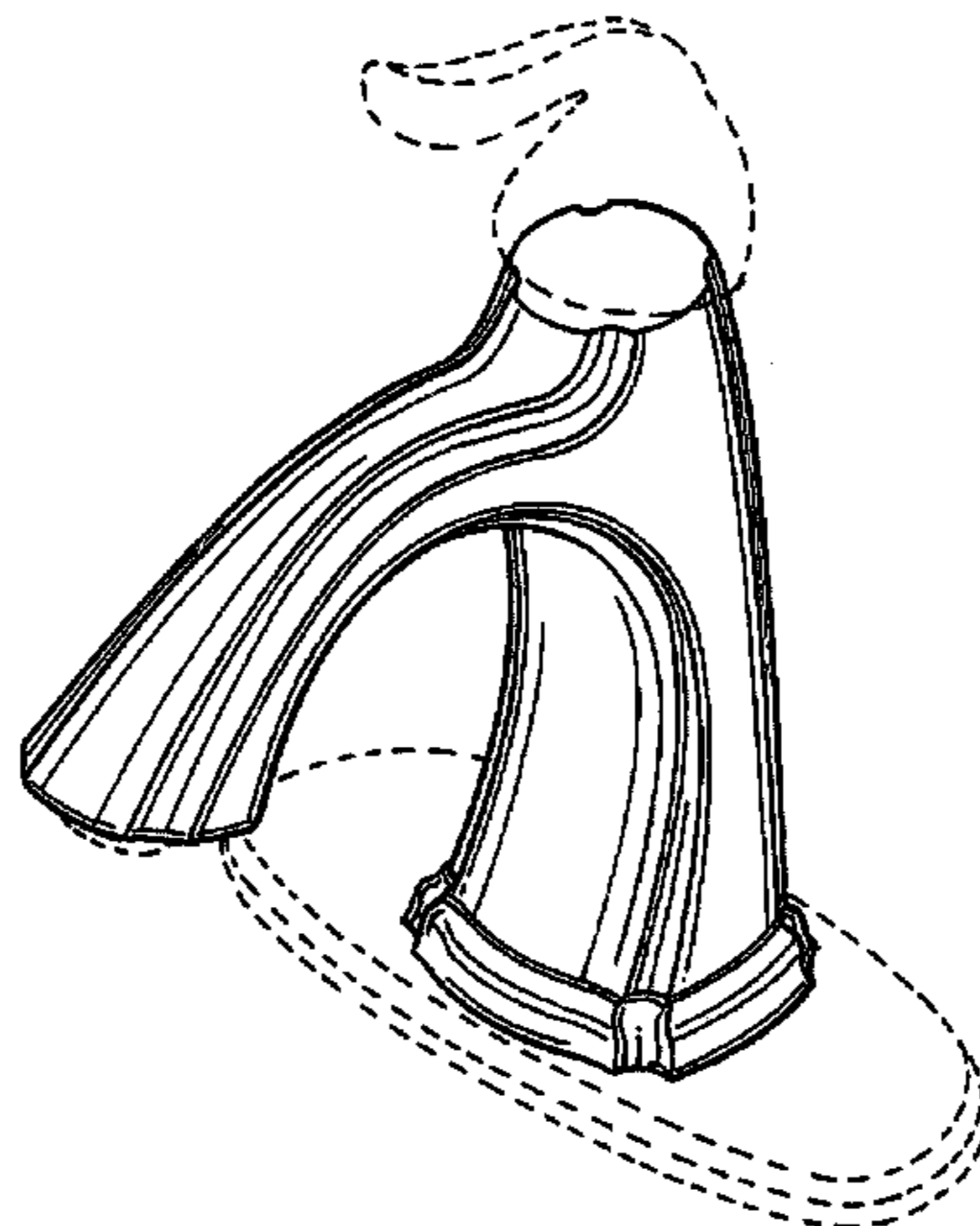
The ornamental design for a faucet body, as shown and described.

DESCRIPTION

FIG. 1 is a perspective view of a faucet body showing a new design;
FIG. 2 is a front view thereof;
FIG. 3 is a back view thereof;
FIG. 4 is a top view thereof;
FIG. 5 is a bottom view thereof; and,
FIG. 6 is a right side view thereof (the left side view being a mirror image) thereof.

The broken lines in the Figures are for illustrative purposes only and form no part of the claimed design.

1 Claim, 5 Drawing Sheets



US D573,698 S

Page 2

U.S. PATENT DOCUMENTS

D487,922 S	3/2004	Lord		D516,681 S	3/2006	Gilbert
D488,210 S	4/2004	Lord		D517,653 S	3/2006	Ito
D490,880 S *	6/2004	Lin	D23/255	D518,149 S	3/2006	Spangler
D492,391 S	6/2004	Herbeau		D518,151 S	3/2006	Ito
D493,867 S	8/2004	Shahar		D518,558 S	4/2006	Soriano
D503,777 S	4/2005	Costello et al.		D519,190 S	4/2006	Lord
D508,975 S	8/2005	Painter et al.		D519,607 S	4/2006	Spangler
D510,126 S	9/2005	Ouyoung		D519,610 S	4/2006	Fritz
D510,416 S	10/2005	Fritz		D519,611 S	4/2006	Fritz
D510,977 S	10/2005	Jones		D520,601 S	5/2006	Fritz
D510,980 S	10/2005	Fritz		D520,609 S	5/2006	Spangler
D511,560 S	11/2005	Kulig et al.		D521,109 S	5/2006	Lord
D512,126 S	11/2005	Blomstrom		D521,112 S	5/2006	Fritz
D512,485 S	12/2005	Kulig		D521,602 S	5/2006	En-Min et al.
D513,060 S	12/2005	Ouyoung		D523,535 S	6/2006	Fritz
D513,526 S	1/2006	Marshall		D525,348 S	7/2006	Schaffeld et al.
D513,788 S	1/2006	Lindholm		D525,682 S	7/2006	Gilbert
D515,669 S	2/2006	Ying-Hui et al.		D526,391 S	8/2006	Schaffeld et al.
D516,177 S	2/2006	Ouyoung		D527,080 S	8/2006	Schaffeld et al.
				D549,305 S *	8/2007	Sedwick D23/255

* cited by examiner

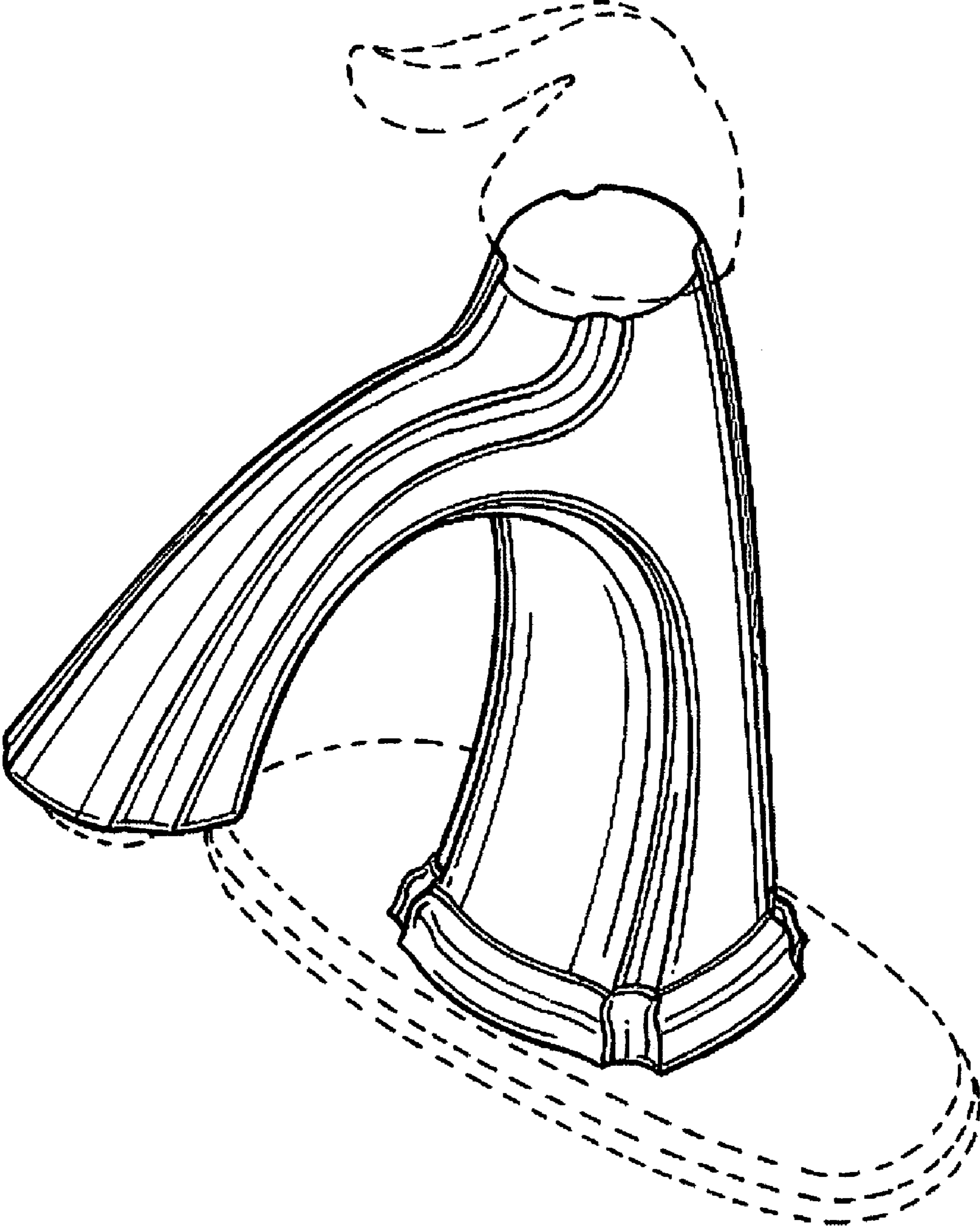


FIG. 1

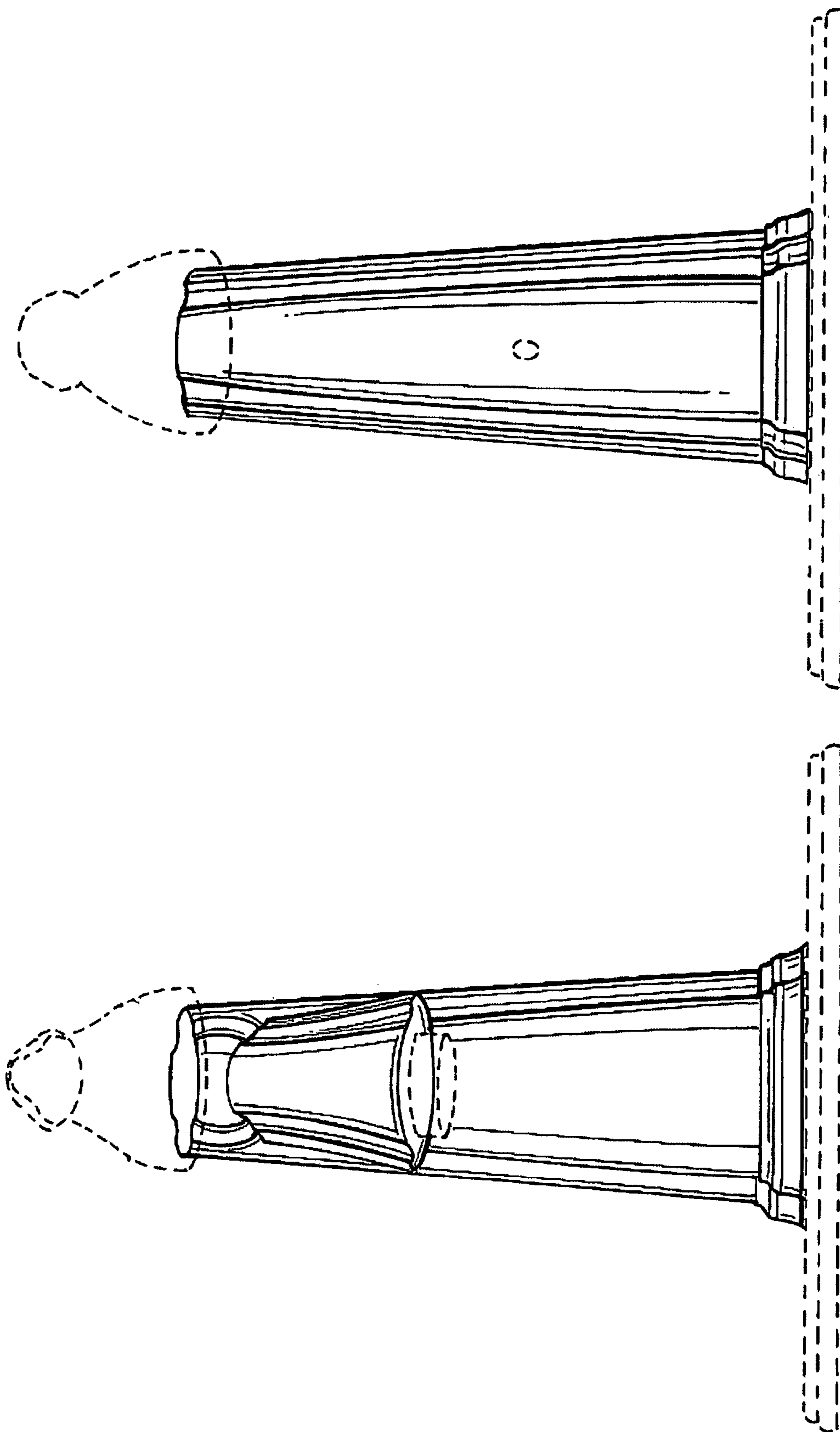


FIG. 3

FIG. 2

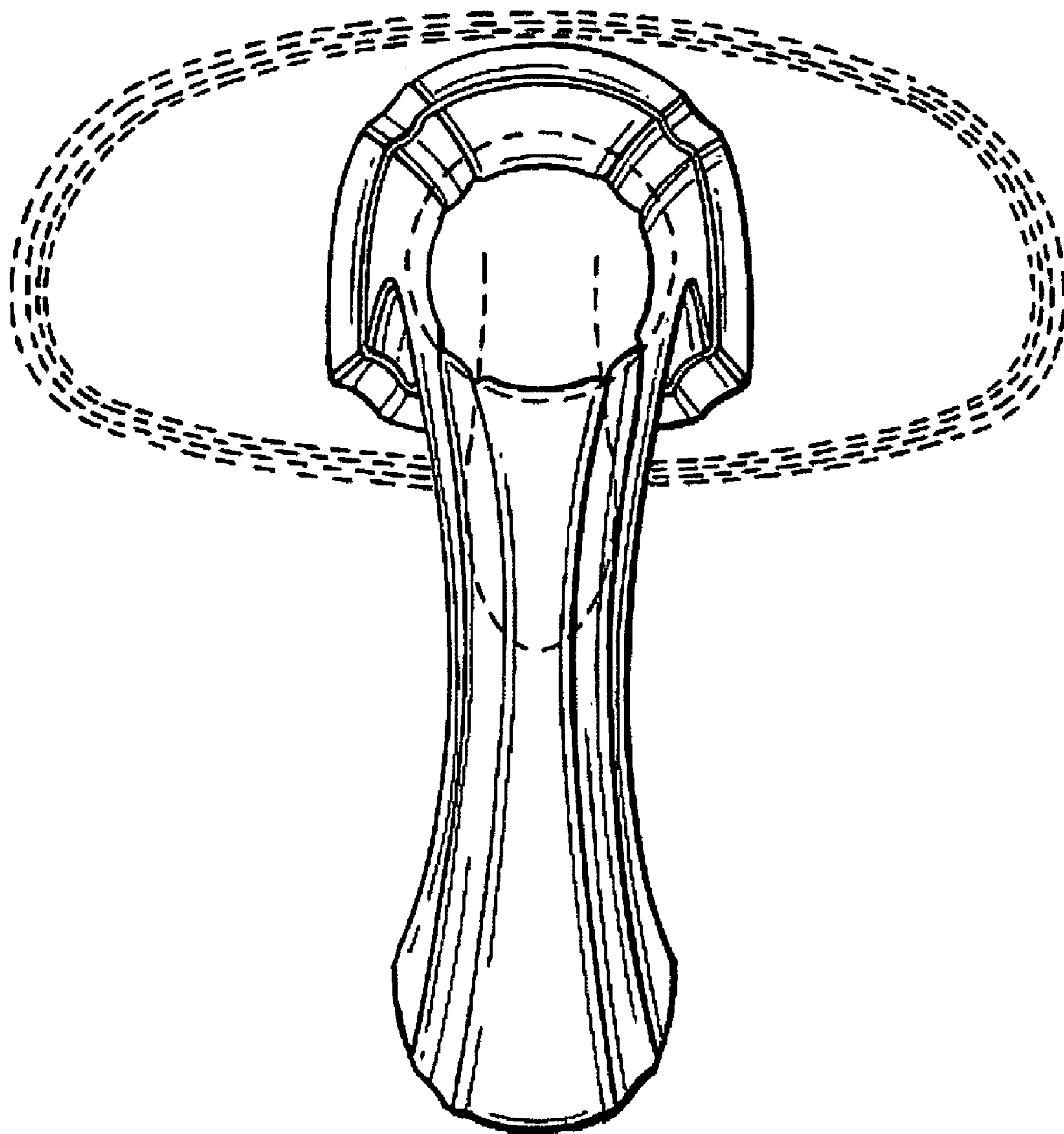


FIG. 4

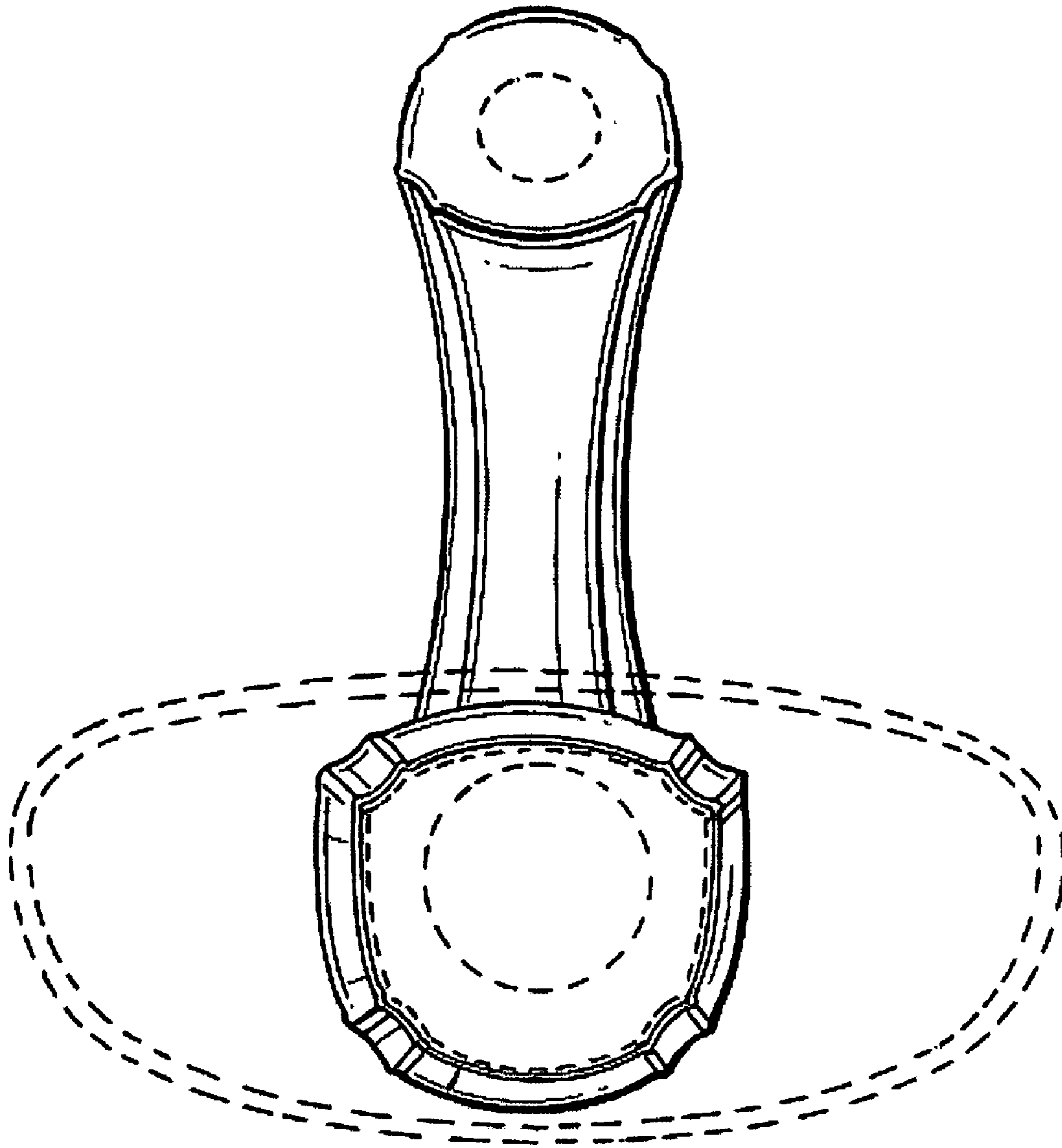


FIG. 5

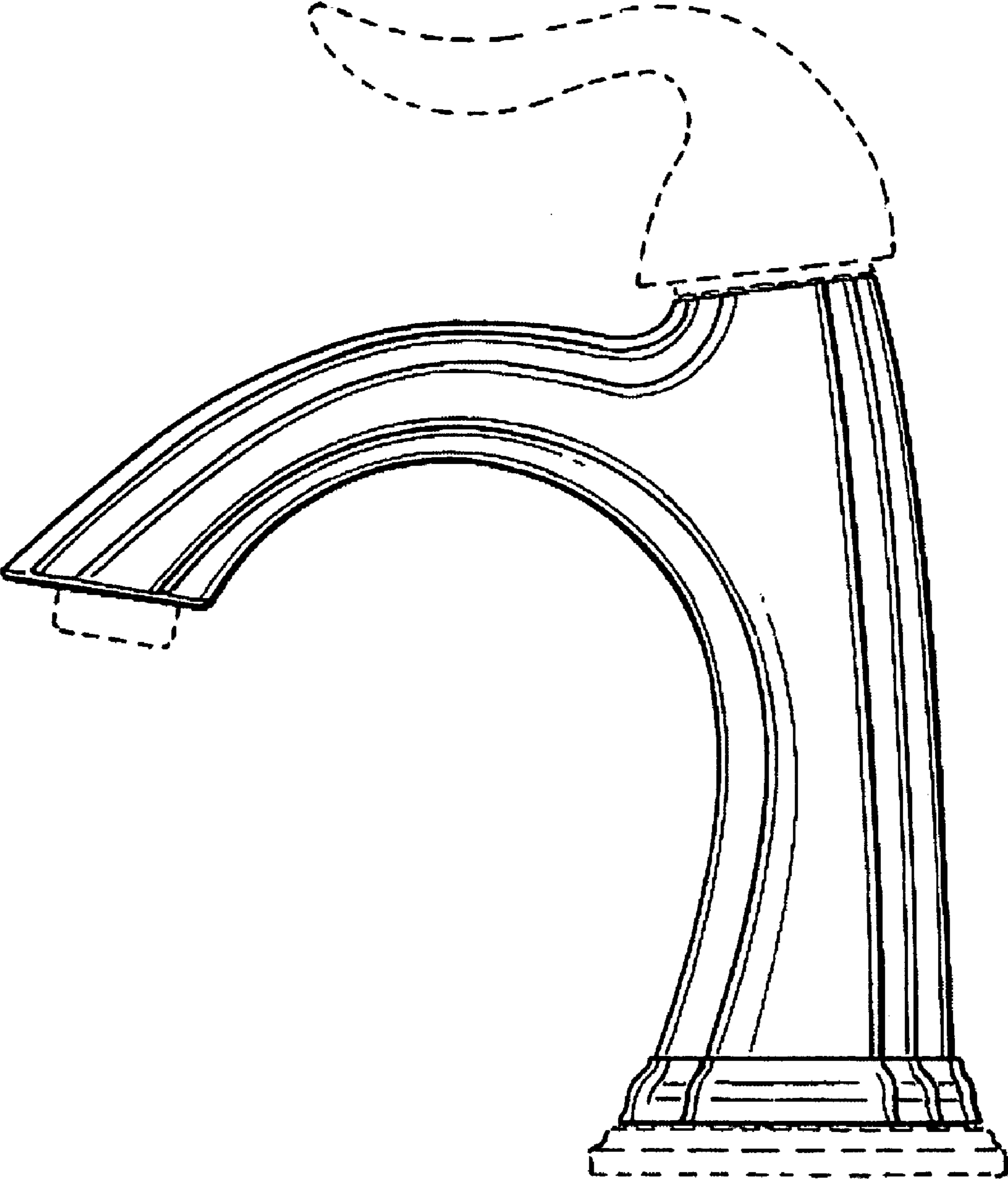


FIG. 6