



US00D573695S

(12) **United States Design Patent**  
**Rexach**

(10) **Patent No.:** **US D573,695 S**  
(45) **Date of Patent:** **\*\* Jul. 22, 2008**

- (54) **SPOUT**
  - (75) Inventor: **Rafael A. Rexach**, Kohler, WI (US)
  - (73) Assignee: **Kohler Co.**, Kohler, WI (US)
  - (\*\*) Term: **14 Years**
  - (21) Appl. No.: **29/250,585**
  - (22) Filed: **Nov. 22, 2006**
  - (51) **LOC (8) Cl.** ..... **23-02**
  - (52) **U.S. Cl.** ..... **D23/255**
  - (58) **Field of Classification Search** ..... D23/250-257,  
D23/238-243, 244-249; 4/675-678; D8/300,  
D8/307-308, 310-312, 321; D6/550; 137/801;  
16/110.1, 441
- See application file for complete search history.

(56) **References Cited**

**U.S. PATENT DOCUMENTS**

D417,262 S	11/1999	Caplow	
D508,979 S *	8/2005	Otero	D23/255
D529,589 S *	10/2006	Veltz et al.	D23/255
D546,424 S *	7/2007	Kohler et al.	D23/255

**OTHER PUBLICATIONS**

Kohler Co. "Memoirs Rite-Temp pressure balancing bath and shower faucet trim with Stately design". Model No. K-T461-3S, Kohler Co. online catalog. Copyright 2007 Kohler Co.

Kohler Co. "Pinstripe Rite-Temp pressure-balancing bath and shower faucet trim". Model No. K-T13133-4B. Kohler Co. online catalog. Copyright 2007 Kohler Co.

Grohe. "Universal Series". Model No. 13 551 000. eFaucets online catalog. No date given.

\* cited by examiner

*Primary Examiner*—Robert A Delehanty

(74) *Attorney, Agent, or Firm*—Quarles & Brady LLP

(57) **CLAIM**

The ornamental design for a spout, as shown and described.

**DESCRIPTION**

In a preferred embodiment, the nature of this product is as a plumbing fixture in the form of a spout primary useful for washing various items and/or body parts.

FIG. 1 is a right, top, front perspective view of a spout embodying my new design;

FIG. 2 is a right side elevational view thereof, the left side elevational view thereof being a mirror image of the right side shown;

FIG. 3 is a top plan view thereof;

FIG. 4 is a front elevational view thereof;

FIG. 5 is a bottom plan view thereof; and,

FIG. 6 is a rear elevational view thereof.

The broken line representations of an opening in FIGS. 4 and 5 and of rear structure in FIG. 6 are for the purpose of illustration only, and form no part of the claimed design.

**1 Claim, 3 Drawing Sheets**

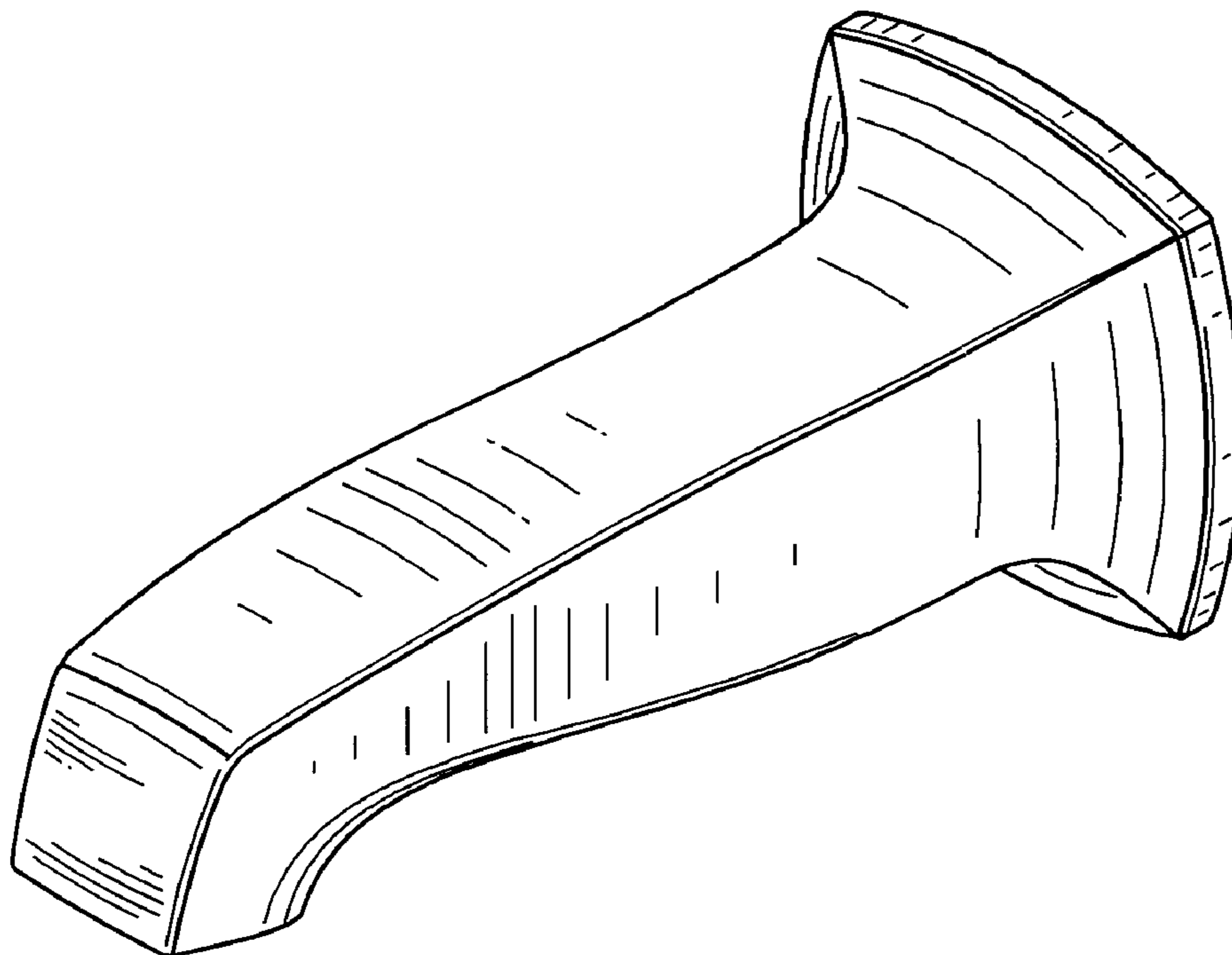


FIG. 1

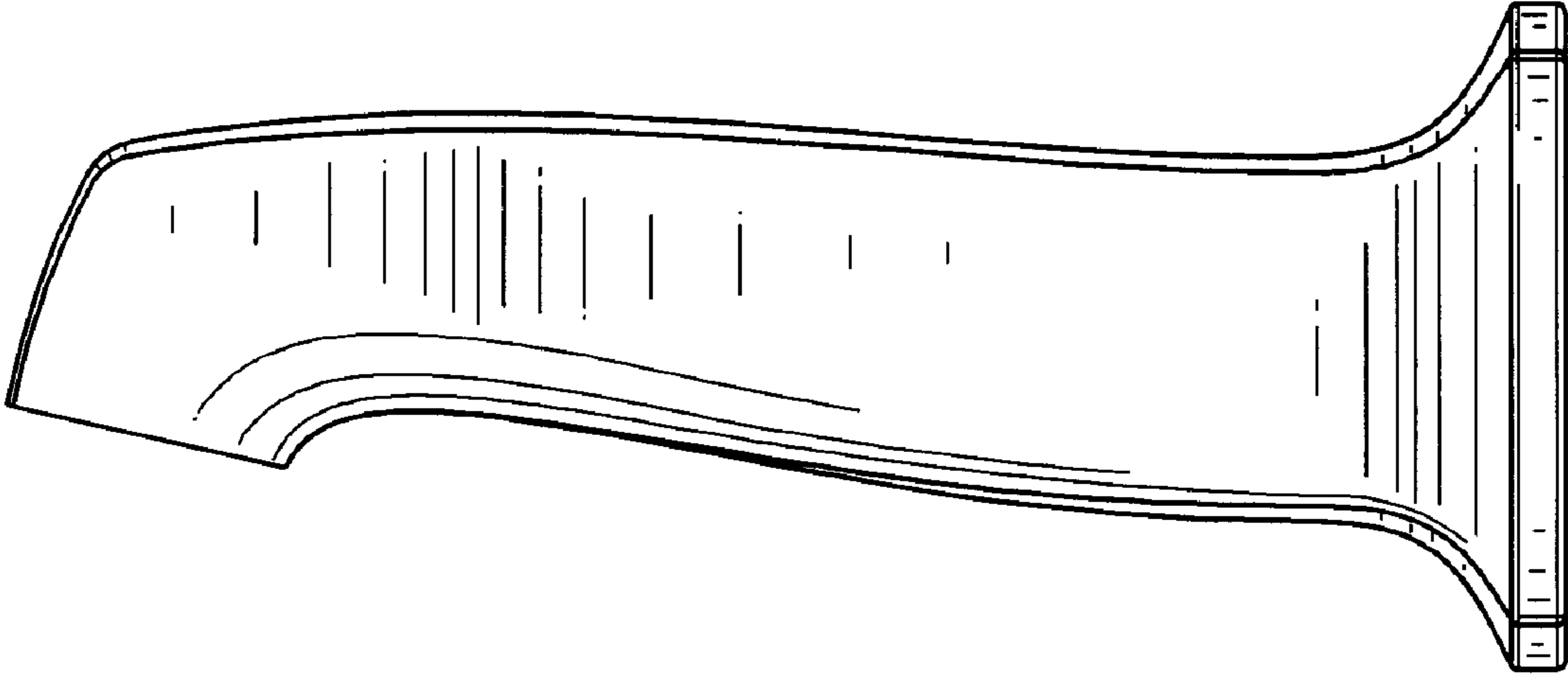
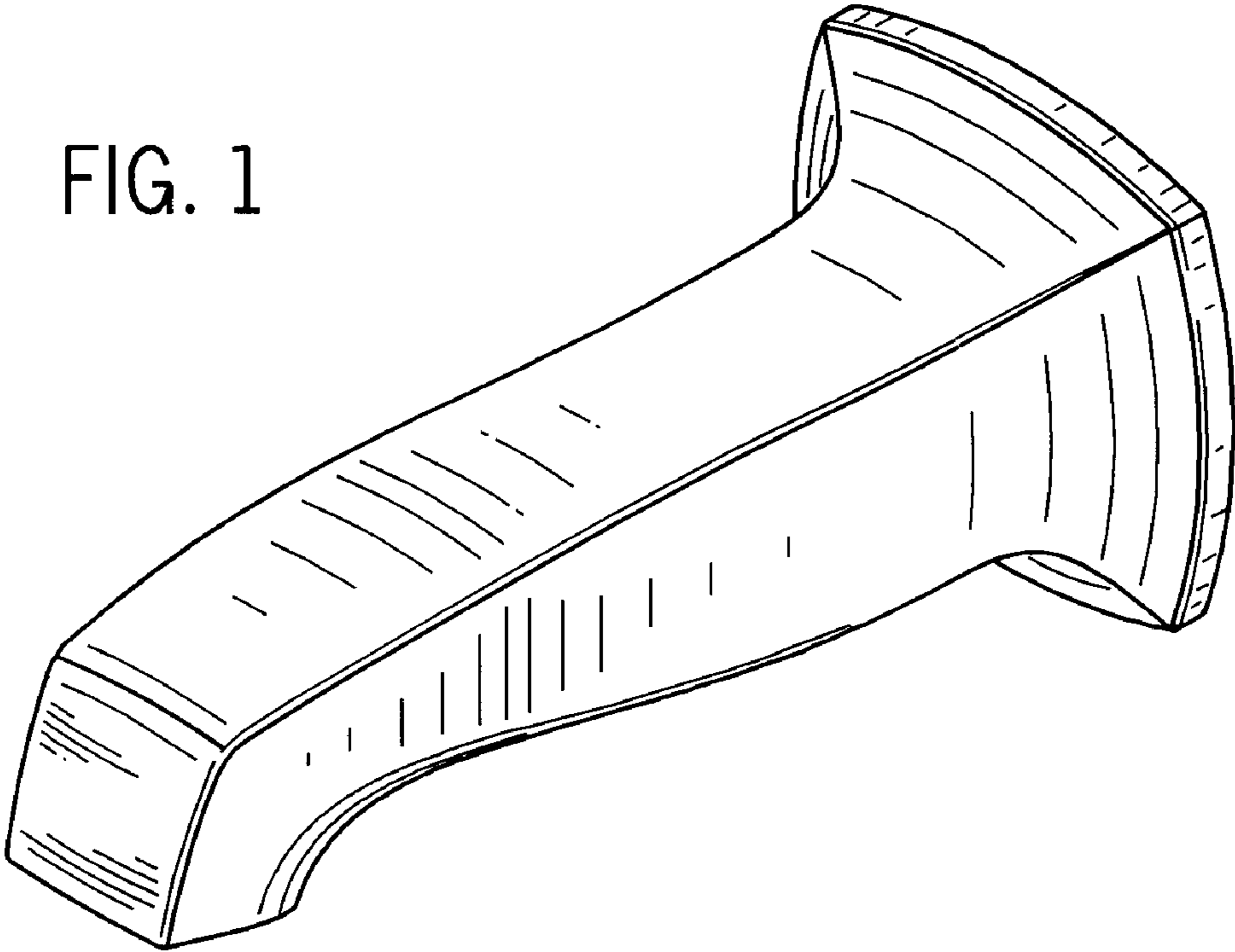


FIG. 2

FIG. 3

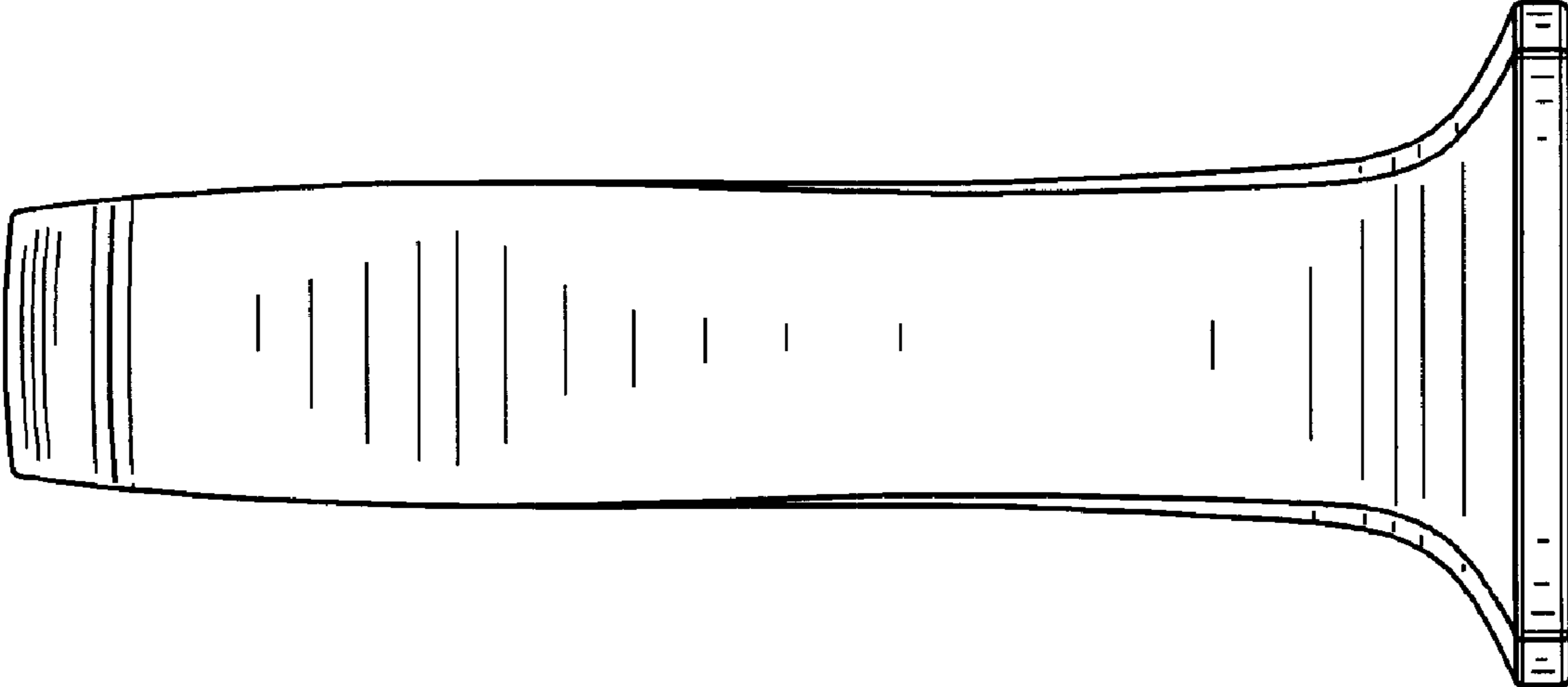


FIG. 4

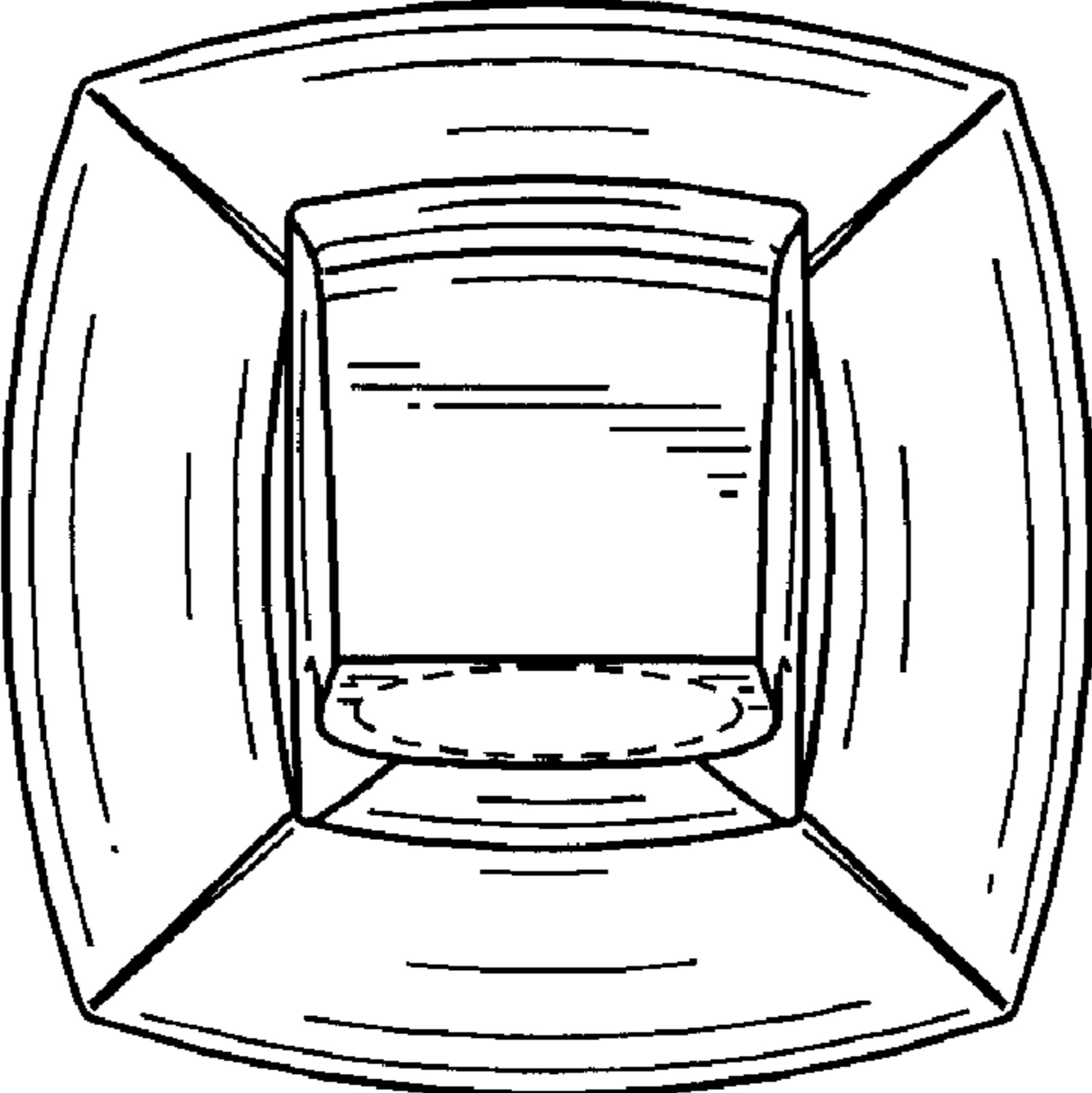


FIG. 5

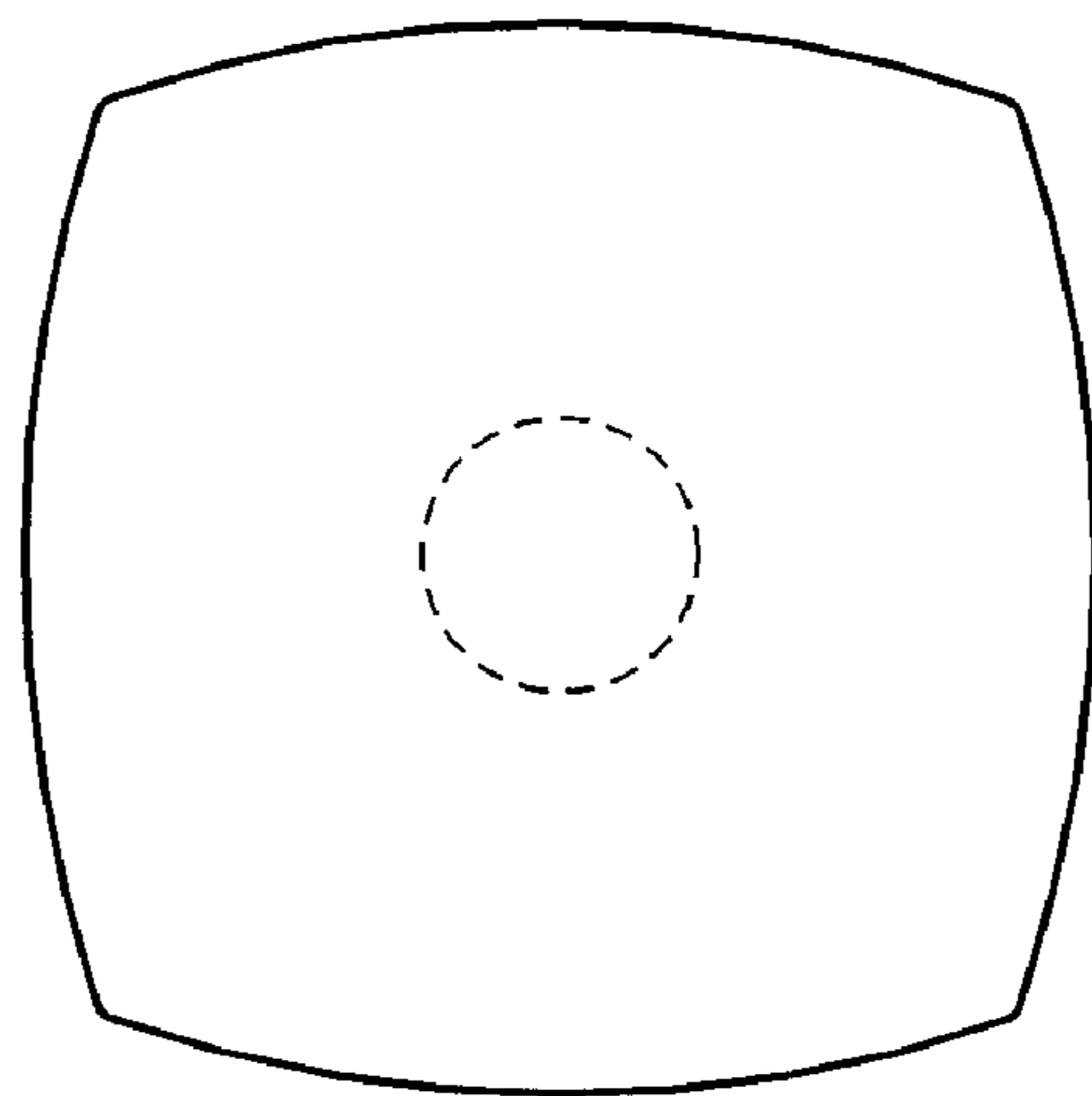
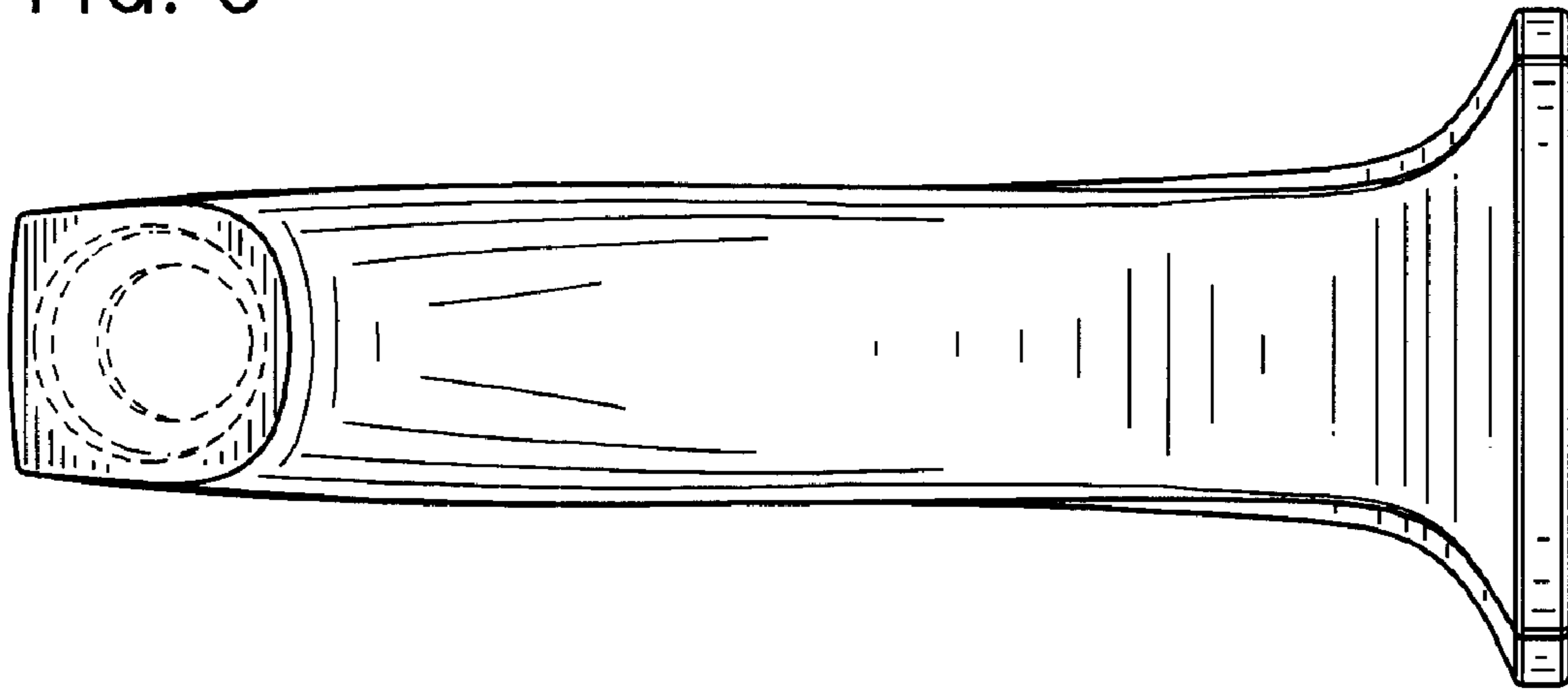


FIG. 6