



US00D573694S

(12) **United States Design Patent**
Funari et al.

(10) **Patent No.:** **US D573,694 S**

(45) **Date of Patent:** **** Jul. 22, 2008**

(54) **FLUSHOMETER CASING**

D470,921 S * 2/2003 Bush D23/249
D480,450 S 10/2003 Saadi et al.
7,188,822 B2 * 3/2007 Marcichow et al. 251/30.01

(75) Inventors: **Michael A. Funari**, Apex, NC (US);
Larry M. Elting, Whispering Pines, NC
(US); **Roy F. Leviner, III**, Aberdeen, NC
(US)

* cited by examiner

Primary Examiner—Ian Simmons

Assistant Examiner—Carissa C Fitts

(74) *Attorney, Agent, or Firm*—The Webb Law Firm

(73) Assignee: **Zurn Industries, LLC**, Erie, PA (US)

(**) Term: **14 Years**

(57) **CLAIM**

(21) Appl. No.: **29/273,107**

The ornamental design for a flushometer casing, as shown and described.

(22) Filed: **Feb. 26, 2007**

(51) **LOC (8) Cl.** **23-01**

(52) **U.S. Cl.** **D23/249**

(58) **Field of Classification Search** D23/233,
D23/249, 241, 234, 245; 251/129.04, 38,
251/40, 236–238, 243; 137/377, 382

See application file for complete search history.

DESCRIPTION

FIG. 1 is a top perspective view of a flush valve actuator with the sensor, an external passageway and parts separation line are shown in broken lines that do not form a part of the new design made in accordance with the present design;

FIG. 2 is a front elevational view thereof with the sensor and parts separation line shown in broken lines;

FIG. 3 is a rear elevational view thereof with the parts separation line shown in broken lines;

FIG. 4 is a right side elevational view thereof with the parts separation line and the passageway shown in broken lines;

FIG. 5 is a left side elevational view thereof with the parts separation line shown in broken lines;

FIG. 6 is a top plan view thereof; and,

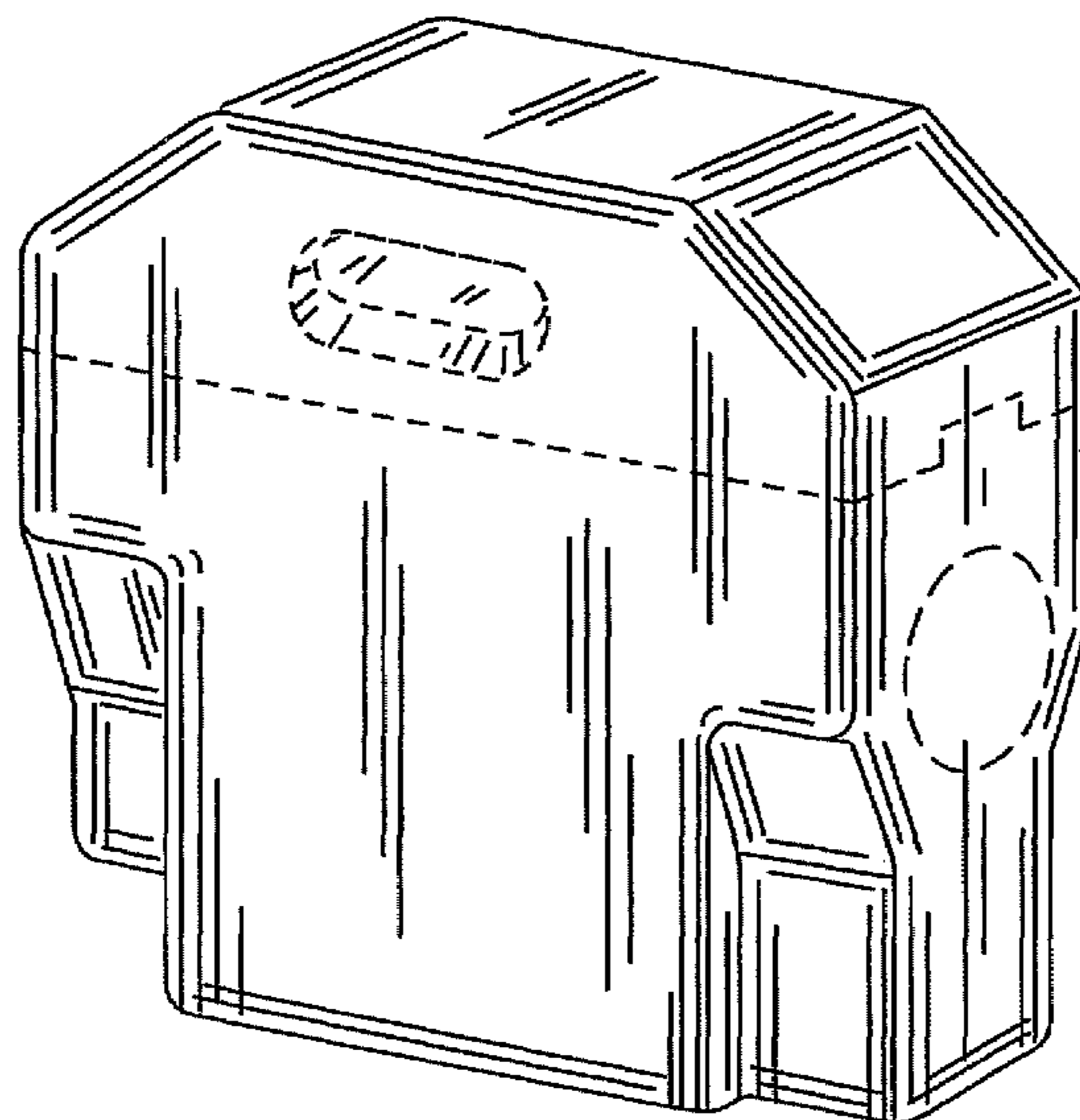
FIG. 7 is a bottom plan view thereof with another passageway shown in broken lines, the passageway does not form part of the invention.

(56) **References Cited**

U.S. PATENT DOCUMENTS

D182,297 S	*	3/1958	Merchant	D23/245
D199,482 S	*	10/1964	Sloan	D23/245
D258,905 S	*	4/1981	Fialkowski	D23/249
4,261,545 A		4/1981	Allen		
D295,280 S	*	4/1988	Walser	D23/249
5,195,720 A	*	3/1993	Nortier et al.	251/129.04
D351,219 S	*	10/1994	Saadi et al.	D23/249
D355,478 S	*	2/1995	Allen et al.	D23/249
D370,057 S		5/1996	Muderlak		
D377,520 S	*	1/1997	Saadi et al.	D23/308
D396,090 S	*	7/1998	Marcichow et al.	D23/233
D452,898 S	*	1/2002	Johnson	D23/233

1 Claim, 3 Drawing Sheets



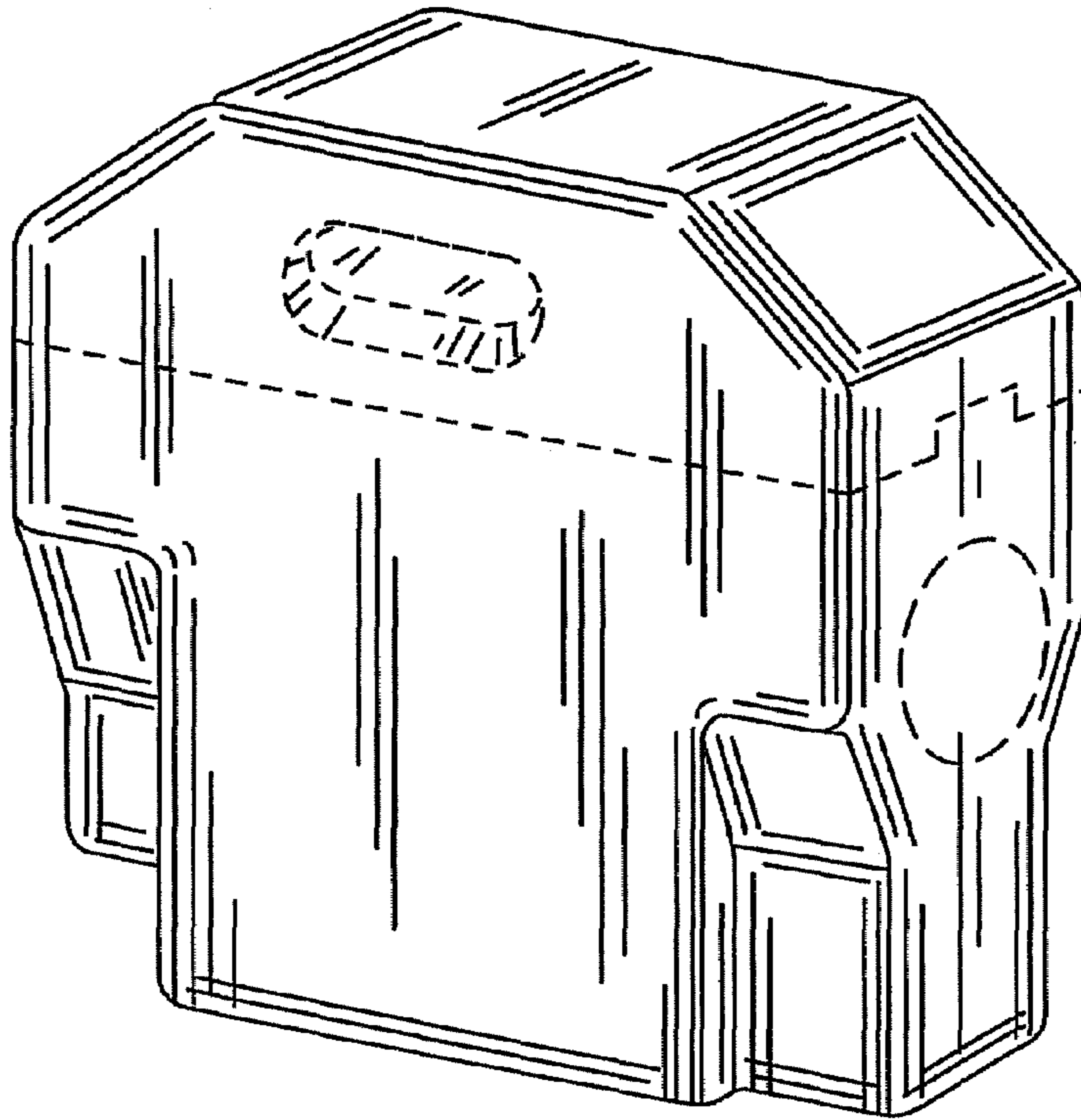


FIG. 1

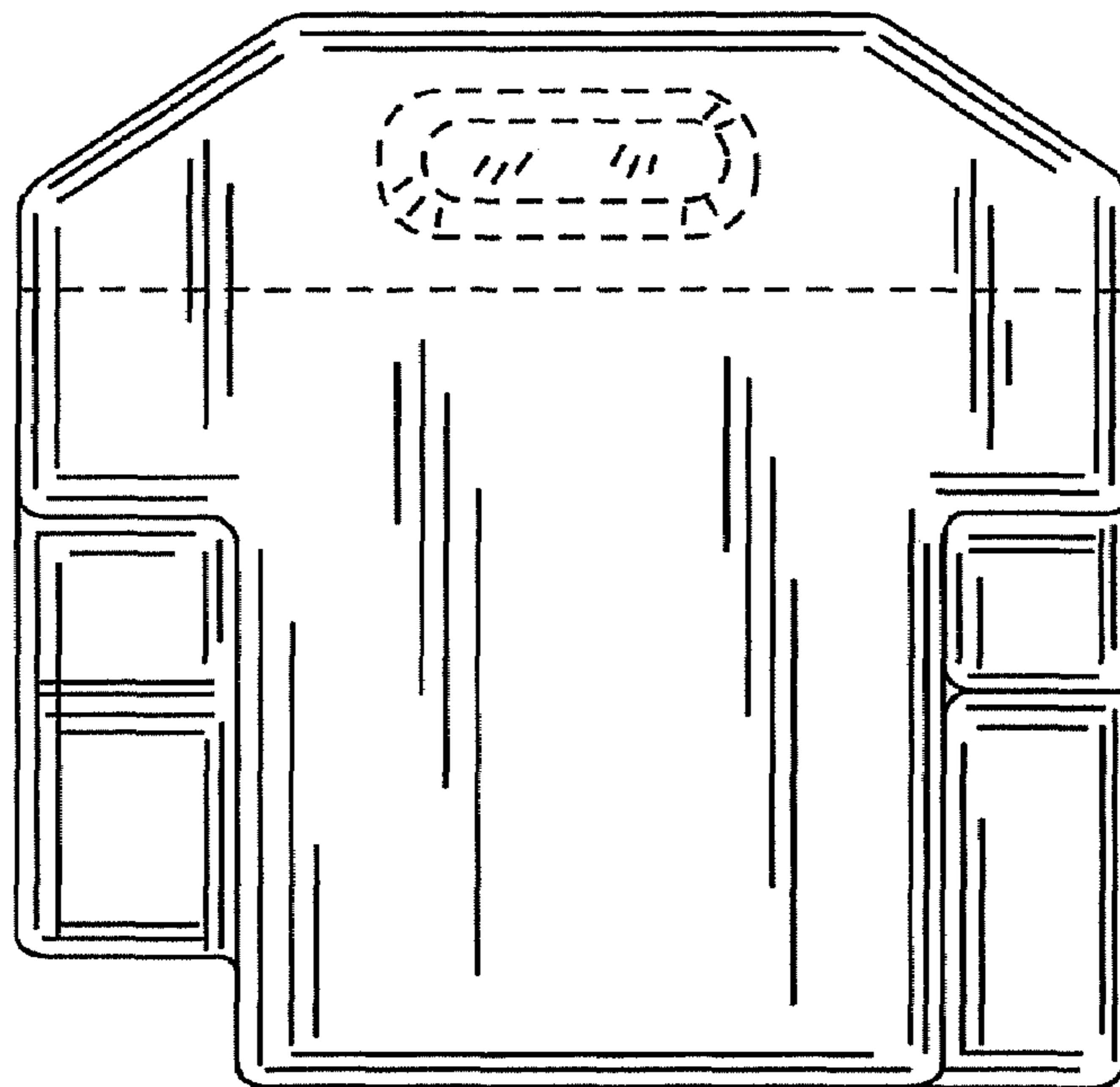


FIG. 2

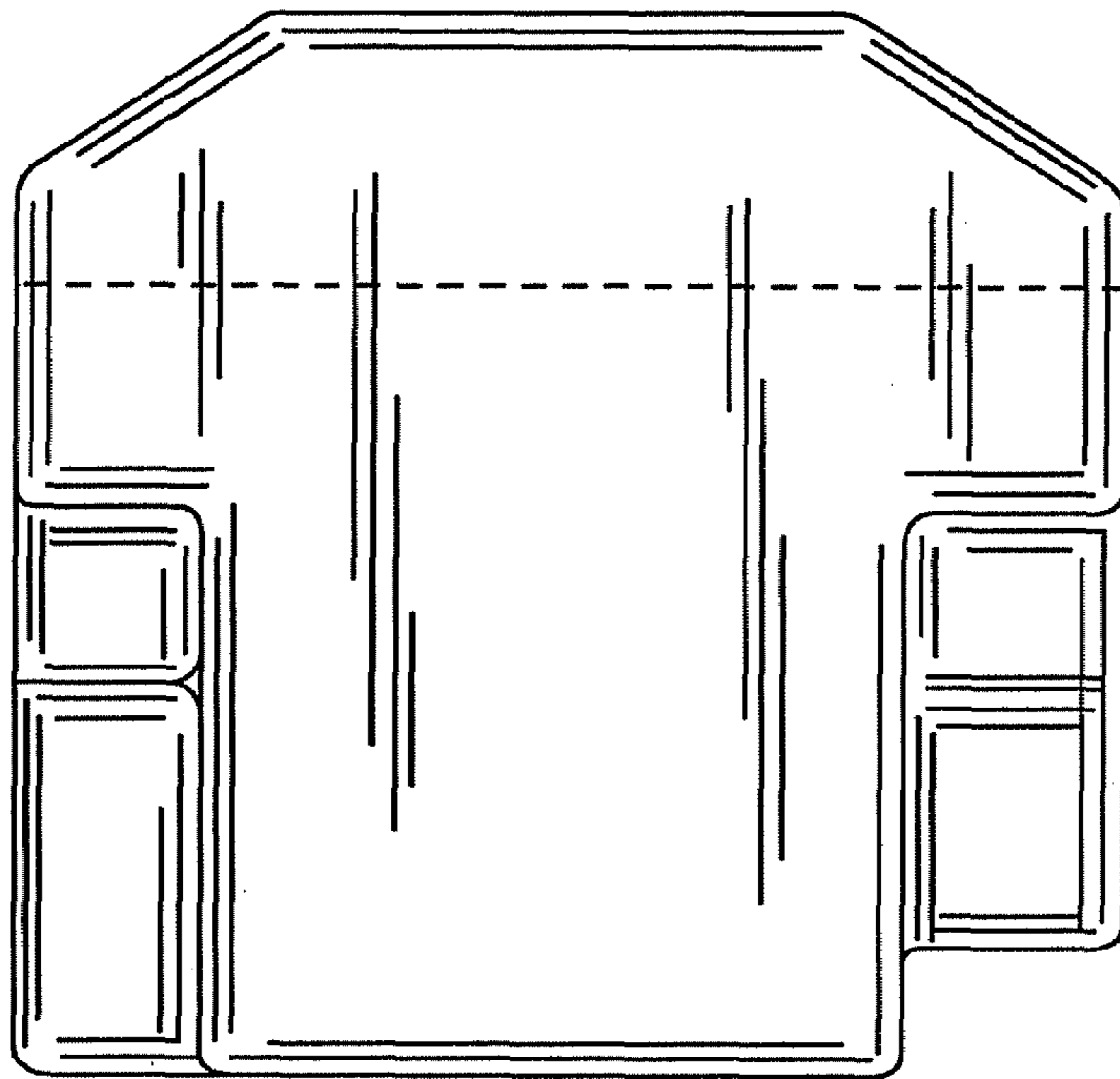


FIG. 3

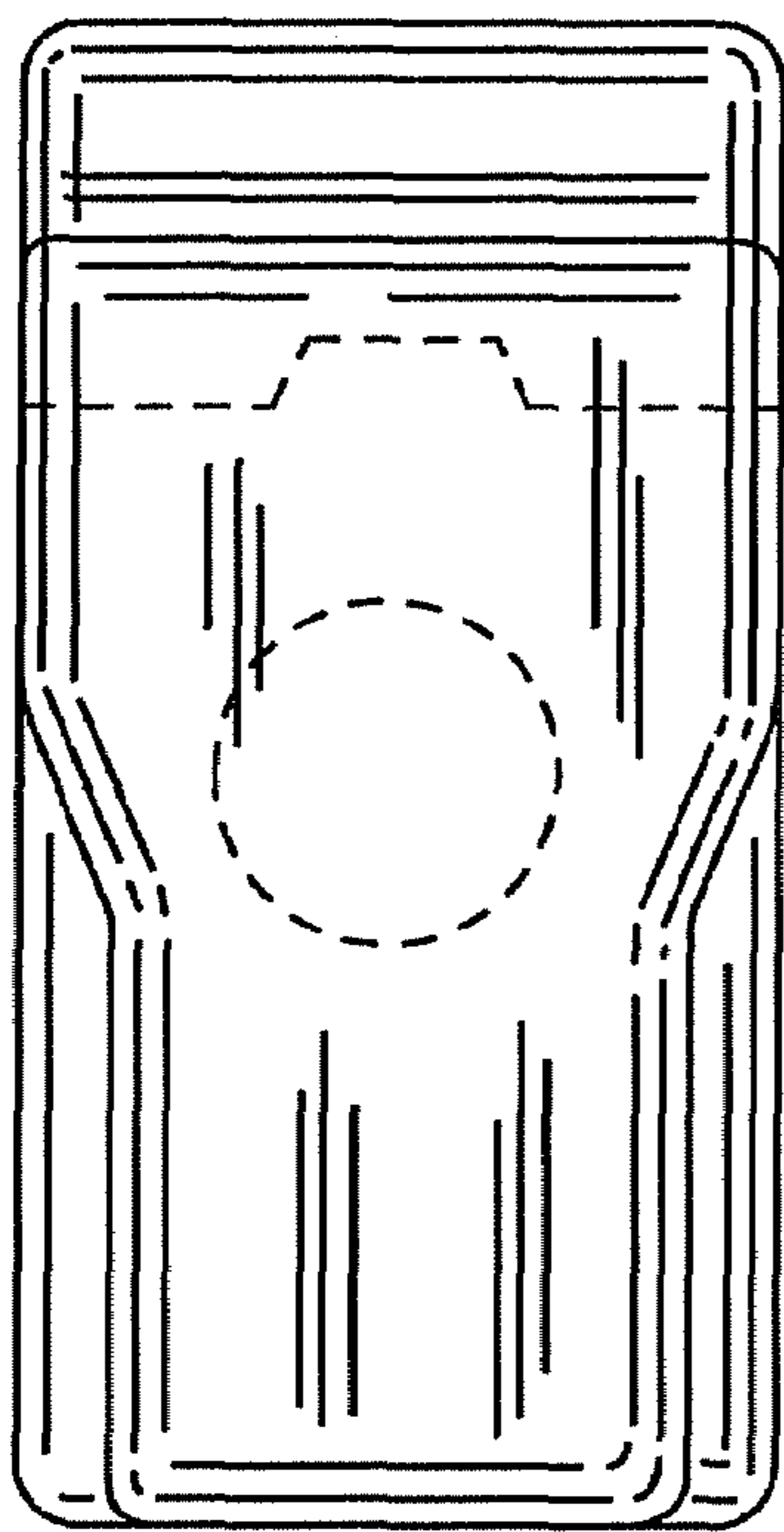


FIG. 4

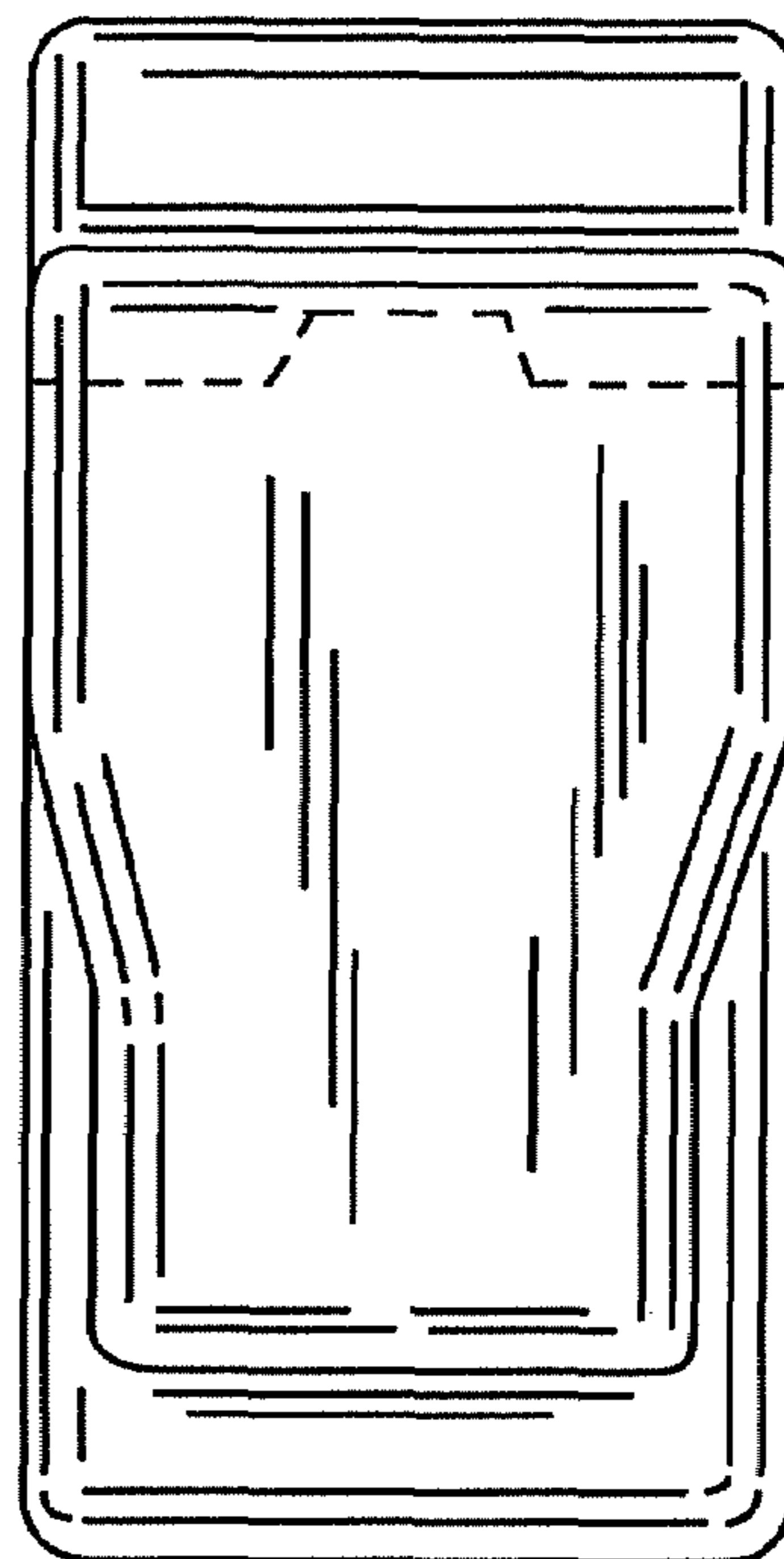


FIG. 5

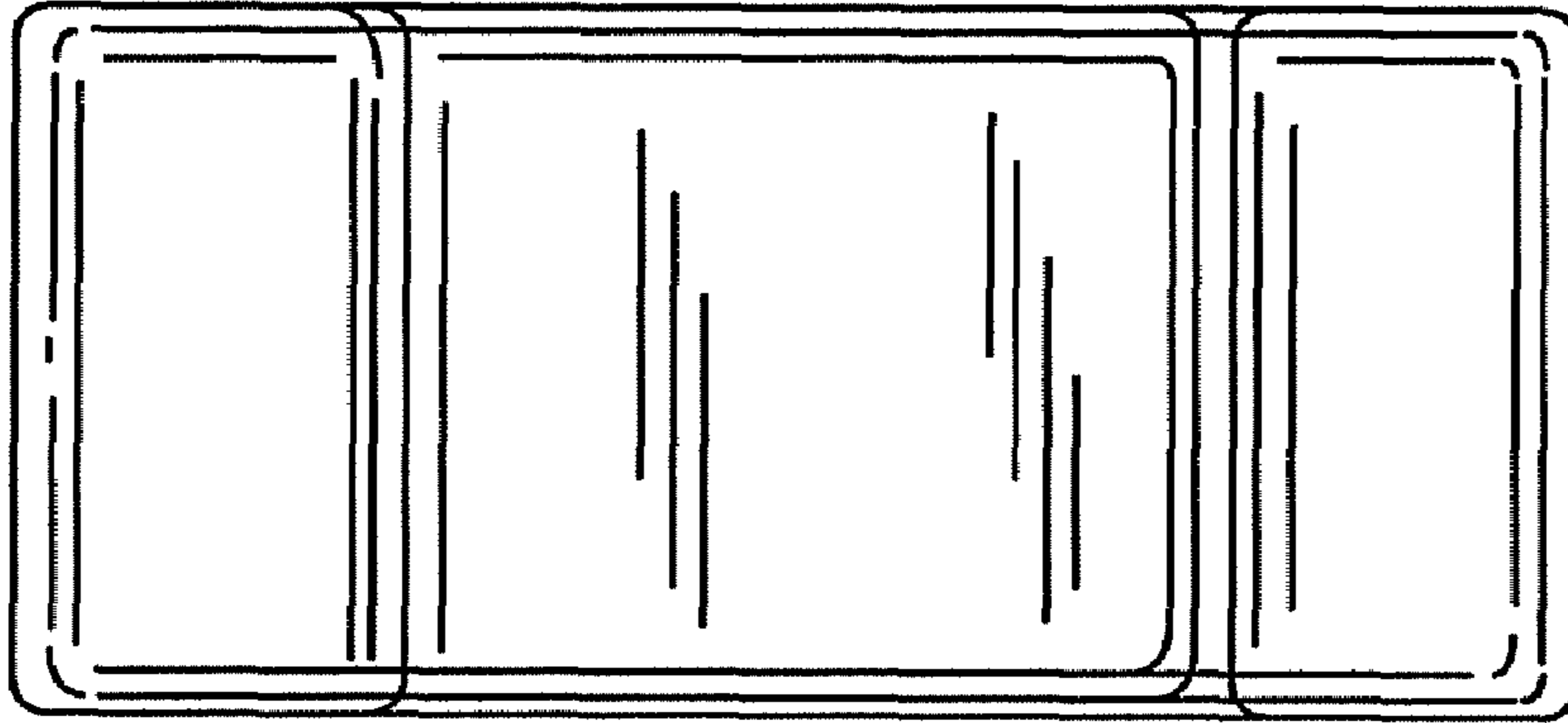


FIG. 6

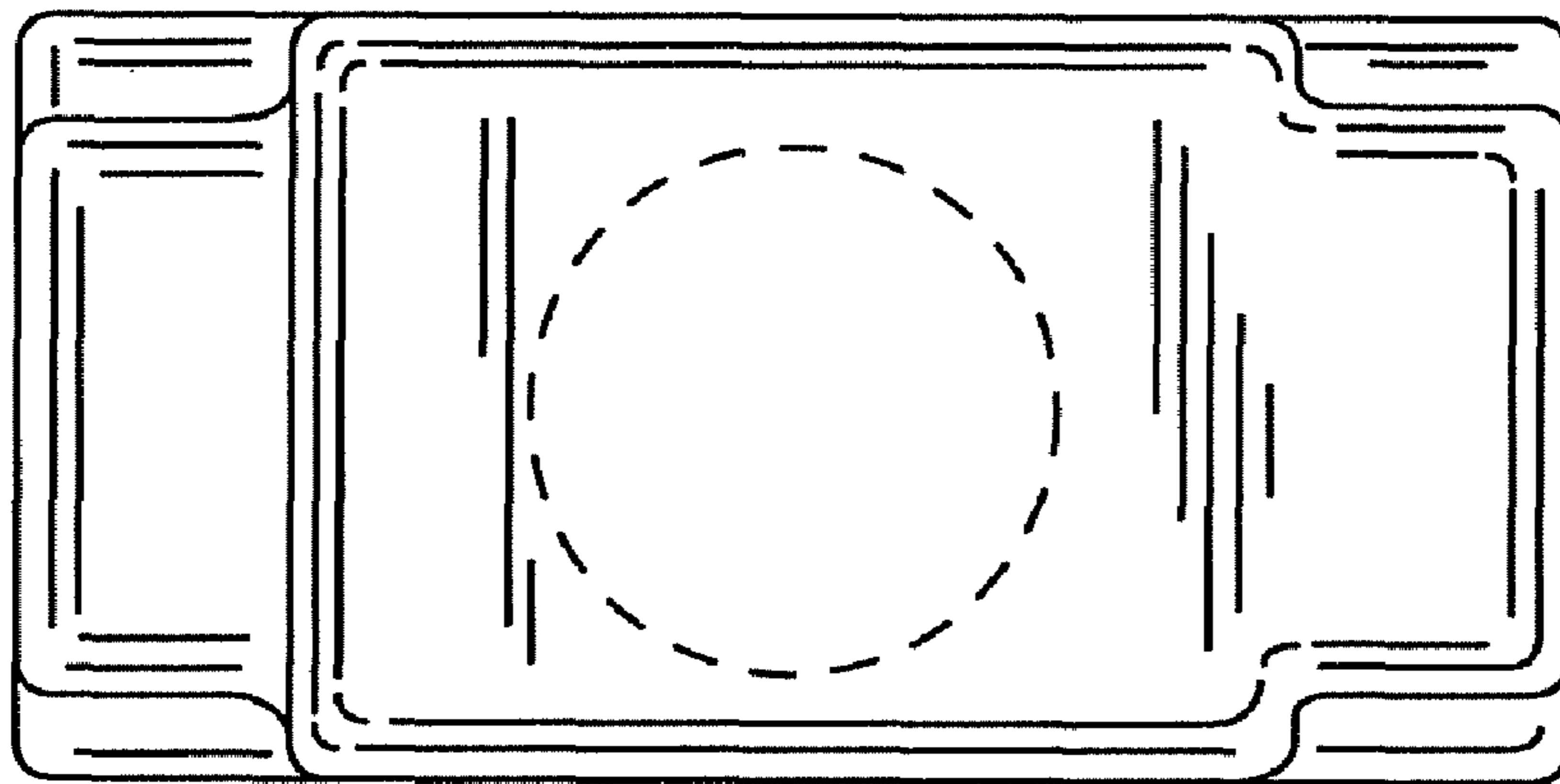


FIG. 7