



US00D573693S

(12) **United States Design Patent**
Hsieh

(10) **Patent No.:** **US D573,693 S**

(45) **Date of Patent:** **** Jul. 22, 2008**

(54) **HOT AND COLD WATER MIXING FAUCET**

D515,671 S * 2/2006 Toyohara D23/241
D533,639 S * 12/2006 Hoernig D23/242

(75) Inventor: **Yu-You Hsieh**, Hemei Township,
Changhua County (TW)

* cited by examiner

(73) Assignee: **Deluxe Brassware Co., Ltd.**, Changhua
County (TW)

Primary Examiner—Robert A. Delehanty

Assistant Examiner—Mark Cavanna

(74) *Attorney, Agent, or Firm*—Troxell Law Office, PLLC

(**) Term: **14 Years**

(57) **CLAIM**

(21) Appl. No.: **29/274,598**

The ornamental design for a hot and cold water mixing faucet,
as shown and described.

(22) Filed: **May 8, 2007**

DESCRIPTION

(51) **LOC (8) Cl.** **23-01**

(52) **U.S. Cl.** **D23/242**

(58) **Field of Classification Search** D23/200,
D23/238–257; D6/512, 546, 550; D8/300,
D8/307–308, 310–312, 321; 4/675–678;
137/801; 16/110.1, 441

FIG. 1 is a perspective view of a hot and cold water mixing
faucet showing my new design;

FIG. 2 is a front view thereof;

FIG. 3 is a rear view thereof;

FIG. 4 is a left side view thereof;

FIG. 5 is a right side view thereof;

FIG. 6 is a top view thereof; and,

FIG. 7 is a bottom view thereof.

See application file for complete search history.

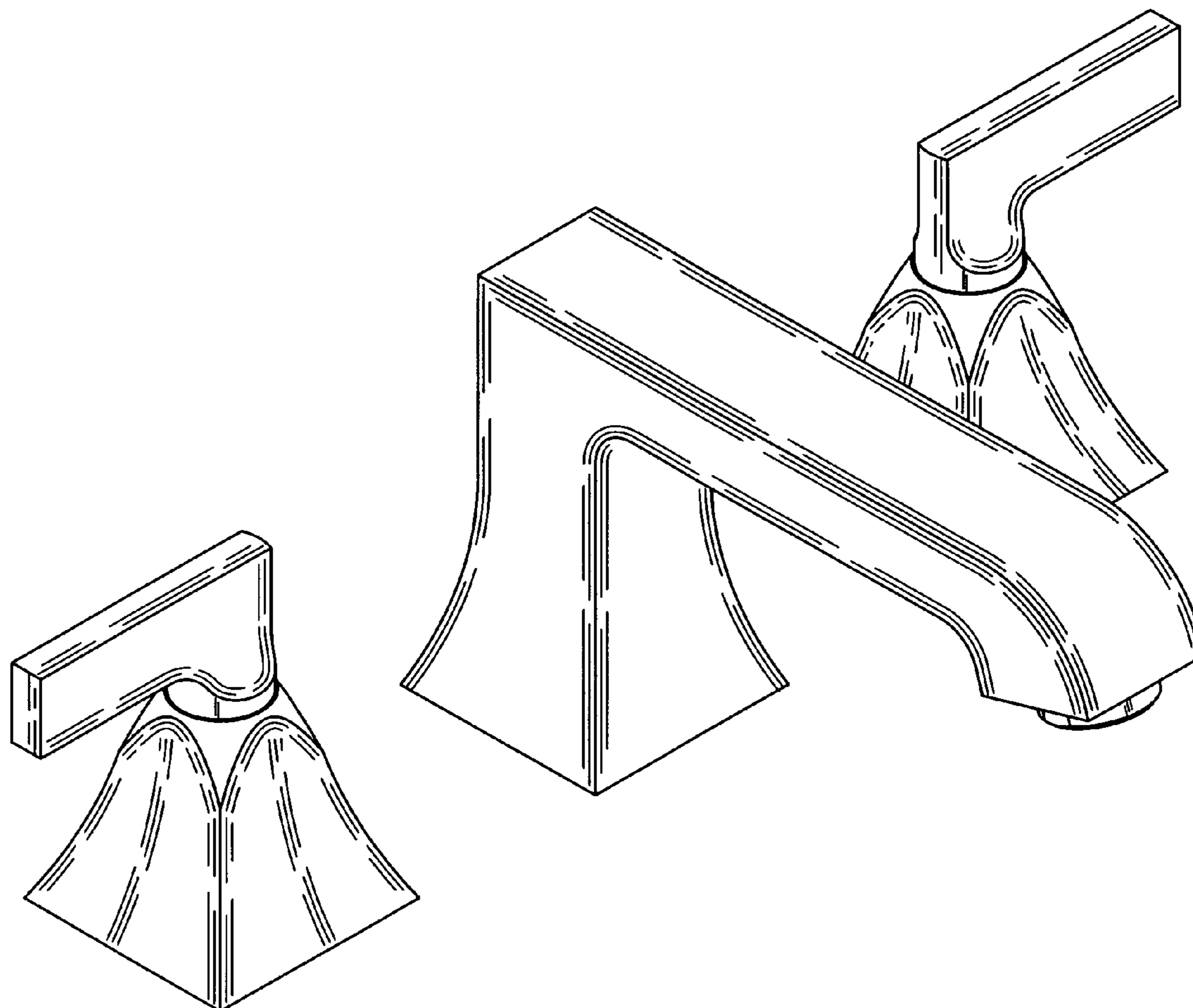
(56) **References Cited**

U.S. PATENT DOCUMENTS

D279,213 S * 6/1985 Paul D23/242

D299,159 S * 12/1988 Arnolds D23/242

1 Claim, 6 Drawing Sheets



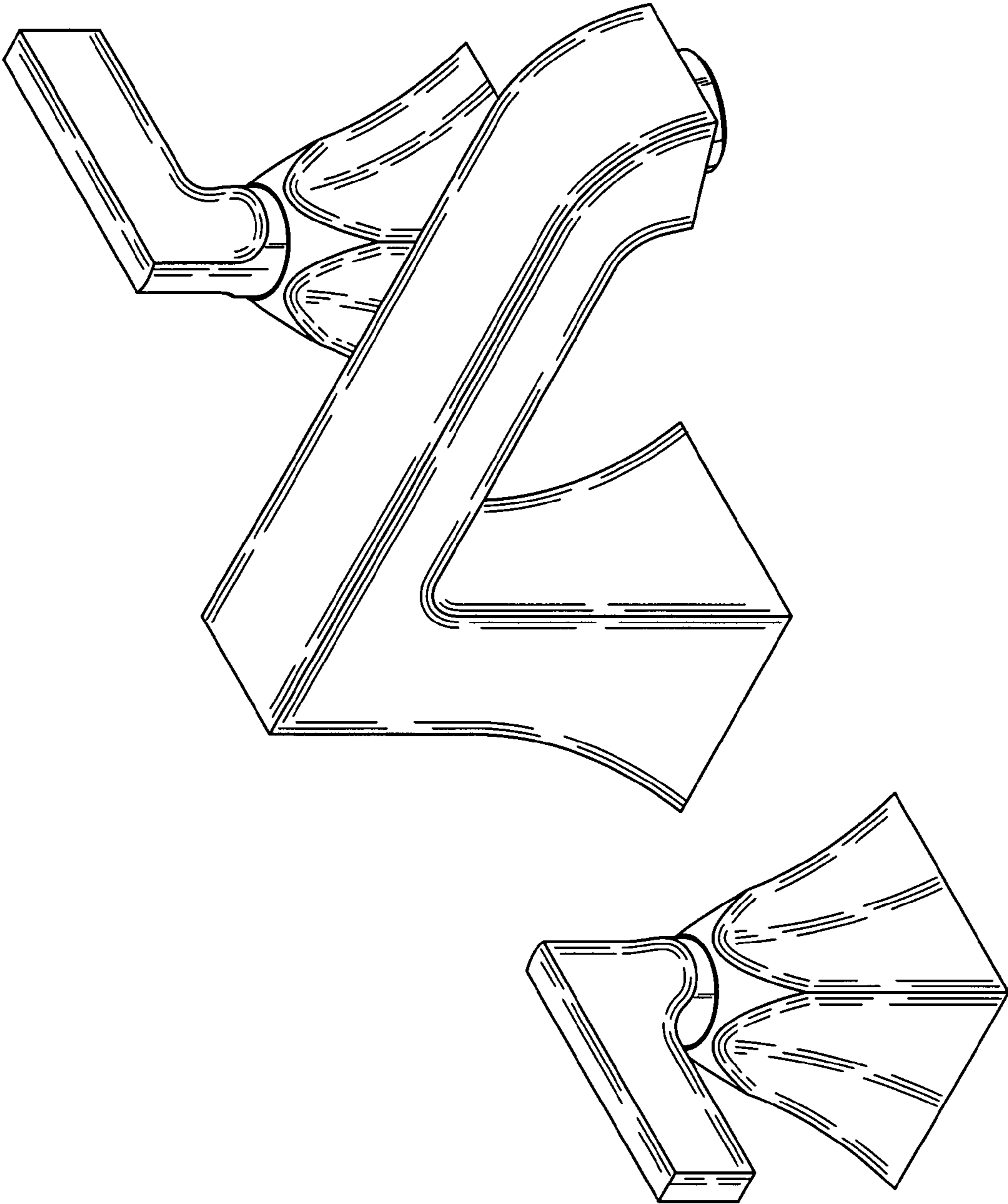


Fig. 1

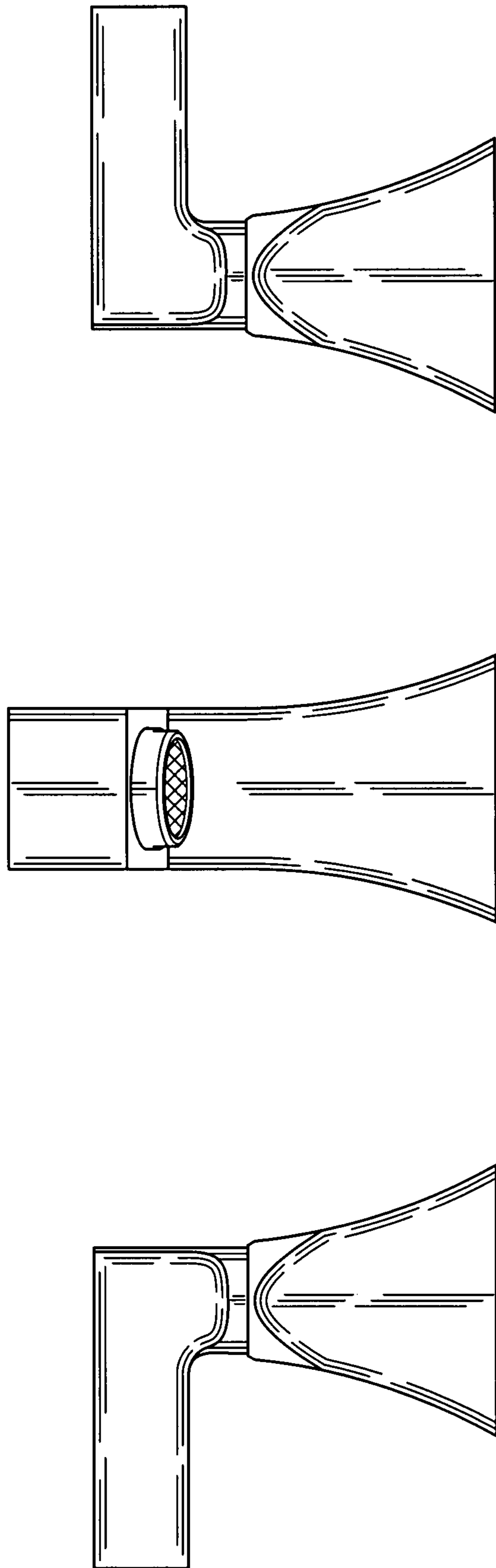


Fig. 2

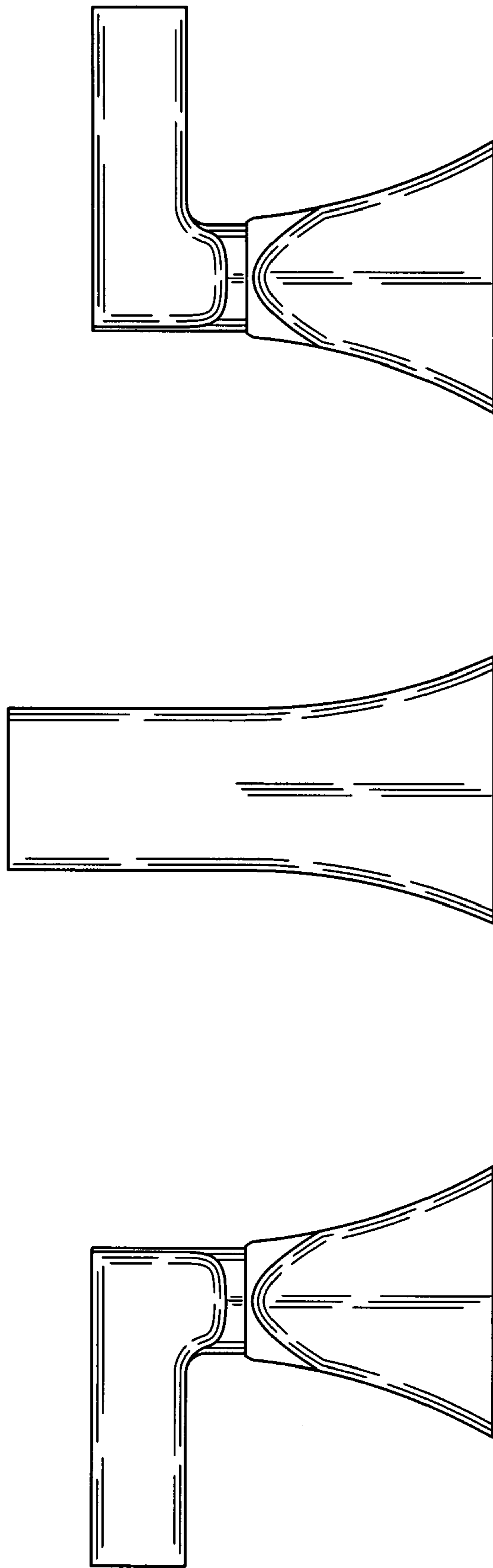


Fig. 3

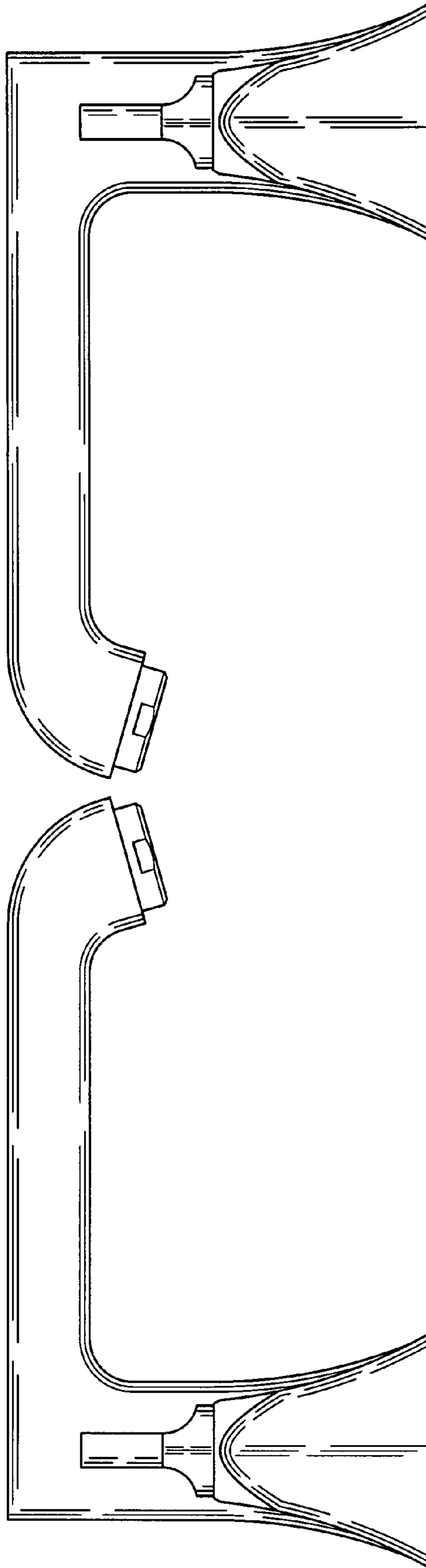


Fig. 4

Fig. 5

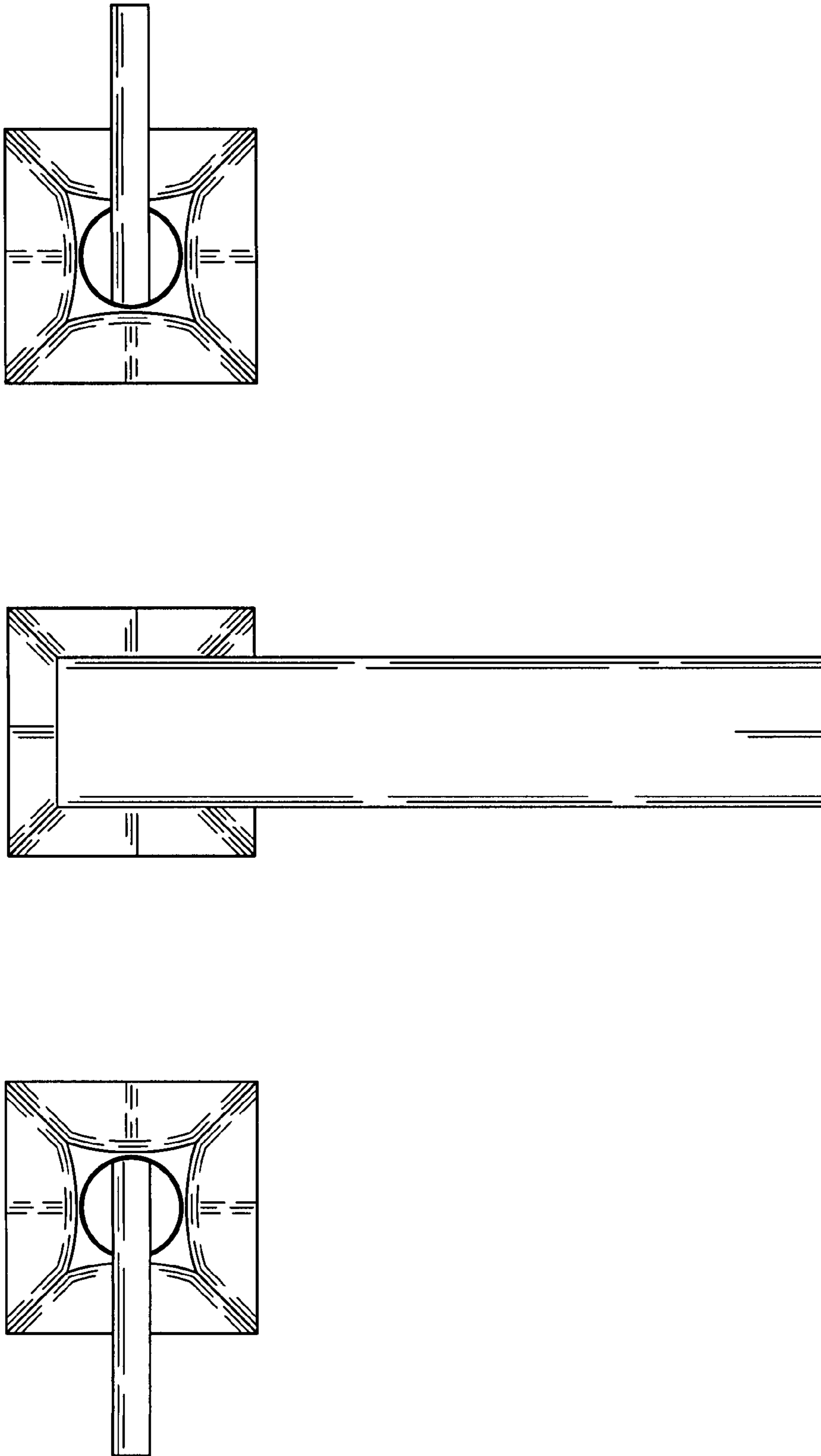


Fig. 6

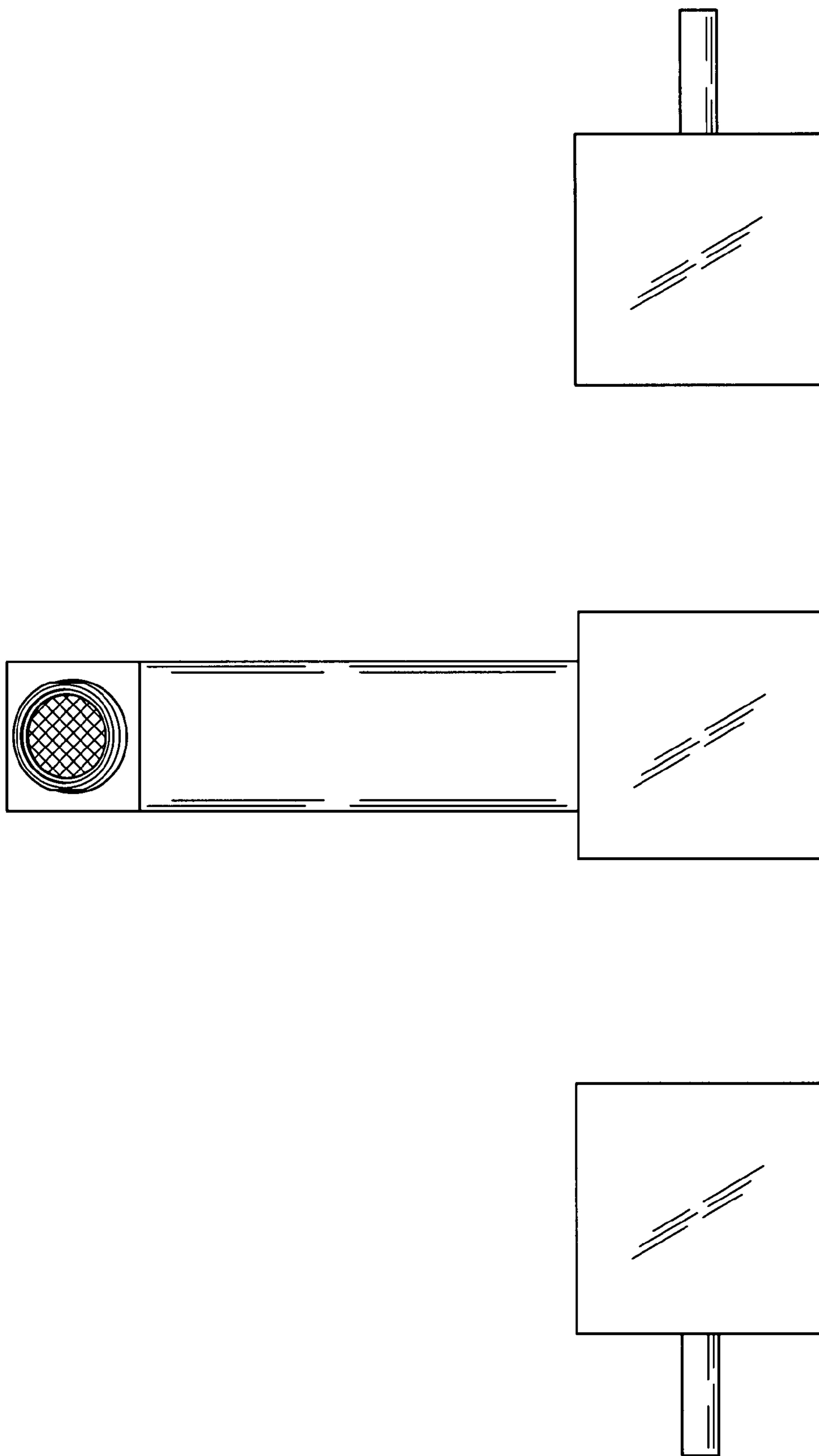


Fig. 7