



US00D573692S

(12) **United States Design Patent**
Scharf

(10) **Patent No.:** **US D573,692 S**

(45) **Date of Patent:** **** Jul. 22, 2008**

(54) **FAUCET**

(76) **Inventor:** **Paul Scharf**, 954 Lexington Ave., Suite 181, New York, NY (US) 10021

(**) **Term:** **14 Years**

(21) **Appl. No.:** **29/249,070**

(22) **Filed:** **Sep. 19, 2006**

(51) **LOC (8) Cl.** **23-01**

(52) **U.S. Cl.** **D23/238**

(58) **Field of Classification Search** D23/238–243, D23/250–257; 4/675–678; 137/801

See application file for complete search history.

(56) **References Cited**

U.S. PATENT DOCUMENTS

4,003,403	A	*	1/1977	Nehring	137/625.41
D304,490	S	*	11/1989	Hengesbach	D23/245
D321,243	S	*	10/1991	Comstock, Jr.	D23/245
D400,970	S	*	11/1998	Voo	D23/245
D438,595	S	*	3/2001	Ferrer Beltran	D23/233

OTHER PUBLICATIONS

Rieke Packaging Systems[™], a TriMas Company; Dispensing Catalog—11 pages.

* cited by examiner

Primary Examiner—Robert A Delehanty

(74) *Attorney, Agent, or Firm*—Collard & Roe, P.C.

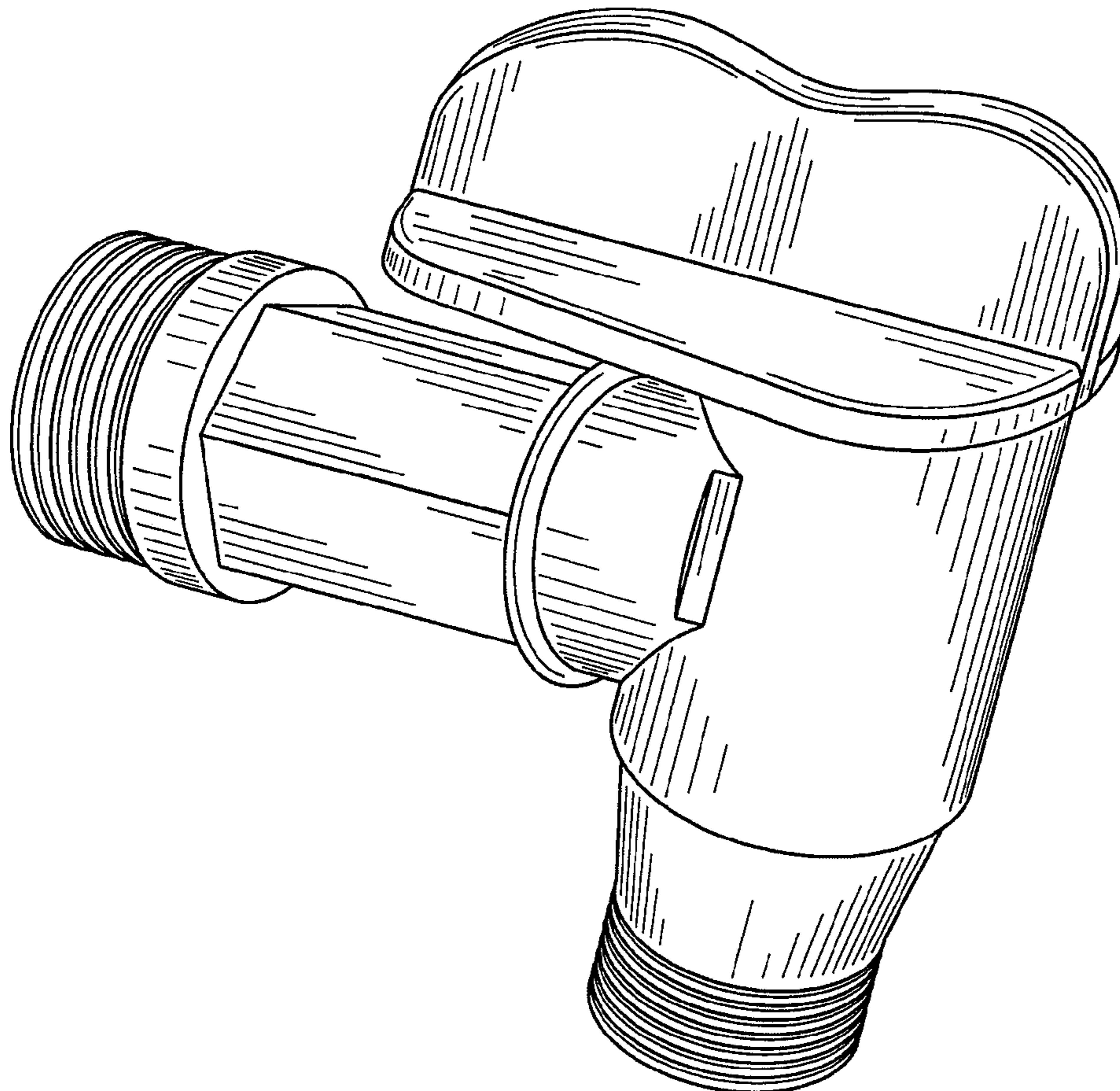
(57) **CLAIM**

The ornamental design for a faucet, as shown and described.

DESCRIPTION

FIG. 1 shows a front side perspective view of a faucet;
 FIG. 2 shows a front view of the faucet which is at the right end based upon the orientation in FIG. 1;
 FIG. 3 shows a back of the faucet which is at the left end based upon the orientation in FIG. 1;
 FIG. 4 shows a first side view of the faucet which is opposite the side perspective view shown in FIG. 1;
 FIG. 5 shows another side view of the faucet which is the front side view with respect to FIG. 1;
 FIG. 6 shows a top side view of the faucet relative to the orientation in FIG. 1; and,
 FIG. 7 shows a bottom side view of the faucet relative to the orientation in FIG. 1.

1 Claim, 4 Drawing Sheets



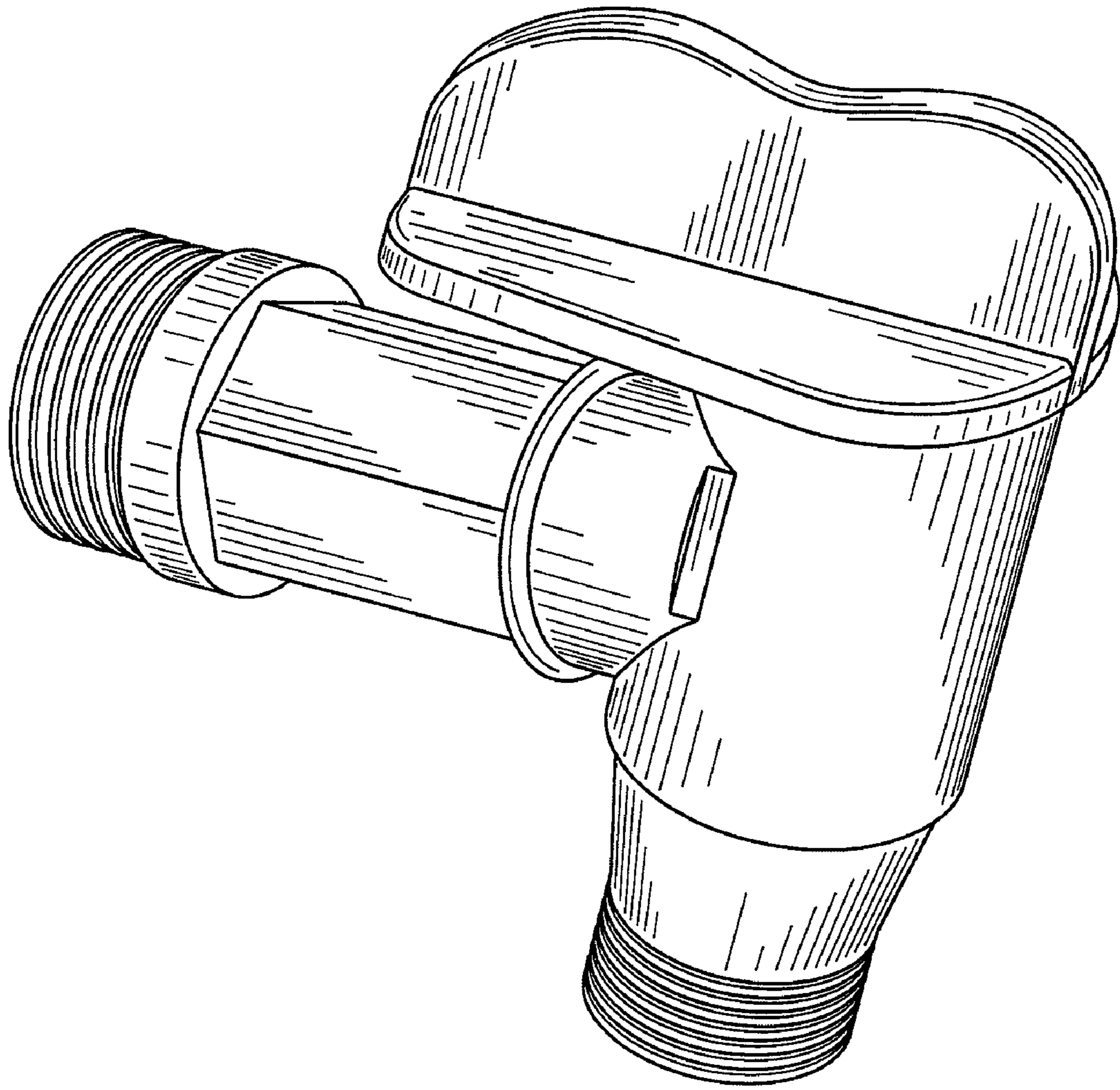


FIG. 1

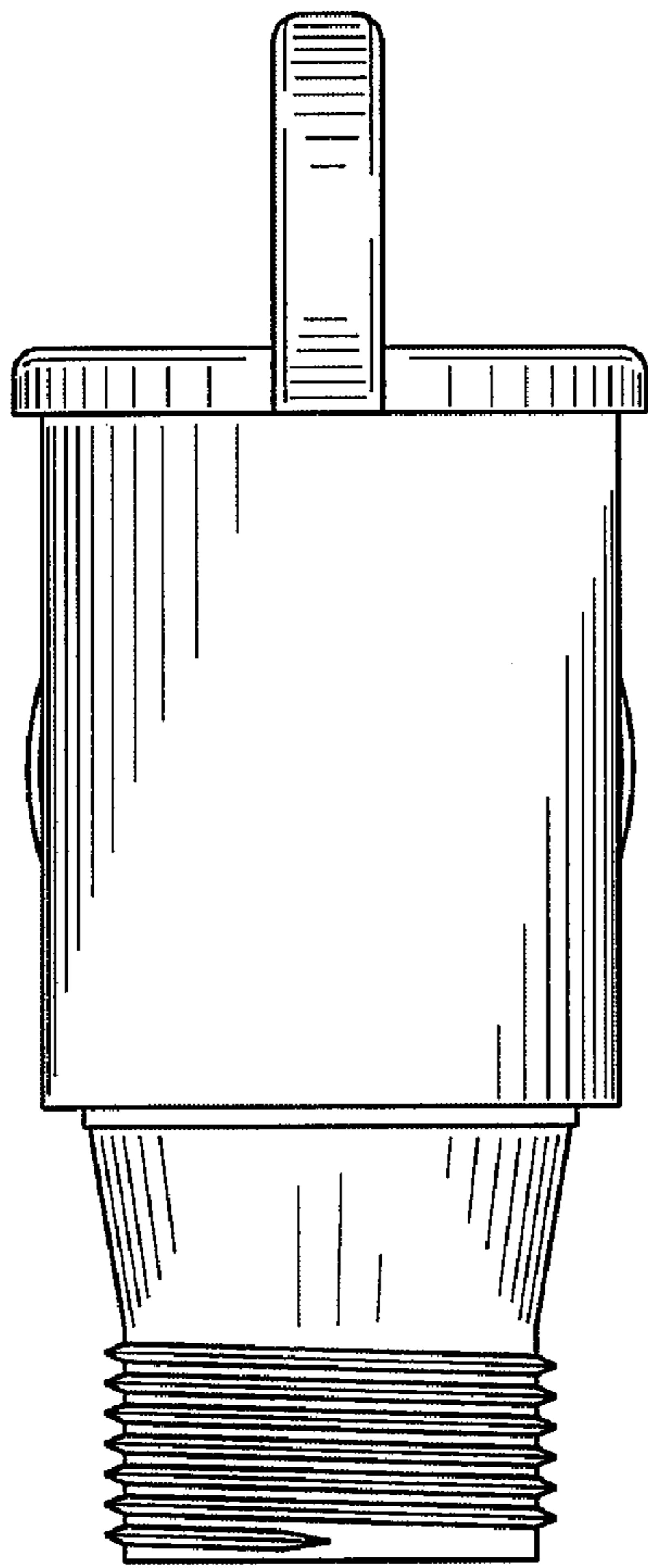


FIG. 2

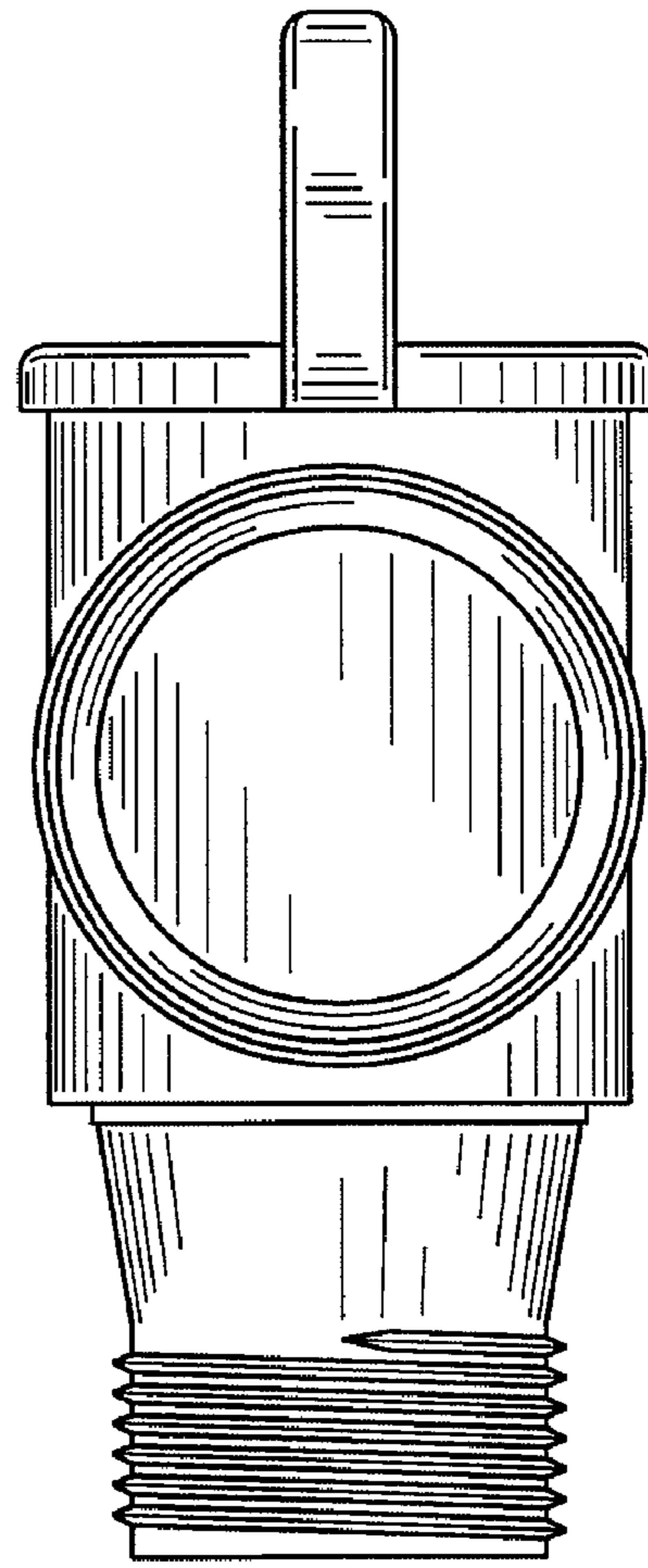


FIG. 3

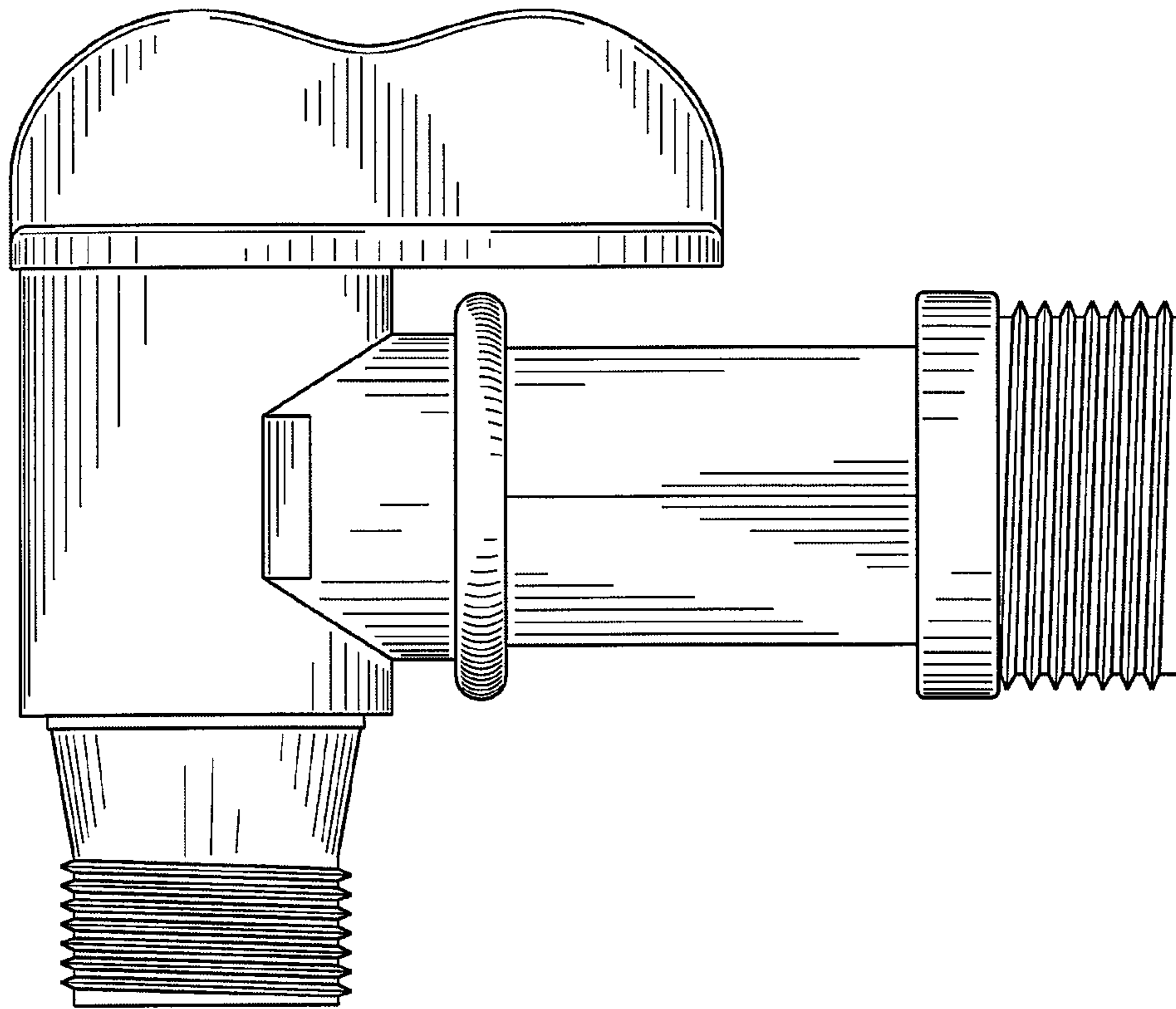


FIG. 4

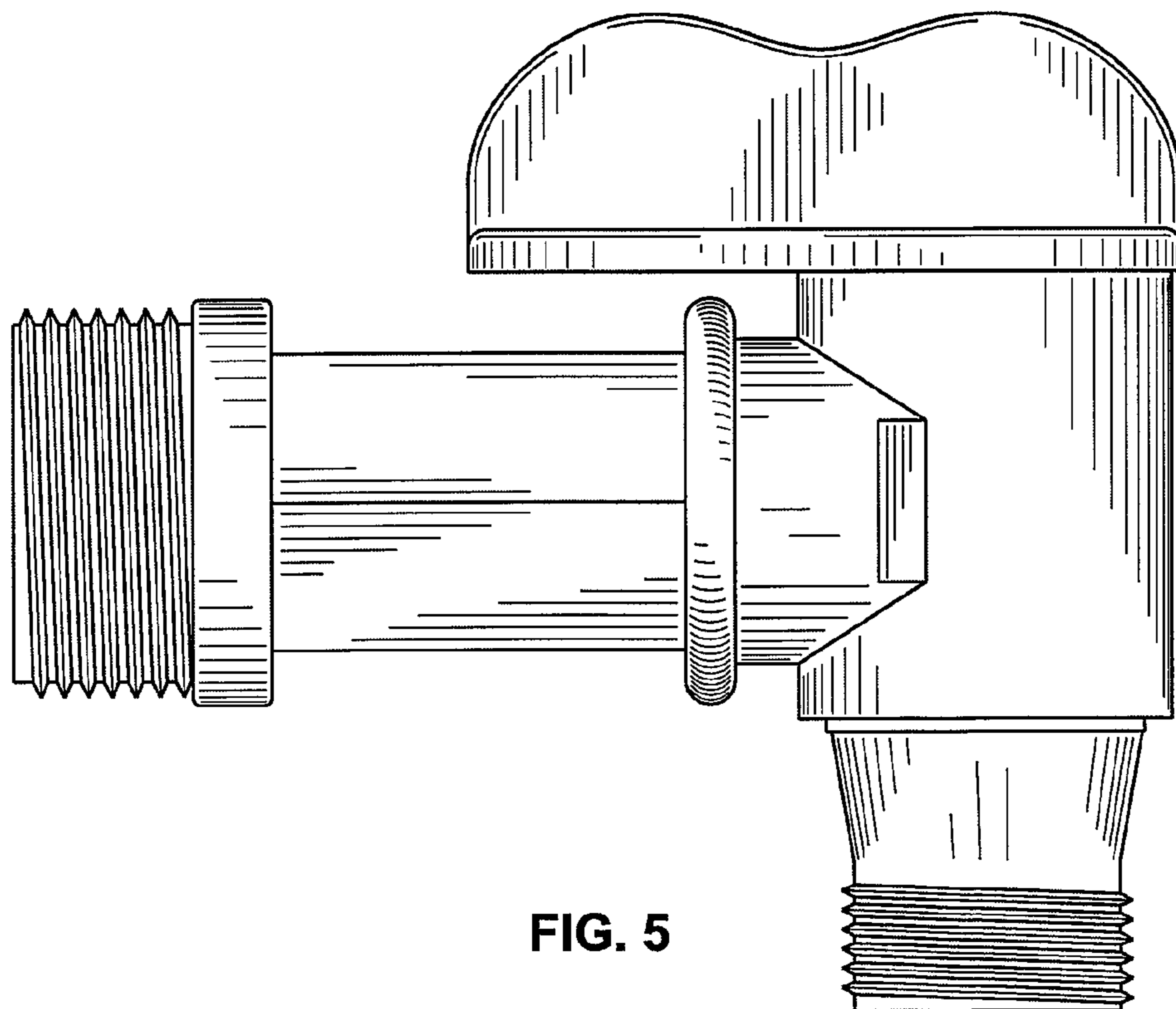


FIG. 5

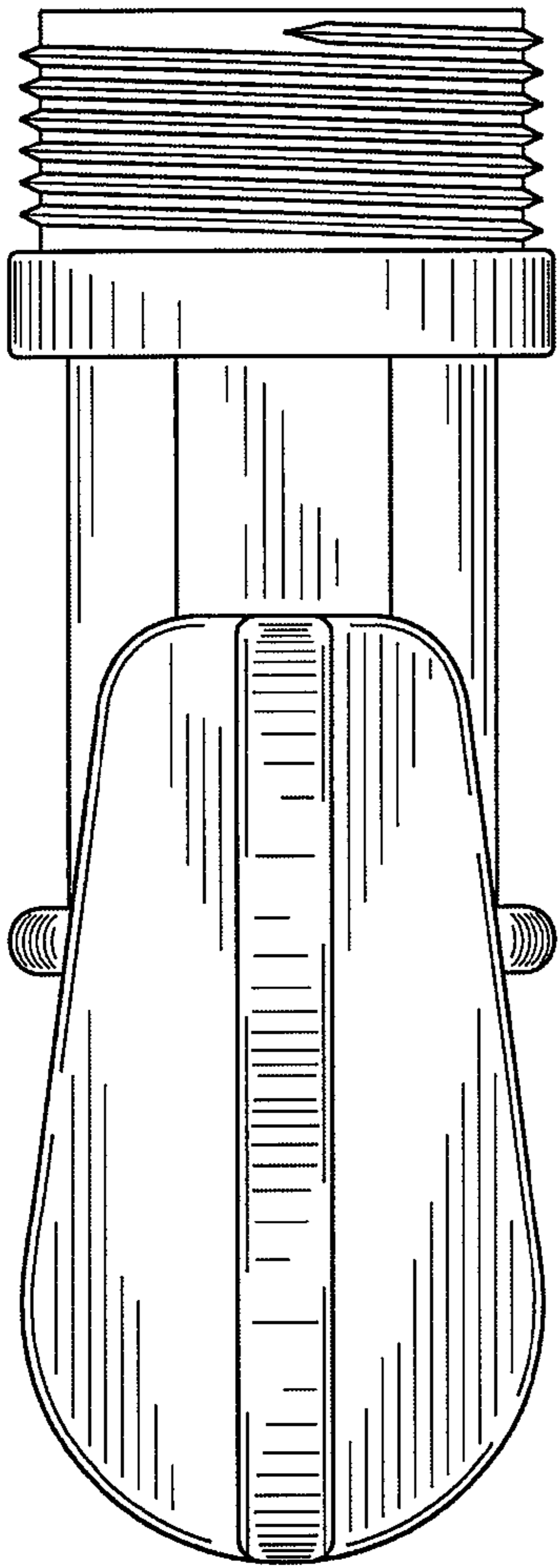


FIG. 6

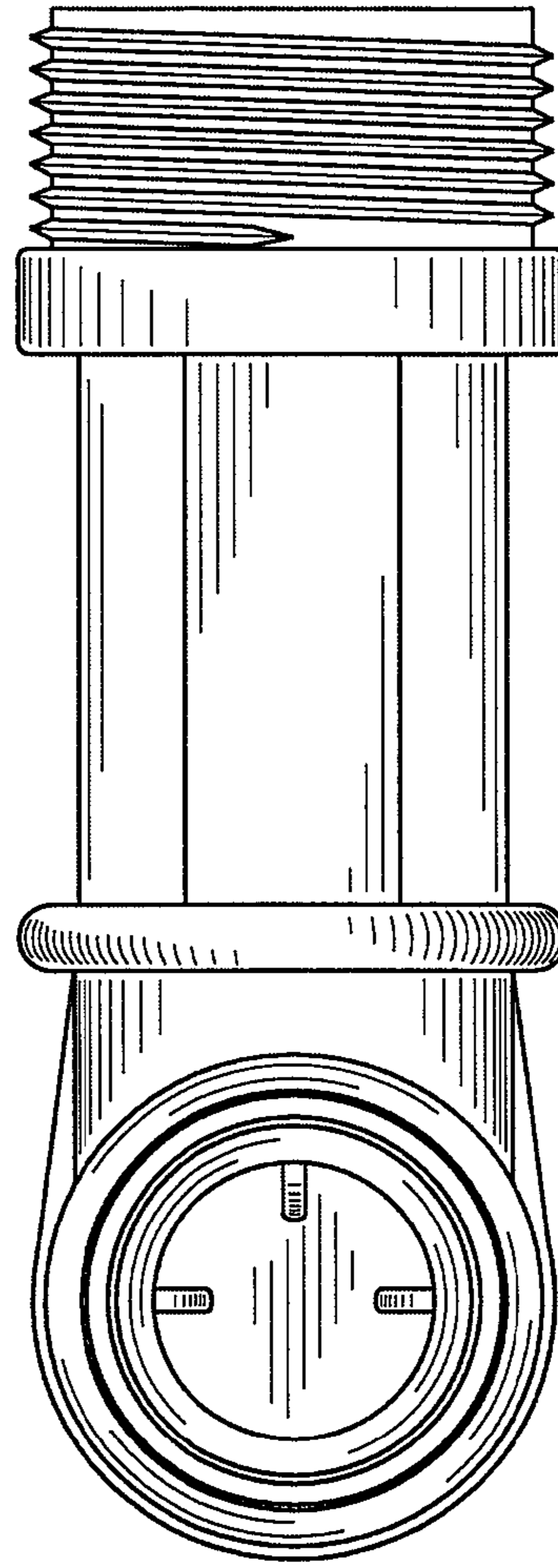


FIG. 7