



US00D573691S

(12) **United States Design Patent**  
**Busschaert et al.**

(10) **Patent No.:** **US D573,691 S**  
(45) **Date of Patent:** **\*\* Jul. 22, 2008**

(54) **WAND**

(75) Inventors: **Jason Busschaert**, Towson, MD (US);  
**Florin Baetica**, Brockville (CA)

(73) Assignee: **Black & Decker Inc.**, Newark, DE (US)

(\*\*) Term: **14 Years**

(21) Appl. No.: **29/272,275**

(22) Filed: **Feb. 5, 2007**

**Related U.S. Application Data**

(63) Continuation of application No. 29/243,190, filed on  
Nov. 21, 2005, now Pat. No. Des. 538,684.

(51) **LOC (8) Cl.** ..... **23-01**

(52) **U.S. Cl.** ..... **D23/226**

(58) **Field of Classification Search** ..... D23/213,  
D23/223, 225, 226; 239/525-527, 532  
See application file for complete search history.

(56) **References Cited**

**U.S. PATENT DOCUMENTS**

1,955,846 A	4/1934	Campbell, Jr.	
3,799,440 A	3/1974	Goss et al.	
3,885,739 A	5/1975	Tuttle	
3,930,616 A	1/1976	Winter	
3,944,141 A	3/1976	Siczek	
4,154,400 A	5/1979	Wehunt	
4,637,551 A	1/1987	Seeger, Jr. et al.	
D291,113 S *	7/1987	Bauer .....	D23/226
4,784,330 A	11/1988	Hammelmann	
5,052,624 A	10/1991	Boers et al.	
5,199,642 A	4/1993	Rankin	
5,253,679 A	10/1993	Pacht	
5,259,556 A	11/1993	Paige et al.	
5,349,982 A	9/1994	Goldsmith	
5,421,520 A	6/1995	Simonette et al.	
5,529,460 A	6/1996	Eihusen et al.	
5,636,789 A	6/1997	Shook	
5,667,141 A	9/1997	Suttner	
5,904,297 A	5/1999	Kendrick, Jr. et al.	

D412,965 S	8/1999	Kieffer	
6,000,637 A	12/1999	Duncan	
6,079,639 A	6/2000	Barbato	
D470,569 S *	2/2003	Chen .....	D23/225
D474,529 S	5/2003	Sodemann et al.	
6,651,909 B1	11/2003	Bugarin	
6,651,910 B2	11/2003	Elliott-Moore	
D499,791 S	12/2004	Etter	
D501,536 S	2/2005	Amaduzzi	
6,889,914 B2	5/2005	Herhold	
6,935,579 B1	8/2005	Lindsey	
6,988,677 B2	1/2006	Sodemann et al.	
D518,556 S *	4/2006	Amaduzzi .....	D23/226
7,063,095 B2	6/2006	Barcay et al.	
D555,767 S *	11/2007	Carpanese .....	D23/226
2003/0200998 A1	10/2003	Hoenrich et al.	
2005/0093297 A1	5/2005	Gilpatrick et al.	
2005/0145270 A1	7/2005	Ray	
2005/0189437 A1	9/2005	Alexander et al.	
2006/0081725 A1	4/2006	Plager et al.	

\* cited by examiner

*Primary Examiner*—Robin V Webster

(74) *Attorney, Agent, or Firm*—Wesley W. Muller

(57) **CLAIM**

The ornamental design for a wand, as shown and described.

**DESCRIPTION**

FIG. 1 is a perspective view of a wand according to the present invention;

FIG. 2 is a left side view of the wand of FIG. 1;

FIG. 3 is a right side view of the wand of FIG. 1;

FIG. 4 is a top view of the wand of FIG. 1;

FIG. 5 is a bottom view of the wand of FIG. 1;

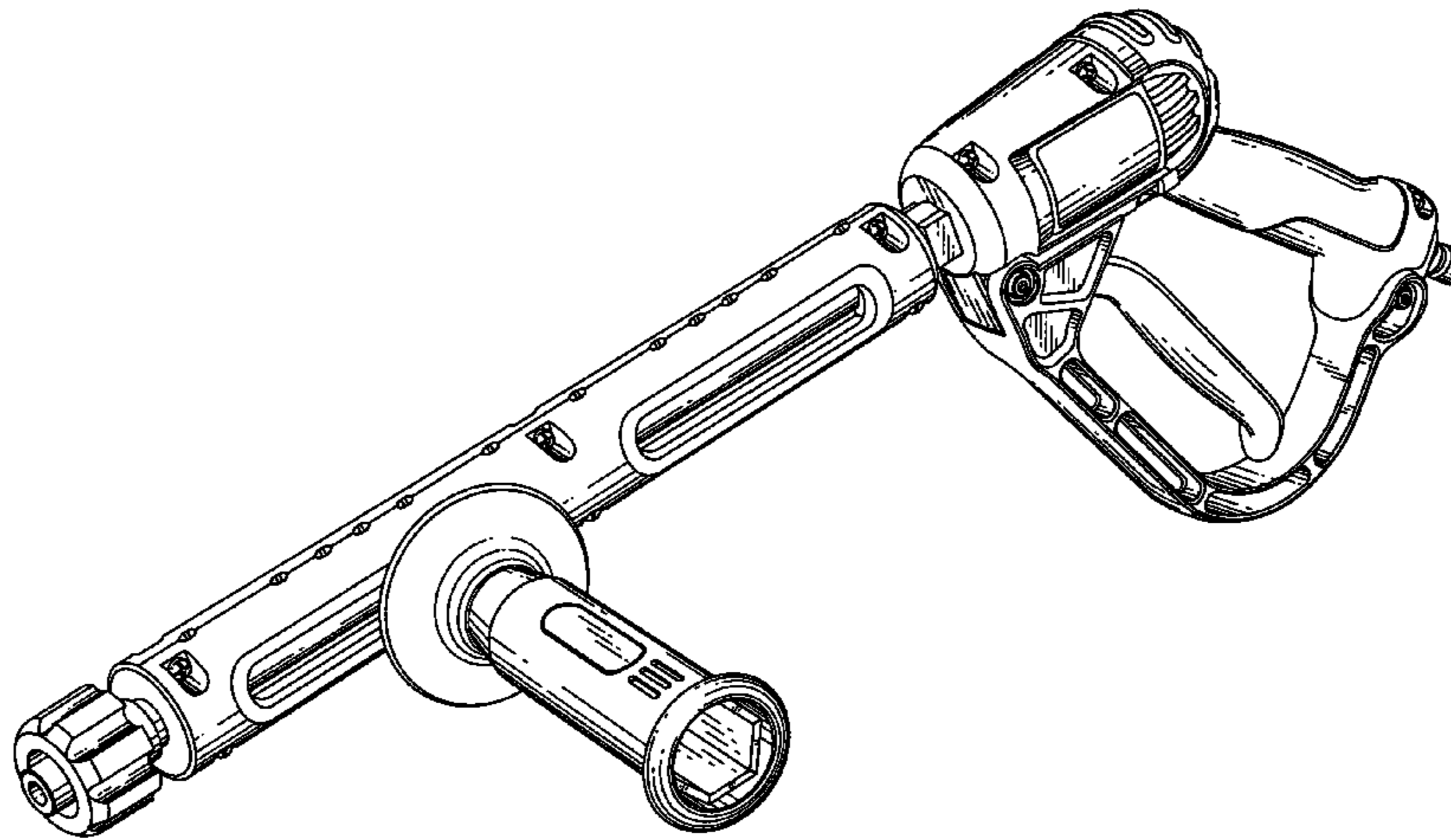
FIG. 6 is an elevated front view of the wand of FIG. 1;

FIG. 7 is an elevated rear view of the wand of FIG. 1; and,

FIG. 8 is an additional left side view of the wand.

The broken line showing in FIG. 8 is included for the purpose of illustrating and forms no part of the claimed design.

**1 Claim, 8 Drawing Sheets**



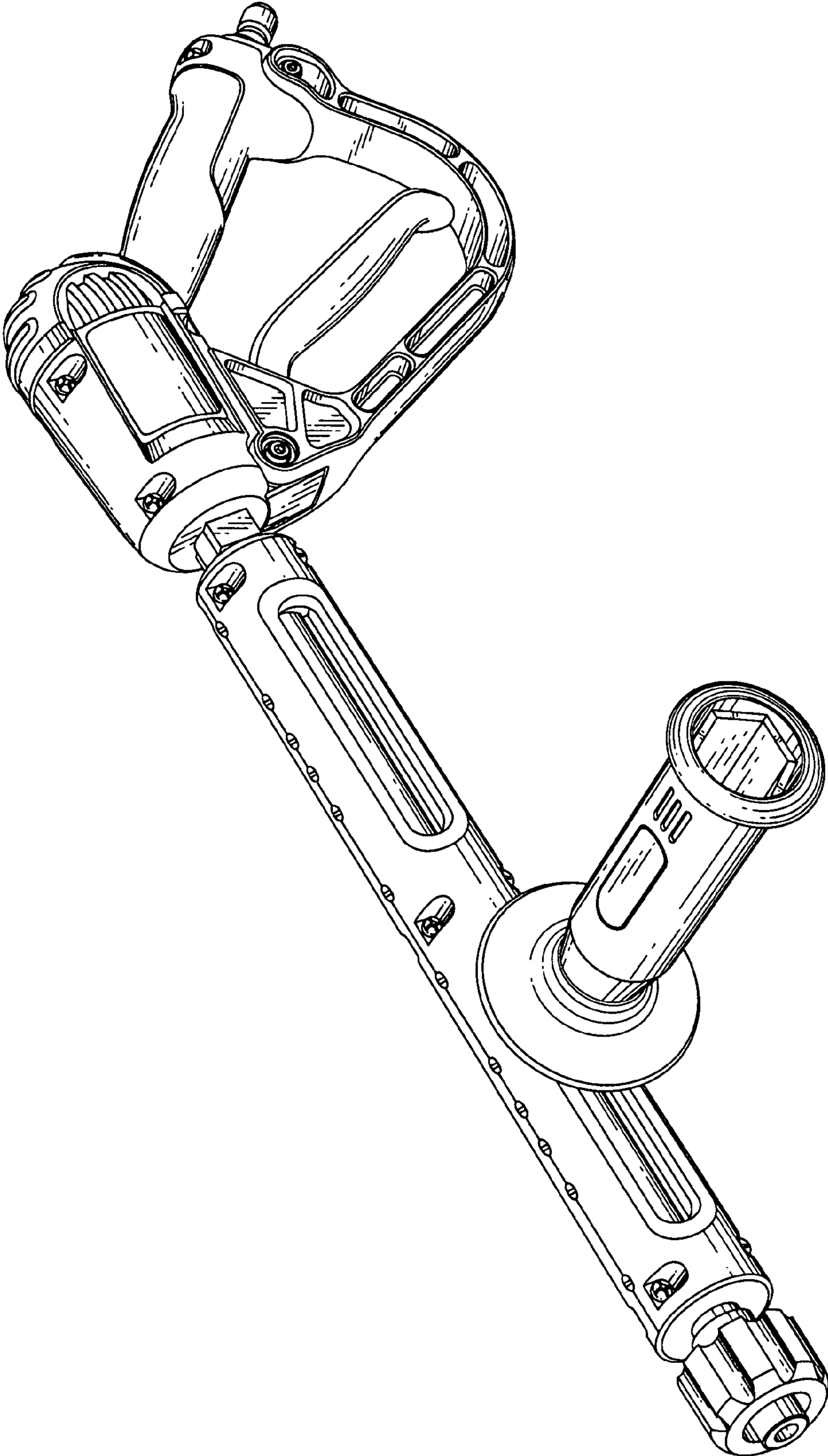


Fig. 1

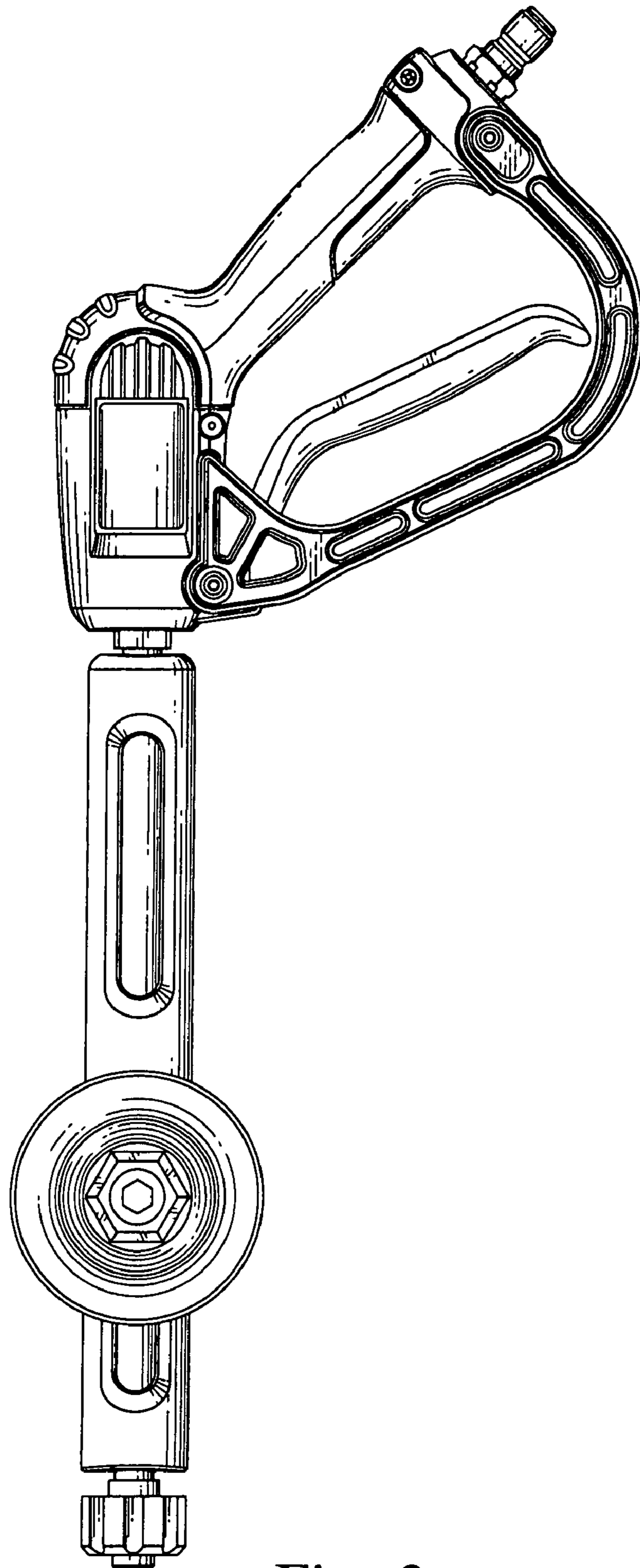


Fig. 2



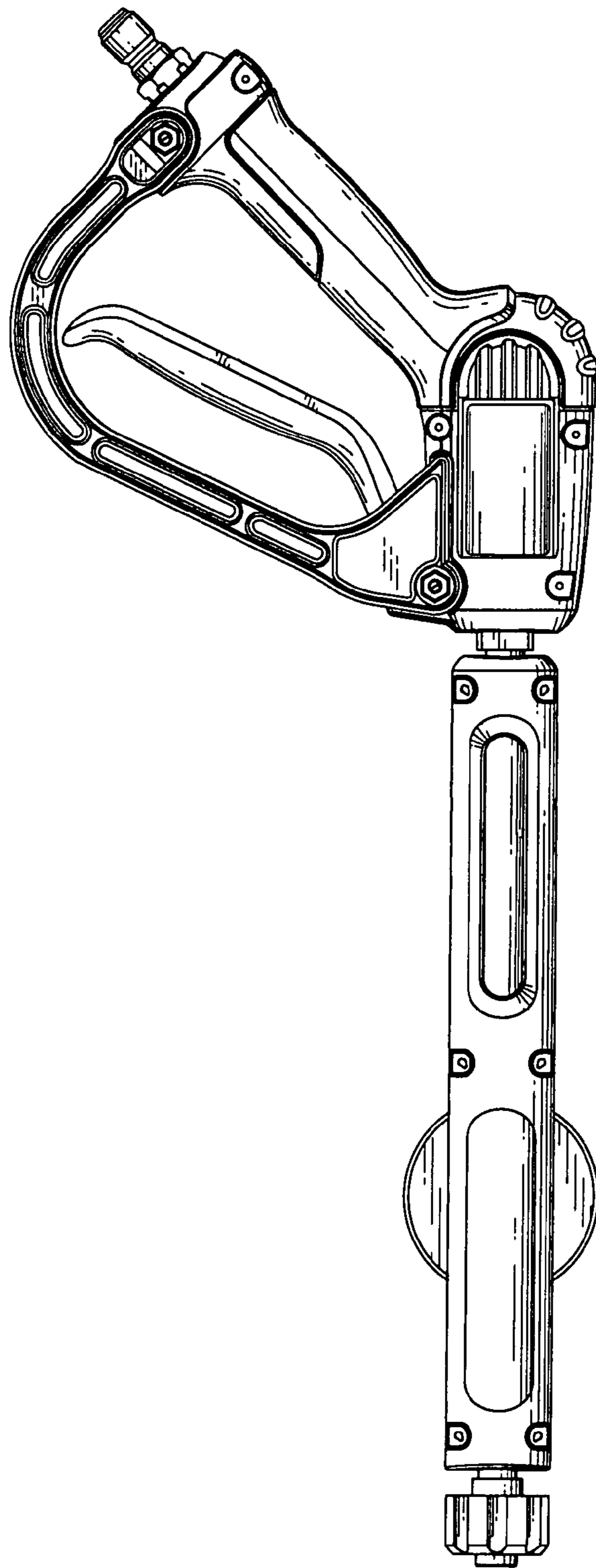


Fig. 3

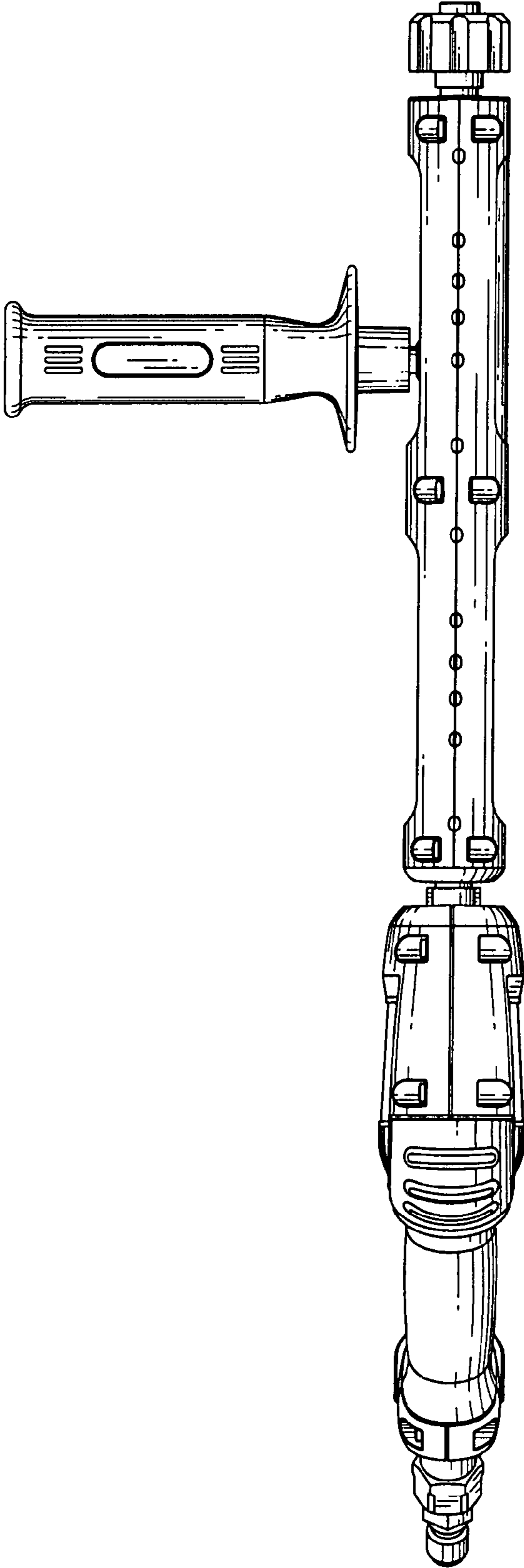


Fig. 4

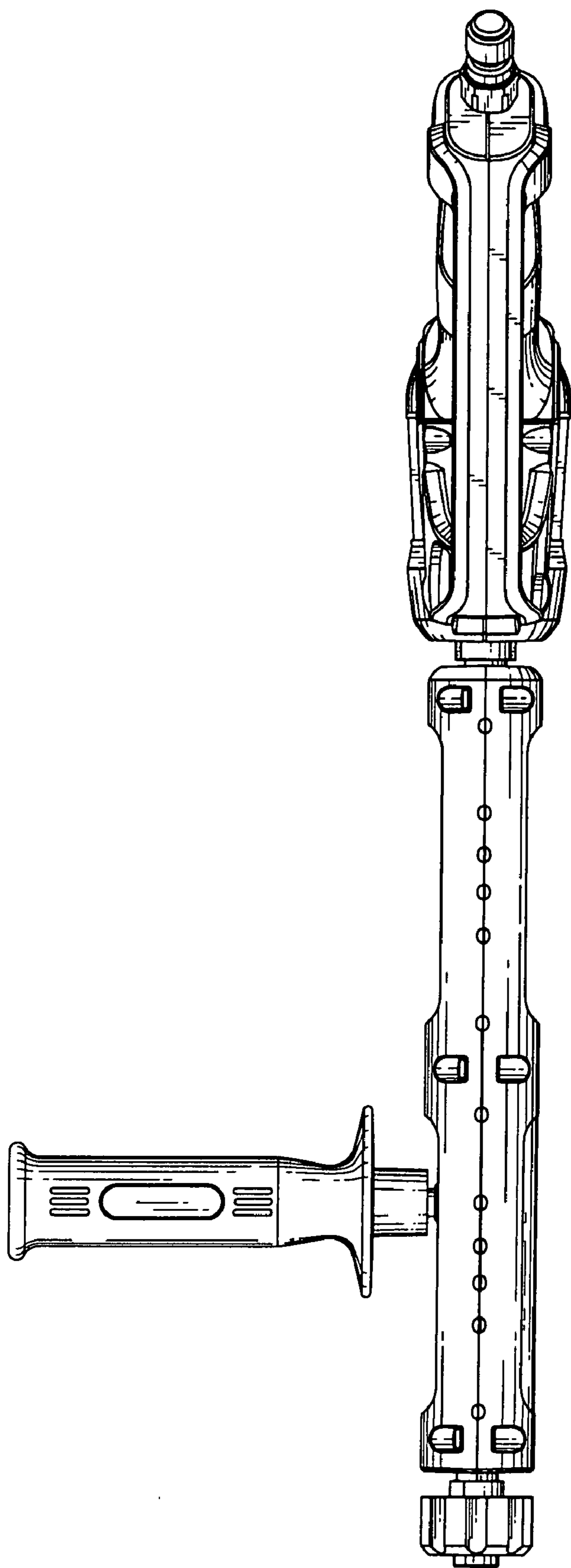


Fig. 5

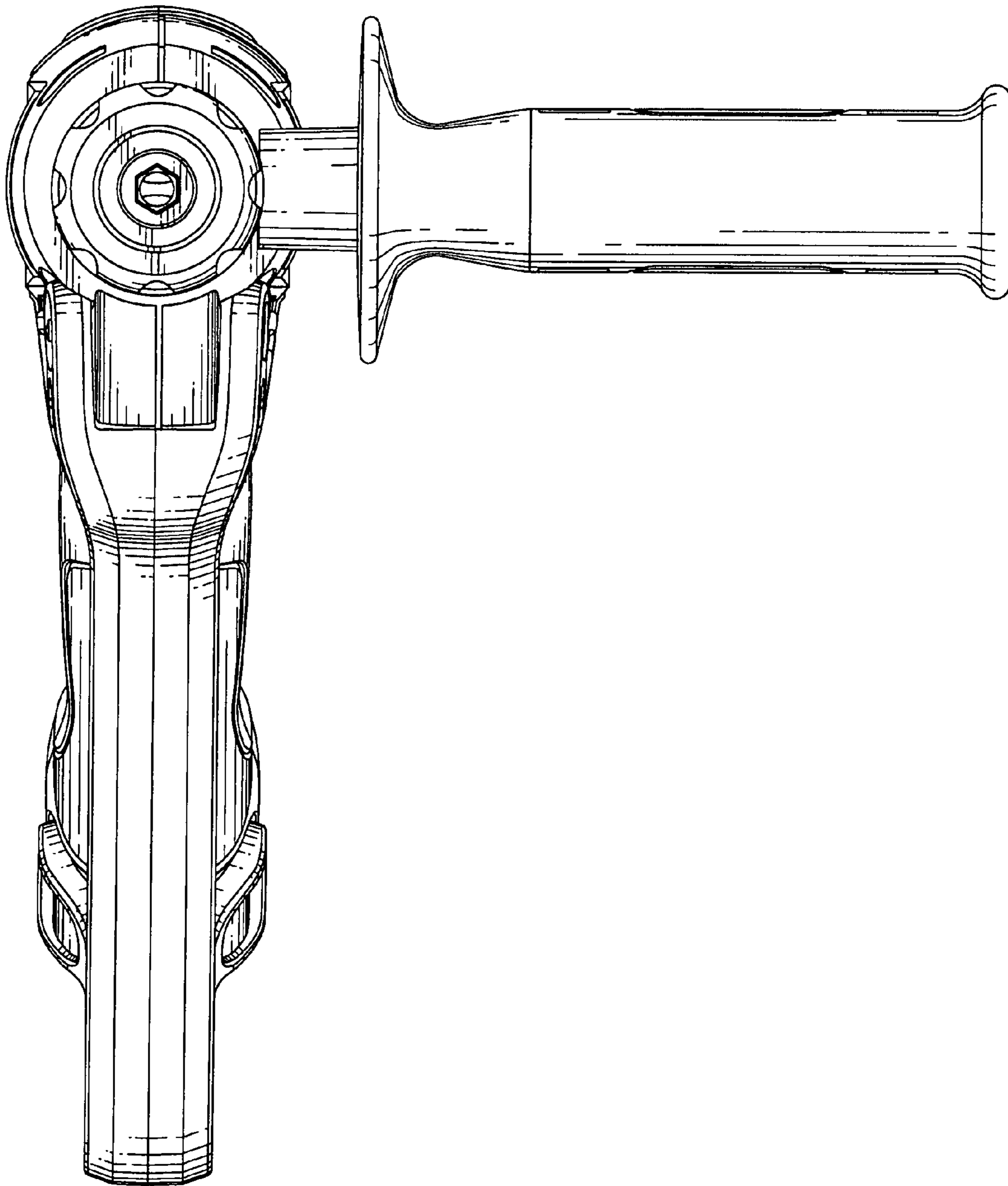


Fig. 6

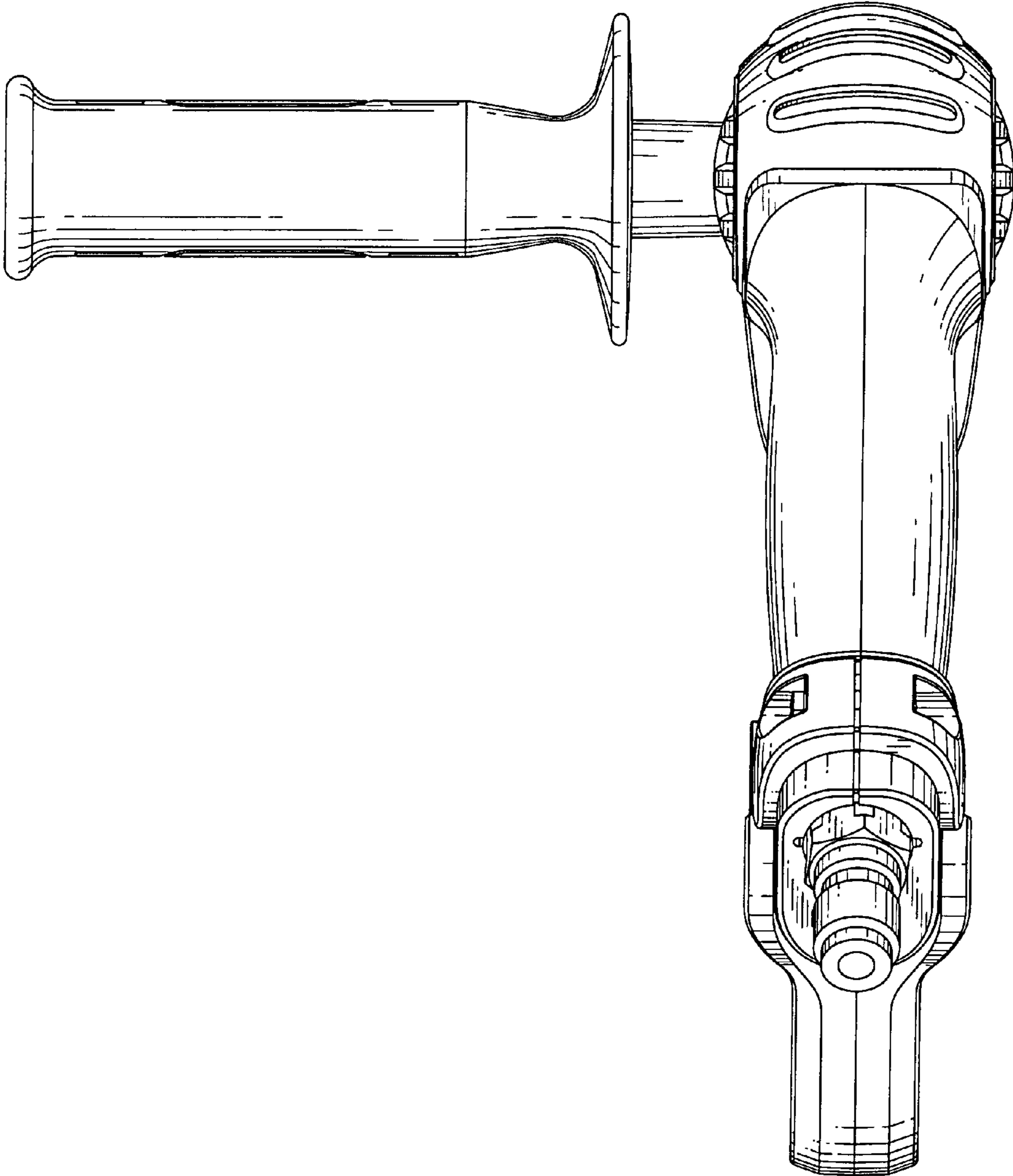


Fig. 7



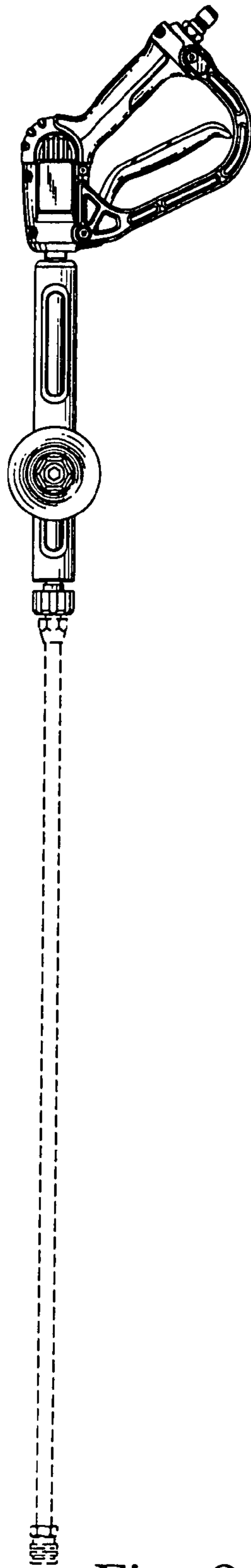


Fig. 8