



US00D573690S

(12) **United States Design Patent**  
**Meyer et al.**

(10) **Patent No.:** **US D573,690 S**  
(45) **Date of Patent:** **\*\* Jul. 22, 2008**

(54) **SPRAY PISTOL FOR USE WITH HIGH PRESSURE CLEANING DEVICE**

(75) Inventors: **Michael Meyer**, Winterbach (DE);  
**Christian Rummel**, Benningen (DE)

(73) Assignee: **Alfred Kaercher GmbH & Co. KG**,  
Winnenden (DE)

(\*\*) Term: **14 Years**

(21) Appl. No.: **29/292,326**

(22) Filed: **Oct. 4, 2007**

(30) **Foreign Application Priority Data**

Apr. 5, 2007 (EM) ..... 000703558

(51) **LOC (8) Cl.** ..... **23-01**

(52) **U.S. Cl.** ..... **D23/223**

(58) **Field of Classification Search** ..... D23/213,  
D23/223, 226; 239/525-526

See application file for complete search history.

(56) **References Cited**

**U.S. PATENT DOCUMENTS**

D499,791 S \* 12/2004 Etter ..... D23/226  
D518,556 S \* 4/2006 Amaduzzi ..... D23/226  
D518,873 S \* 4/2006 Carpanese ..... D23/223  
D524,404 S \* 7/2006 Mineau et al. .... D23/213

**OTHER PUBLICATIONS**

Extract from catalog of Alfred Kaercher GmbH & Co. KG, "Catalogue 2001/2002", cover, pp. 6-7, 18-20, 22-24, 28-29 and last page (Jun. 2001).

Extract from catalog of Alfred Kaercher GmbH & Co. KG, "Programme 2002", cover, pp. 7, 10, 38-41, 45, 48, 50, 52-53, 58, 64 and last page (Feb. 2002).

Extract from catalog of Alfred Kaercher GmbH & Co. KG, "Programme 2003", cover, pp. 7, 10-12, 14, 46, 48, 51-53, 56-57, 61, 74 and last page (Dec. 2002).

Extract from catalog of Alfred Kaercher GmbH & Co. KG, "Programme 2004", cover, pp. 5, 13-16, 20, 47, 69, 73, 84, 88, and last page (Feb. 2004).

Extract from catalog of Alfred Kaercher GmbH & Co. KG, "Programme 2005", cover, pp. 6-10, 13-14, 67-69, 71-73, 75, 78-83 and last page (Dec. 2004).

Extract from catalog of Alfred Kaercher GmbH & Co. KG, "Programme 2006", cover, pp. 6-9, 73, 89 and last page (Dec. 2005).

\* cited by examiner

*Primary Examiner*—Robin V Webster

(74) *Attorney, Agent, or Firm*—Lipsitz & McAllister, LLC

(57) **CLAIM**

The ornamental design for spray pistol for use with high pressure cleaning device, as shown and described.

**DESCRIPTION**

FIG. 1 is a front, top and right side perspective view of the design;

FIG. 2 is a front, top and left side perspective view of the design;

FIG. 3 is a front elevational view of the design;

FIG. 4 is a right side elevational view of the design;

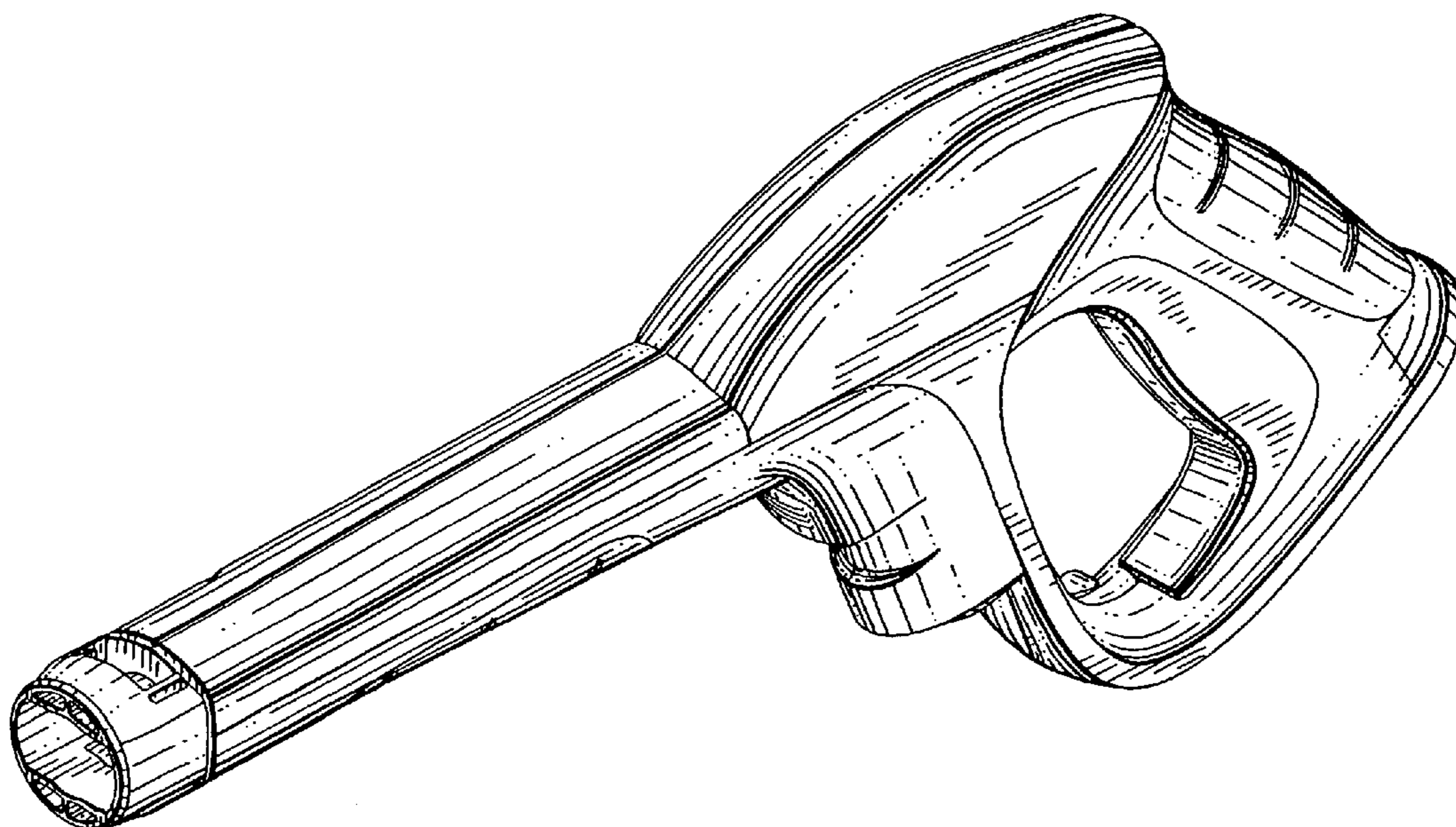
FIG. 5 is a rear elevational view of the design;

FIG. 6 is a left side elevational view of the design;

FIG. 7 is a top plan view of the design; and,

FIG. 8 is a bottom plan view of the design.

**1 Claim, 6 Drawing Sheets**



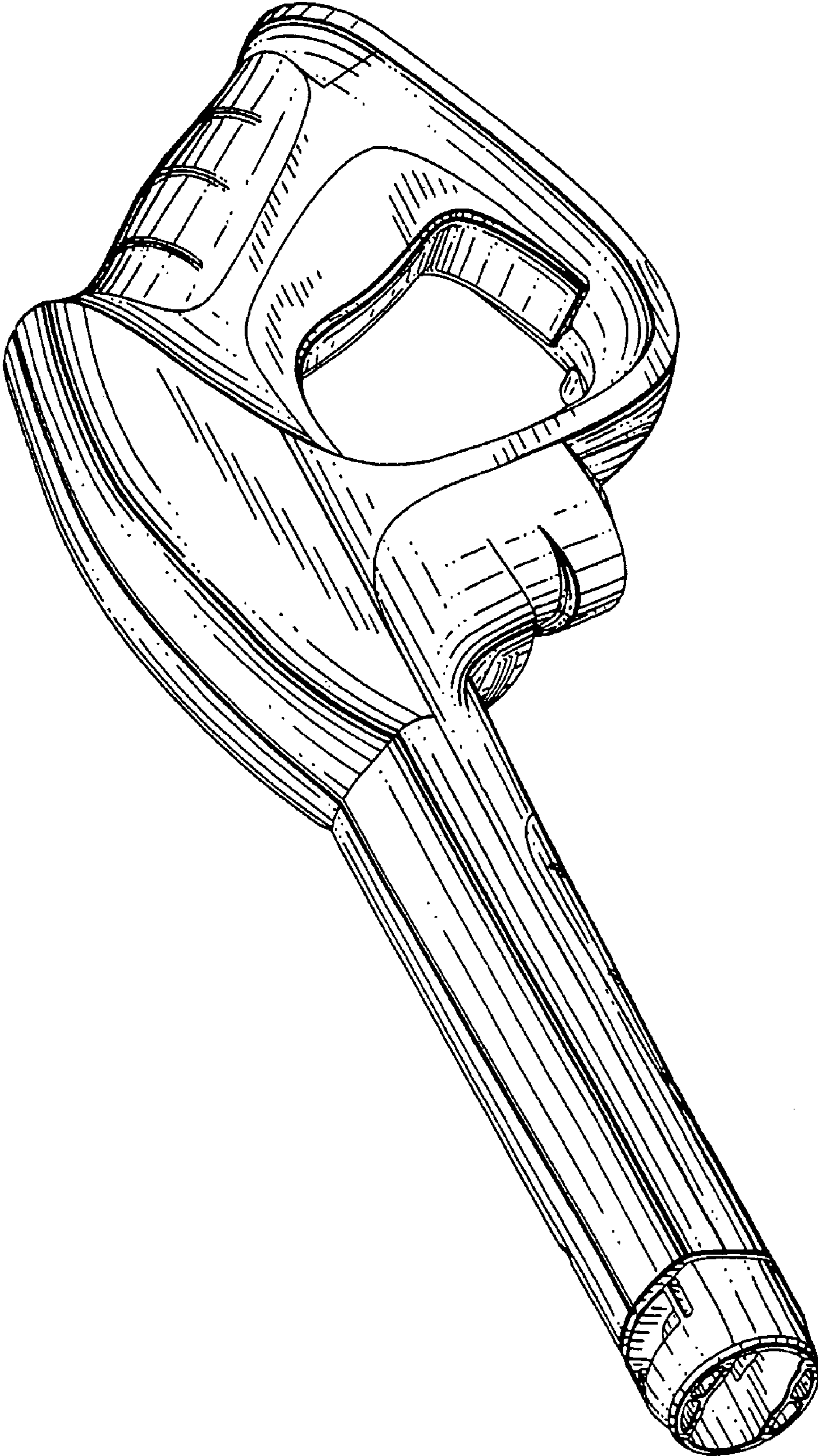


FIG.1

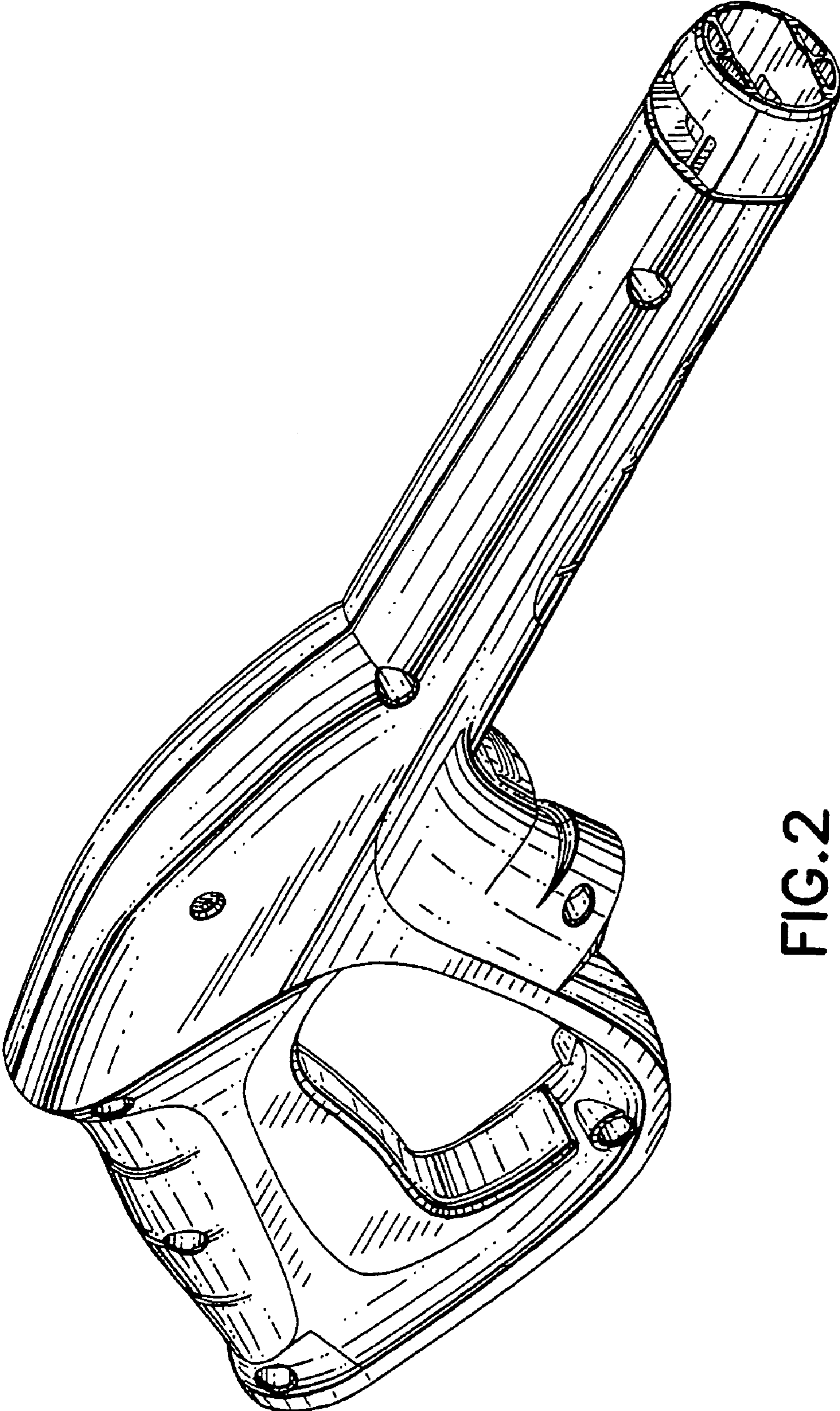


FIG.2

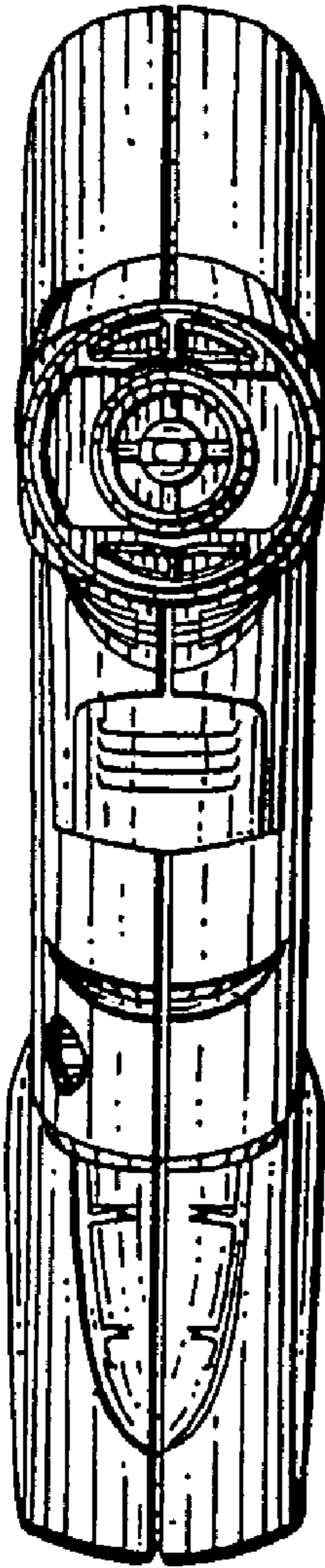


FIG. 3

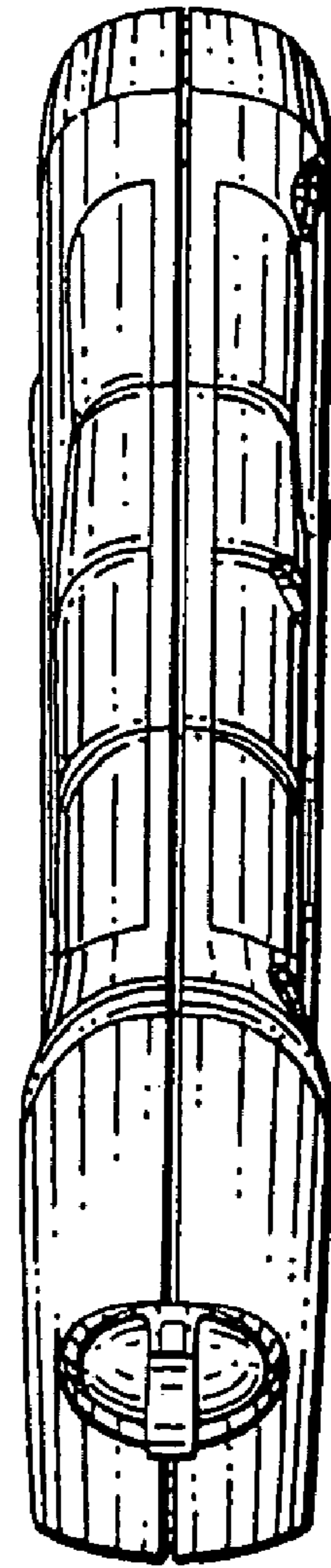


FIG. 5

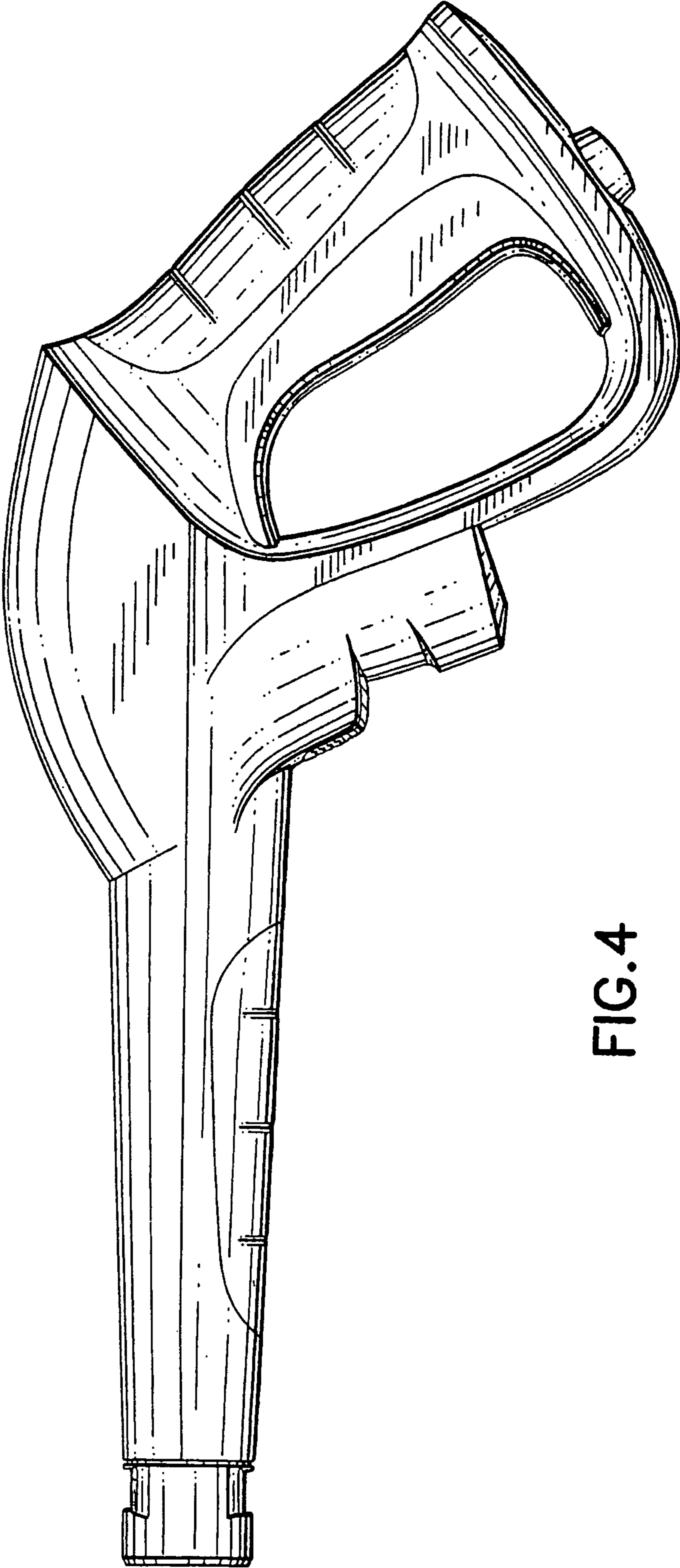


FIG.4

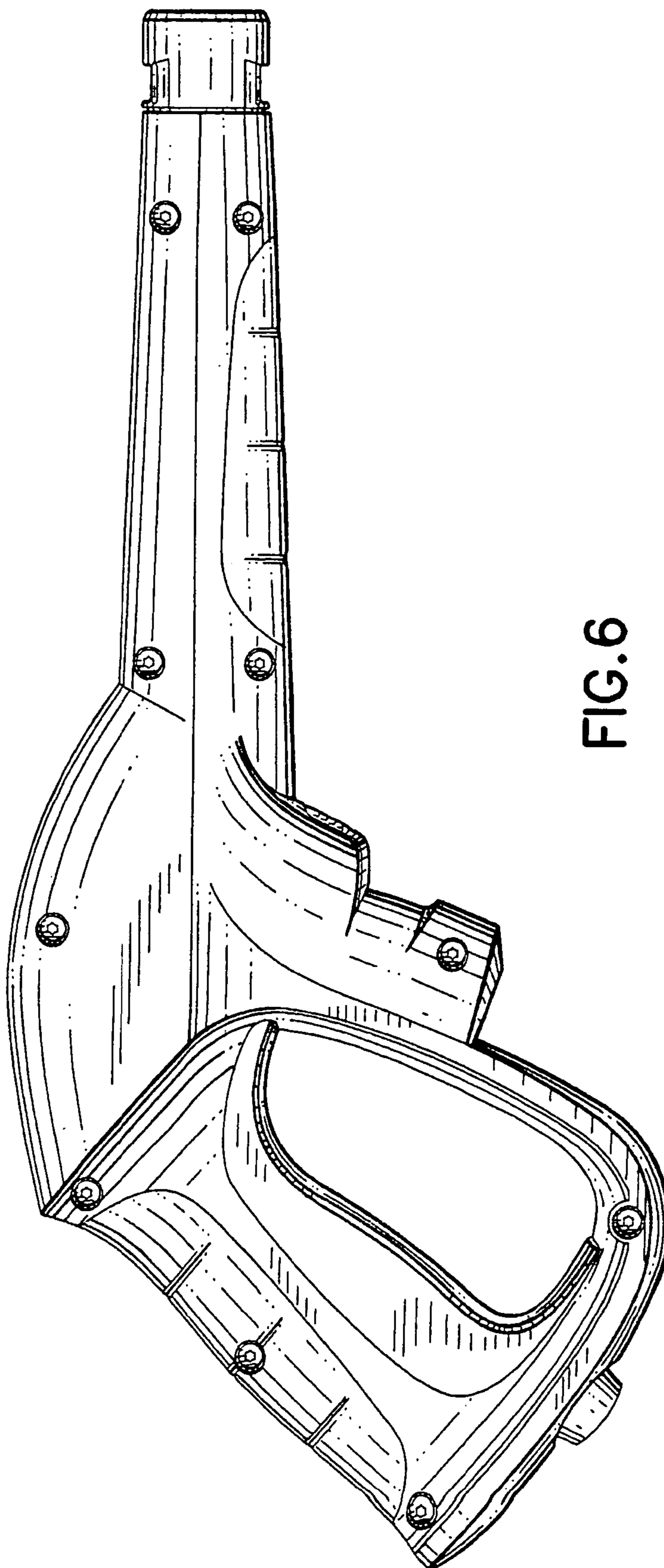


FIG. 6

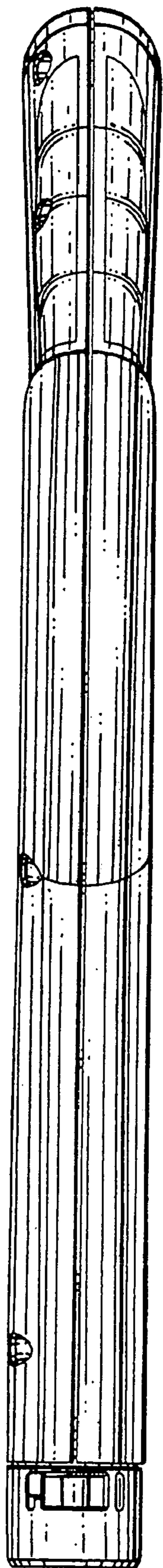


FIG. 7

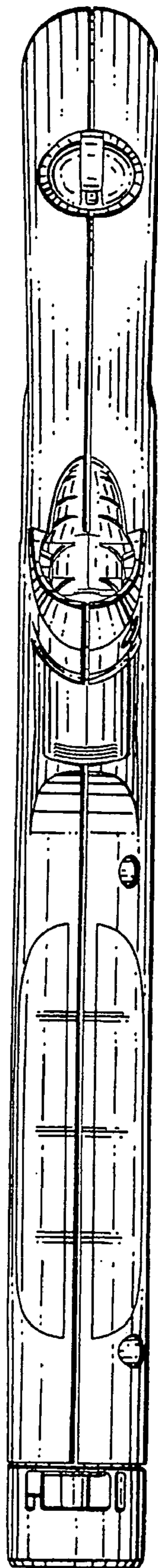


FIG. 8