



US00D573689S

(12) **United States Design Patent**
Tullney et al.

(10) **Patent No.:** **US D573,689 S**
(45) **Date of Patent:** **** Jul. 22, 2008**

(54) **SPRAY GUN**

D321,926 S * 11/1991 Steinberg D23/223
D512,122 S * 11/2005 Yorns et al. D23/223
D554,231 S * 10/2007 Chih D23/213

(75) Inventors: **Heiko Tullney**, Hamburg (DE); **Günter
Wissmann**, Schenefeld (DE); **Elmar
Krayner**, Langenargen (DE)

* cited by examiner

(73) Assignee: **J. Wagner GmbH**, Markdorf (DE)

Primary Examiner—Robin V Webster
(74) *Attorney, Agent, or Firm*—Pandiscio & Pandiscio

(**) Term: **14 Years**

(57) **CLAIM**

(21) Appl. No.: **29/289,824**

The ornamental design for a spray gun, as shown and described.

(22) Filed: **Aug. 2, 2007**

(30) **Foreign Application Priority Data**

DESCRIPTION

Feb. 21, 2007 (EM) 000687678

FIG. 1 is a perspective view of a spray gun showing our new design;

(51) **LOC (8) Cl.** **23-01**

FIG. 2 is a rear elevational view thereof;

(52) **U.S. Cl.** **D23/223**

FIG. 3 is a bottom view thereof;

(58) **Field of Classification Search** D23/213,
D23/223, 226; 239/525–526

FIG. 4 is a front elevational view thereof;

See application file for complete search history.

FIG. 5 is a left side elevational view thereof;

(56) **References Cited**

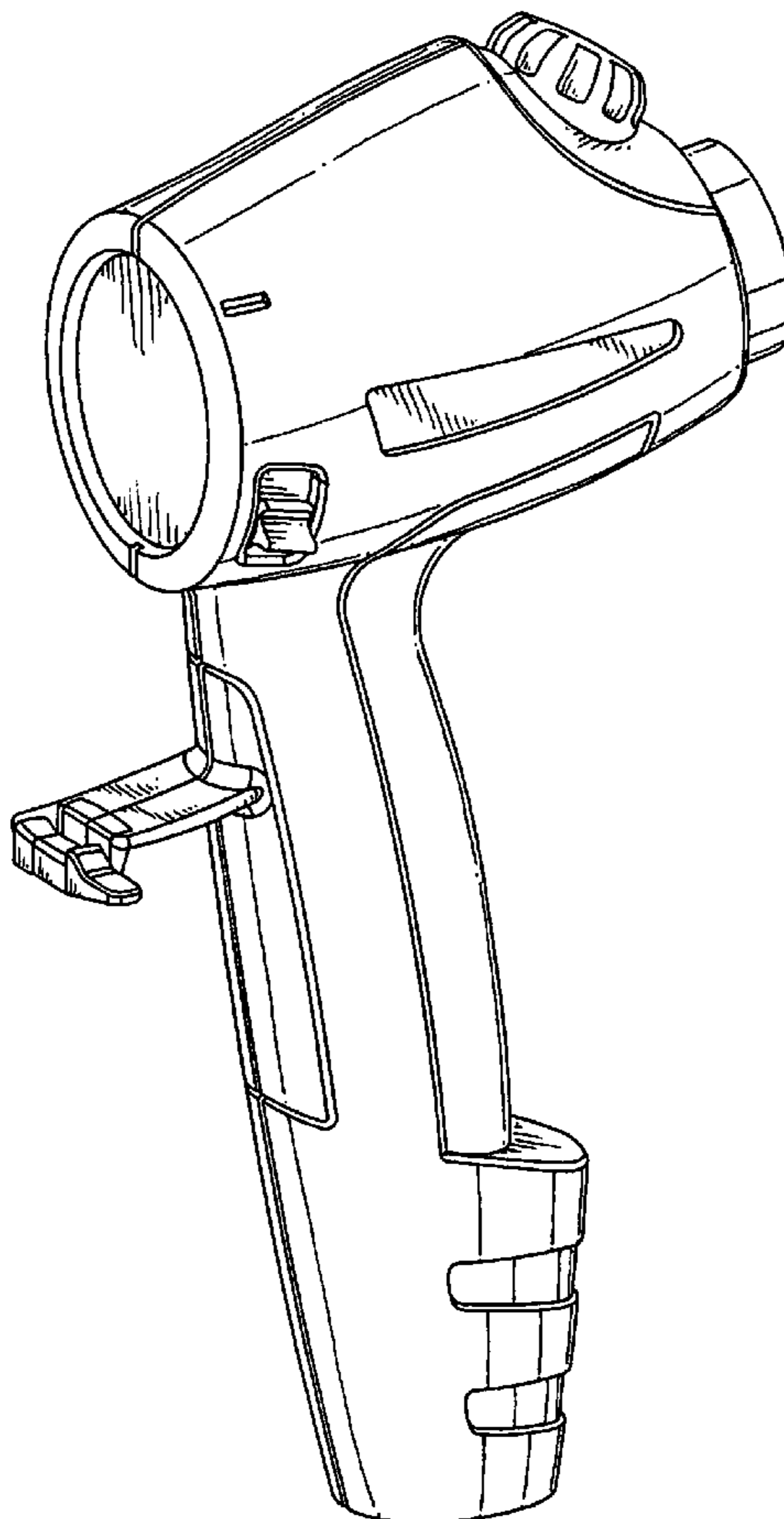
FIG. 6 is a top plan view thereof; and,

U.S. PATENT DOCUMENTS

FIG. 7 is a right side elevational view thereof.

D310,706 S * 9/1990 Heren et al. D23/226

1 Claim, 7 Drawing Sheets



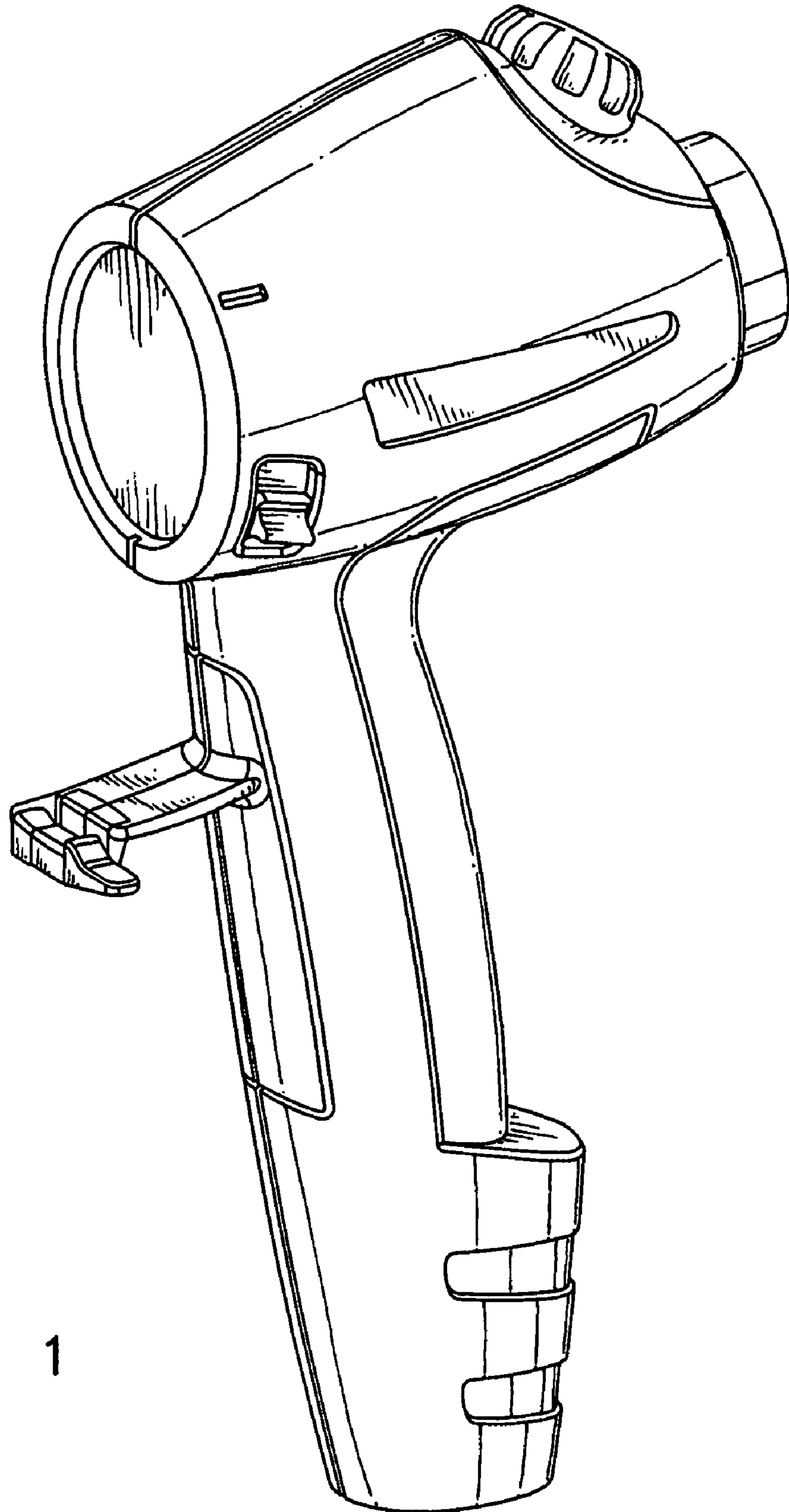


FIG. 1

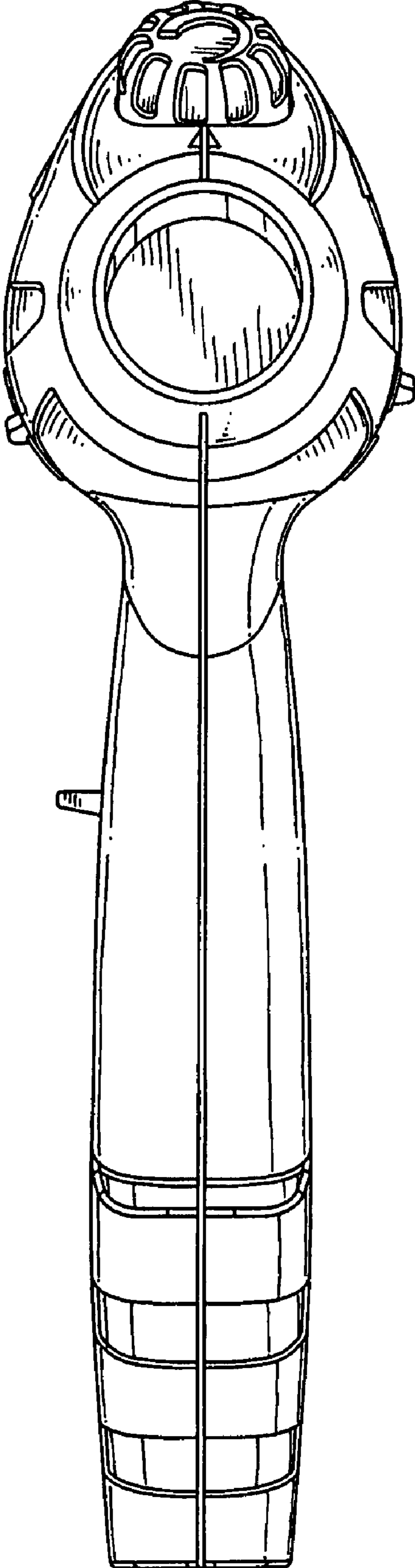


FIG. 2

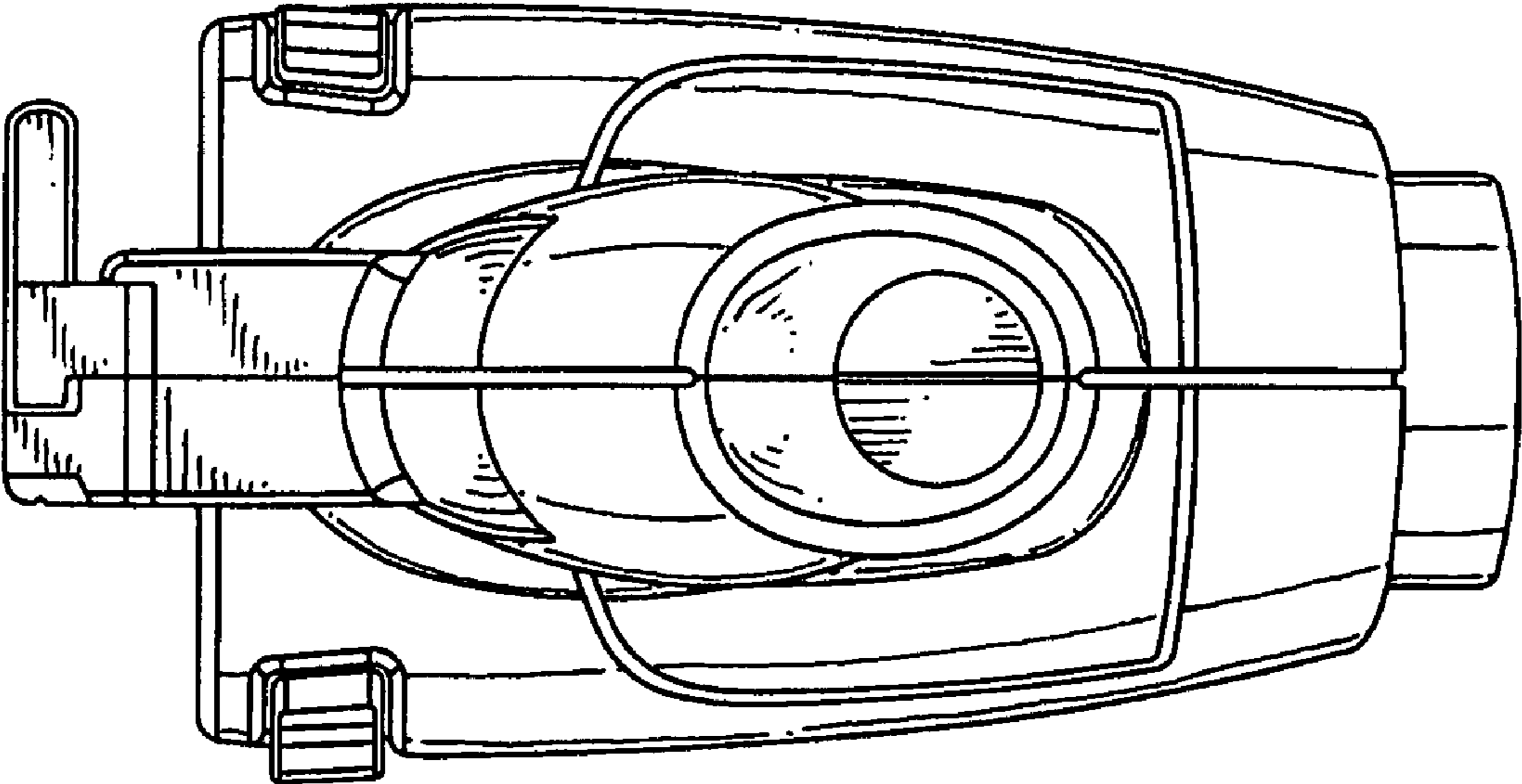


FIG. 3

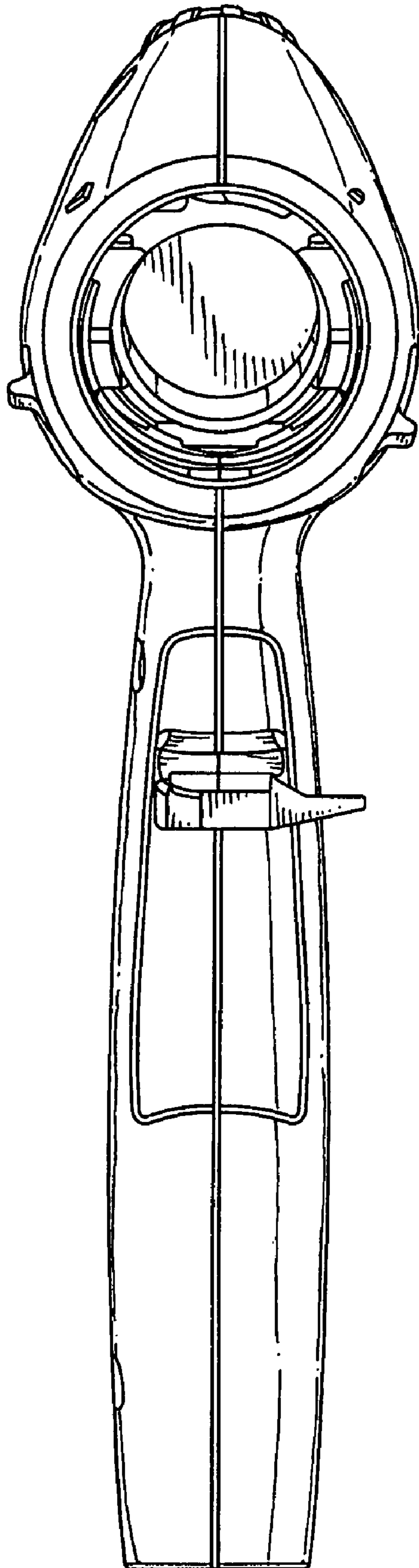


FIG. 4

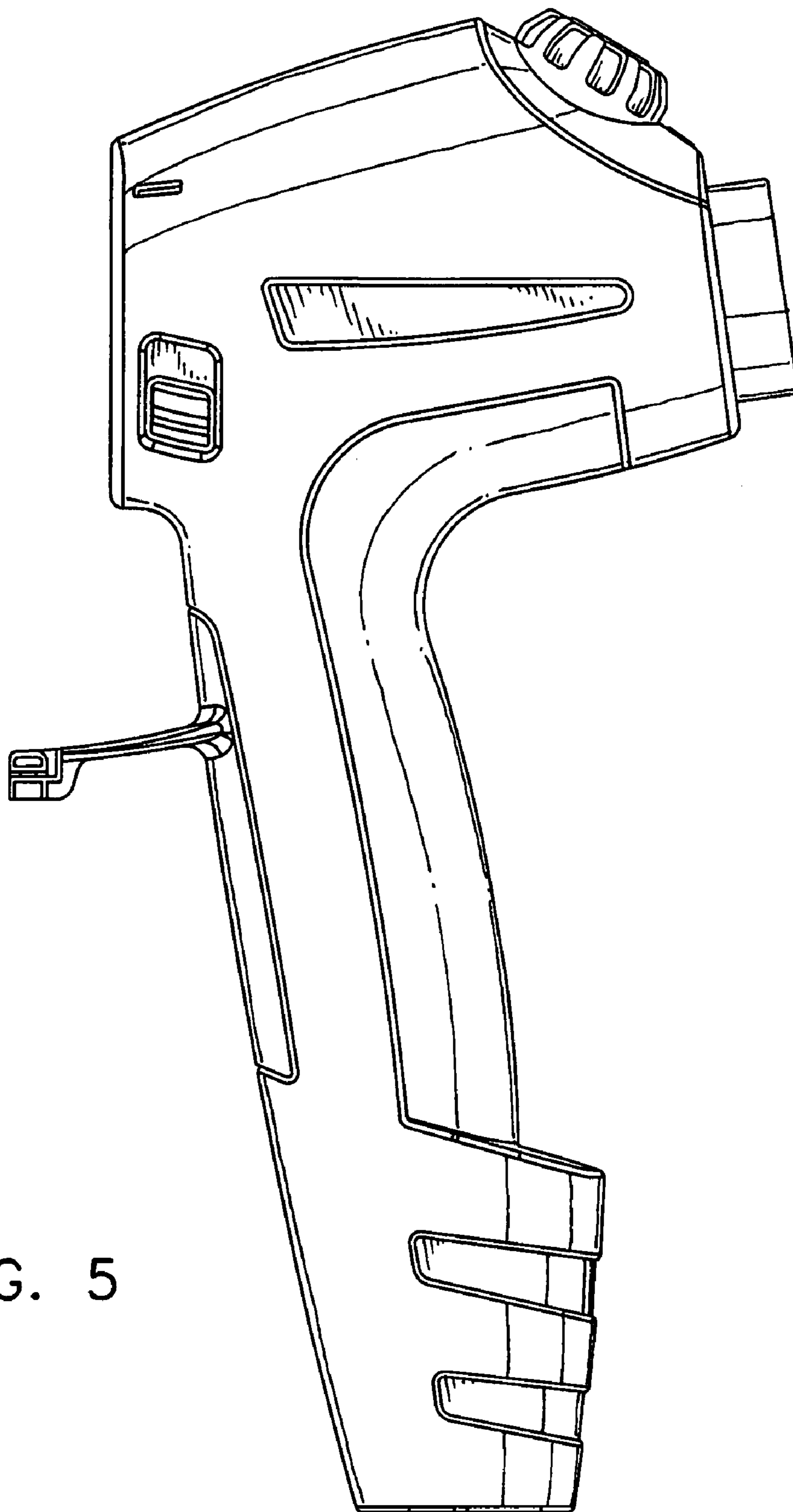


FIG. 5

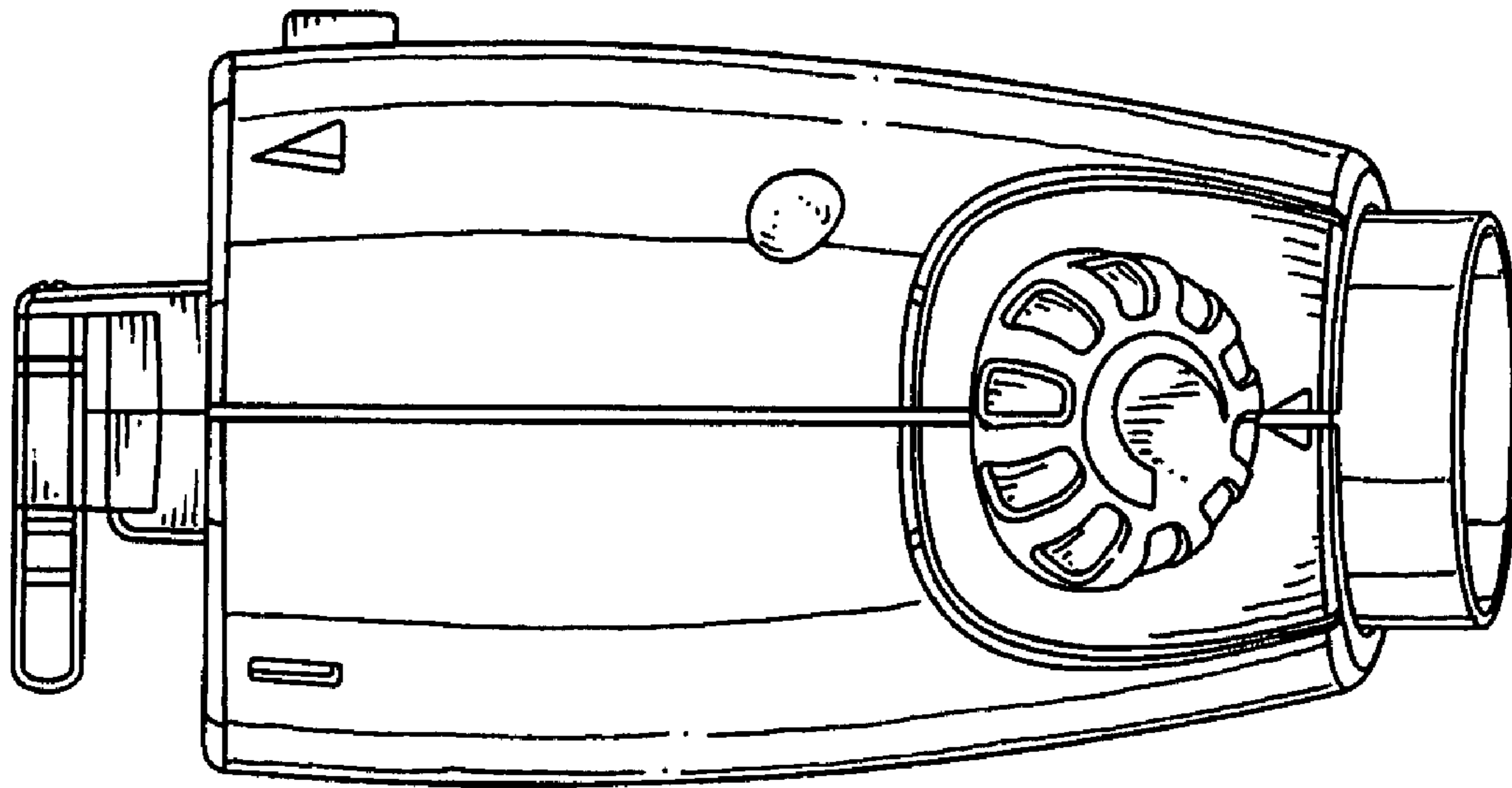


FIG. 6

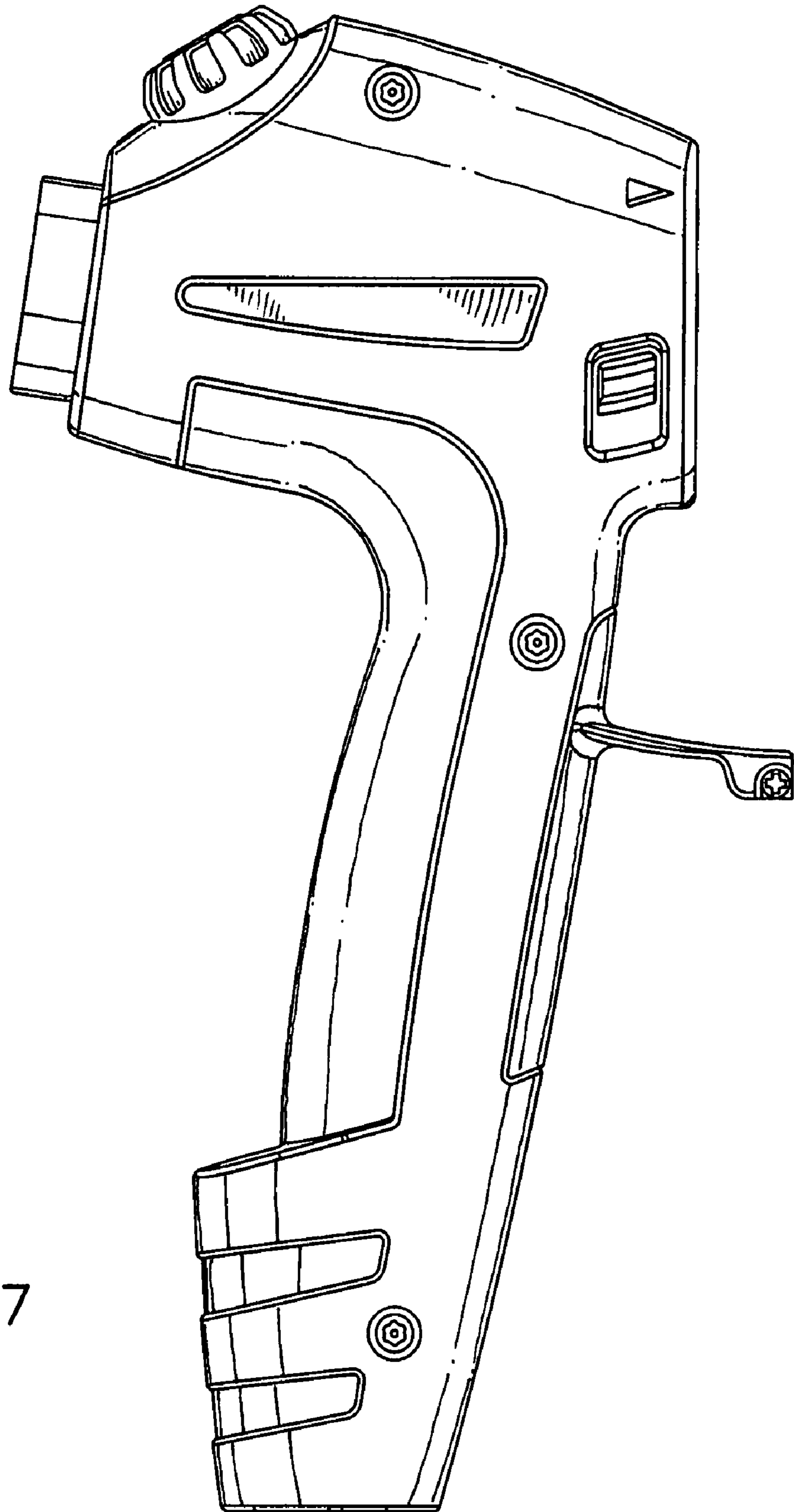


FIG. 7