



US00D573687S

(12) **United States Design Patent**
Hill

(10) **Patent No.:** **US D573,687 S**

(45) **Date of Patent:** **** Jul. 22, 2008**

(54) **DISPENSER FOR TOILET CLEANSING**

(75) Inventor: **Dean Marcus Jeffrey Hill**, Suffolk (GB)

(73) Assignee: **Jeyes Group Limited** (GB)

(**) Term: **14 Years**

(21) Appl. No.: **29/284,011**

(22) Filed: **Aug. 29, 2007**

(51) **LOC (8) Cl.** **23-01**

(52) **U.S. Cl.** **D23/208**

(58) **Field of Classification Search** D6/542;
D23/208; 4/223, 231, 225.1, 227.1
See application file for complete search history.

(56) **References Cited**

U.S. PATENT DOCUMENTS

D481,440 S *	10/2003	Bernarducci	D23/208
D500,548 S *	1/2005	Conway et al.	D23/208
D508,549 S *	8/2005	Keramidas	D23/208
D540,907 S *	4/2007	Liu	D23/208
D543,258 S *	5/2007	Liu	D23/208
D558,855 S *	1/2008	Arora et al.	D23/208

FOREIGN PATENT DOCUMENTS

EP	1522 319	10/2004
FR	2 852 616	5/2003
WO	WO 2006/090184	8/2006

* cited by examiner

Primary Examiner—Brian N Vinson

(74) *Attorney, Agent, or Firm*—Ostrolenk, Faber, Gerb & Soffen, LLP

(57) **CLAIM**

The ornamental design for a dispenser for toilet cleansing, as shown and described.

DESCRIPTION

FIG. 1 is a top, front, right side, perspective view of a first embodiment of a dispenser for toilet cleansing showing my new design;

FIG. 2 is a top, rear, left side, perspective view thereof;

FIG. 3 is a front view thereof;

FIG. 4 is a rear view thereof;

FIG. 5 is a right side view thereof, the opposite side being a mirror image;

FIG. 6 is a top view thereof; thereof;

FIG. 7 is a top, right side, front, perspective view of a third embodiment thereof;

FIG. 8 is a top, left side, rear, perspective view thereof;

FIG. 9 is a front view thereof;

FIG. 10 is a rear view thereof;

FIG. 11 is a right side view thereof, the opposite side being a mirror image; and,

FIG. 12 is a top view thereof.

The environmental material shown in broken lines forms no part of the design.

1 Claim, 6 Drawing Sheets

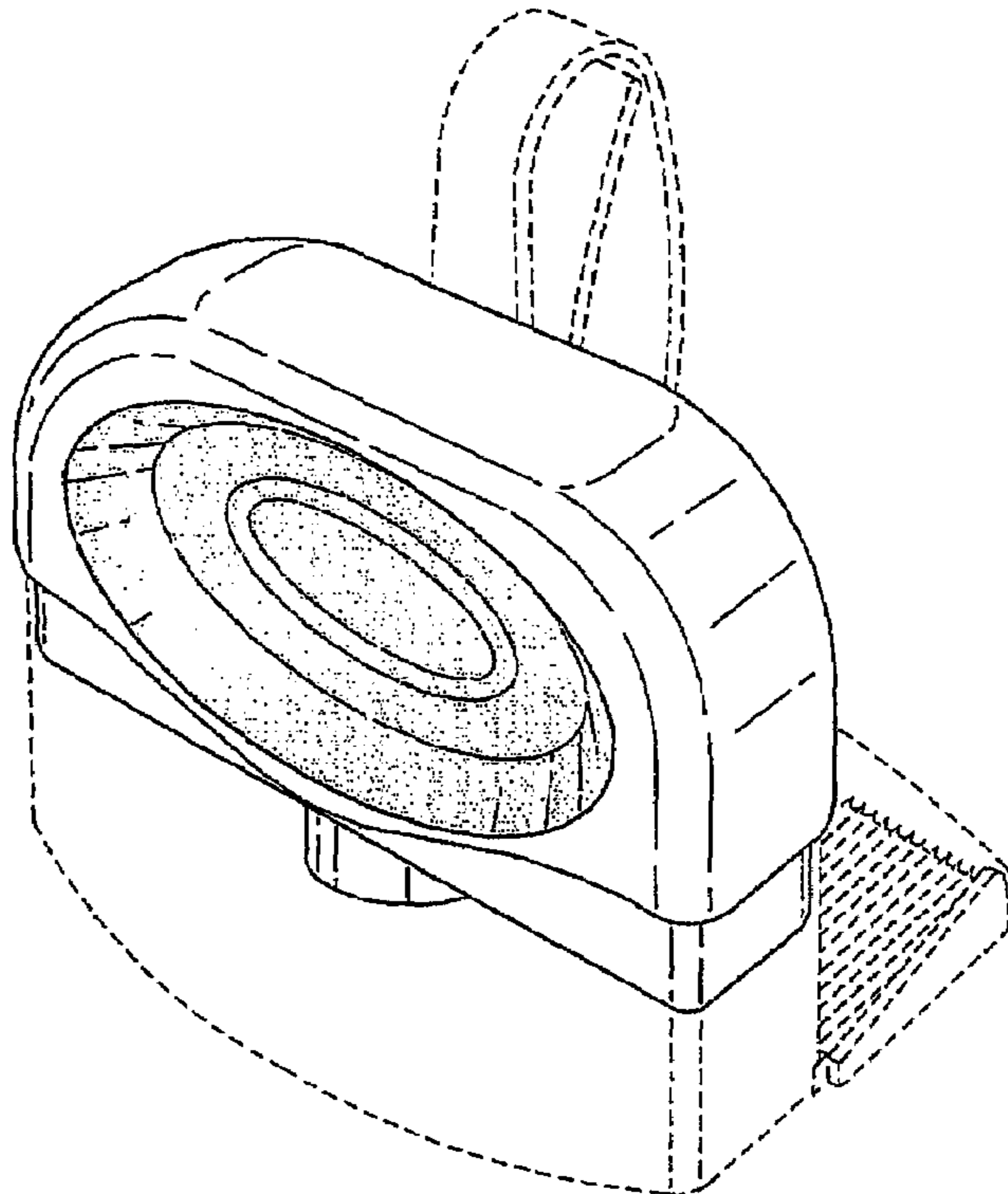


Fig.1

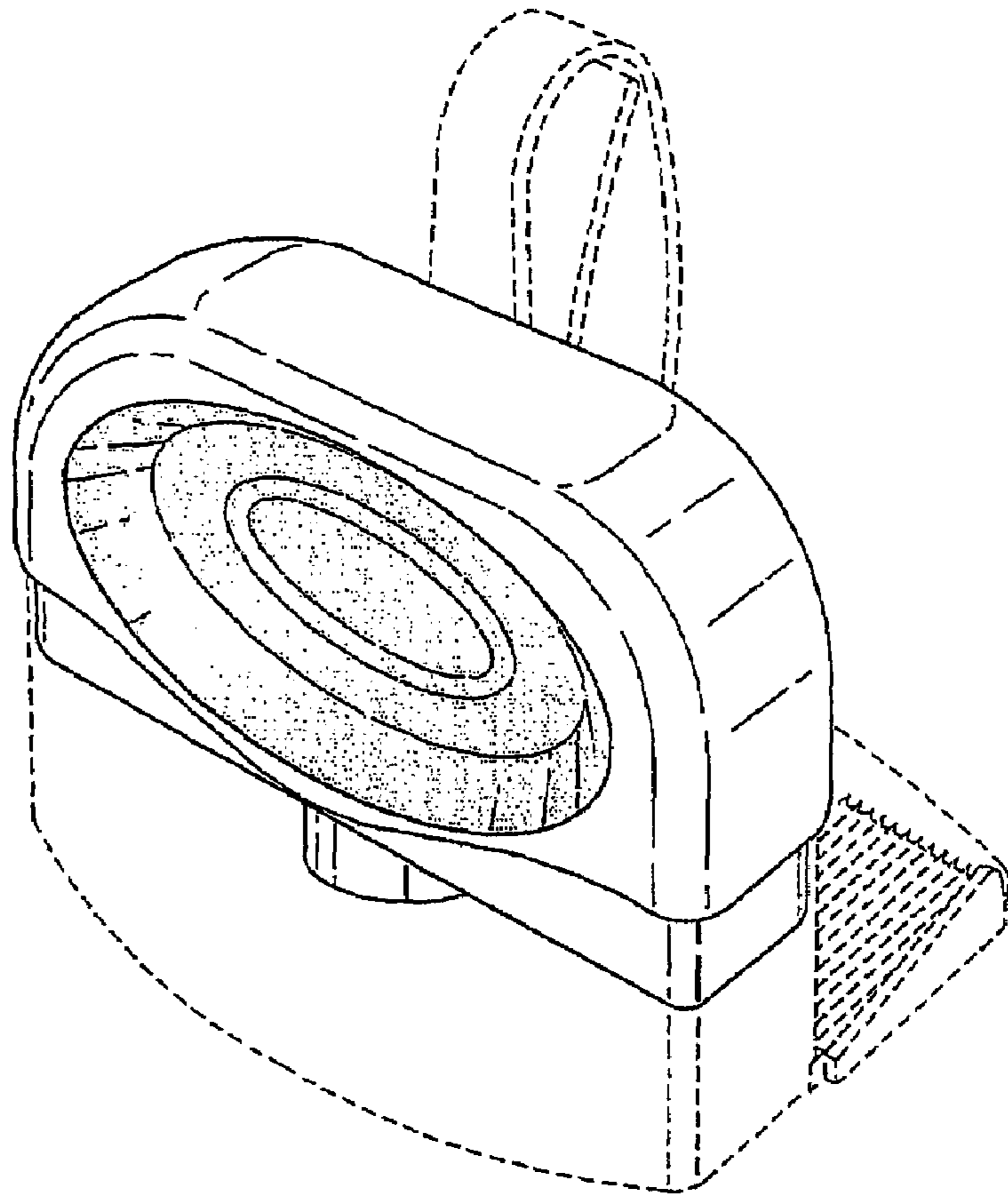
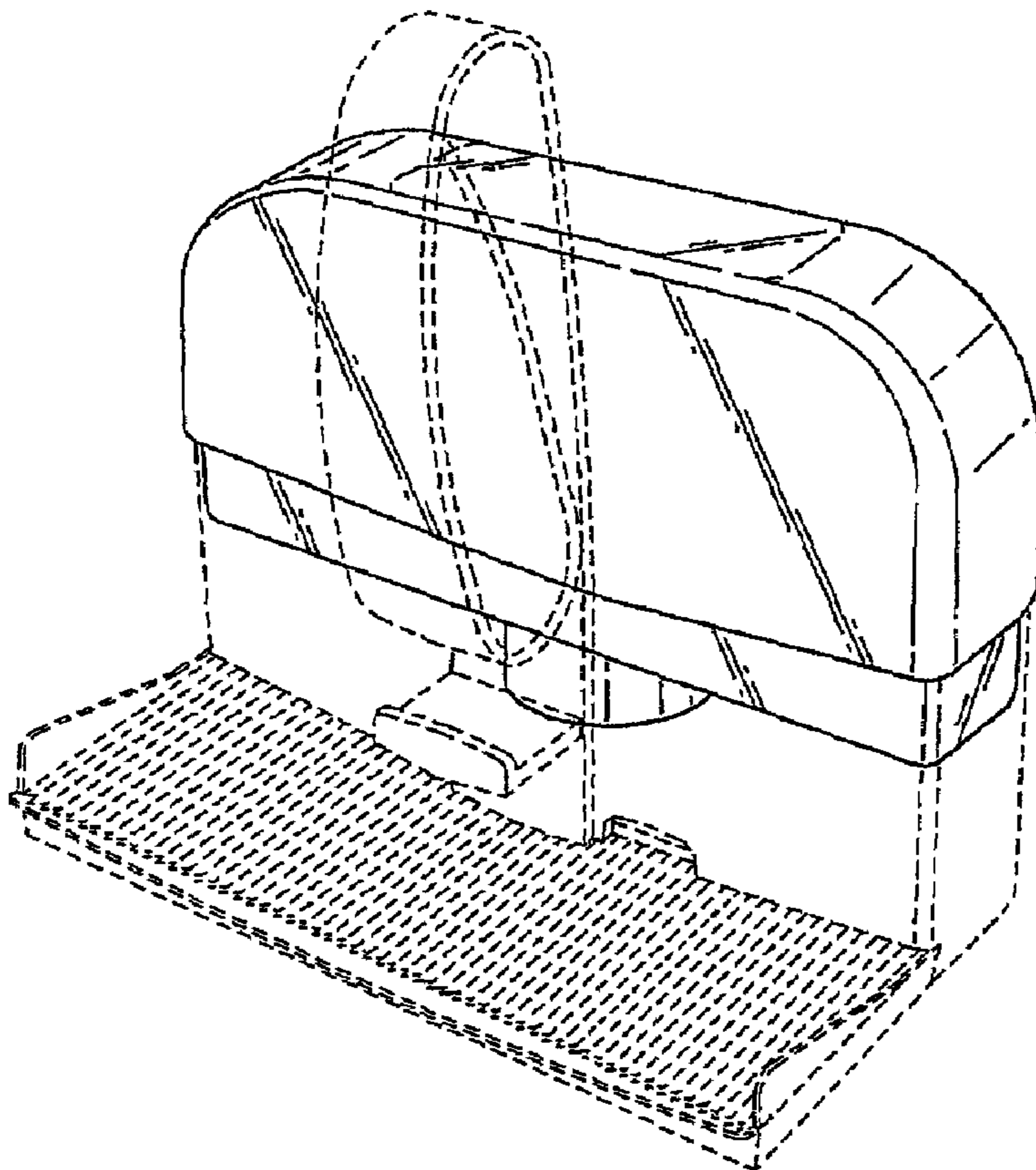


Fig.2



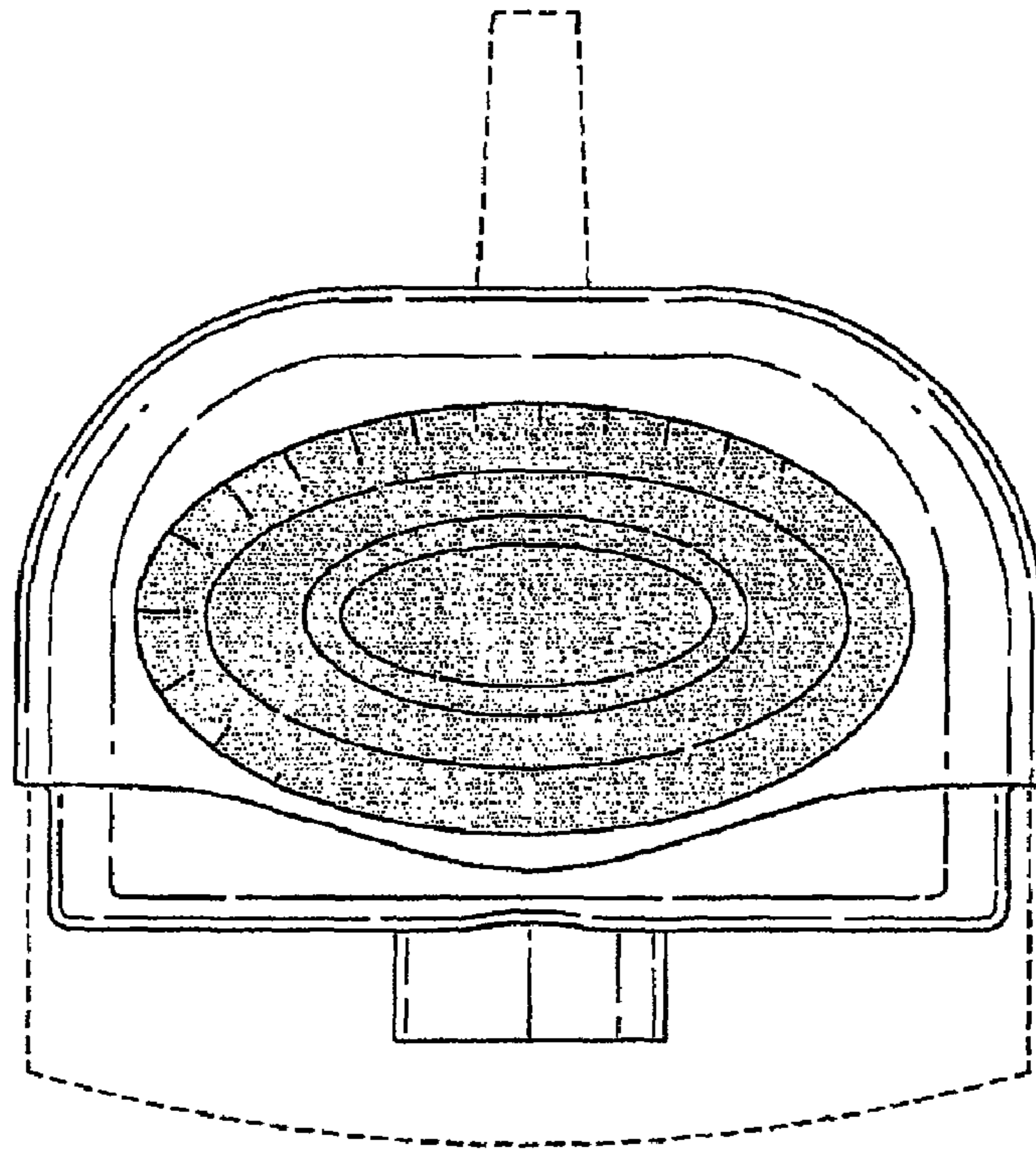


Fig.3

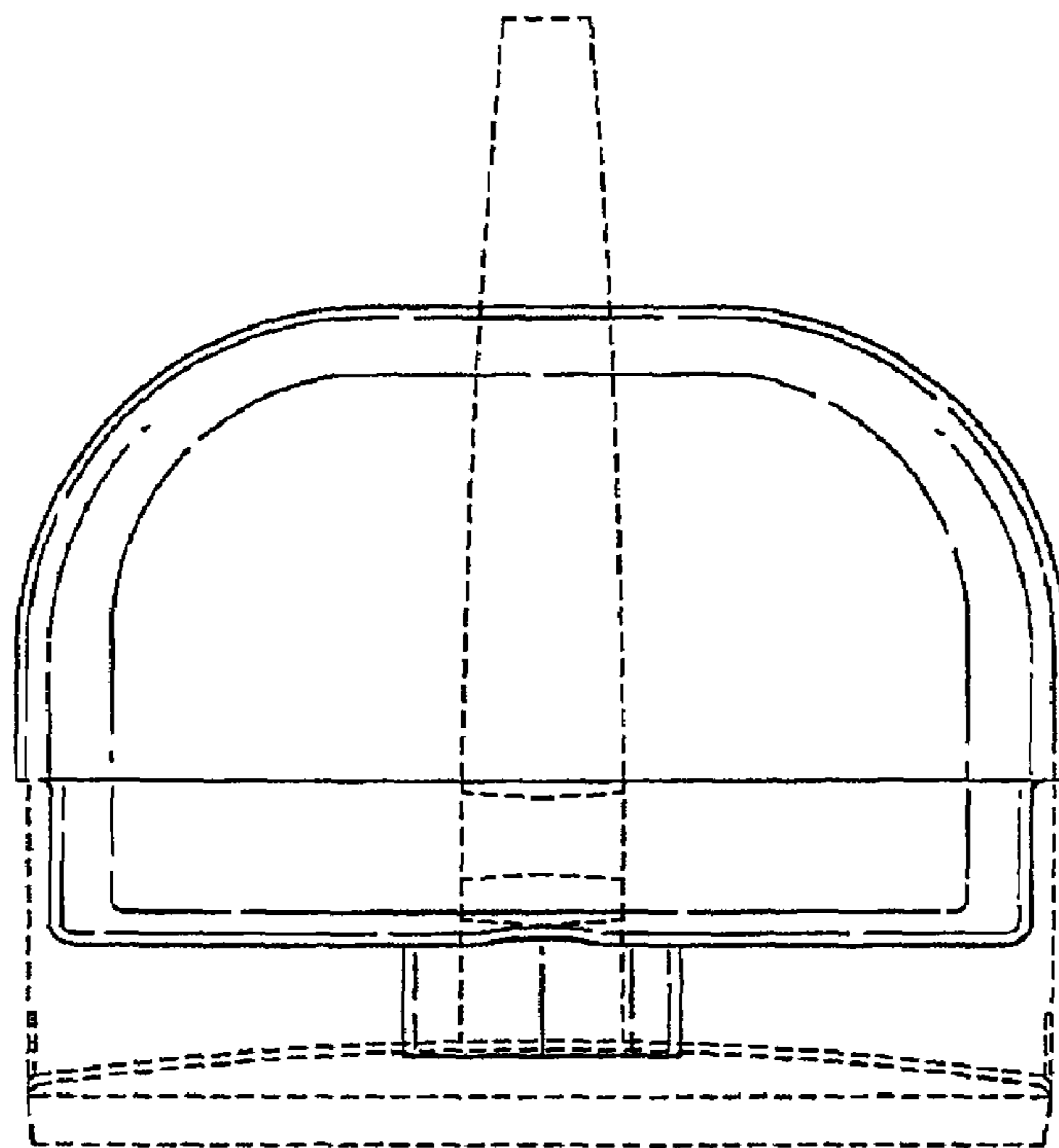


Fig.4

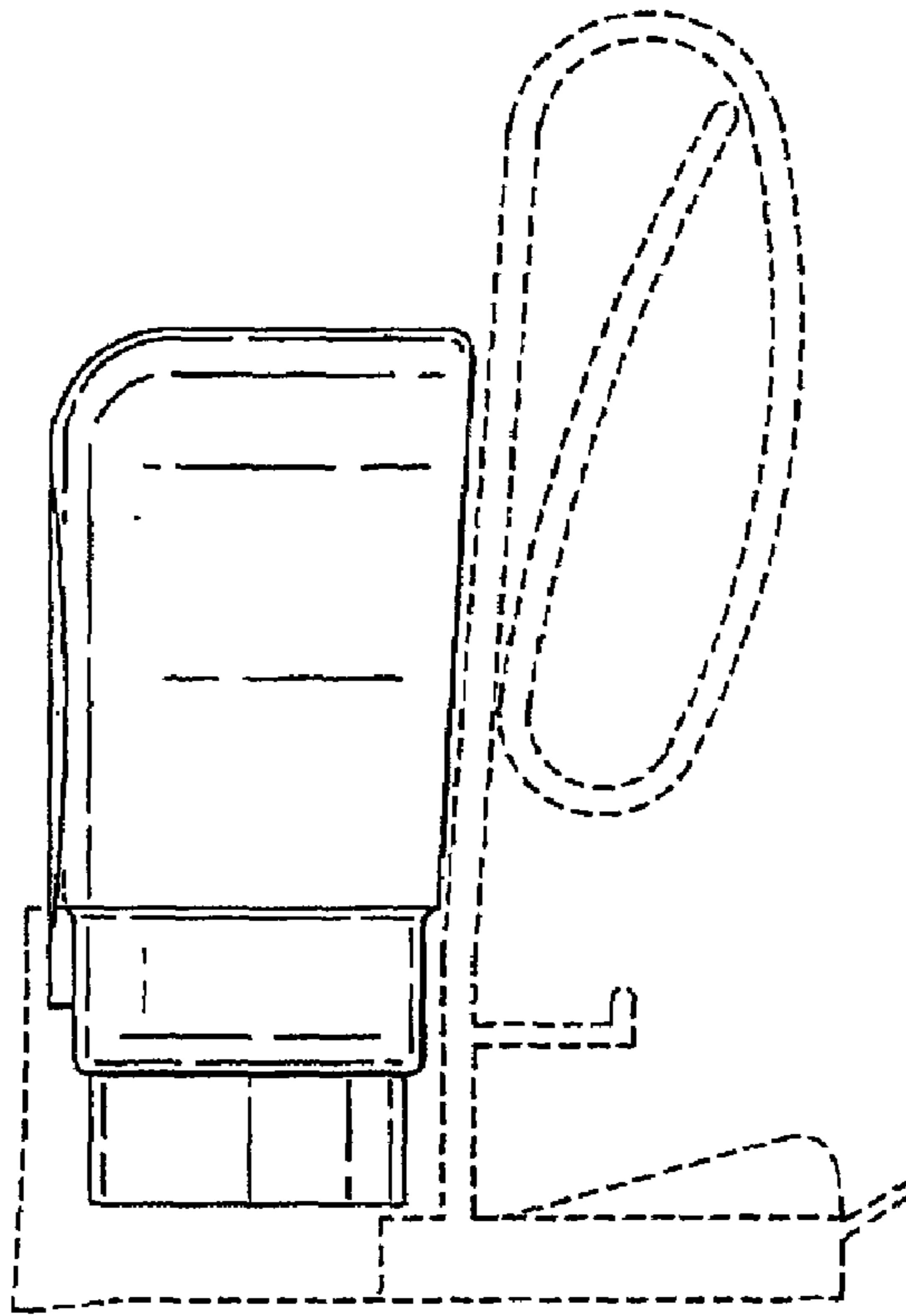


Fig.5

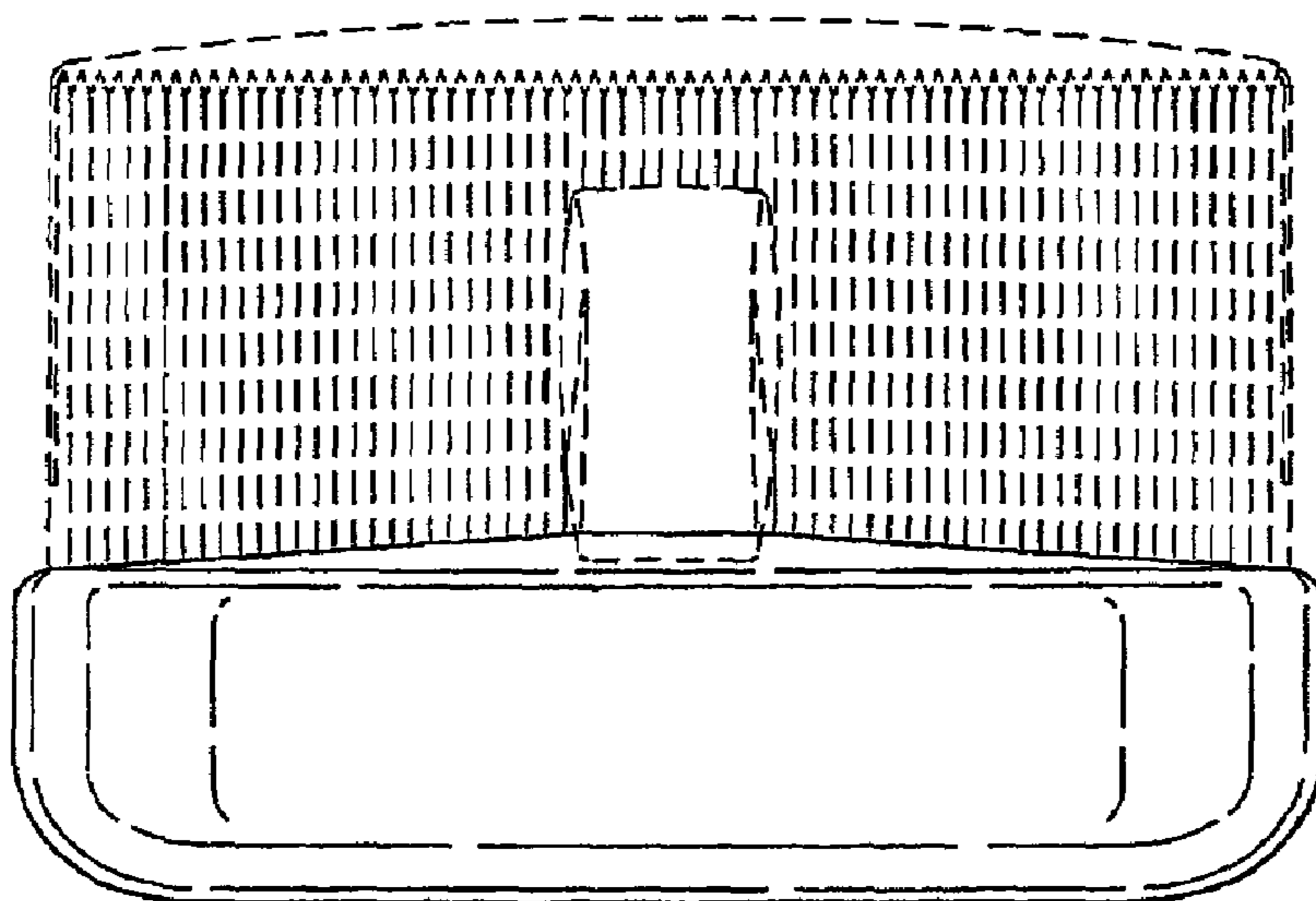


Fig.6

Fig. 7

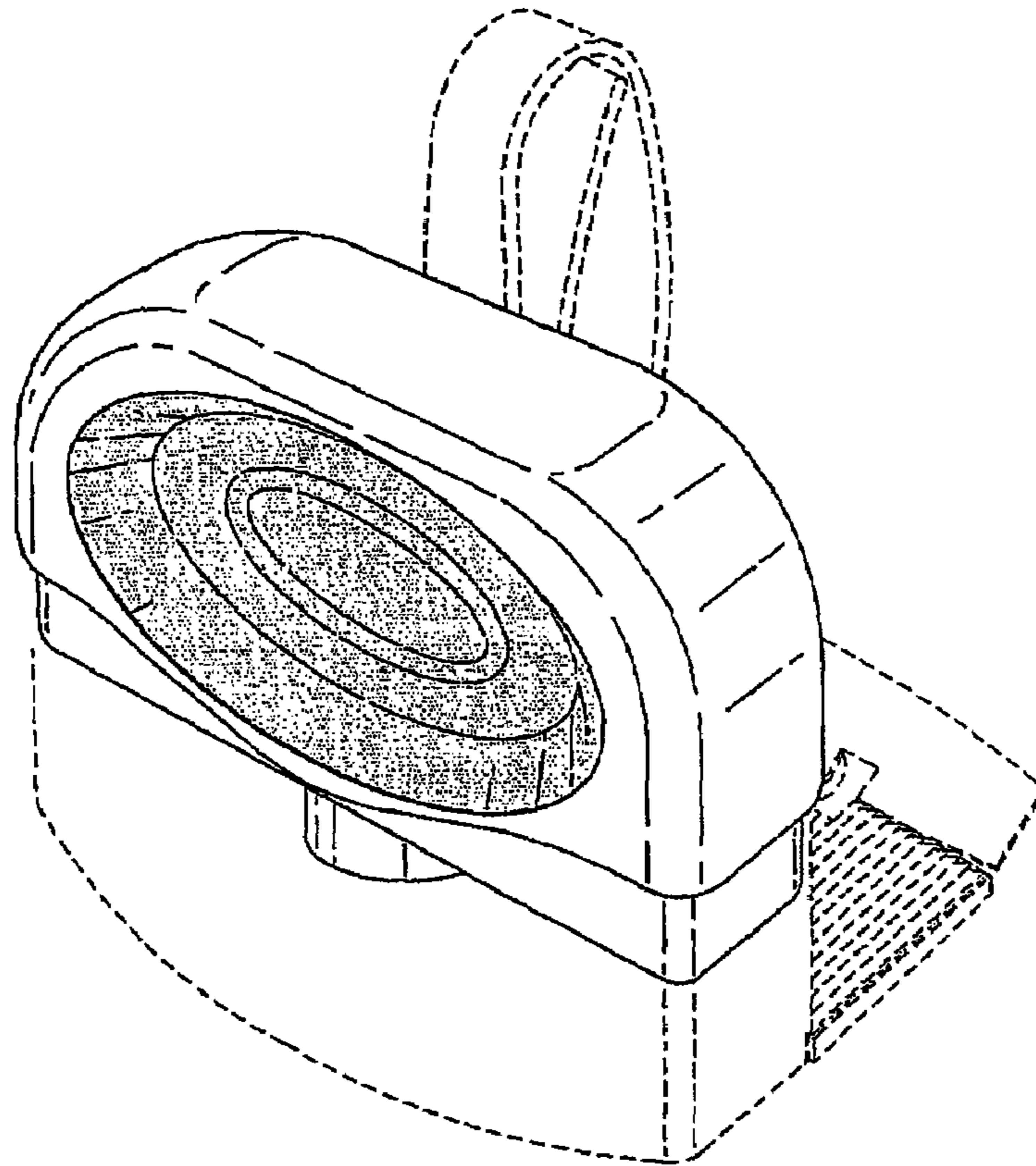
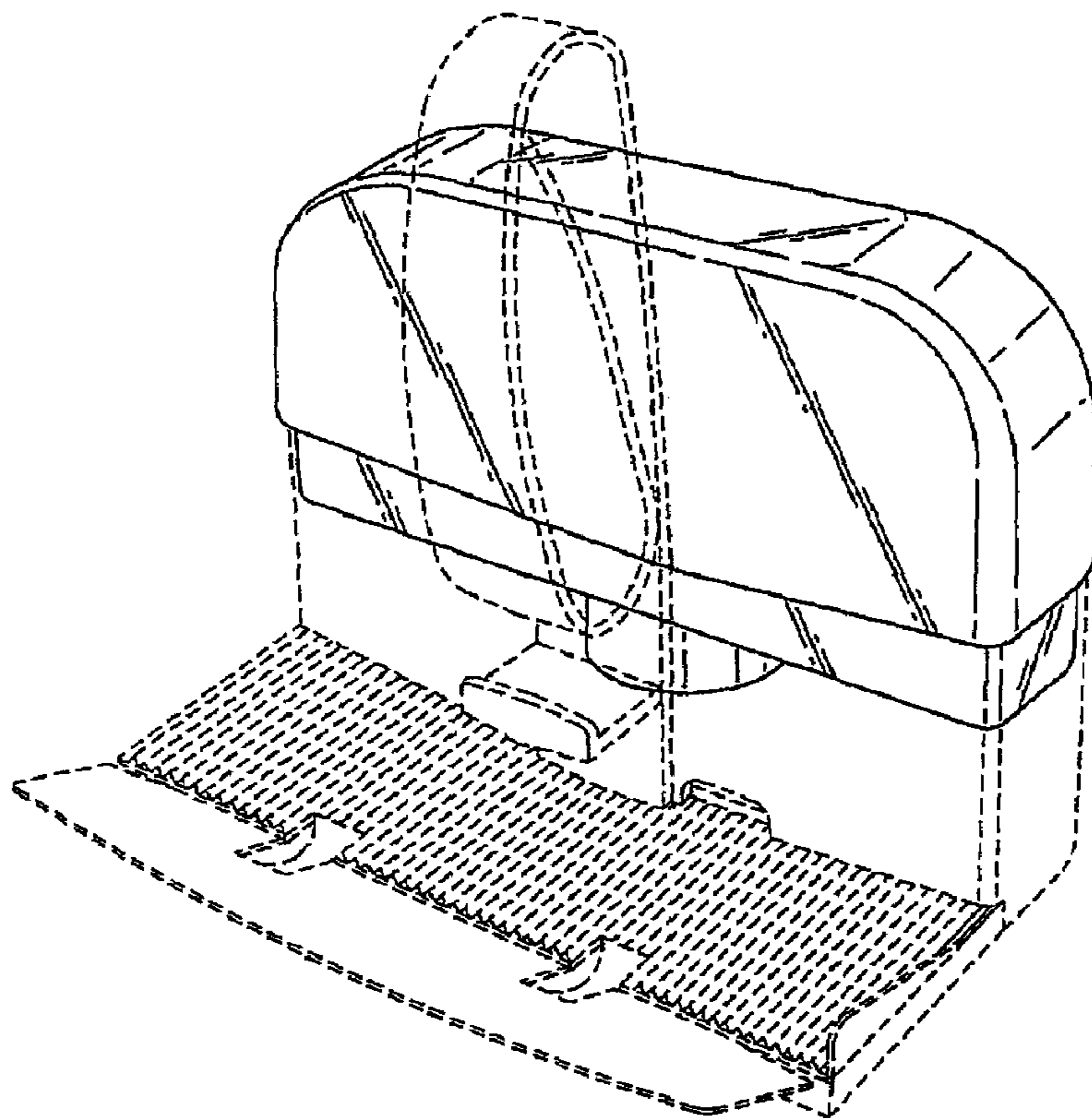


Fig. 8



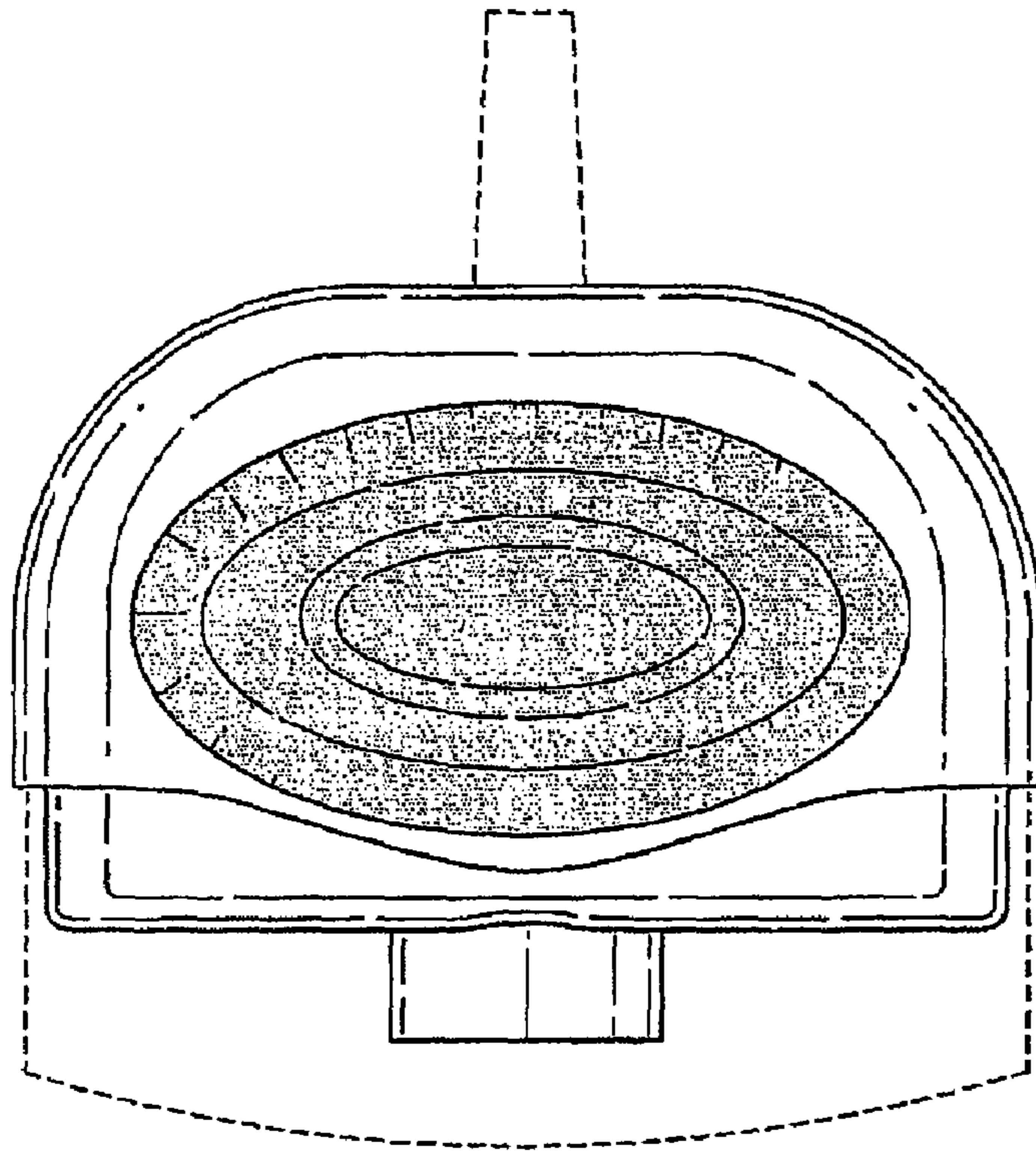


Fig. 9

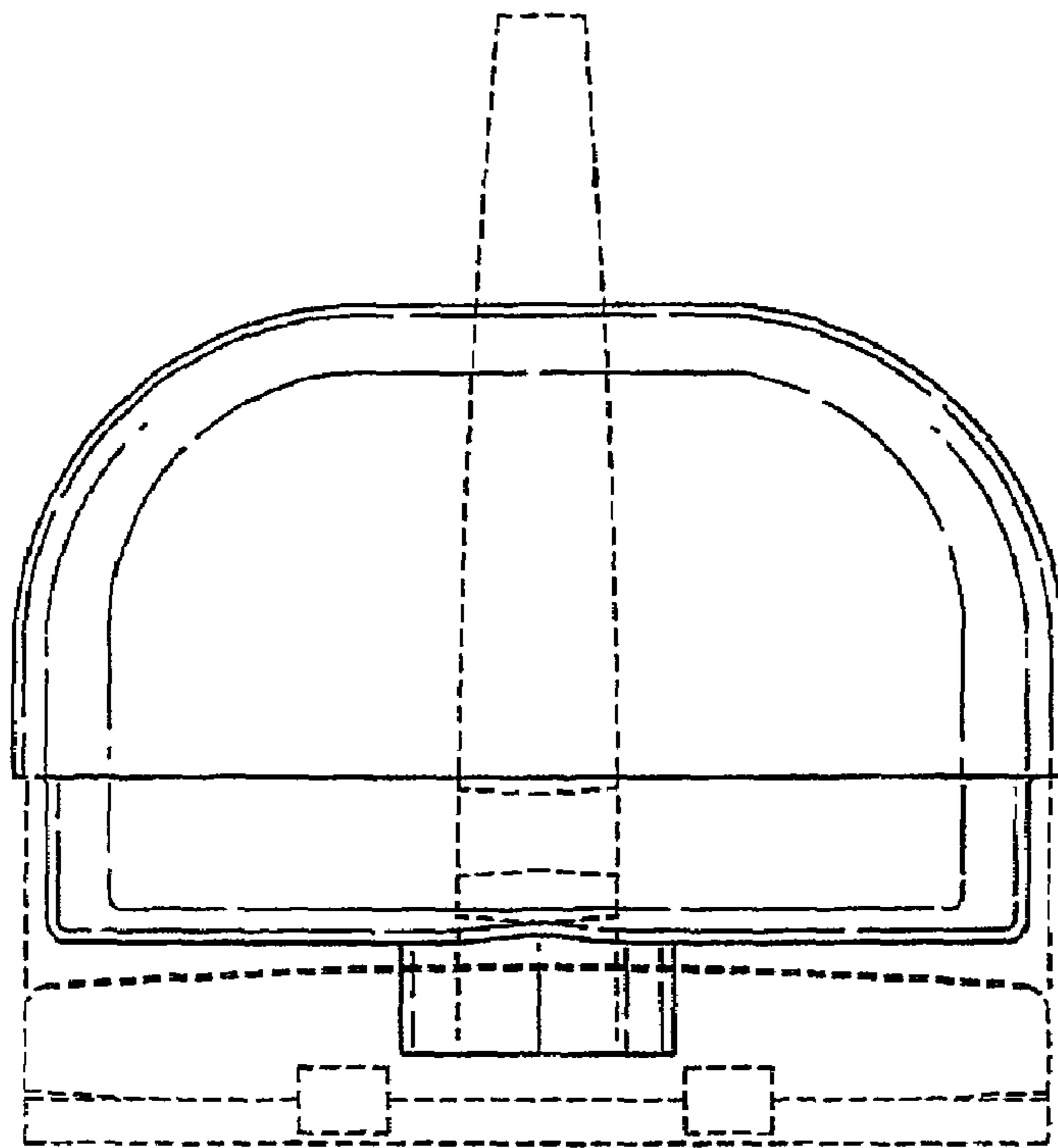


Fig. 10

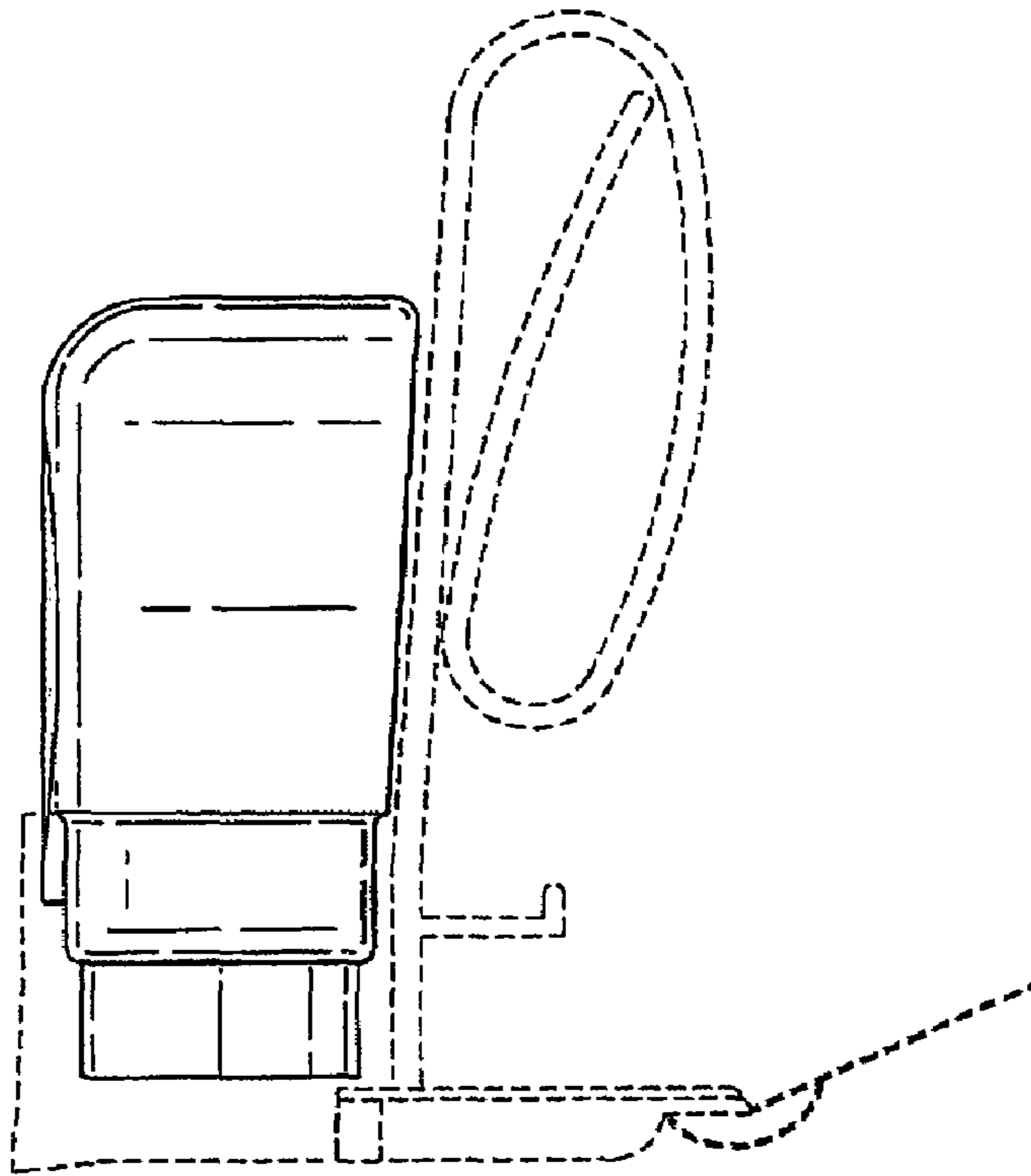


Fig. 11

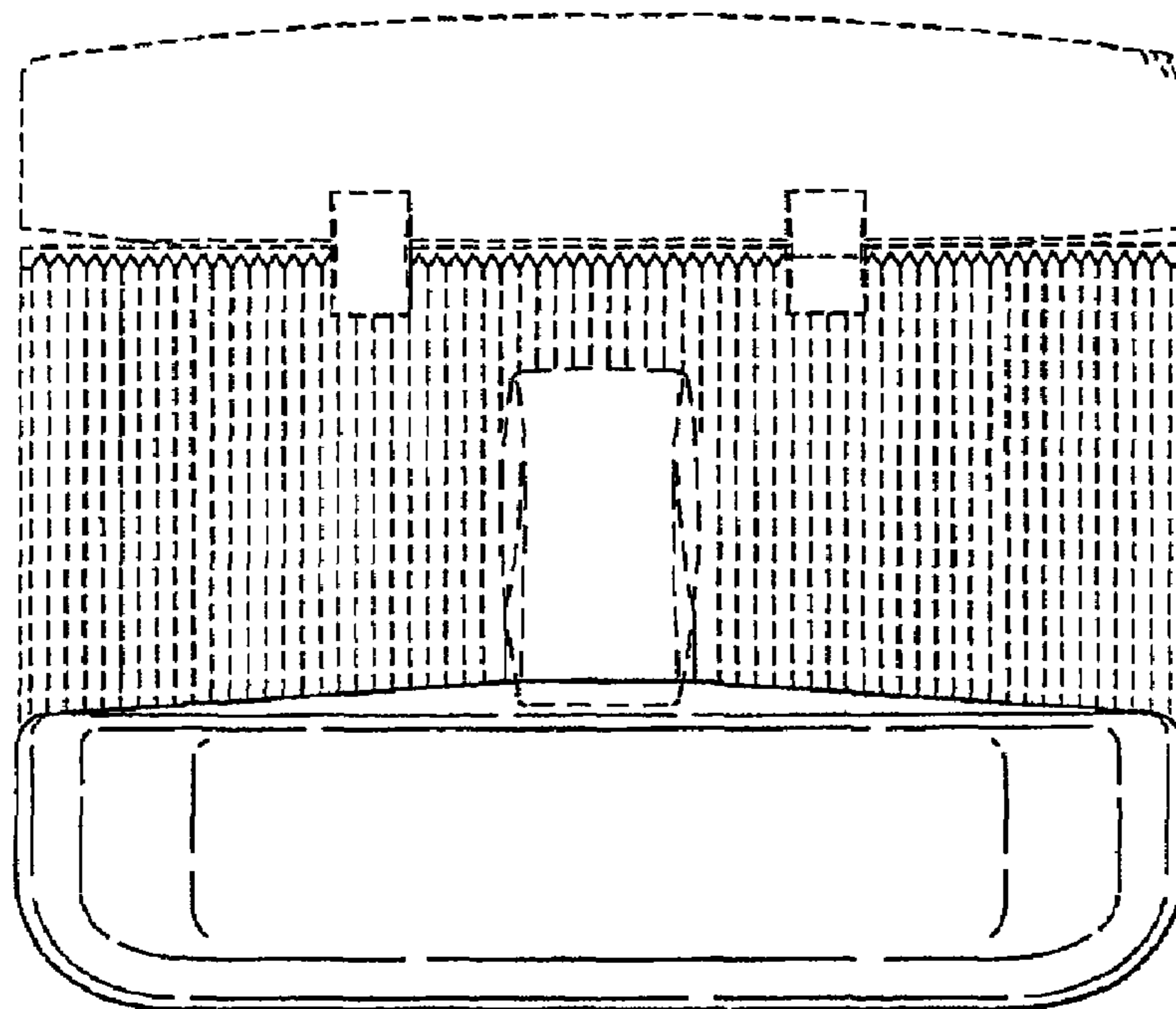


Fig. 12