



US00D573686S

(12) **United States Design Patent**
Marcus

(10) **Patent No.:** **US D573,686 S**
(45) **Date of Patent:** **** *Jul. 22, 2008**

- (54) **FISHING ROD HOLDER**
- (75) Inventor: **Wesley C. Marcus**, St. Peter, MN (US)
- (73) Assignee: **Johnson Outdoors Inc.**, Racine, WI (US)
- (*) Notice: This patent is subject to a terminal disclaimer.
- (**) Term: **14 Years**
- (21) Appl. No.: **29/291,355**
- (22) Filed: **Aug. 24, 2007**
- (51) **LOC (8) Cl.** **22-05**
- (52) **U.S. Cl.** **D22/147**
- (58) **Field of Classification Search** D22/147, D22/148, 138-139; 43/21.2, 54.1; 248/516-519, 248/530, 533, 538, 156; D6/417-418; 224/922
See application file for complete search history.

5,438,789 A	8/1995	Emory	
5,519,959 A	5/1996	Cross	
5,524,376 A	6/1996	Flisak	
D388,153 S *	12/1997	Snyder D22/147
5,761,844 A	6/1998	Horschel	
5,871,196 A	2/1999	Martelli	
D407,137 S *	3/1999	Thompson D22/147
6,052,937 A	4/2000	Morong	
6,089,524 A	7/2000	Lai	
D443,020 S *	5/2001	Ratza et al. D22/147
6,302,367 B1	10/2001	Ratza et al.	
6,505,431 B1	1/2003	Christian et al.	
6,591,541 B1	7/2003	Cummings	
6,634,134 B1	10/2003	Nyquist	
D483,436 S *	12/2003	Tull D22/147
6,941,694 B2	9/2005	Ernst	
6,962,018 B1	11/2005	King	
6,974,113 B1	12/2005	Clark et al.	
7,114,281 B2	10/2006	Miller	
D542,884 S *	5/2007	Johnson D22/147
D564,062 S *	3/2008	Carnevali D22/147

* cited by examiner

Primary Examiner—Catherine R Oliver
(74) *Attorney, Agent, or Firm*—Kinney & Lange, P.A.

(56) **References Cited**

U.S. PATENT DOCUMENTS

3,008,259 A	11/1961	Zornes	
3,708,141 A	1/1973	Friedgen et al.	
3,783,547 A *	1/1974	Bystrom et al. 43/21.2
4,093,171 A	6/1978	Mengo, Sr.	
4,142,315 A	3/1979	Hoffman	
4,213,264 A	7/1980	Robinson, Jr.	
4,731,947 A	3/1988	Hart	
4,807,384 A	2/1989	Roberts, Sr.	
4,827,654 A	5/1989	Roberts	
4,831,763 A	5/1989	Alcorn	
4,948,083 A	8/1990	McNaney, Jr. et al.	
5,054,737 A	10/1991	DeLancey	
5,142,809 A	9/1992	O'Brien et al.	
5,163,244 A	11/1992	Rupp	
5,210,971 A	5/1993	Efantis	
5,247,759 A	9/1993	Noriega	
D356,140 S *	3/1995	Meyer et al. D22/147

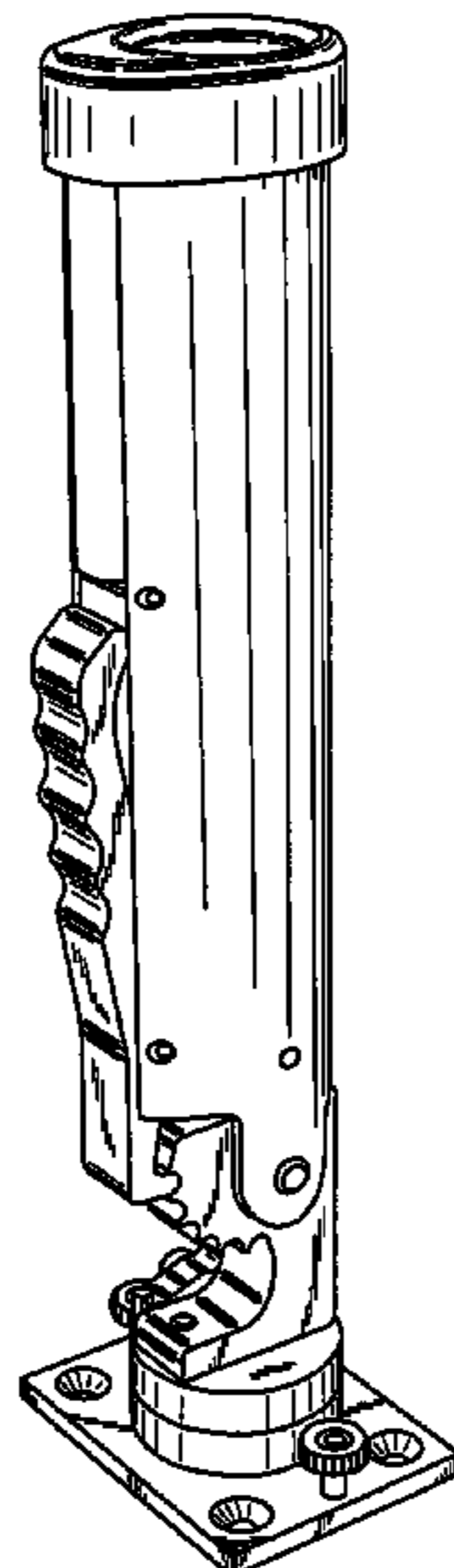
(57) **CLAIM**

The ornamental design for a fishing rod holder, as shown and described.

DESCRIPTION

FIG. 1 is a perspective view;
FIG. 2 is a left side view;
FIG. 3 is a right side view;
FIG. 4 is a rear side view;
FIG. 5 is a front side view;
FIG. 6 is a top side; and,
FIG. 7 is a bottom plan view.

1 Claim, 4 Drawing Sheets



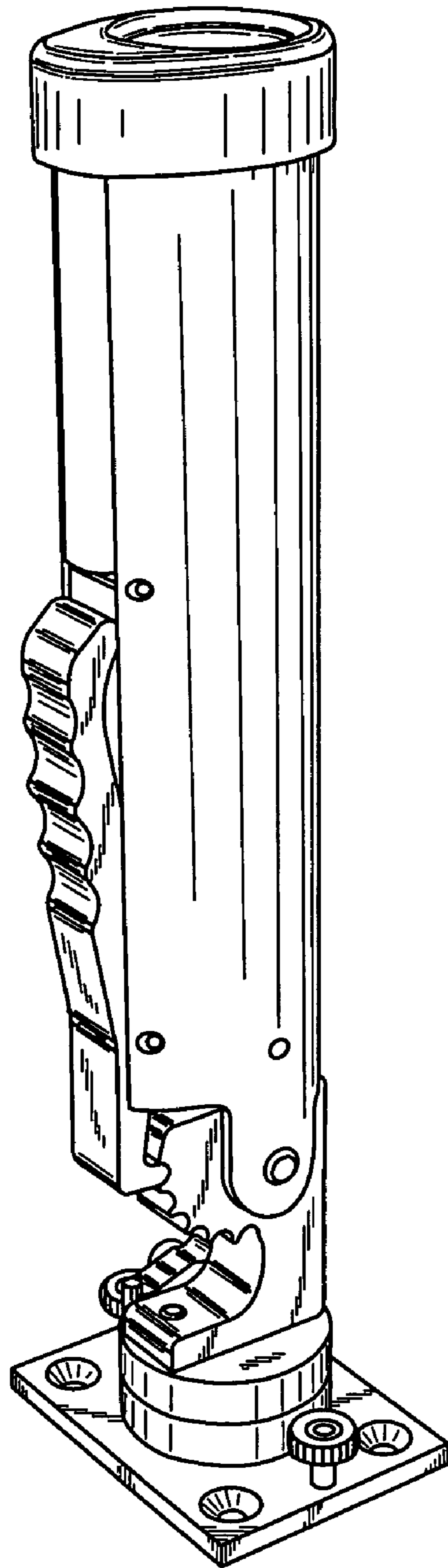


Fig. 1

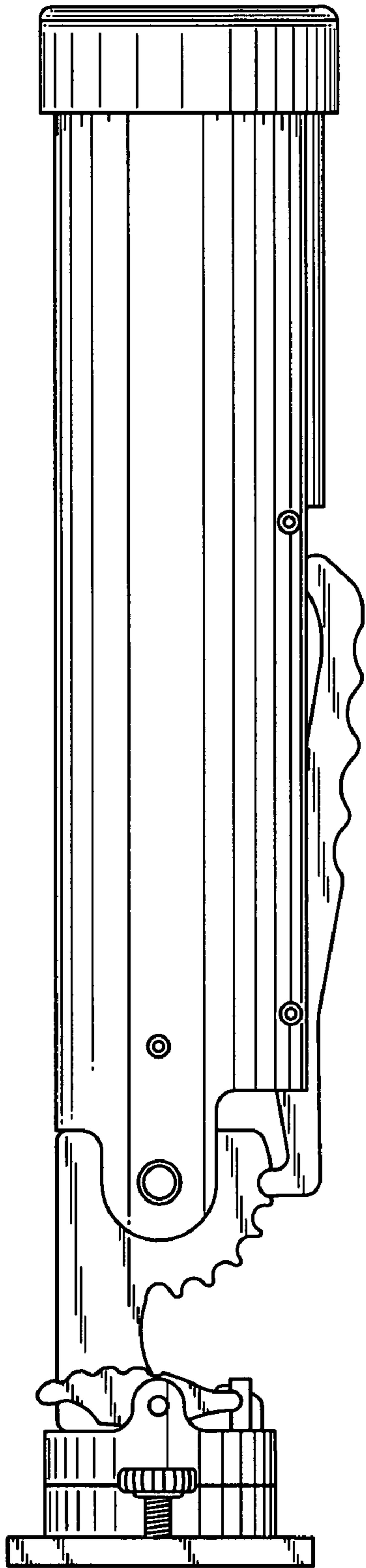


Fig. 2

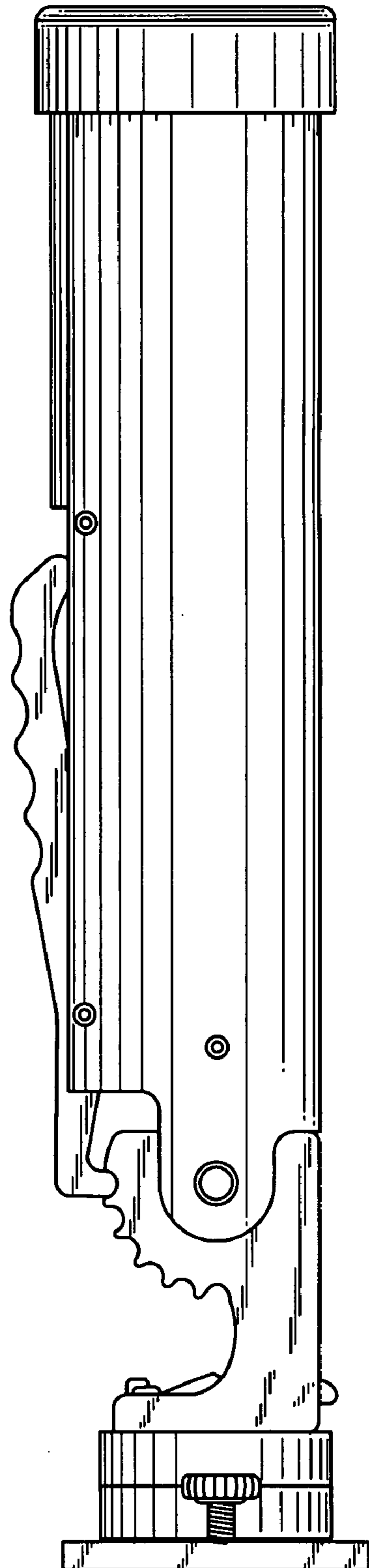


Fig. 3

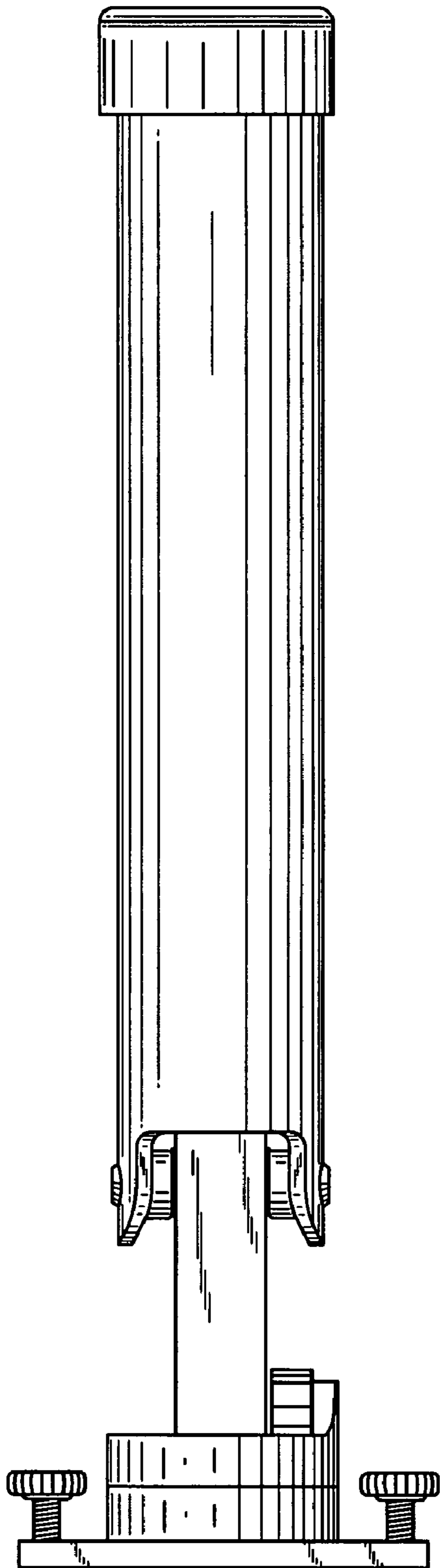


Fig. 4

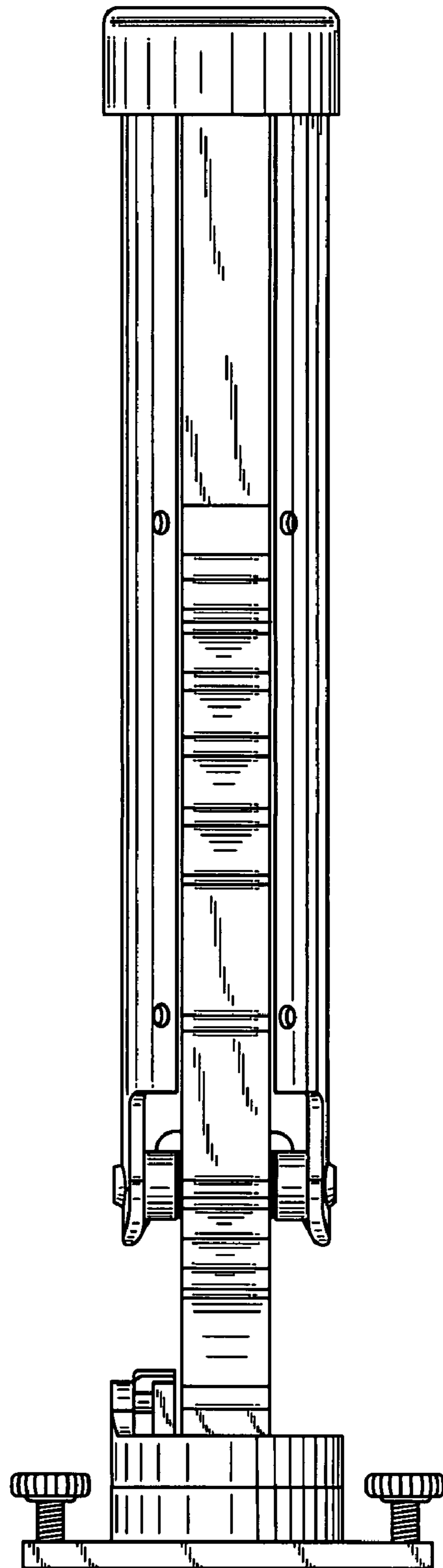


Fig. 5

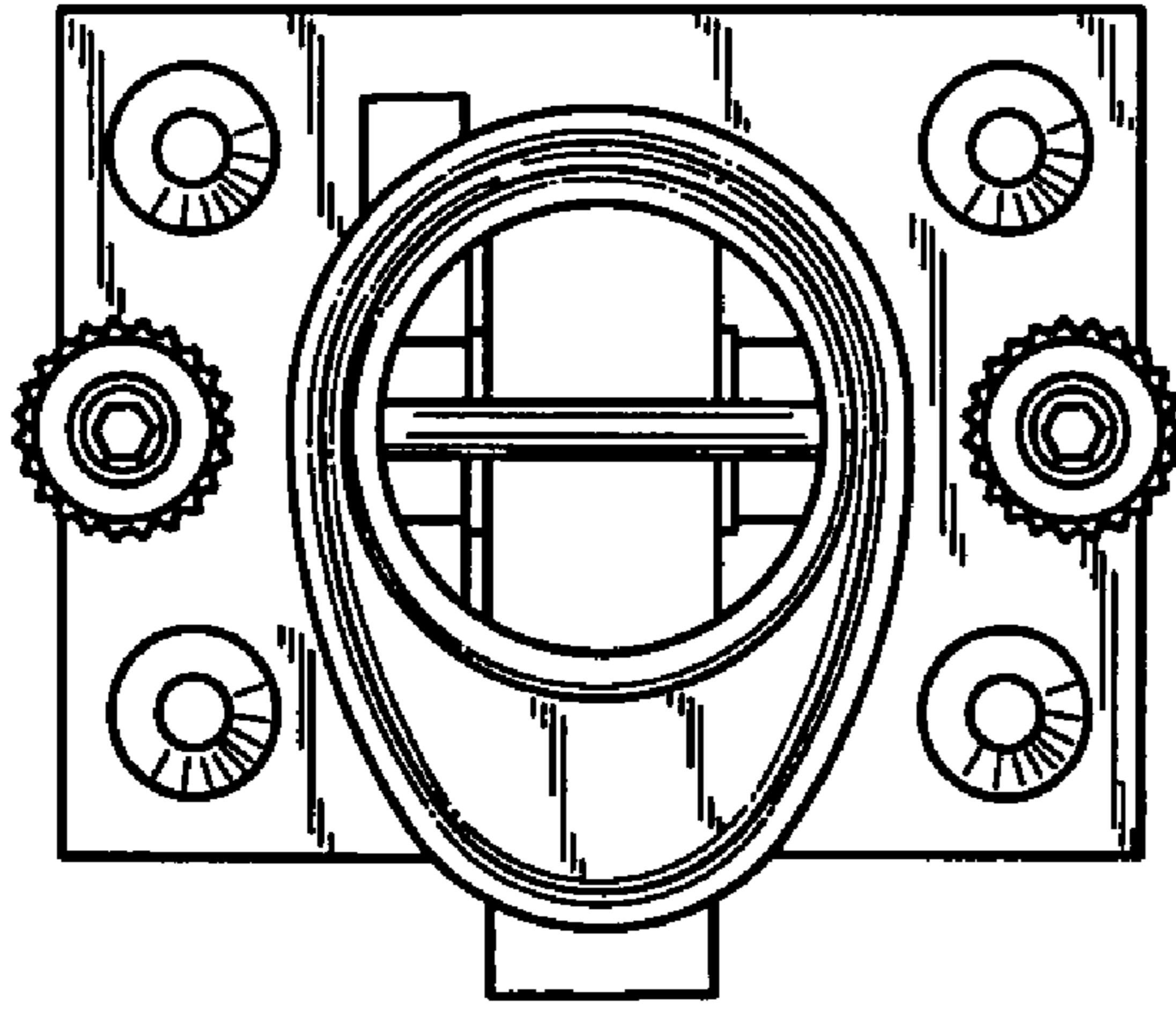


Fig. 6

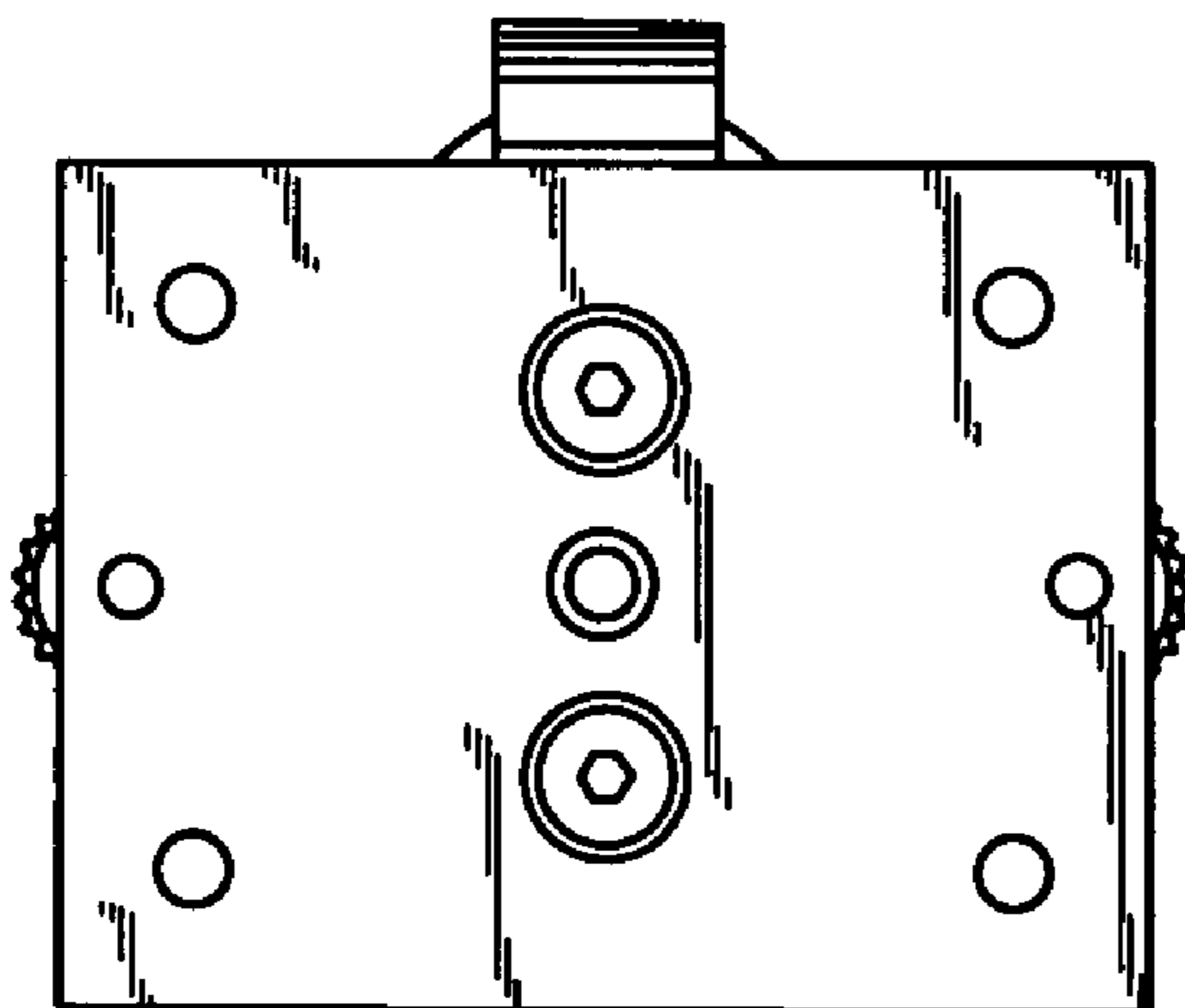


Fig. 7