



US00D573680S

(12) **United States Design Patent**
Stites et al.

(10) **Patent No.:** **US D573,680 S**
(45) **Date of Patent:** **** Jul. 22, 2008**

(54) **GOLF CLUB HEAD**

(75) Inventors: **John T. Stites**, Weatherford, TX (US);
Andrew G. V. Oldknow, Beaverton, OR
(US); **David N. Franklin**, Grandbury,
TX (US)

(73) Assignee: **Nike, Inc.**, Beaverton, OR (US)

(**) Term: **14 Years**

(21) Appl. No.: **29/302,756**

(22) Filed: **Jan. 24, 2008**

(51) **LOC (8) Cl.** **21-02**

(52) **U.S. Cl.** **D21/759**

(58) **Field of Classification Search** D21/747–751,
D21/759; 473/324–331, 350

See application file for complete search history.

(56) **References Cited**

U.S. PATENT DOCUMENTS

D267,965 S	2/1983	Kobayashi	
D353,178 S *	12/1994	Koleoglou	D21/759
5,390,924 A	2/1995	Antonious	
5,395,113 A	3/1995	Antonious	
6,015,354 A	1/2000	Ahn et al.	
D428,634 S *	7/2000	Nagai et al.	D21/759
D428,635 S *	7/2000	Nagai et al.	D21/759
D449,086 S *	10/2001	Nagai et al.	D21/759
6,454,665 B2	9/2002	Antonious	
D471,610 S *	3/2003	Mugica et al.	D21/759
D498,280 S	11/2004	Gilbert et al.	
D501,237 S	1/2005	Madore	
D504,167 S *	4/2005	Iwata et al.	D21/759
D517,629 S	3/2006	Madore et al.	
D524,394 S *	7/2006	Madore et al.	D21/759
D524,396 S *	7/2006	Madore et al.	D21/759
D529,114 S	9/2006	Madore	
D529,970 S	10/2006	Madore	

D531,689 S	11/2006	Gilbert et al.
D531,690 S	11/2006	Gilbert et al.
7,166,042 B2	1/2007	Gilbert et al.
D538,369 S	3/2007	Gilbert et al.
7,186,187 B2	3/2007	Gilbert et al.
D545,386 S	6/2007	Nguyen et al.
D550,317 S	9/2007	Oldknow
D550,798 S	9/2007	Oldknow
2005/0148407 A1	7/2005	Gilbert et al.
2006/0111202 A1	5/2006	Kobayashi

OTHER PUBLICATIONS

Golf Smith 1996 Catalog, Rmc270, p. 12, dated 1996.
Edwin Watts Holiday 2002 Catalog, Rac Tour FE203 (Raw Wedges),
p. 14, dated. 2002.
Edwin Watts Golf Internet 2006, Callaway Big Bertha Individual
Irons, [www.edwinwattsgolf.com/wcsstore/EdwinWatts/images/
product/3083-2.jig](http://www.edwinwattsgolf.com/wcsstore/EdwinWatts/images/product/3083-2.jig), dated Jan. 8, 2008.

* cited by examiner

Primary Examiner—Mitchell I Siegel

(74) *Attorney, Agent, or Firm*—Banner & Witcoff, Ltd.

(57) **CLAIM**

The ornamental design for a golf club head, as shown and
described.

DESCRIPTION

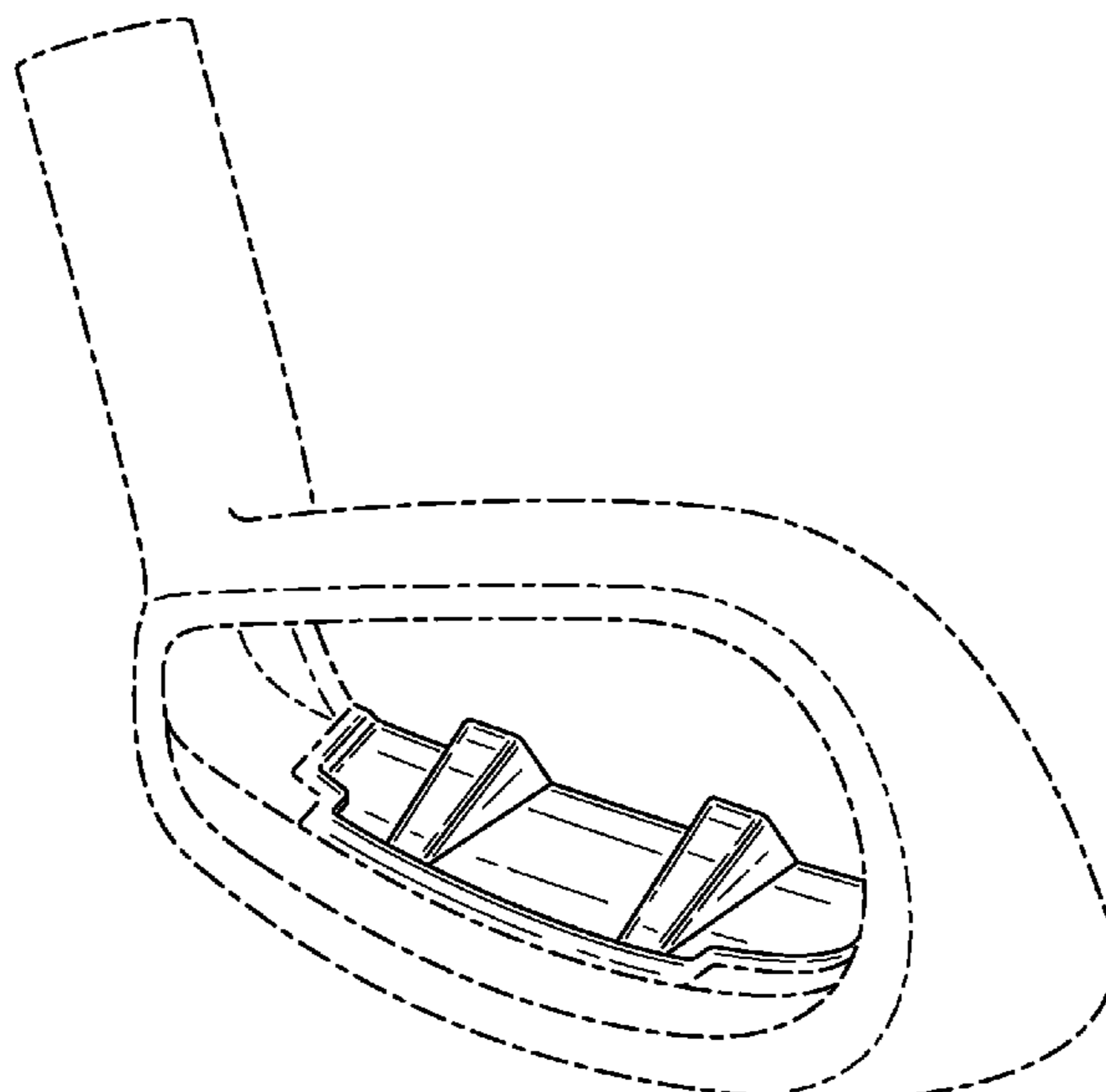
FIG. 1 is a toe end perspective view of a portion of a golf club
head showing our new design;

FIG. 2 is a heel end perspective view thereof; and,

FIG. 3 is a side view thereof.

The broken line immediately adjacent to the shaded area
represents an unclaimed boundary of the design. The broken
line showing of the remainder of the golf club head is for
illustrative purposes only and form no part of the claimed
design.

1 Claim, 3 Drawing Sheets



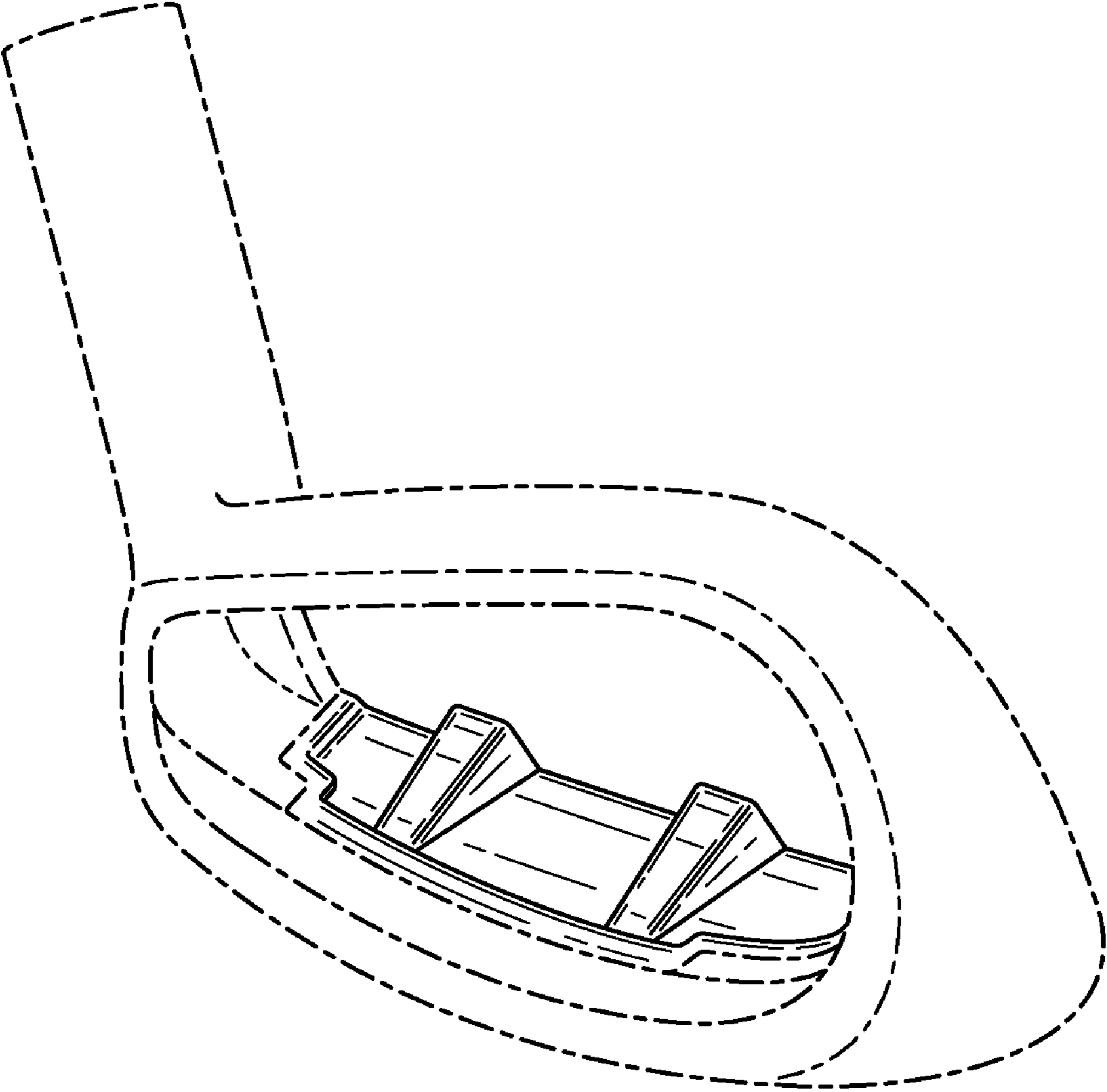


FIG. 1

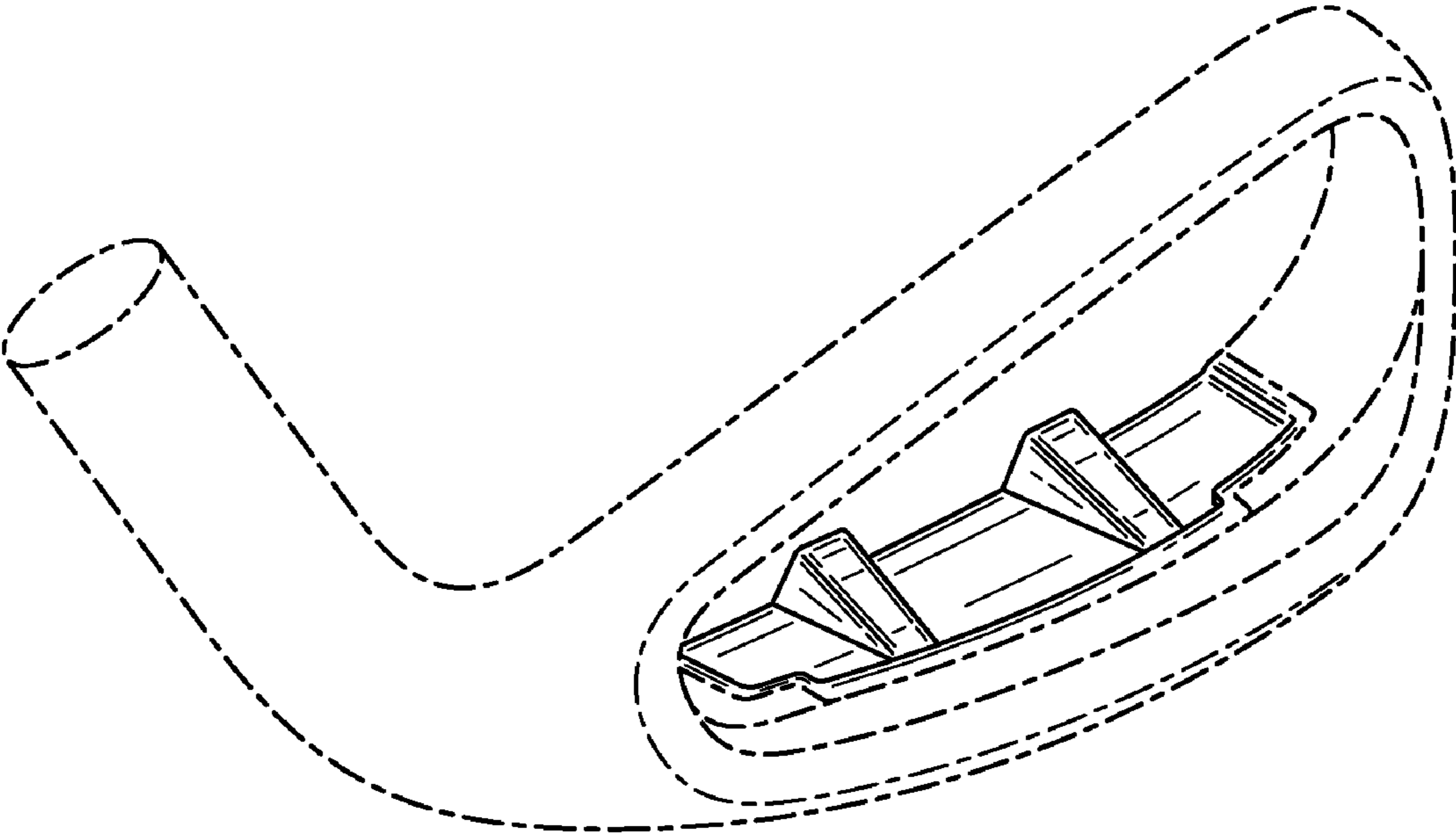


FIG. 2

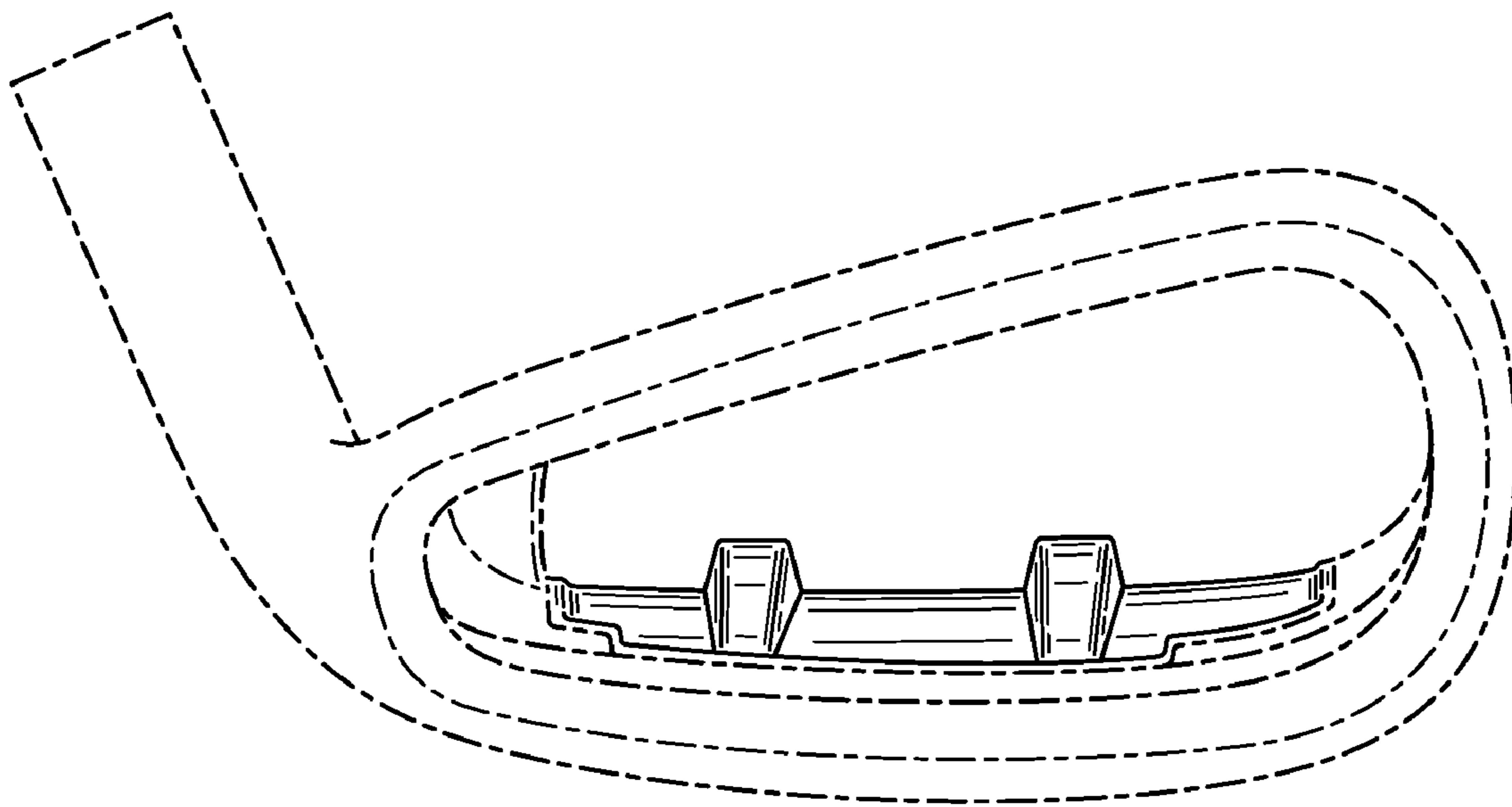


FIG. 3