

US00D573677S

(12) **United States Design Patent**  
**Kadoya**

(10) **Patent No.:** **US D573,677 S**  
(45) **Date of Patent:** **\*\* Jul. 22, 2008**

(54) **HEAD FOR GOLF CLUB**

D538,369 S \* 3/2007 Gilbert et al. .... D21/759

(75) Inventor: **Mamiko Kadoya**, Kobe (JP)

(73) Assignee: **SRI Sports, Ltd.**, Kobe (JP)

(\*\*) Term: **14 Years**

(21) Appl. No.: **29/274,821**

(22) Filed: **May 30, 2007**

(51) **LOC (8) Cl.** ..... **21-02**

(52) **U.S. Cl.** ..... **D21/759**

(58) **Field of Classification Search** ..... D21/747-751,  
D21/753, 759; 473/324-331, 350  
See application file for complete search history.

(56) **References Cited**

**U.S. PATENT DOCUMENTS**

D243,706 S *	3/1977	Hall	.....	D21/750
D342,772 S *	12/1993	Koehler	.....	D21/740
D343,667 S *	1/1994	Koehler	.....	D21/742
D344,562 S *	2/1994	Koehler	.....	D21/742
D383,820 S *	9/1997	Watanabe	.....	D21/749
D449,086 S *	10/2001	Nagai et al.	.....	D21/759
D456,056 S *	4/2002	Bakke	.....	D21/747
D466,576 S *	12/2002	Nagai et al.	.....	D21/759
D518,863 S *	4/2006	Motoyoshi et al.	.....	D21/747
D523,917 S *	6/2006	Wolfe et al.	.....	D21/747
D526,036 S *	8/2006	Nishitani	.....	D21/747
D531,244 S *	10/2006	Gilbert et al.	.....	D21/759
D531,689 S *	11/2006	Gilbert et al.	.....	D21/759
D531,690 S *	11/2006	Gilbert et al.	.....	D21/759

**FOREIGN PATENT DOCUMENTS**

JP	1128454 S	12/2001
JP	1159091 S	11/2002
JP	1197807 S	2/2004
JP	1216364 S	9/2004
JP	1216698 S	9/2004

**OTHER PUBLICATIONS**

Callaway Golf 2007 "X Utility Wood" Feb. 2007, Callaway Golf Kabushiki Kaisha.

\* cited by examiner

*Primary Examiner*—Mitchell I Siegel

(74) *Attorney, Agent, or Firm*—Birch, Stewart, Kolasch & Birch, LLP

(57) **CLAIM**

The ornamental design for a head for golf club, as shown and described.

**DESCRIPTION**

FIG. 1 is a perspective view of a head for golf club;  
FIG. 2 is an elevational view thereof;  
FIG. 3 is a left side view thereof; and,  
FIG. 4 is a top view thereof.

The portion shown by broken lines is for illustrative purposes only and forms no part of the claimed design. The dashed lines show a borderline between the claimed design and other portion.

**1 Claim, 2 Drawing Sheets**

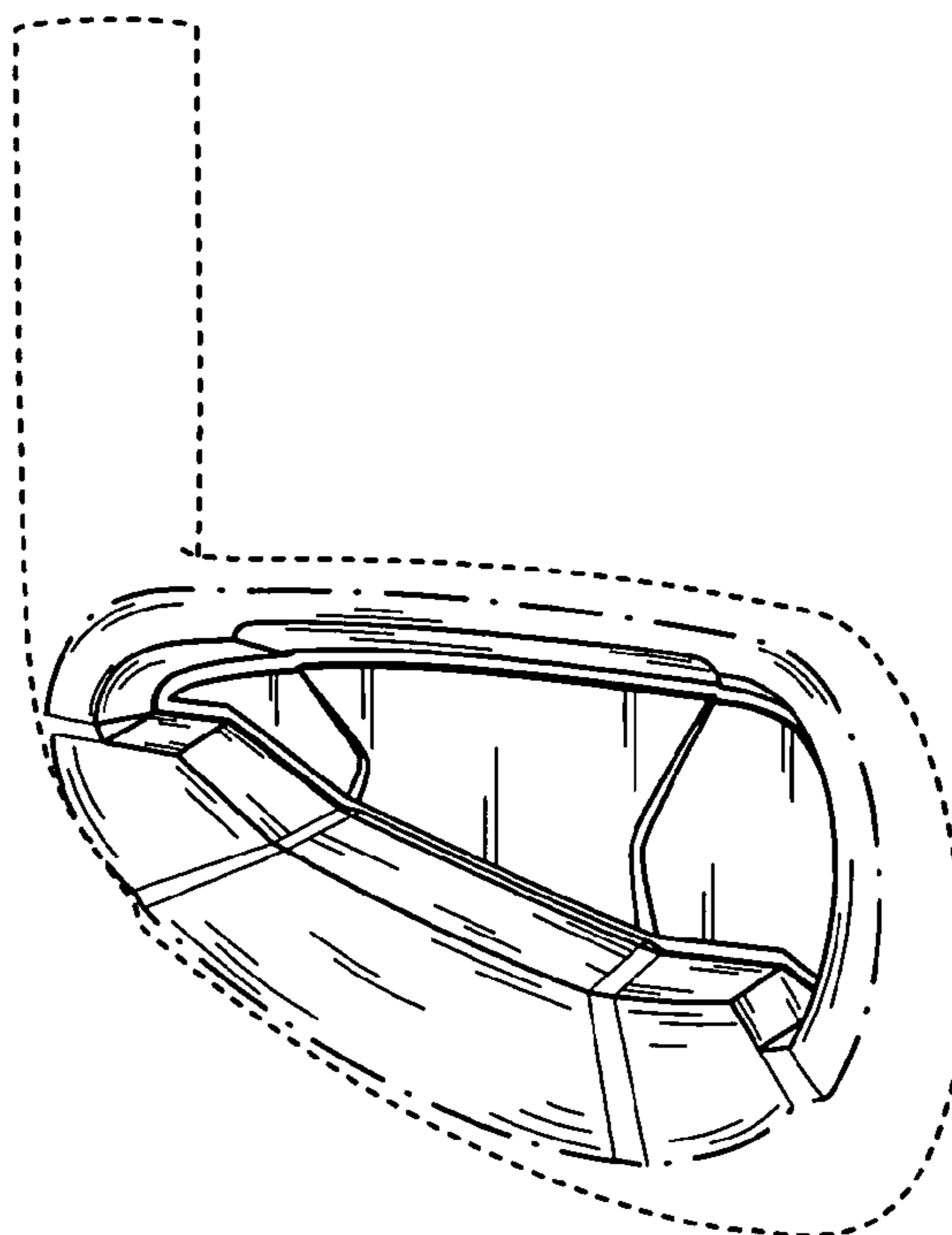


Fig. 1

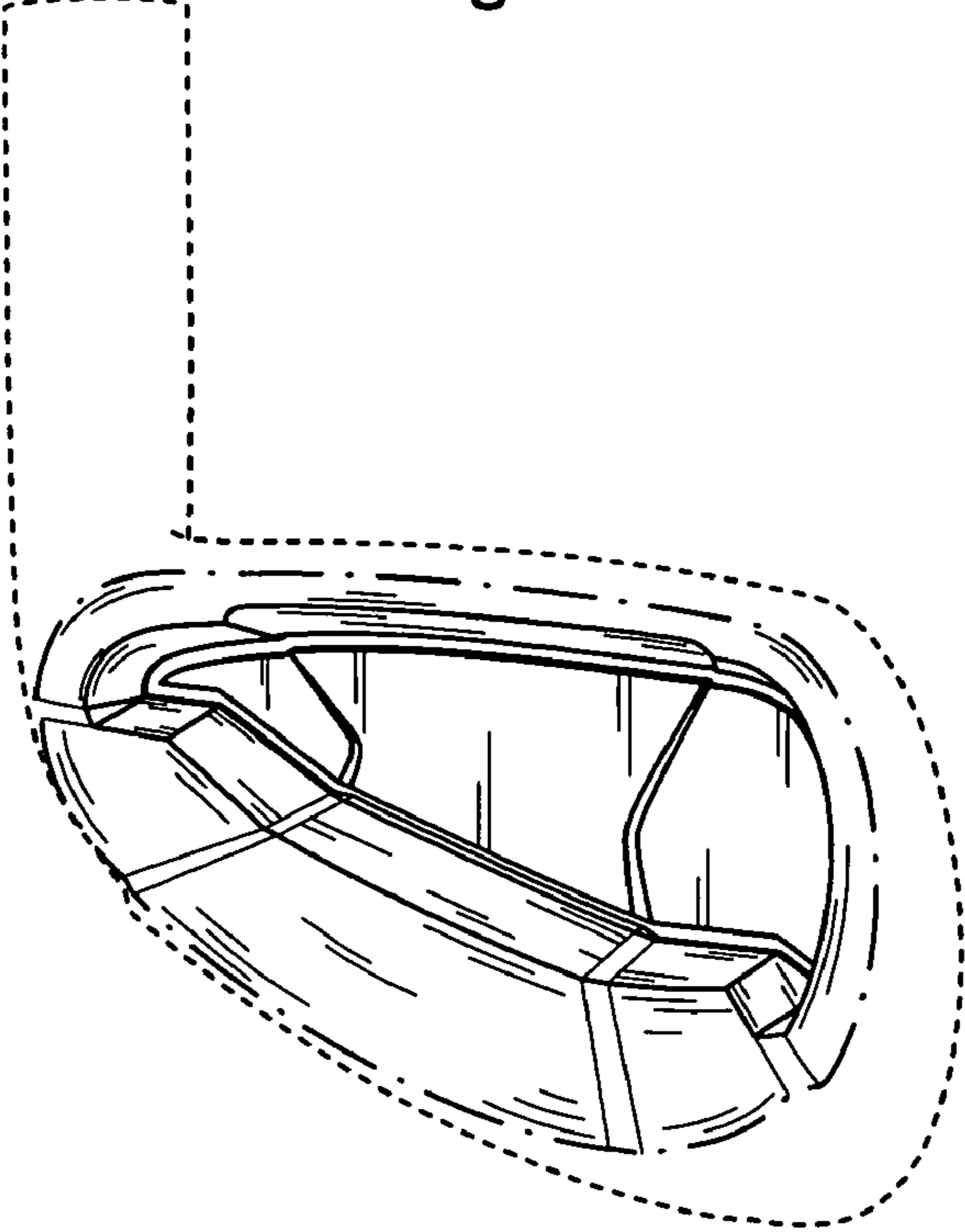


Fig. 2

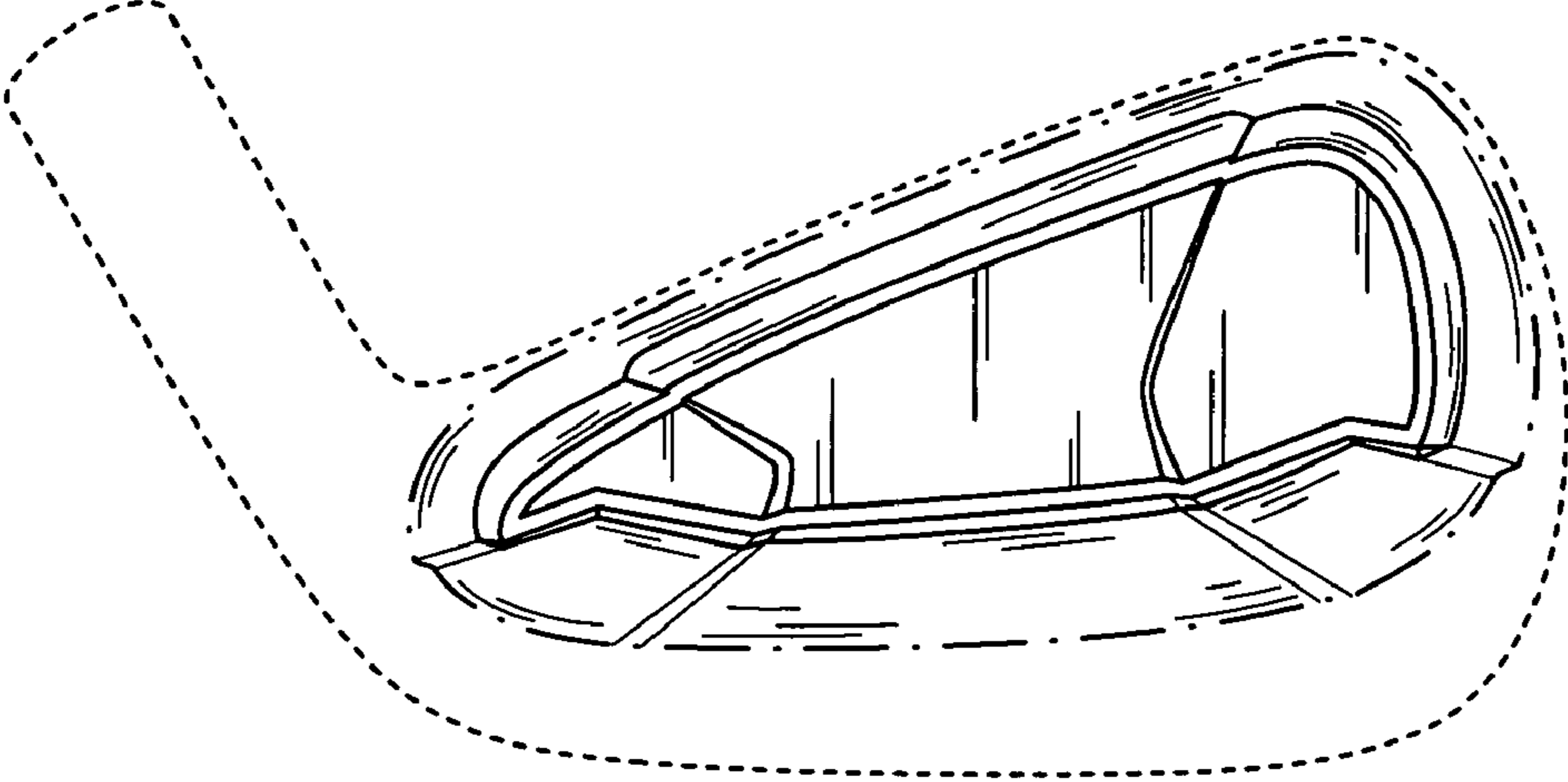


Fig. 3

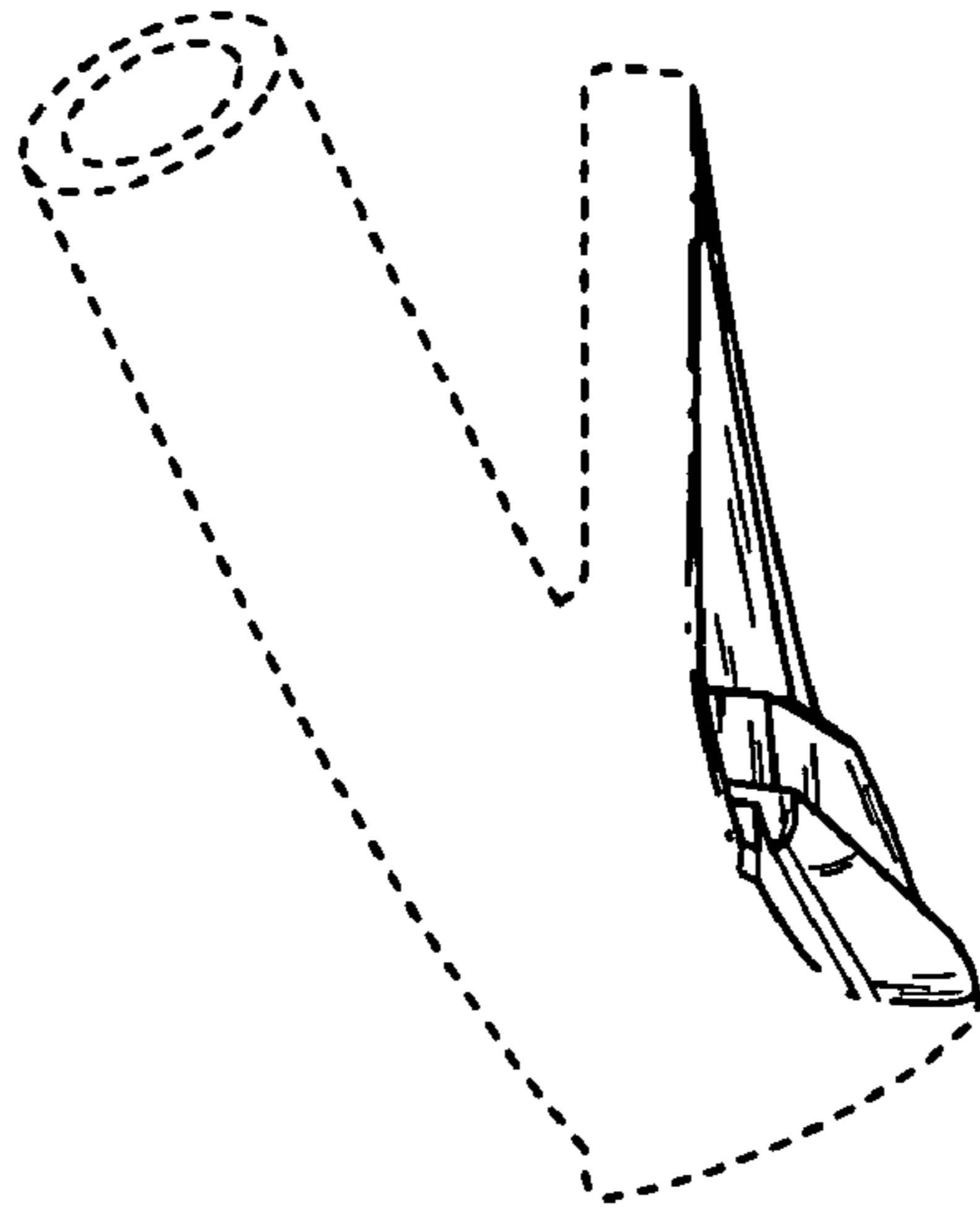


Fig. 4

