



US00D573673S

(12) **United States Design Patent**  
**Noyes**

(10) **Patent No.:** **US D573,673 S**  
(45) **Date of Patent:** **\*\* Jul. 22, 2008**

(54) **GOLF CLUB HEAD AND BALL RETRIEVER**

D536,400 S \* 2/2007 DiBattista, Sr. .... D21/736

(76) Inventor: **Edwin Noyes**, 37 Russell St., Tequesta,  
FL (US) 33469

\* cited by examiner

(\*\*) Term: **14 Years**

*Primary Examiner*—Mitchell I Siegel  
(74) *Attorney, Agent, or Firm*—McHale & Slavin, P.A.

(21) Appl. No.: **29/278,734**

(57) **CLAIM**

(22) Filed: **Apr. 9, 2007**

The ornamental design for a golf club head and ball retriever,  
as shown and described.

(51) **LOC (8) Cl.** ..... **21-02**

(52) **U.S. Cl.** ..... **D21/736; D21/721**

(58) **Field of Classification Search** ..... D21/721,  
D21/736-746; 473/286, 324-331, 340-341,  
473/251-256

See application file for complete search history.

**DESCRIPTION**

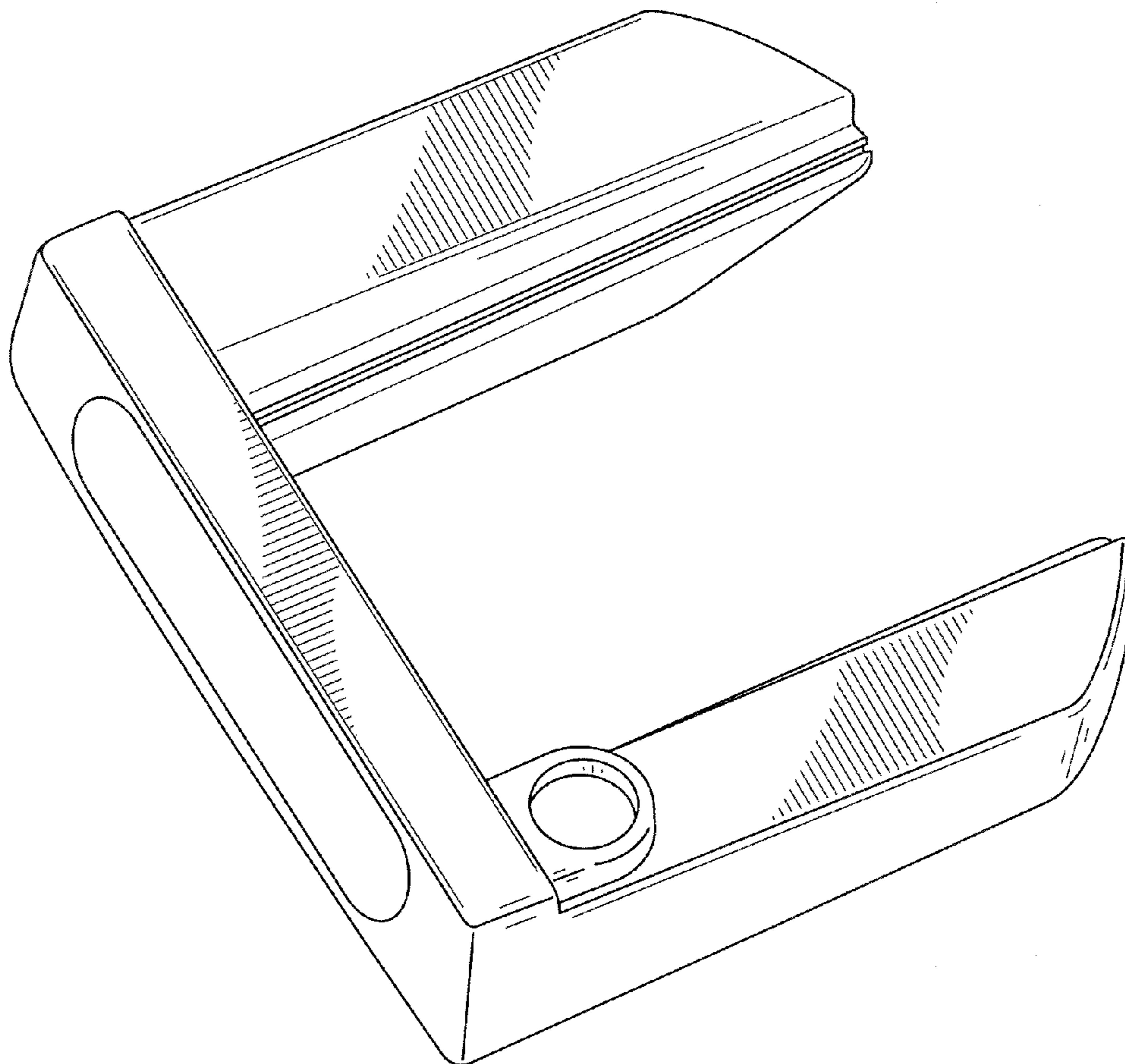
FIG. 1 is a perspective view of the golf club head and ball retriever of the instant invention;  
FIG. 2 is a top plane view thereof;  
FIG. 3 is a bottom view thereof;  
FIG. 4 is a right side view thereof;  
FIG. 5 is a left front view thereof;  
FIG. 6 is a rear view thereof; and,  
FIG. 7 is a front plane view thereof.

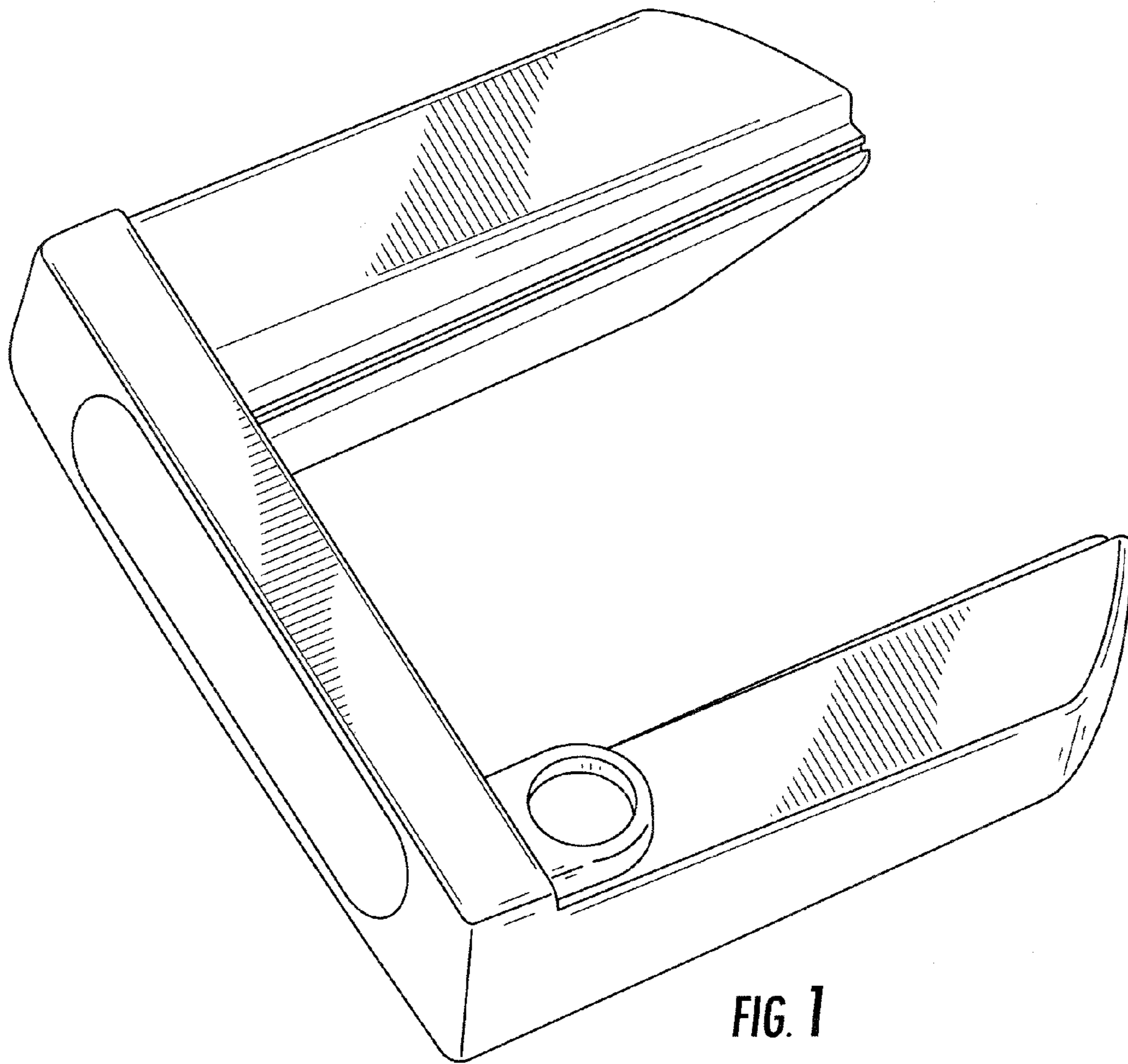
(56) **References Cited**

**U.S. PATENT DOCUMENTS**

- 6,086,484 A \* 7/2000 Uebelhor ..... 473/251
- D517,143 S \* 3/2006 Petsel et al. .... D21/742
- D532,844 S \* 11/2006 Rollinson ..... D21/736
- D532,845 S \* 11/2006 Rollinson ..... D21/736
- D534,974 S \* 1/2007 Haack ..... D21/743

**1 Claim, 7 Drawing Sheets**





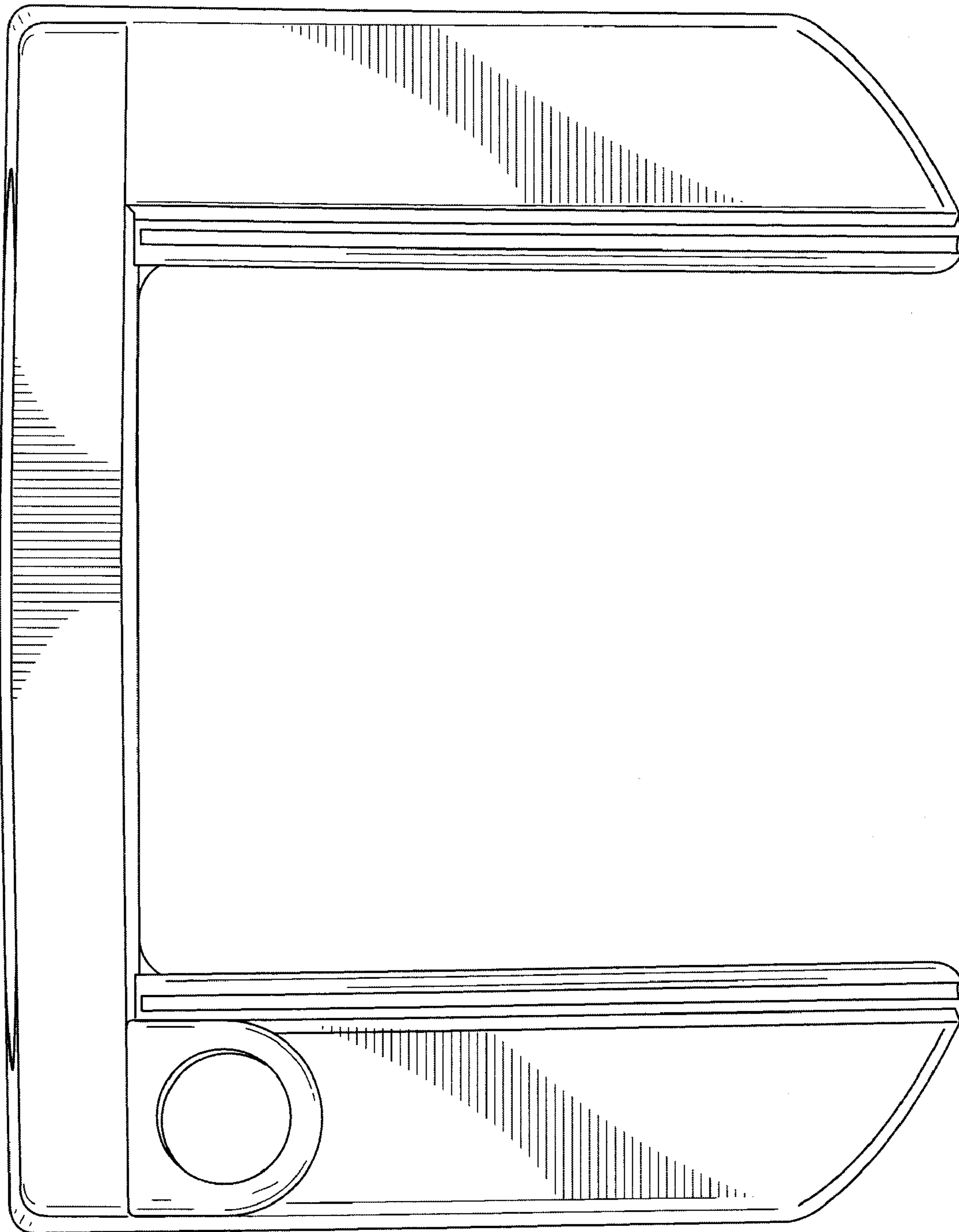
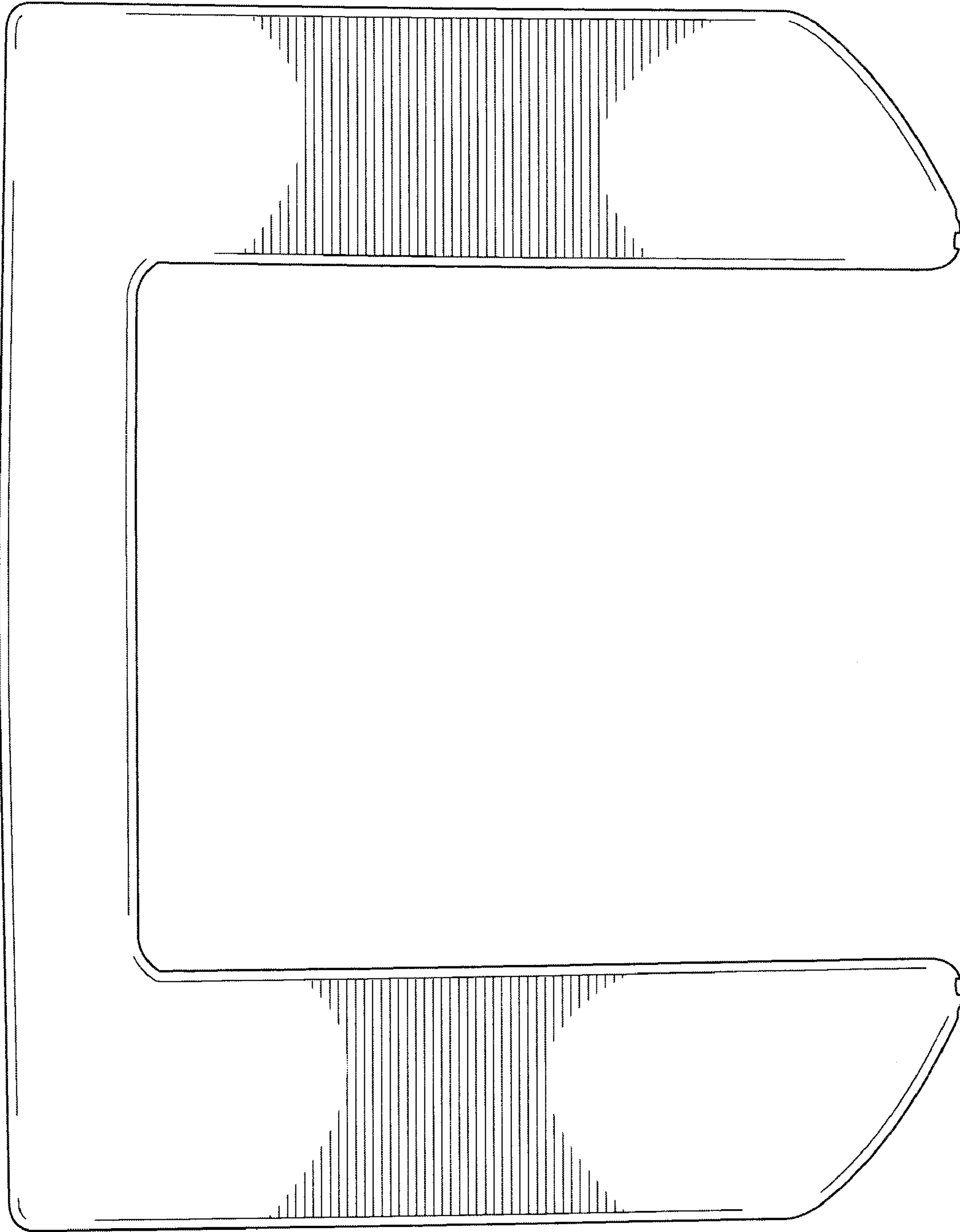


FIG. 2



**FIG. 3**

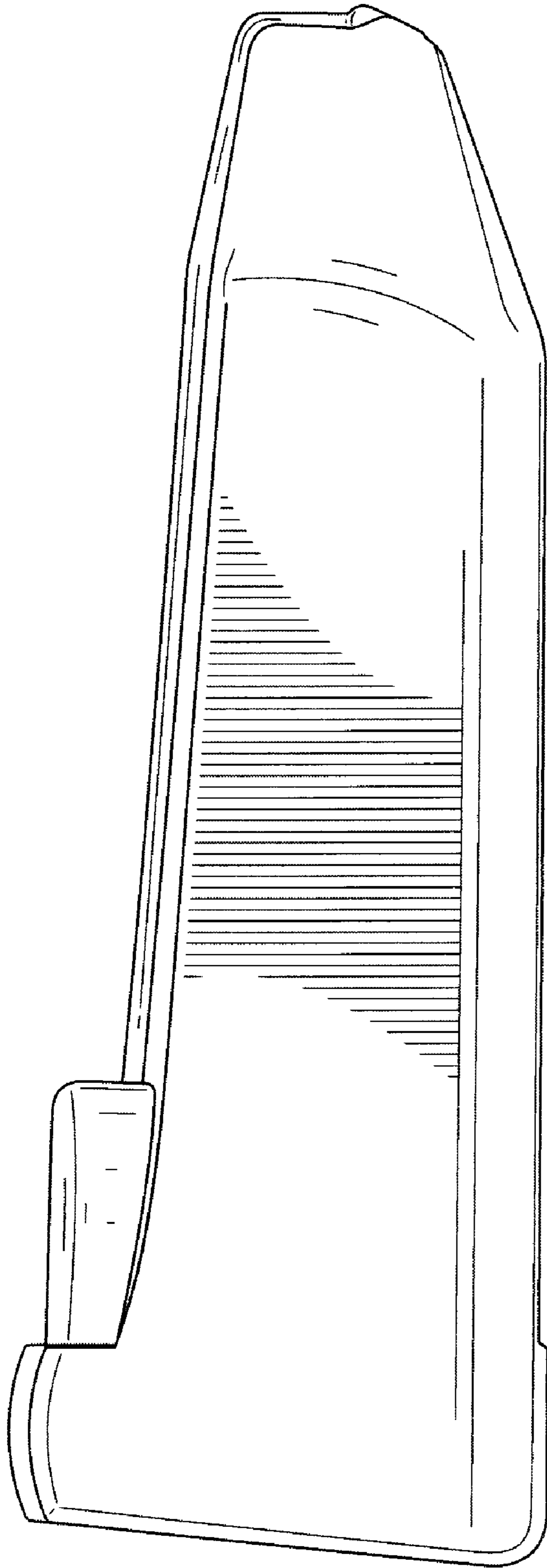


FIG. 4

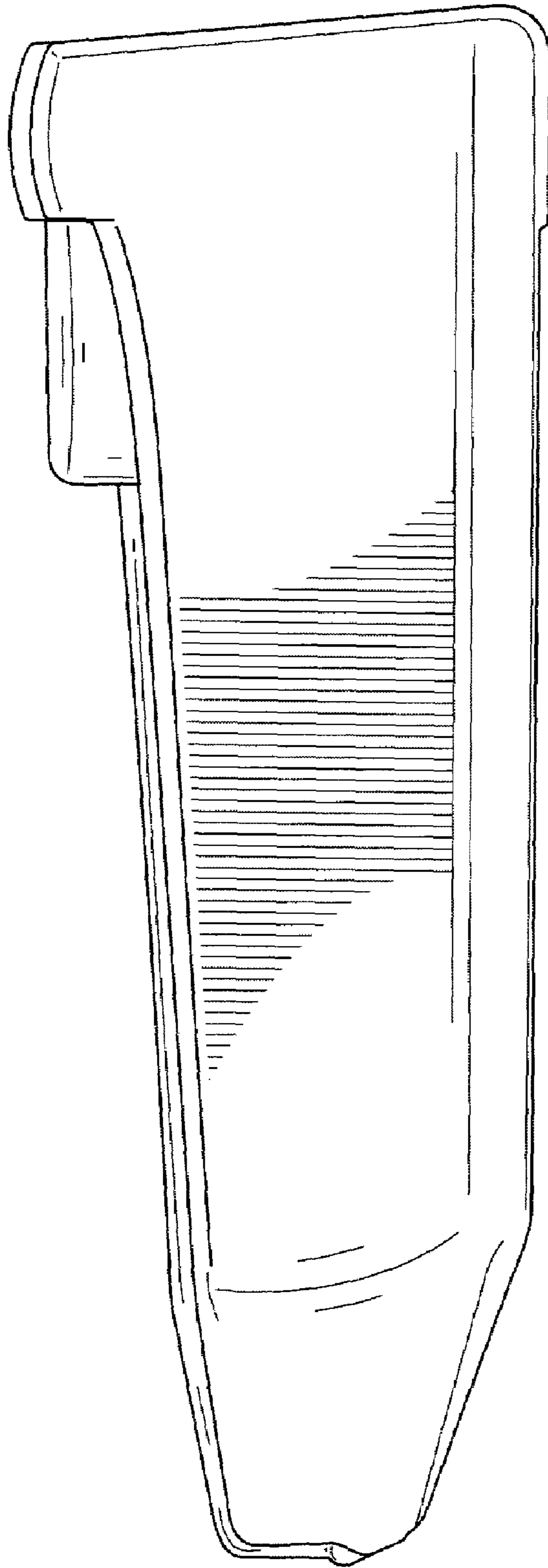


FIG. 5

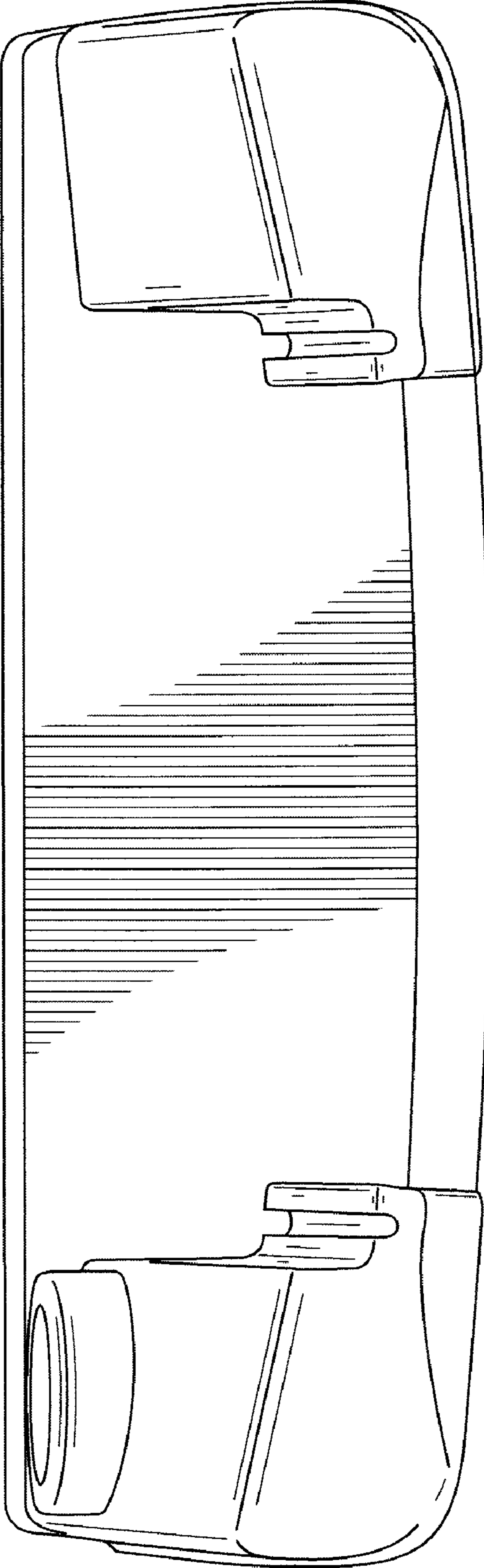


FIG. 6

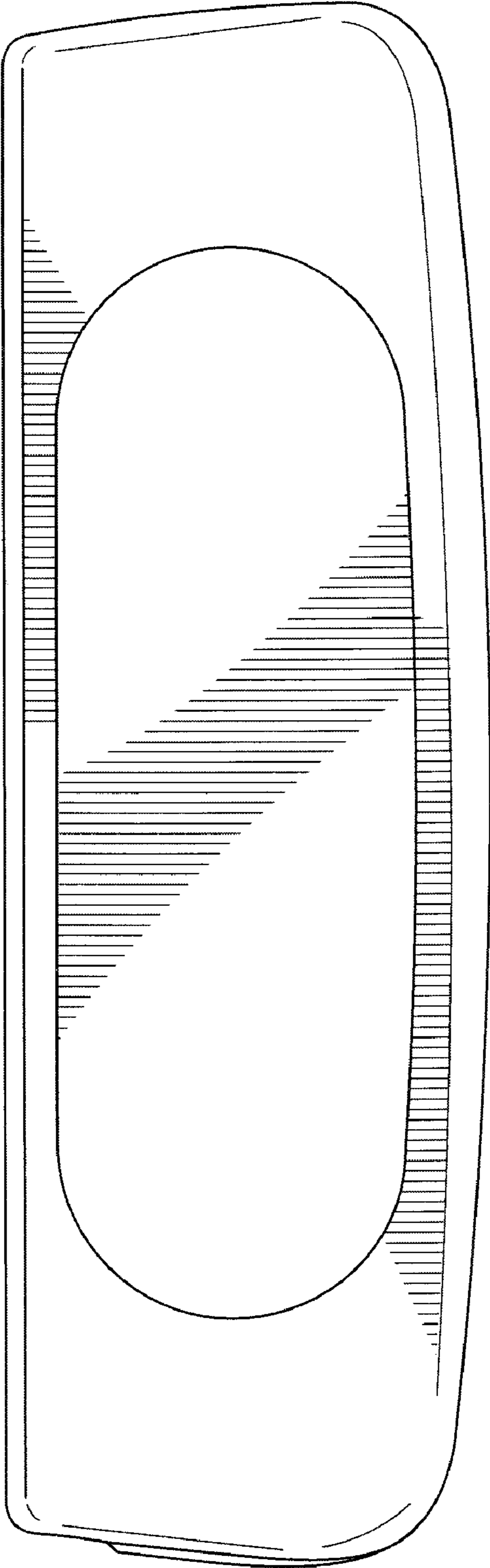


FIG. 7