



US00D573672S

(12) **United States Design Patent**  
**Hsu**

(10) **Patent No.:** **US D573,672 S**  
(45) **Date of Patent:** **\*\* Jul. 22, 2008**

(54) **STOMACH EXERCISE MACHINE**

6,702,388 B1 \* 3/2004 Chiu ..... 297/452.41  
7,118,517 B1 \* 10/2006 Hale ..... 482/140  
7,311,644 B2 \* 12/2007 Hale ..... 482/142

(76) Inventor: **Chih Ming Hsu**, No. 331, Changan Rd.,  
Douliu, Yunlin (TW)

\* cited by examiner

(\*\*) Term: **14 Years**

*Primary Examiner*—Philip S Hyder  
(74) *Attorney, Agent, or Firm*—Banger Shia

(21) Appl. No.: **29/282,004**

(22) Filed: **Jul. 9, 2007**

(57) **CLAIM**

(30) **Foreign Application Priority Data**

The ornamental design for the stomach exercise machine, as shown and described.

Apr. 5, 2007 (CN) ..... 2007 3 0138819

**DESCRIPTION**

(51) **LOC (8) Cl.** ..... **21-02**

FIG. 1 is a perspective view of the stomach exercise machine showing my present design,

(52) **U.S. Cl.** ..... **D21/687; D21/662; D21/686**

FIG. 2 is a front view thereof;

(58) **Field of Classification Search** ..... D21/662,  
D21/686, 687, 691, 694; 482/140, 142, 148,  
482/91, 132

FIG. 3 is a rear view thereof;

See application file for complete search history.

FIG. 4 is a left plan view thereof;

FIG. 5 is a right plan view thereof;

(56) **References Cited**

FIG. 6 is a top view thereof; and

**U.S. PATENT DOCUMENTS**

FIG. 7 is a bottom view; and,

6,375,604 B1 \* 4/2002 Verhines ..... 493/325

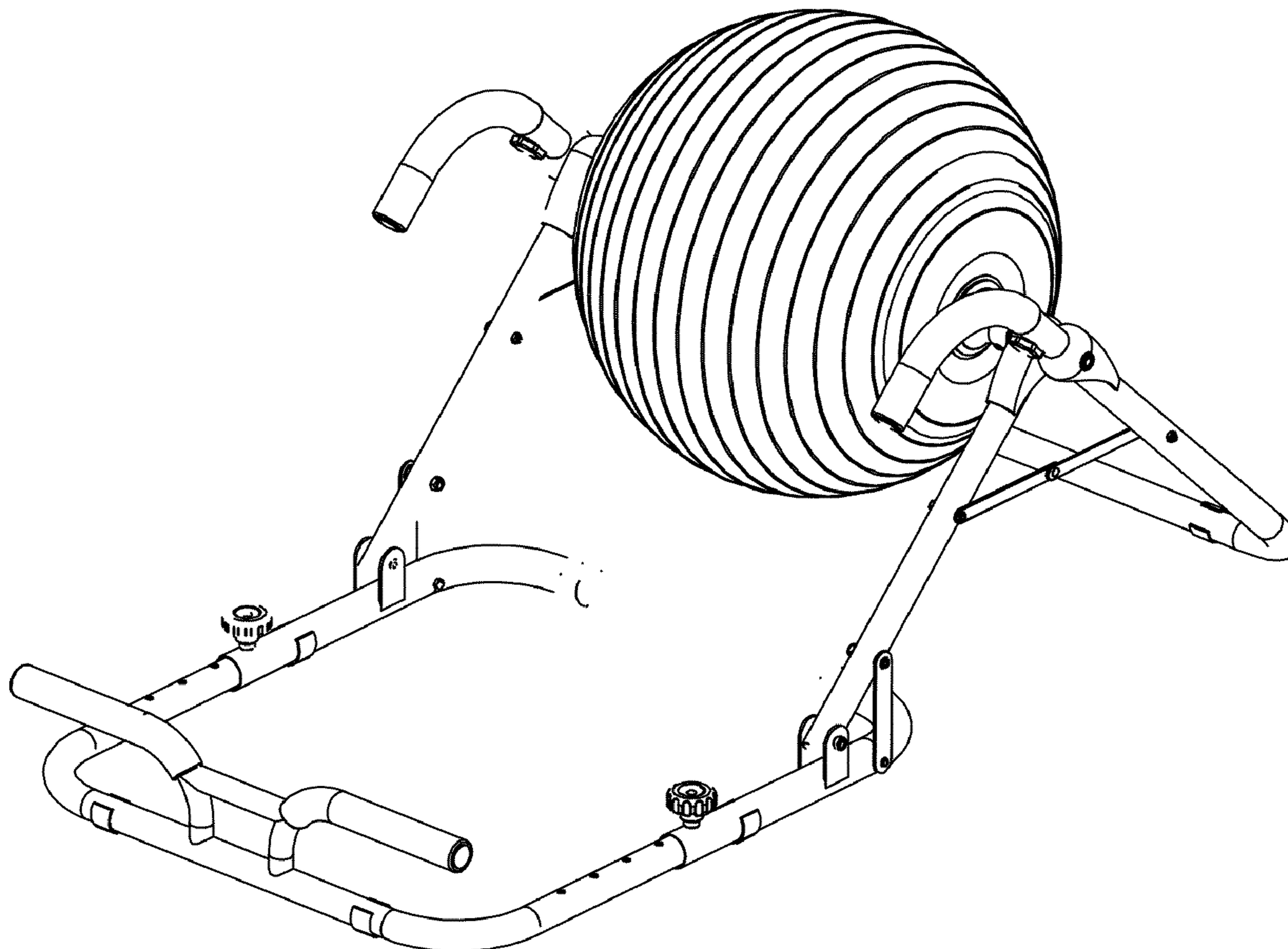
FIG. 8 is a perspective view of the stomach exercise machine showing my present design in storage situation.

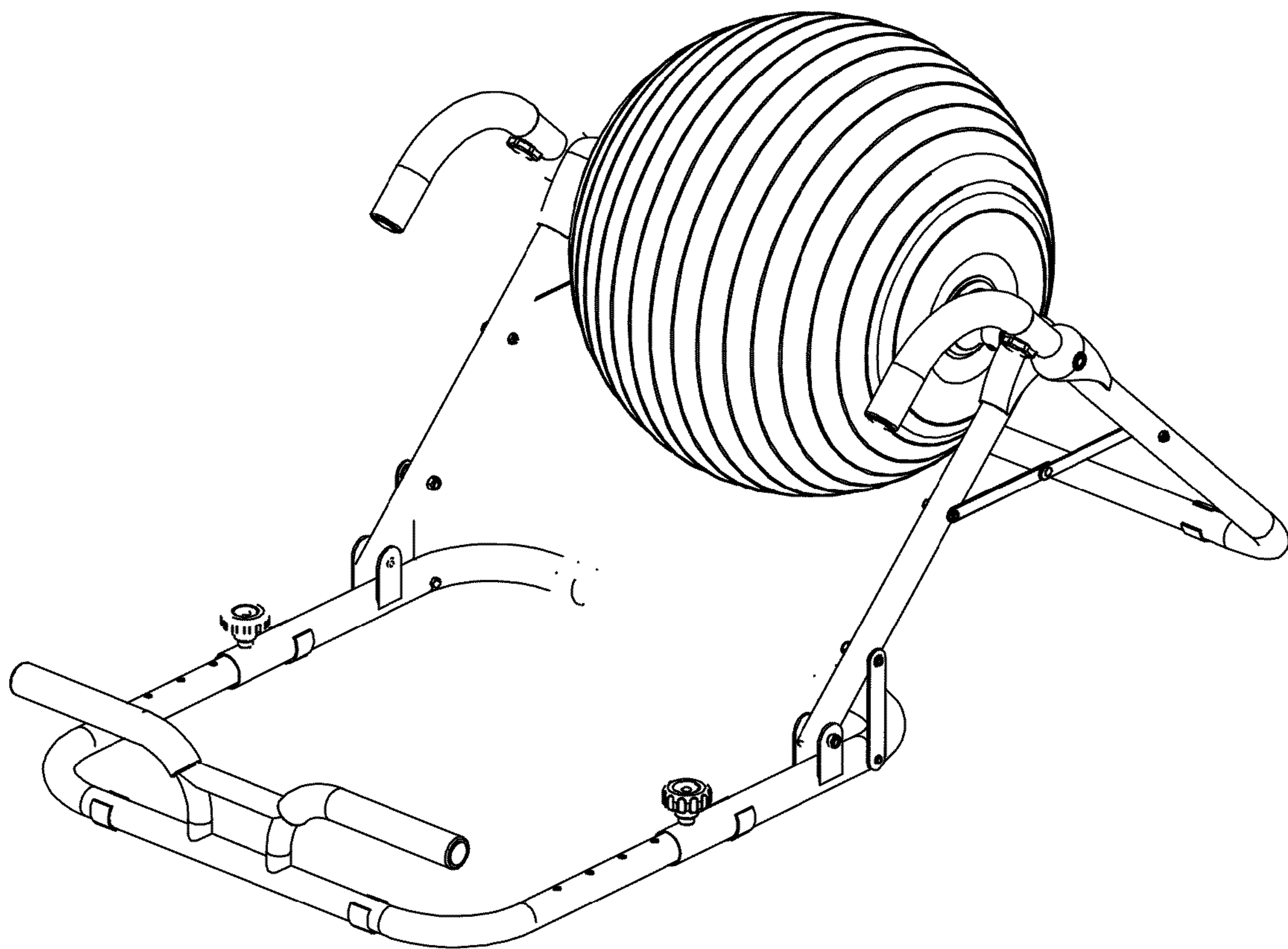
6,461,284 B1 \* 10/2002 Francavilla ..... 482/142

6,478,721 B1 \* 11/2002 Hunter ..... 482/140

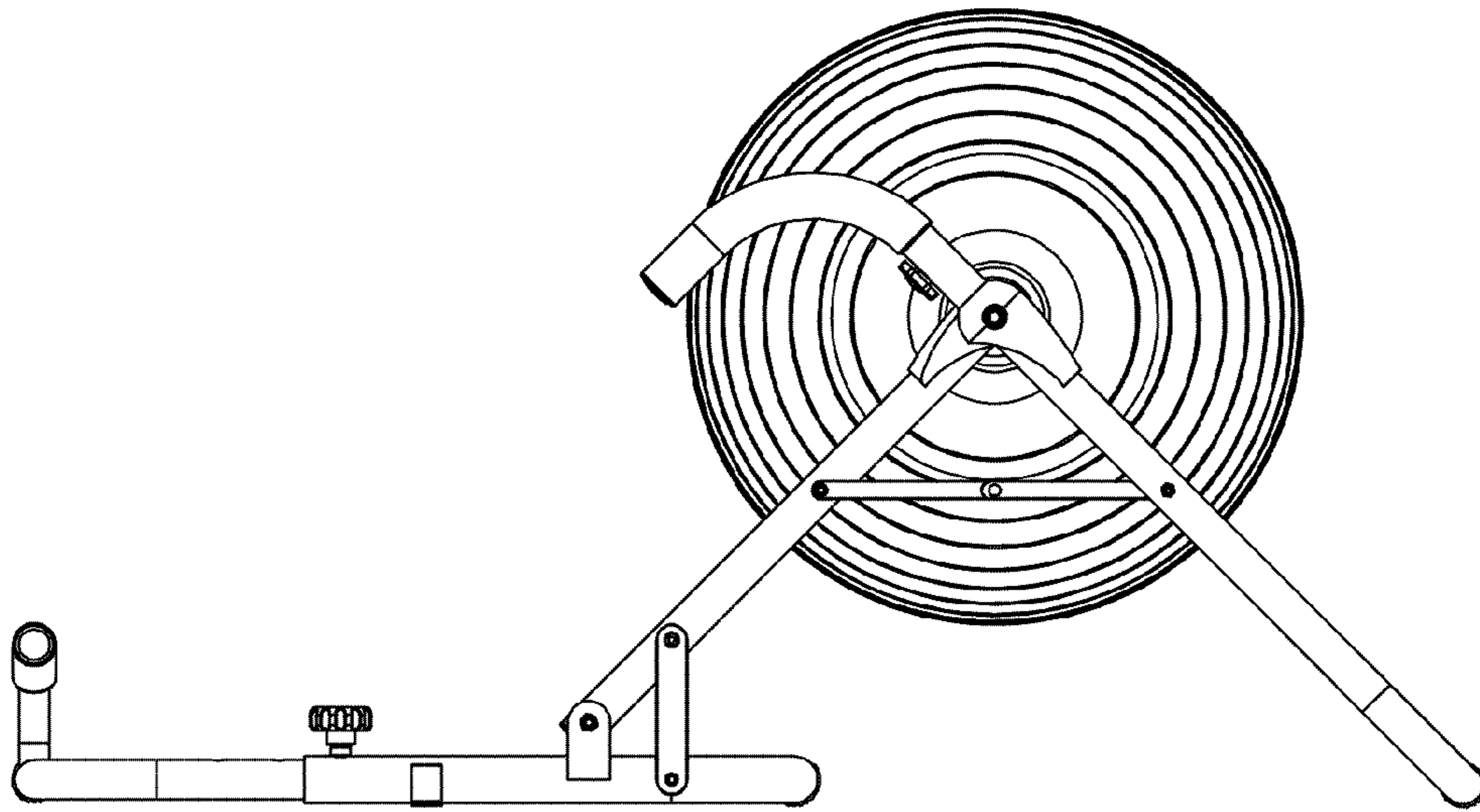
D476,705 S \* 7/2003 Dillard ..... D21/662

**1 Claim, 5 Drawing Sheets**

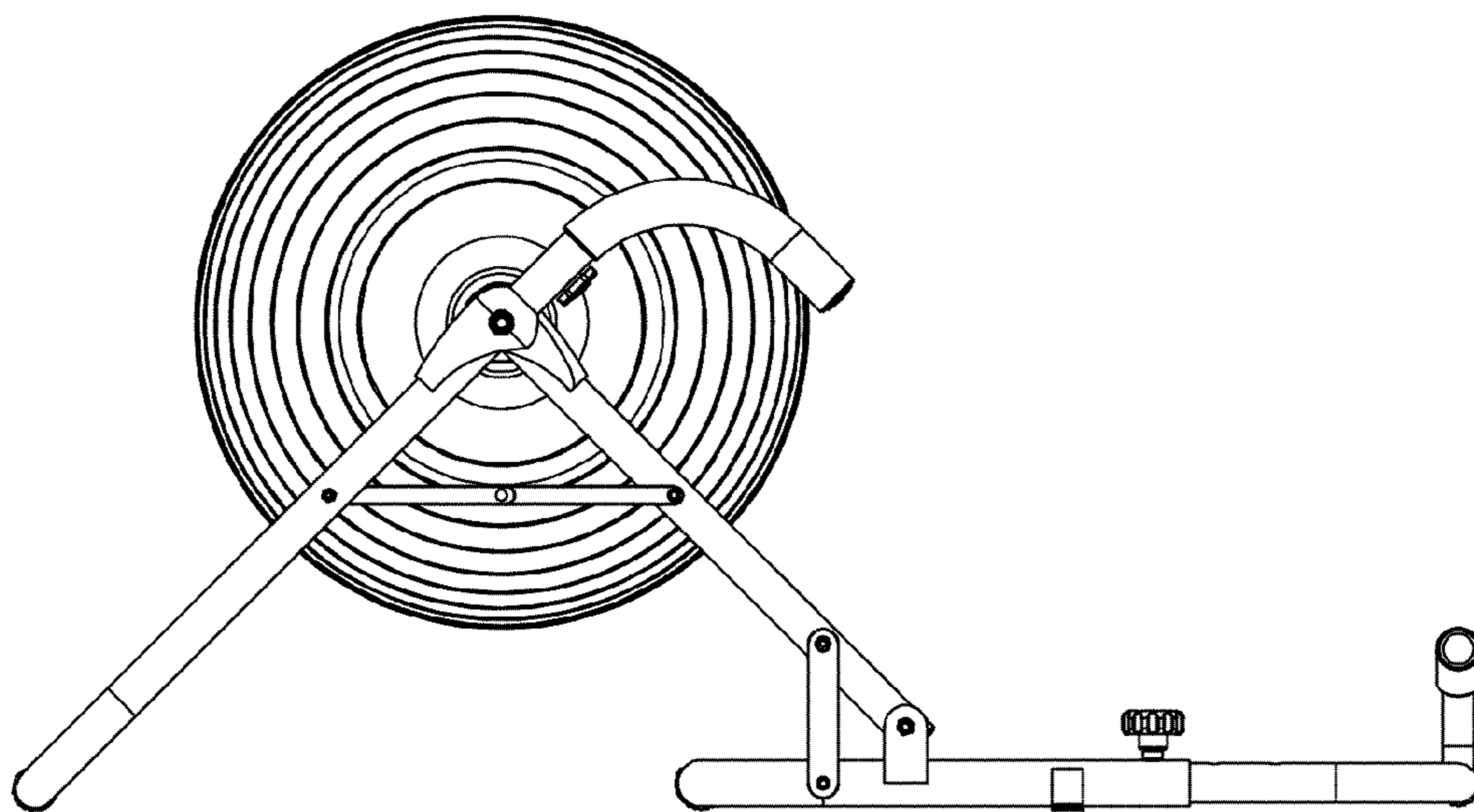




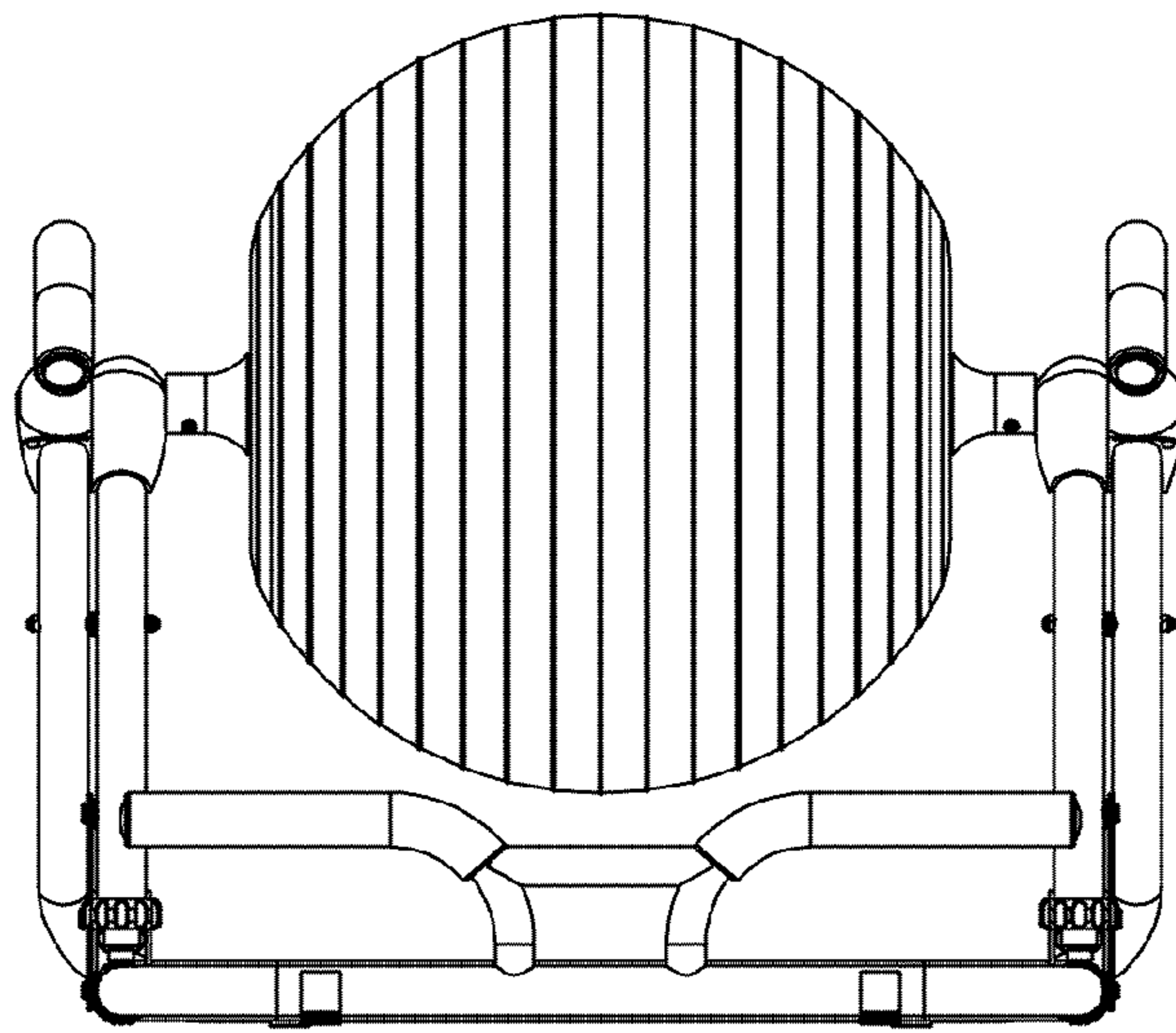
**FIG. 1**



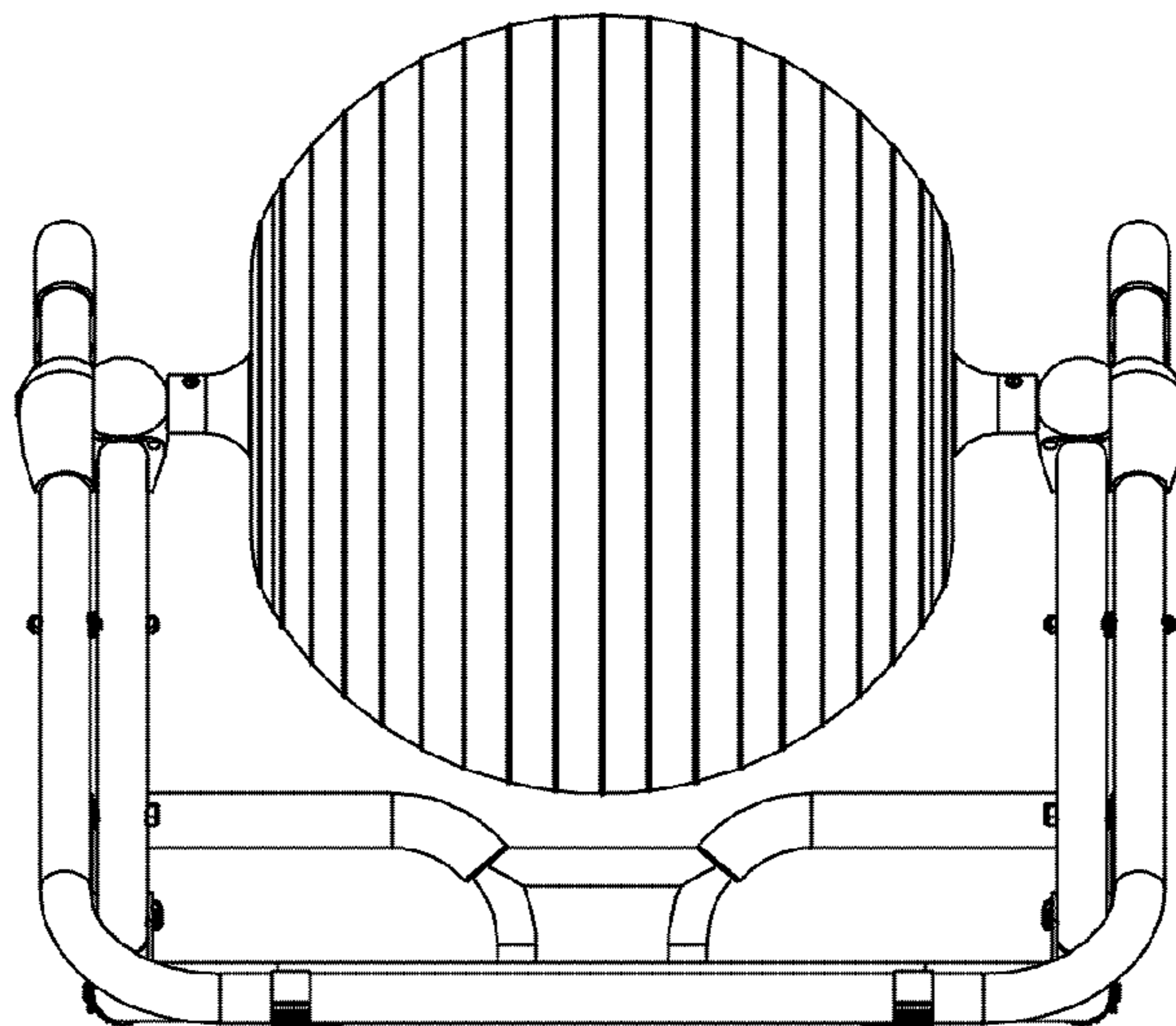
**FIG. 2**



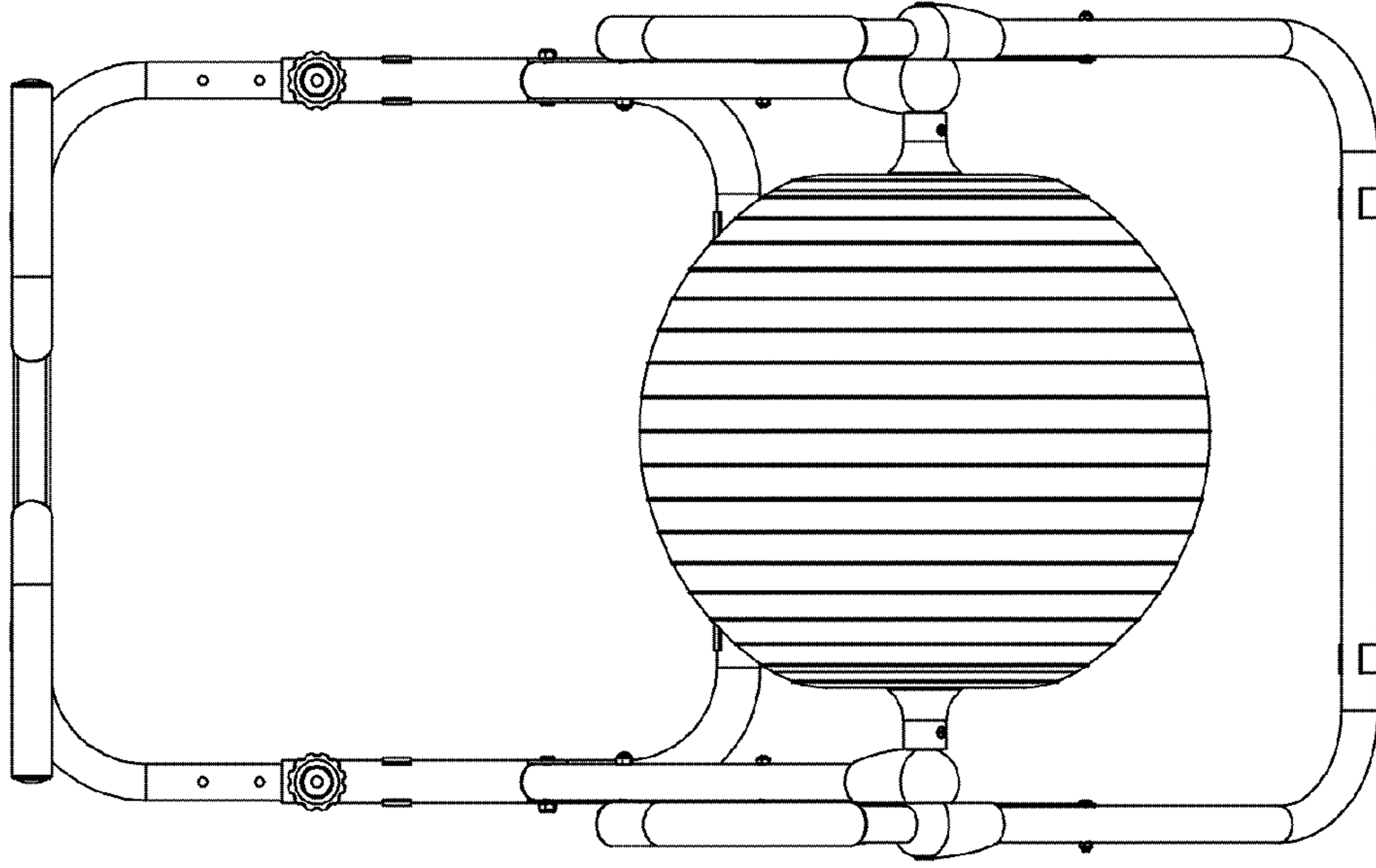
**FIG. 3**



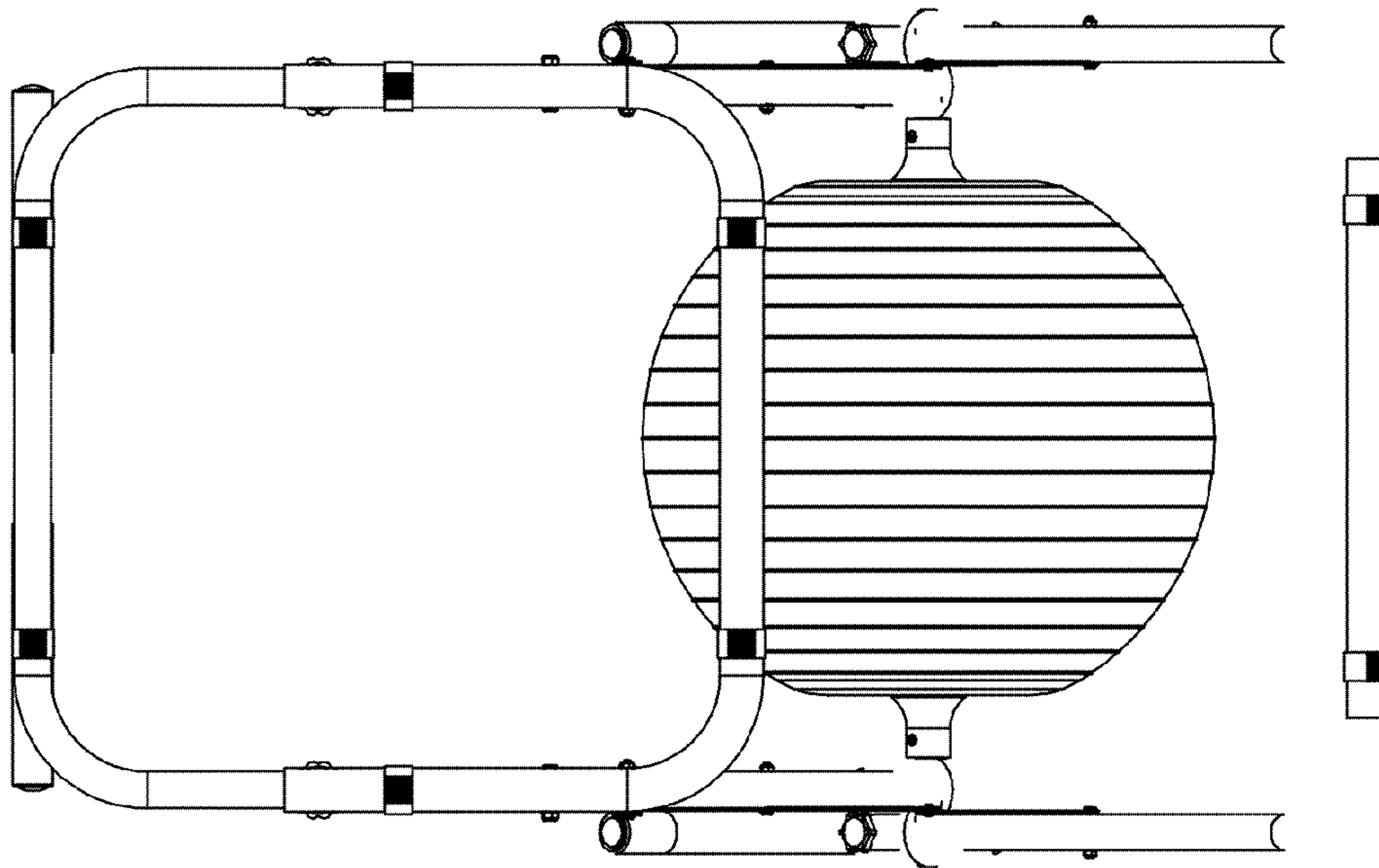
**FIG. 4**



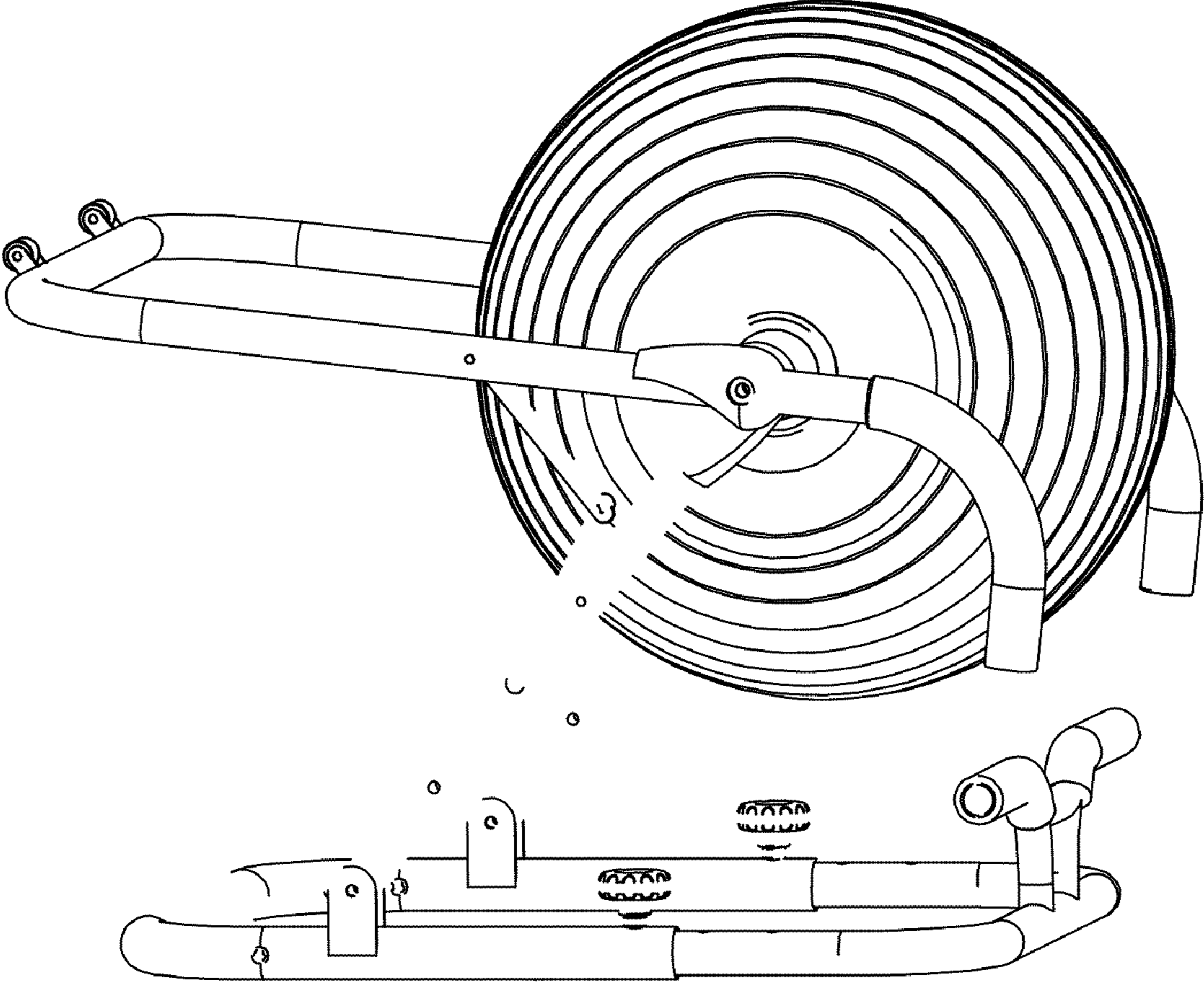
**FIG. 5**



**FIG. 6**



**FIG. 7**



**FIG. 8**