

US00D573671S

(12) **United States Design Patent**
Nardone

(10) **Patent No.:** **US D573,671 S**
(45) **Date of Patent:** **** Jul. 22, 2008**

(54) **ABDOMINAL MUSCLE TRAINING DEVICE**

(76) Inventor: **Jennifer Nardone**, 9B Building 27,
Coastal Rose Garden, Shenzhen District
Shekou 518067 (CN)

(**) Term: **14 Years**

(21) Appl. No.: **29/254,651**

(22) Filed: **Feb. 27, 2006**

Related U.S. Application Data

(63) Continuation-in-part of application No. 29/245,934,
filed on Dec. 30, 2005, now Pat. No. Des. 558,863.

(51) **LOC (8) Cl.** **21-02**

(52) **U.S. Cl.** **D21/687**

(58) **Field of Classification Search** D21/662,
D21/686, 687, 688, 690; 482/140, 142, 132
See application file for complete search history.

(56) **References Cited**

U.S. PATENT DOCUMENTS

D384,379	S *	9/1997	Lin	D21/687
5,871,425	A *	2/1999	Gvoich	482/140
5,941,806	A *	8/1999	Olschansky et al.	482/140
6,258,016	B1 *	7/2001	Kuo	482/142
6,283,900	B1 *	9/2001	Tornabene	482/122
6,428,450	B1 *	8/2002	Ho et al.	482/140
6,491,611	B1 *	12/2002	Stearns	482/142
6,544,151	B2 *	4/2003	Tornabene	482/122
6,544,154	B2 *	4/2003	Forcillo	482/142

6,575,884	B1 *	6/2003	Eazor	482/140
6,602,171	B1 *	8/2003	Tsen et al.	482/140
6,695,753	B2 *	2/2004	Ho et al.	482/95
D496,701	S *	9/2004	Chung	D21/687

FOREIGN PATENT DOCUMENTS

DE 20 2005 009 651.2 5/2006

* cited by examiner

Primary Examiner—Philip S. Hyder

(57) **CLAIM**

The ornamental design for an abdominal muscle training device, as shown and described.

DESCRIPTION

FIG. 1 is a front right perspective view of an abdominal muscle training device, showing my new design.

FIG. 2 is a front left perspective view of the abdominal muscle training device.

FIG. 3 is a left side elevation view thereof.

FIG. 4 is a left rear perspective view thereof.

FIG. 5 is a rear elevation view thereof.

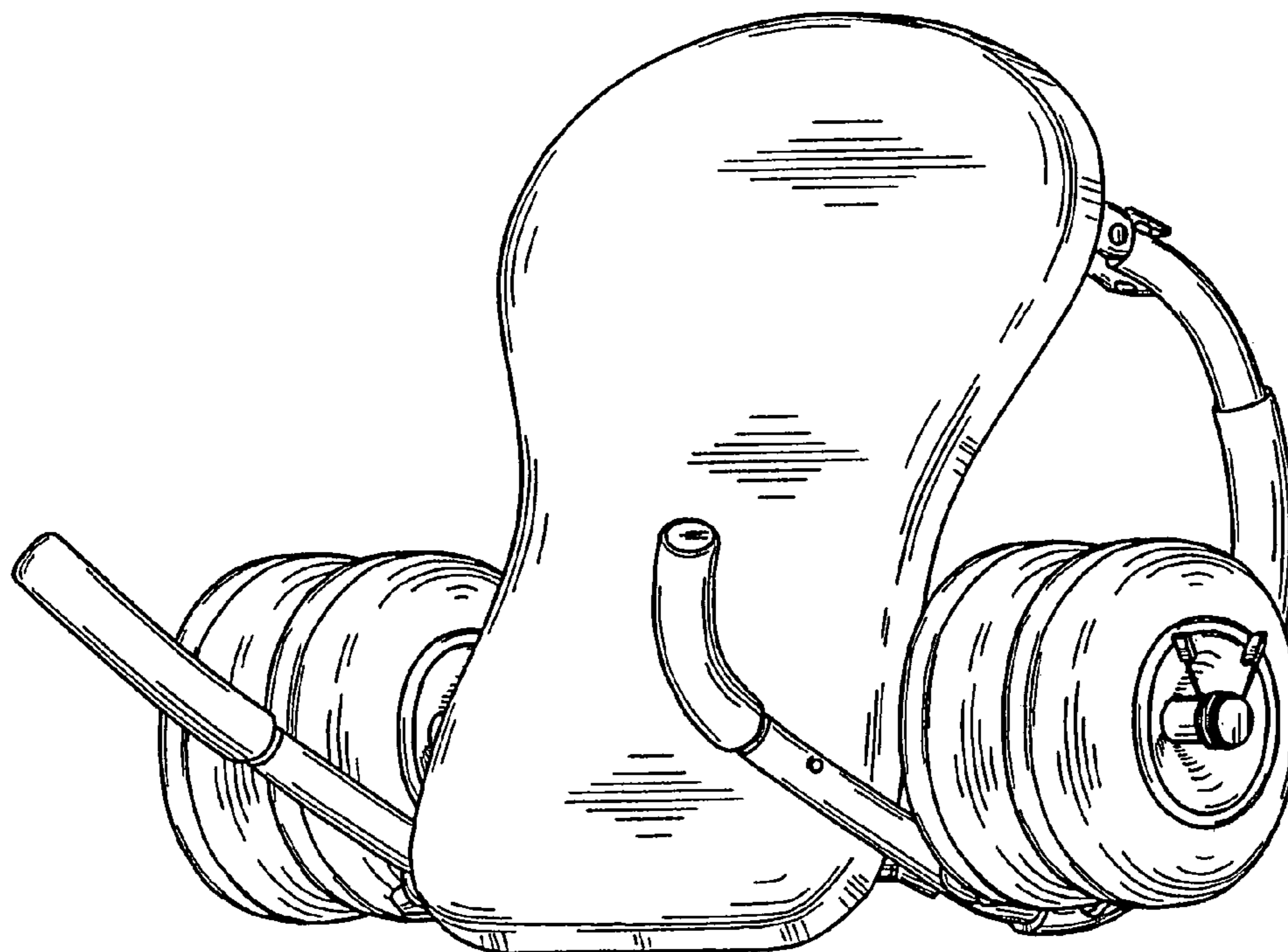
FIG. 6 is a right rear perspective view thereof.

FIG. 7 is a right side elevation view thereof.

FIG. 8 is a front elevation view thereof; and,

FIG. 9 is a partially exploded left rear perspective view thereof.

1 Claim, 9 Drawing Sheets



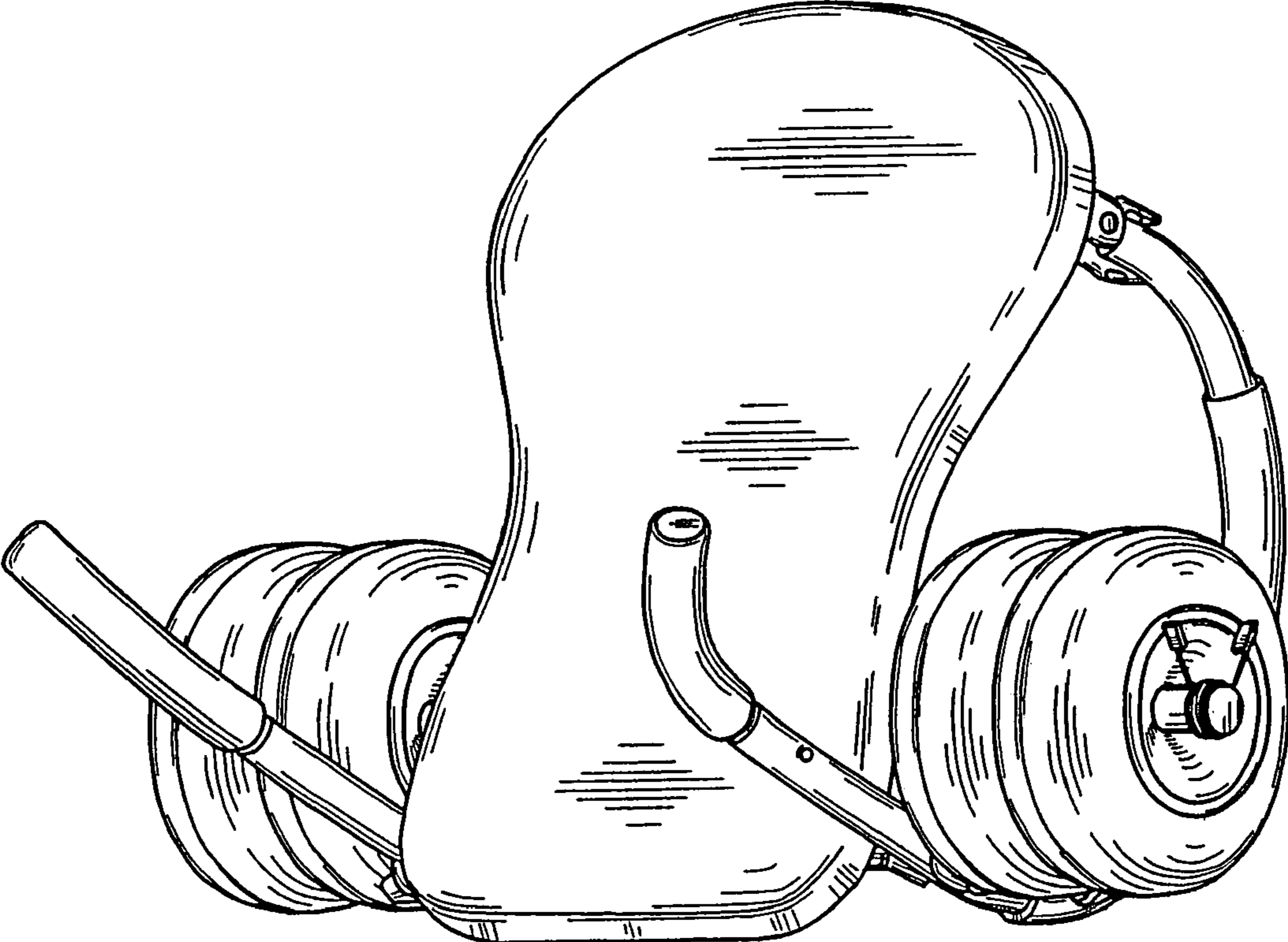


FIG. 1

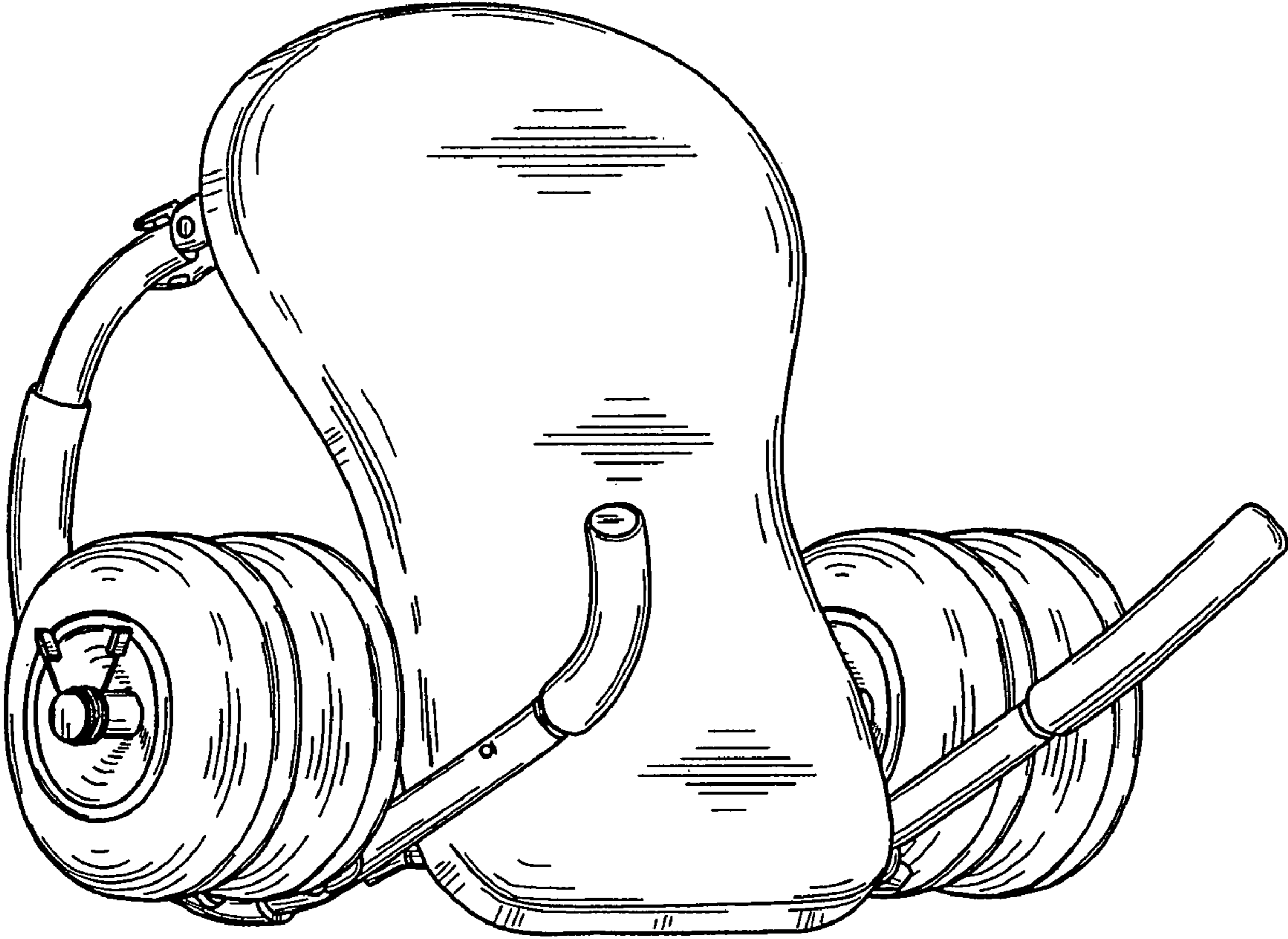


FIG. 2

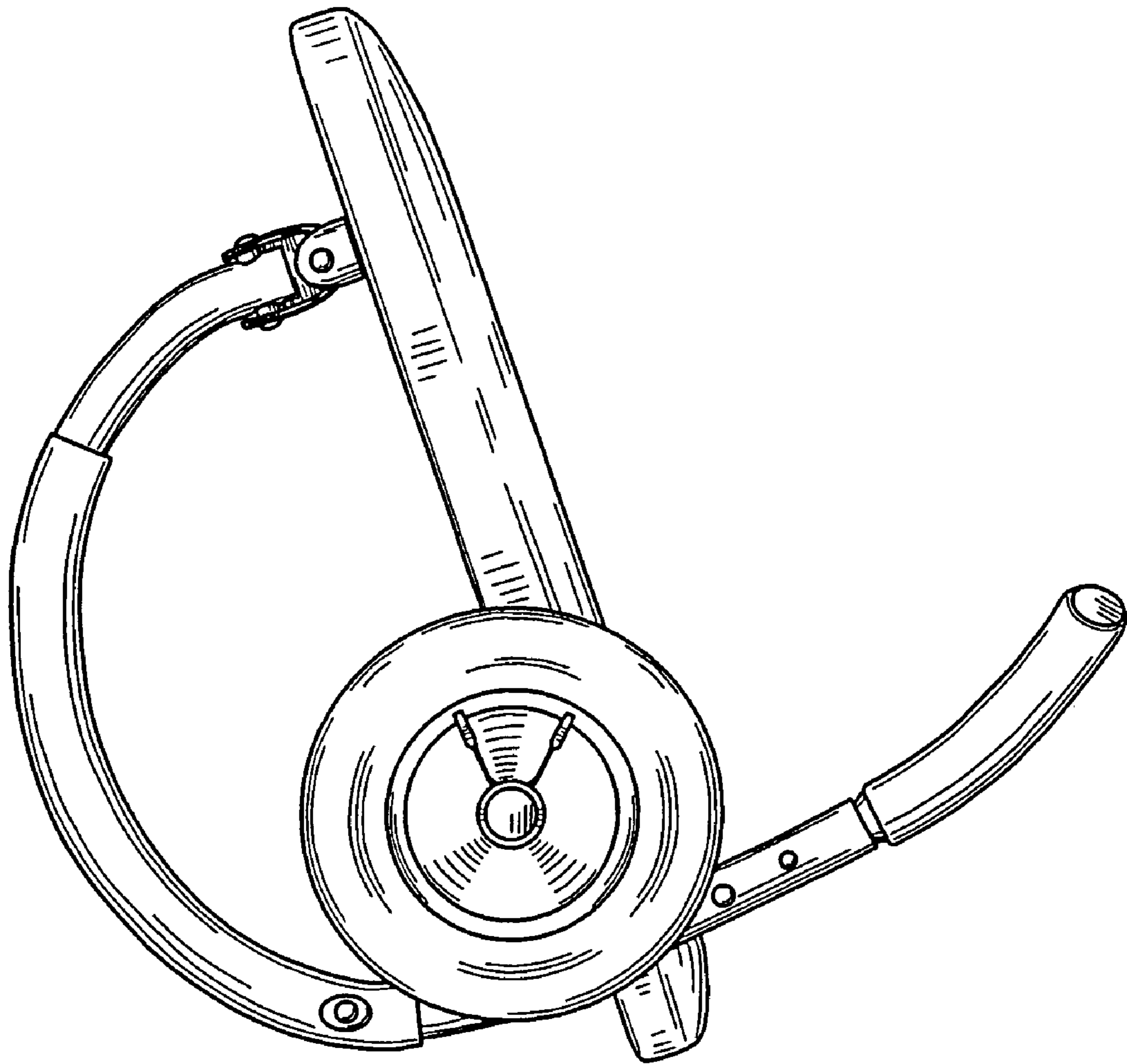


FIG. 3

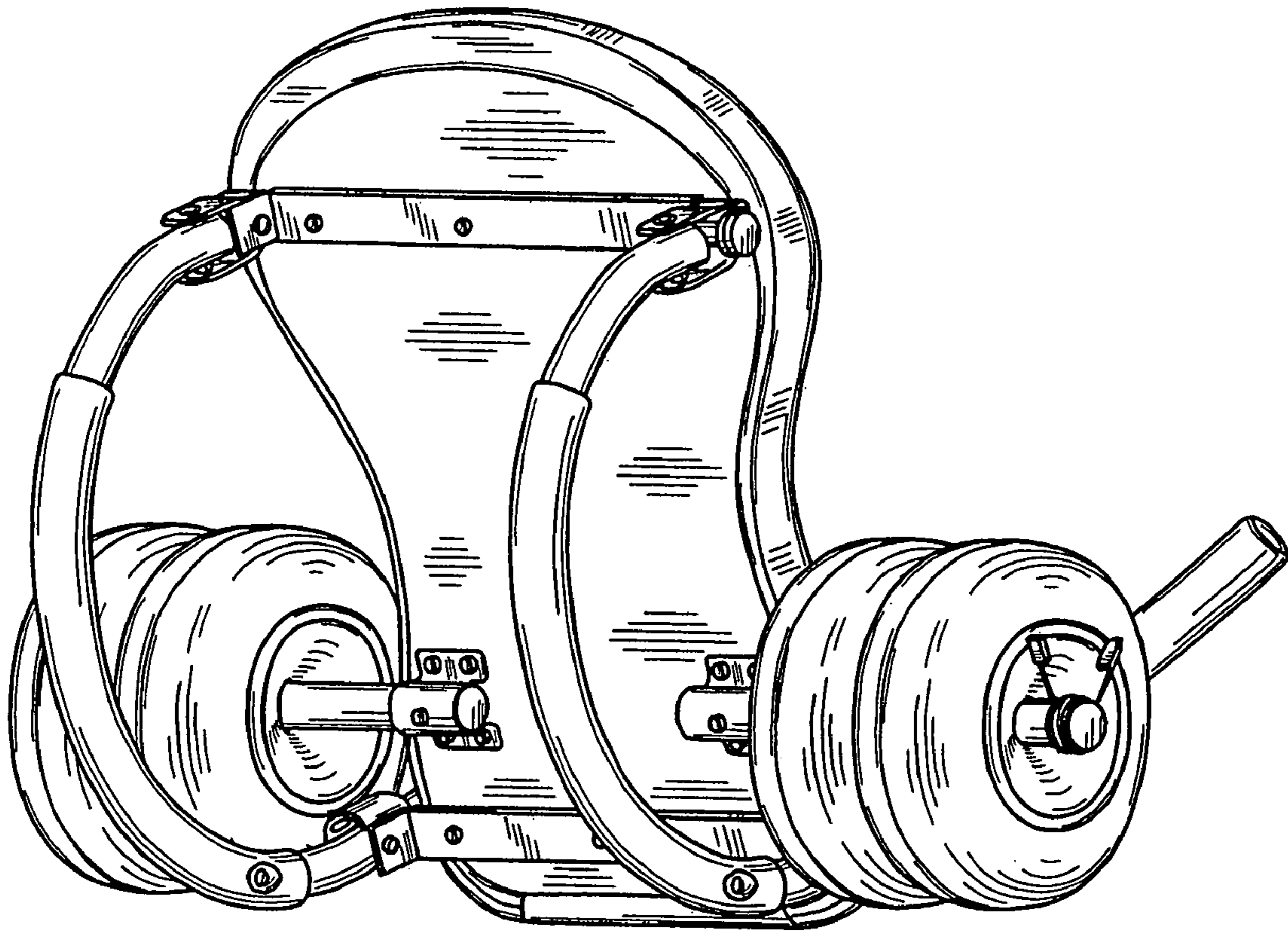


FIG. 4

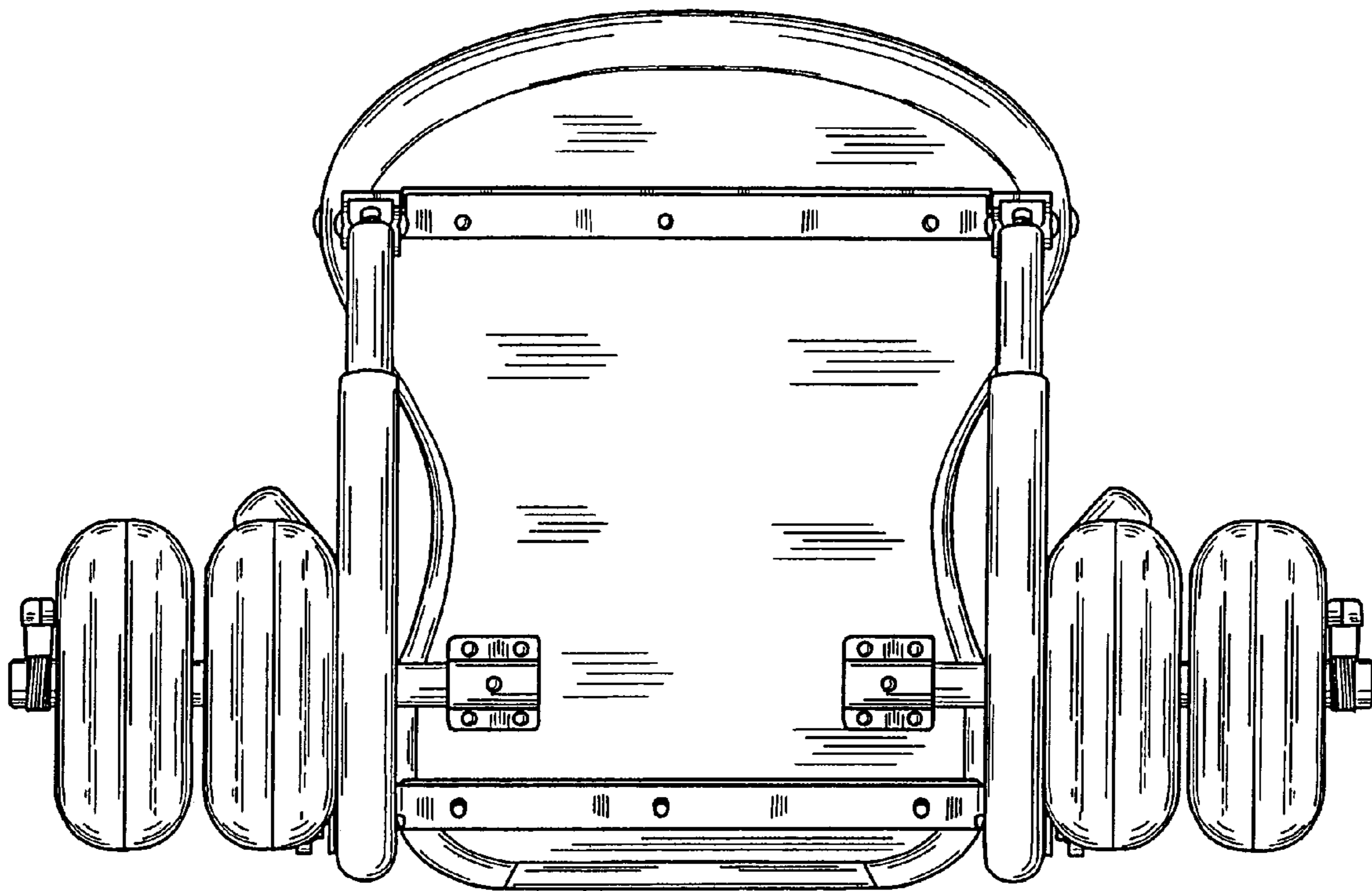


FIG. 5

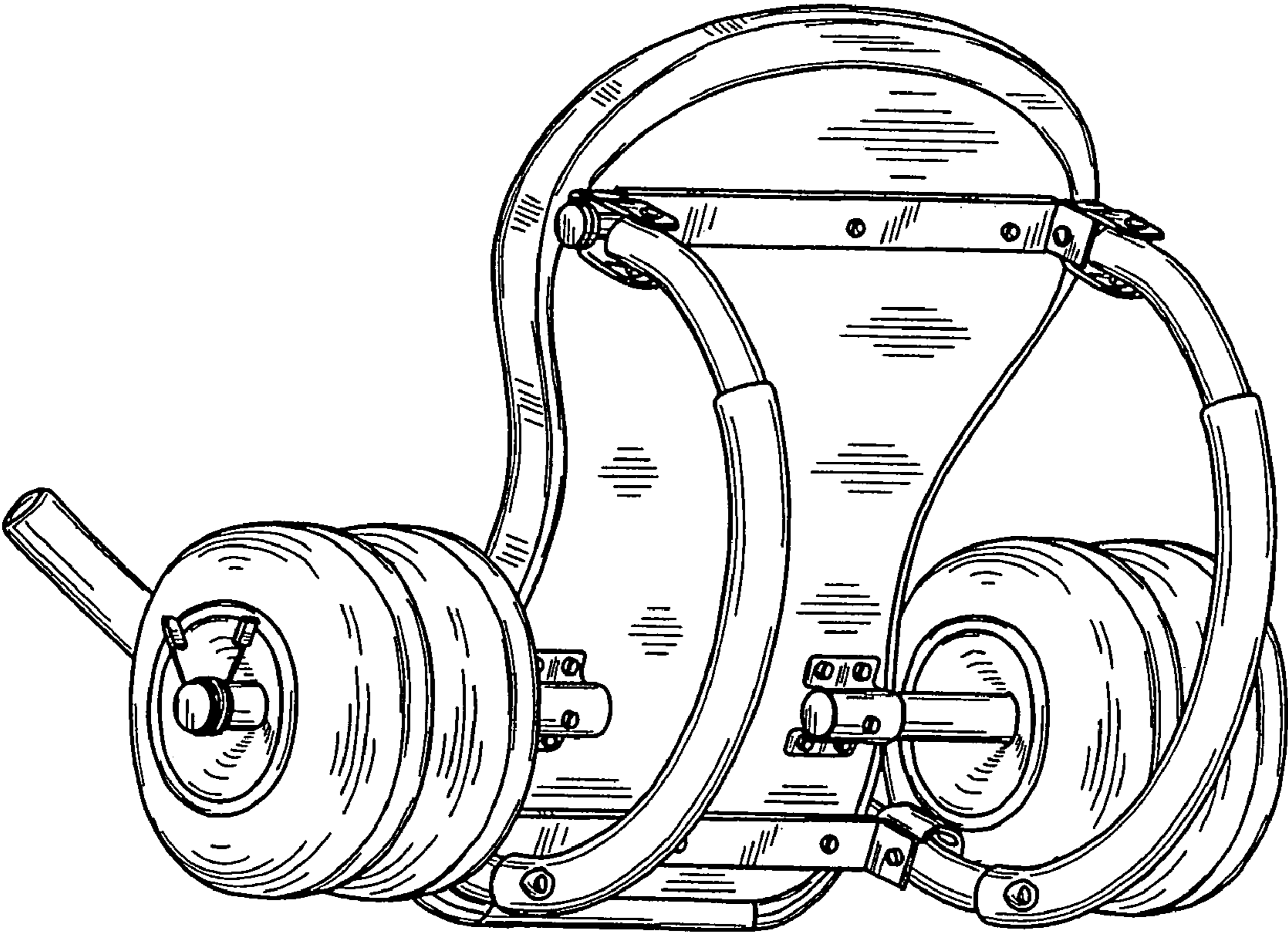


FIG. 6

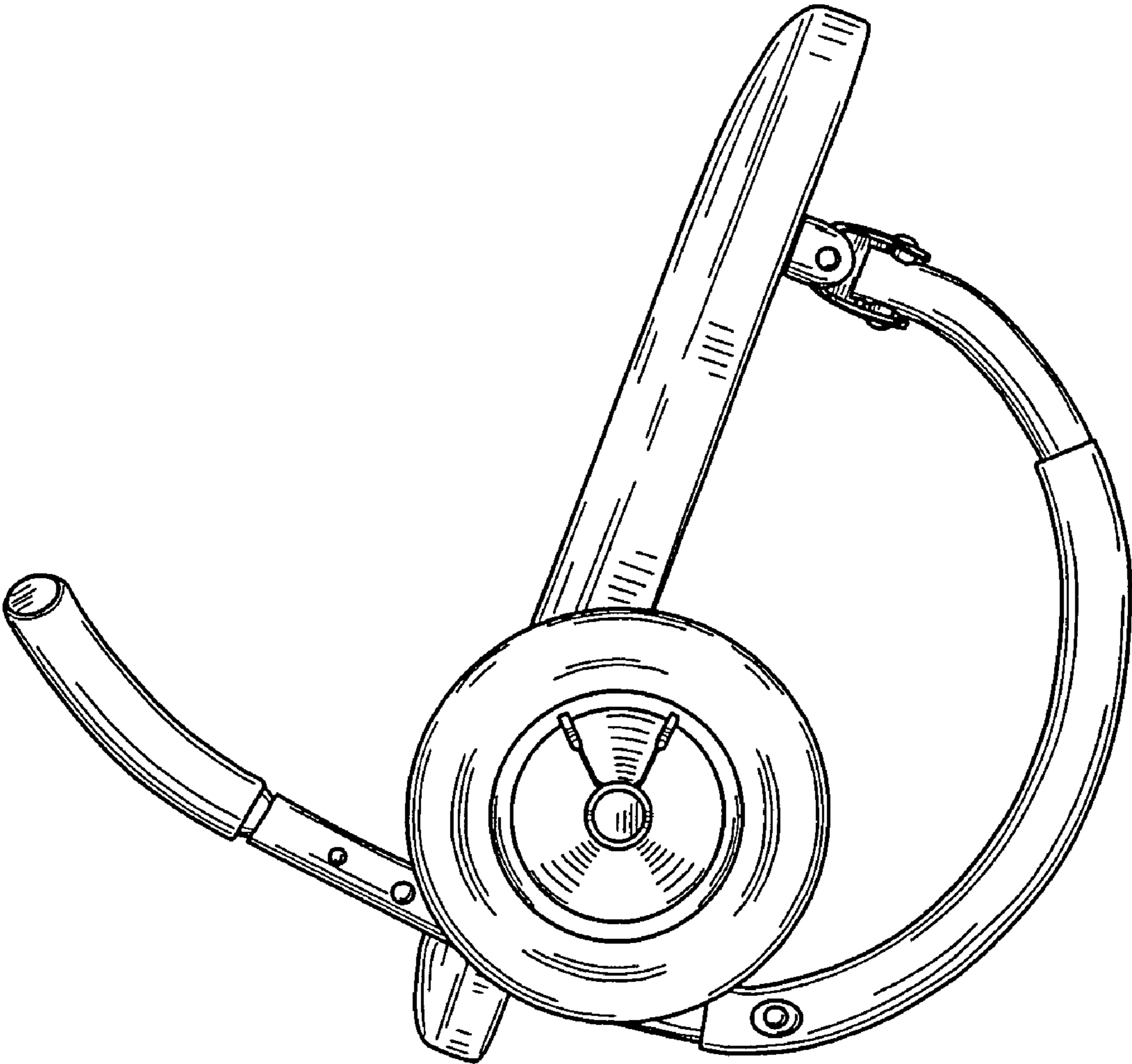


FIG. 7

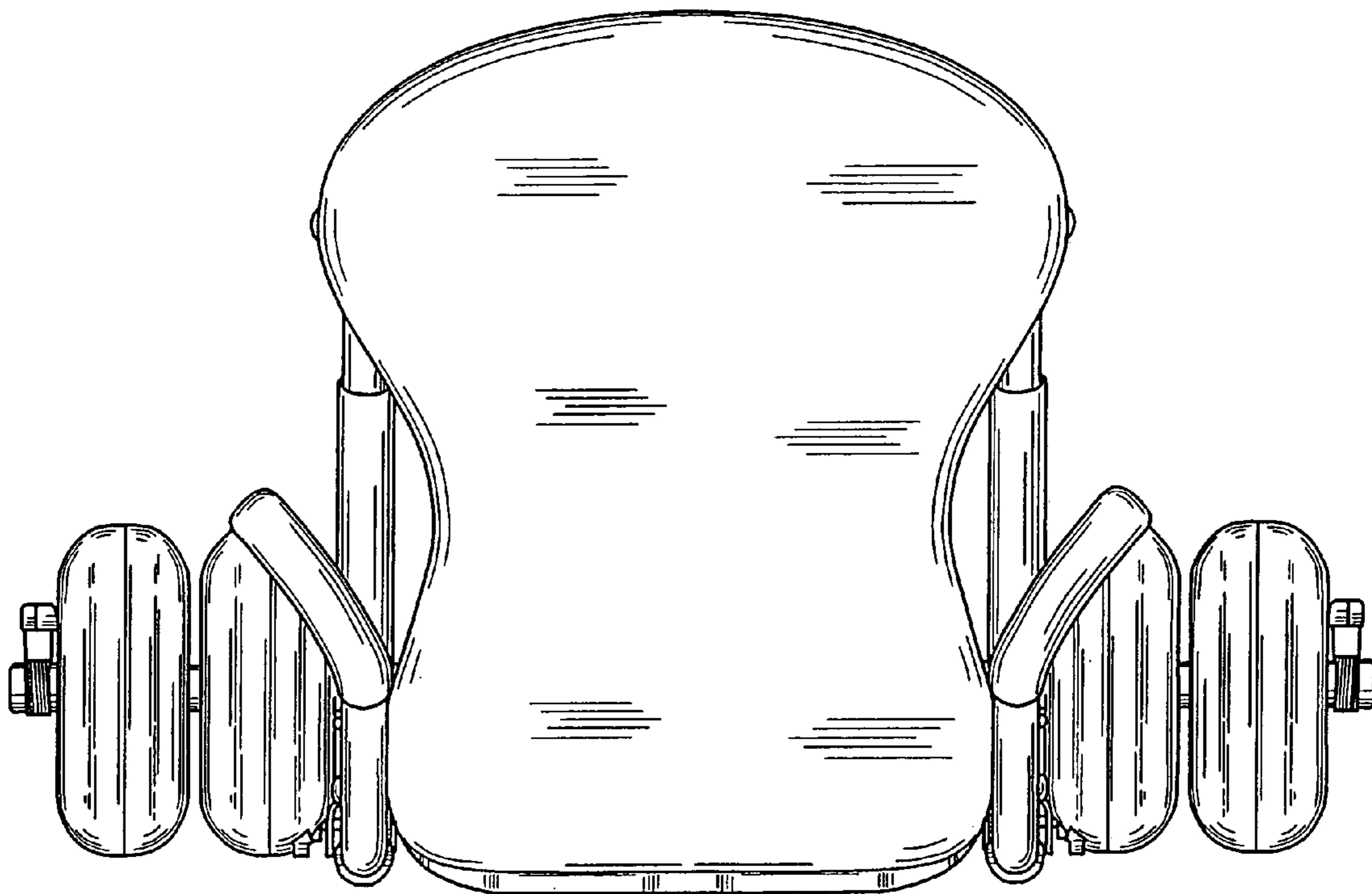


FIG. 8

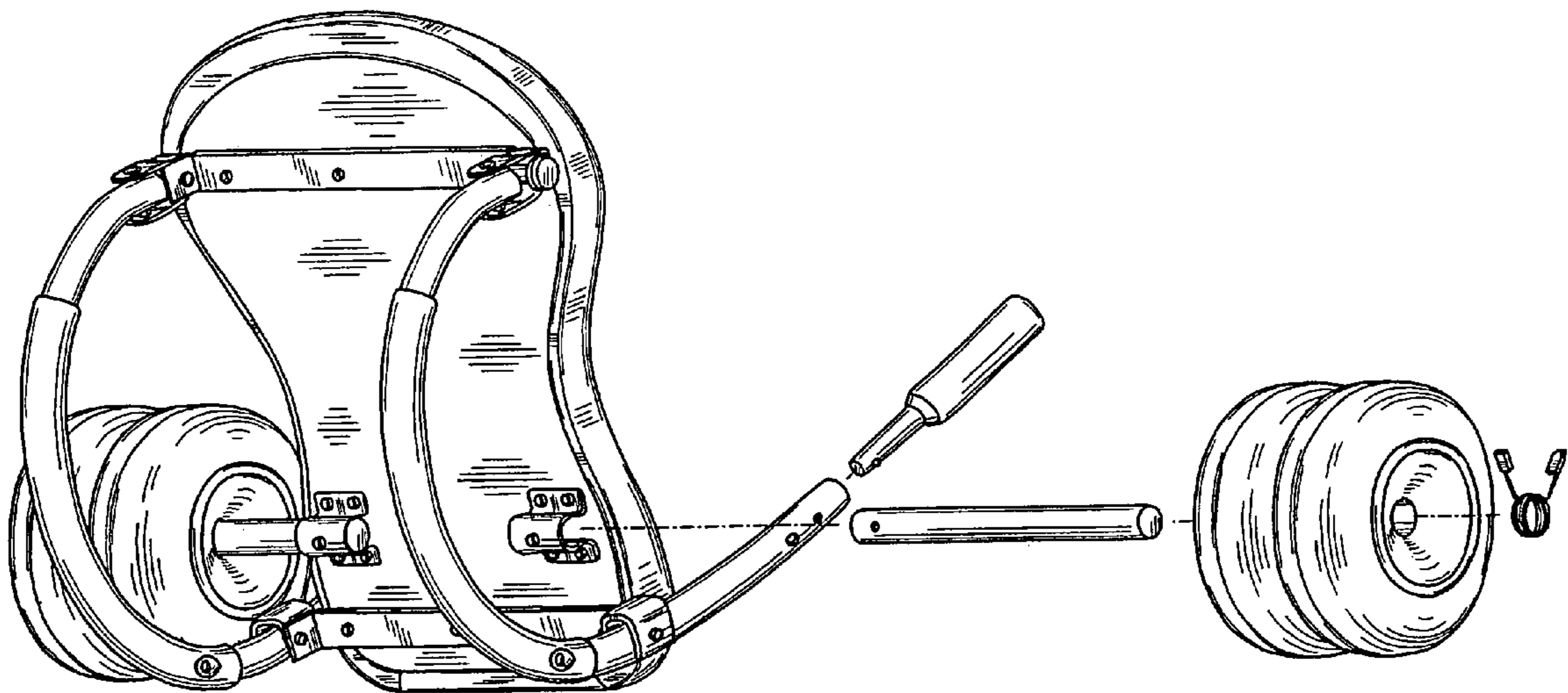


FIG. 9