



US00D573668S

(12) **United States Design Patent**
Auberger et al.

(10) **Patent No.:** **US D573,668 S**

(45) **Date of Patent:** **** Jul. 22, 2008**

(54) **DOLL**

(75) Inventors: **Benoît Auberger**, Mouilleron En Parede (FR); **Christelle Boutin**, Bressuire (FR)

(73) Assignee: **Wesco Company S.A.**, Cerizay (FR)

(**) Term: **14 Years**

(21) Appl. No.: **29/288,769**

(22) Filed: **Jun. 19, 2007**

(30) **Foreign Application Priority Data**

Dec. 19, 2006 (EM) 000640768-0031

(51) **LOC (8) Cl.** **21-01**

(52) **U.S. Cl.** **D21/621**

(58) **Field of Classification Search** D21/621,
D21/623, 625, 630, 631, 634, 645-649, 659;
446/136, 268, 305, 360-361, 376, 379, 382-384
See application file for complete search history.

(56) **References Cited**

U.S. PATENT DOCUMENTS

D67,536 S * 6/1925 Munson D21/631
D265,752 S * 8/1982 Miller Stoll et al. D21/631
4,729,751 A * 3/1988 Schiavo et al. 446/268
D295,202 S * 4/1988 Updike D21/625

D353,635 S * 12/1994 Leetzow D21/631
D368,122 S * 3/1996 Nelson D21/631
D417,899 S * 12/1999 Sloan D21/754
D441,809 S * 5/2001 Balbach D21/631
D445,150 S * 7/2001 Stolpen D21/577
D445,848 S * 7/2001 Hammond D21/588
D450,787 S * 11/2001 Jenkins et al. D21/577
D474,251 S * 5/2003 Reiher et al. D21/631
D474,515 S * 5/2003 Reiher et al. D21/631
D482,083 S * 11/2003 Williams D21/621
D482,745 S * 11/2003 Donaldson D21/631
D519,170 S * 4/2006 De Leo D21/631

* cited by examiner

Primary Examiner—Janice E. Seeger

Assistant Examiner—Zenia I. Bennett

(74) *Attorney, Agent, or Firm*—Horst M. Kasper

(57) **CLAIM**

The ornamental design for a doll, as shown and described.

DESCRIPTION

FIG. 1 is a perspective view of a doll;

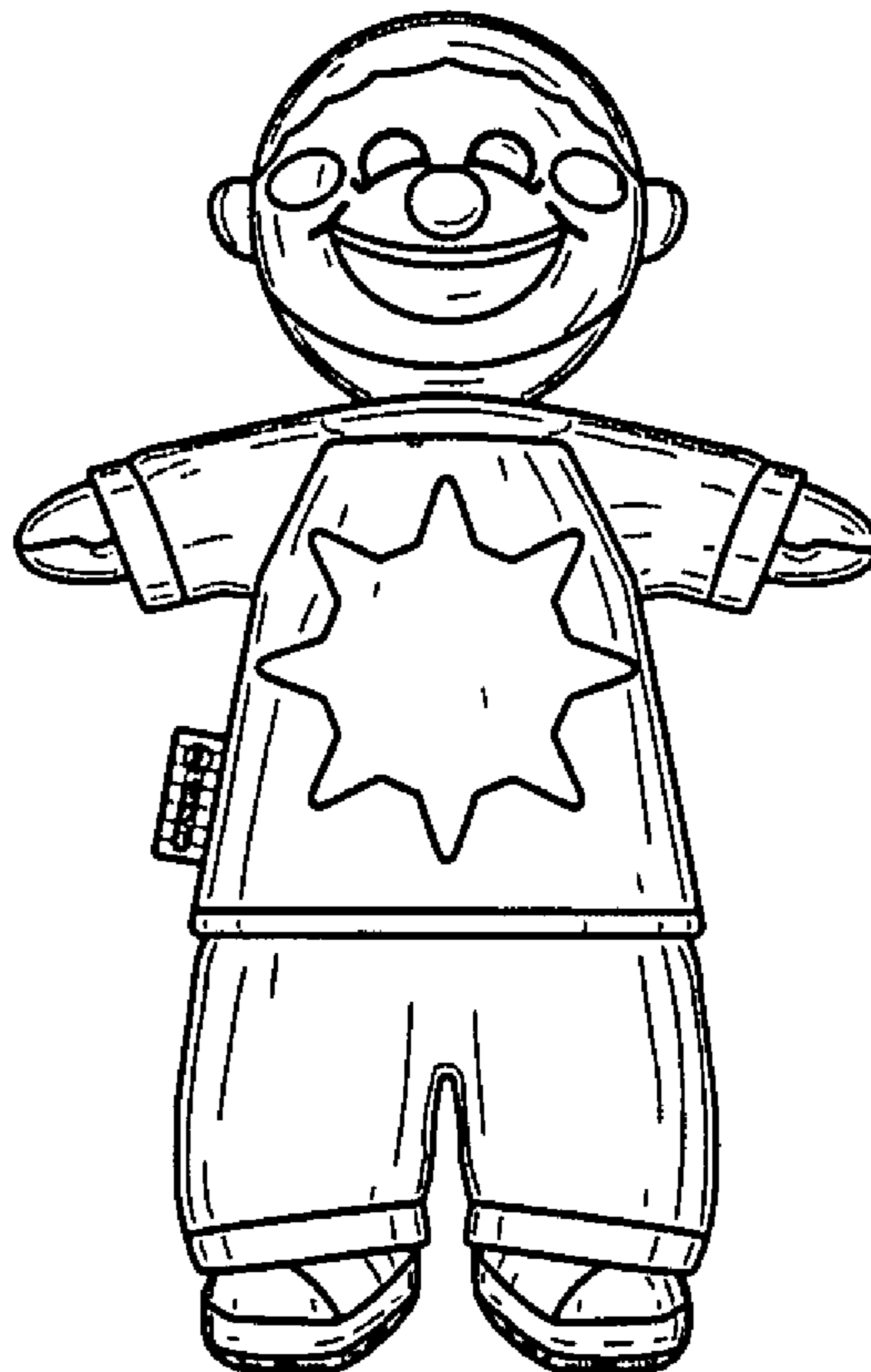
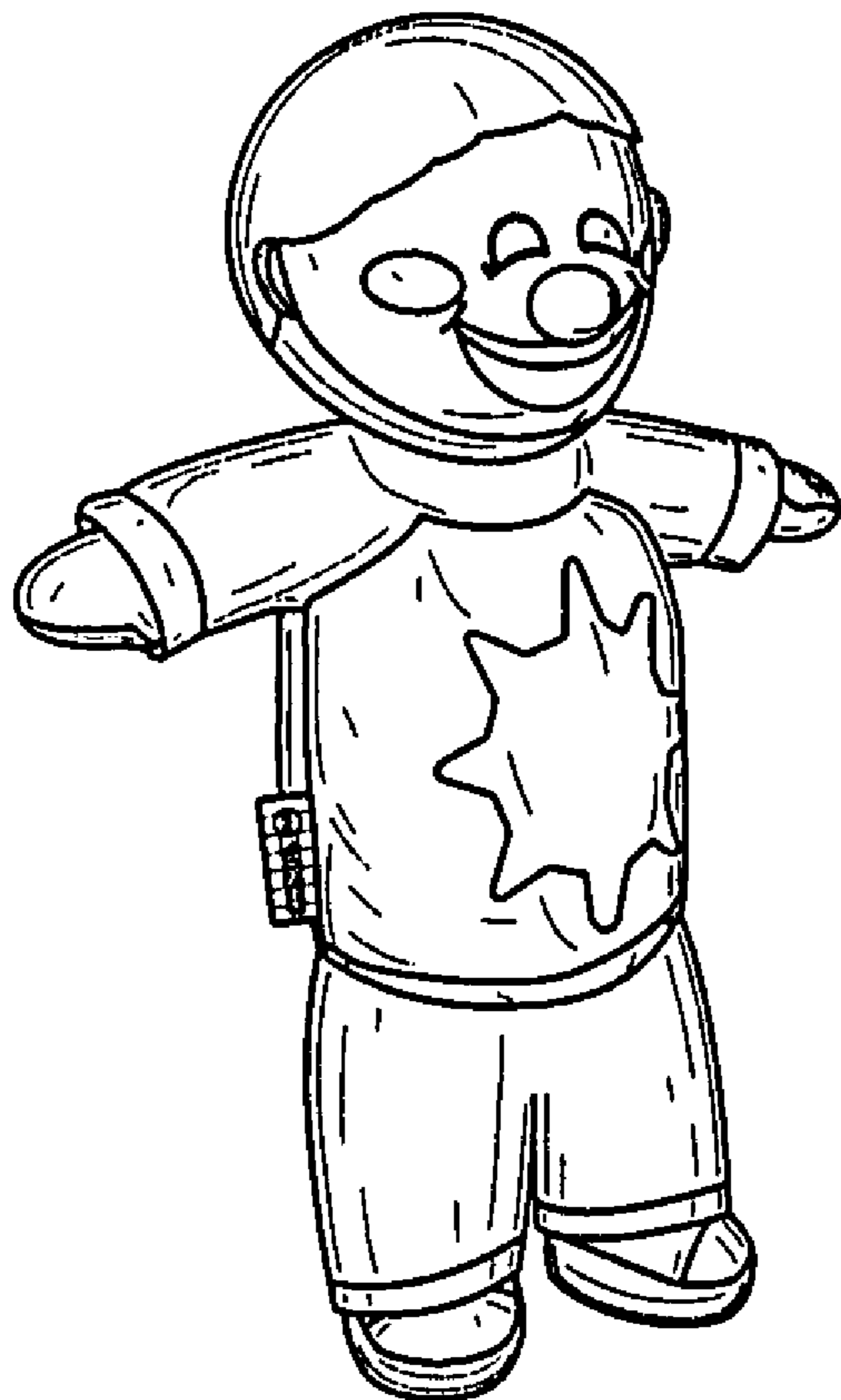
FIG. 2 is a right side elevational view thereof;

FIG. 3 is a left side elevational view thereof;

FIG. 4 is a front elevational view thereof; and,

FIG. 5 is a rear side elevational view thereof.

1 Claim, 1 Drawing Sheet



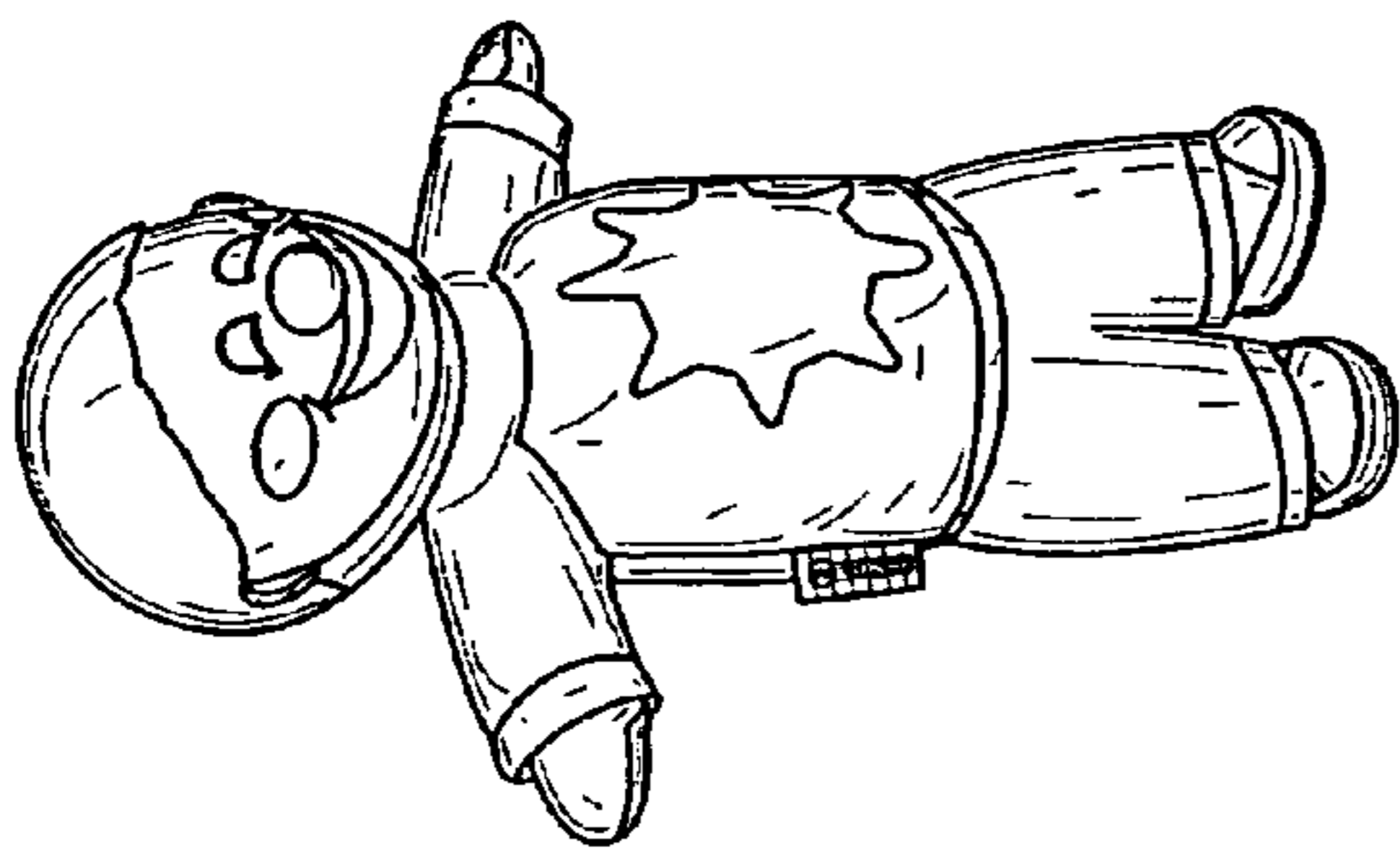


Fig.1

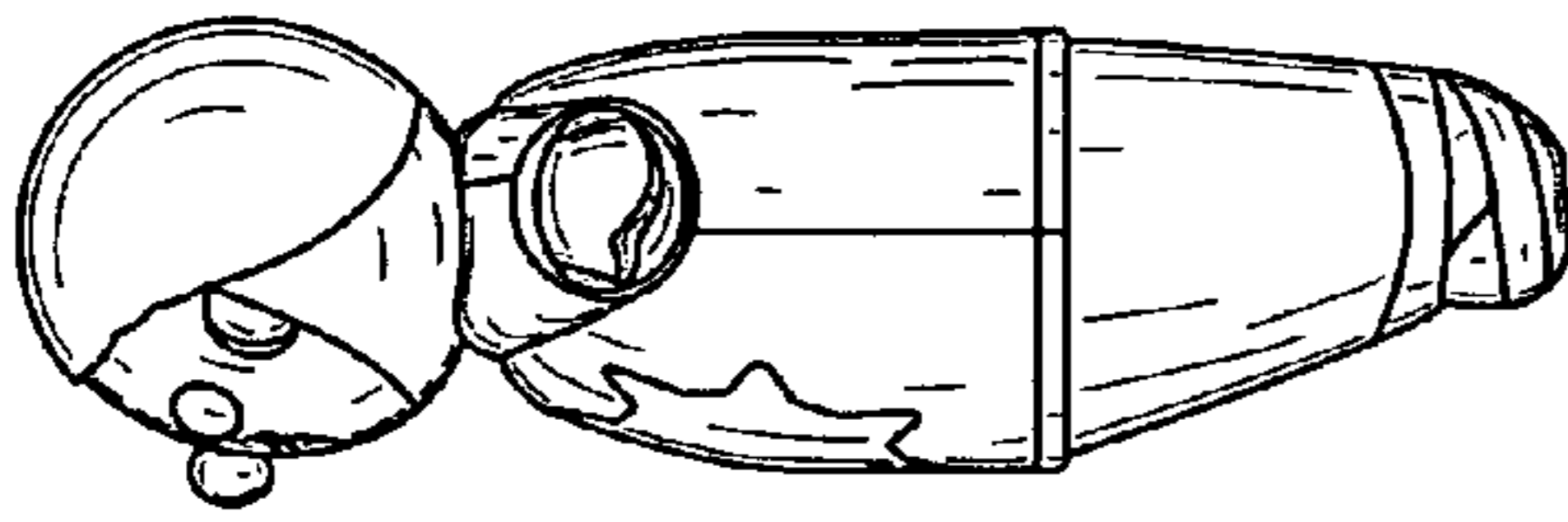


Fig.2

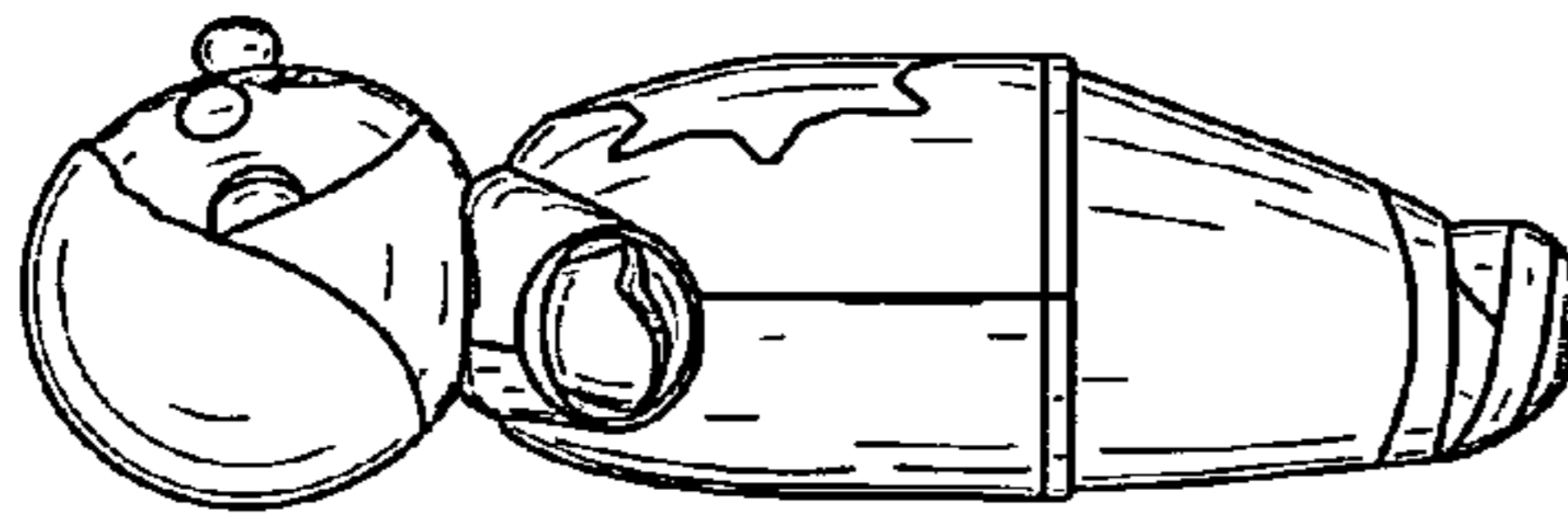


Fig.3

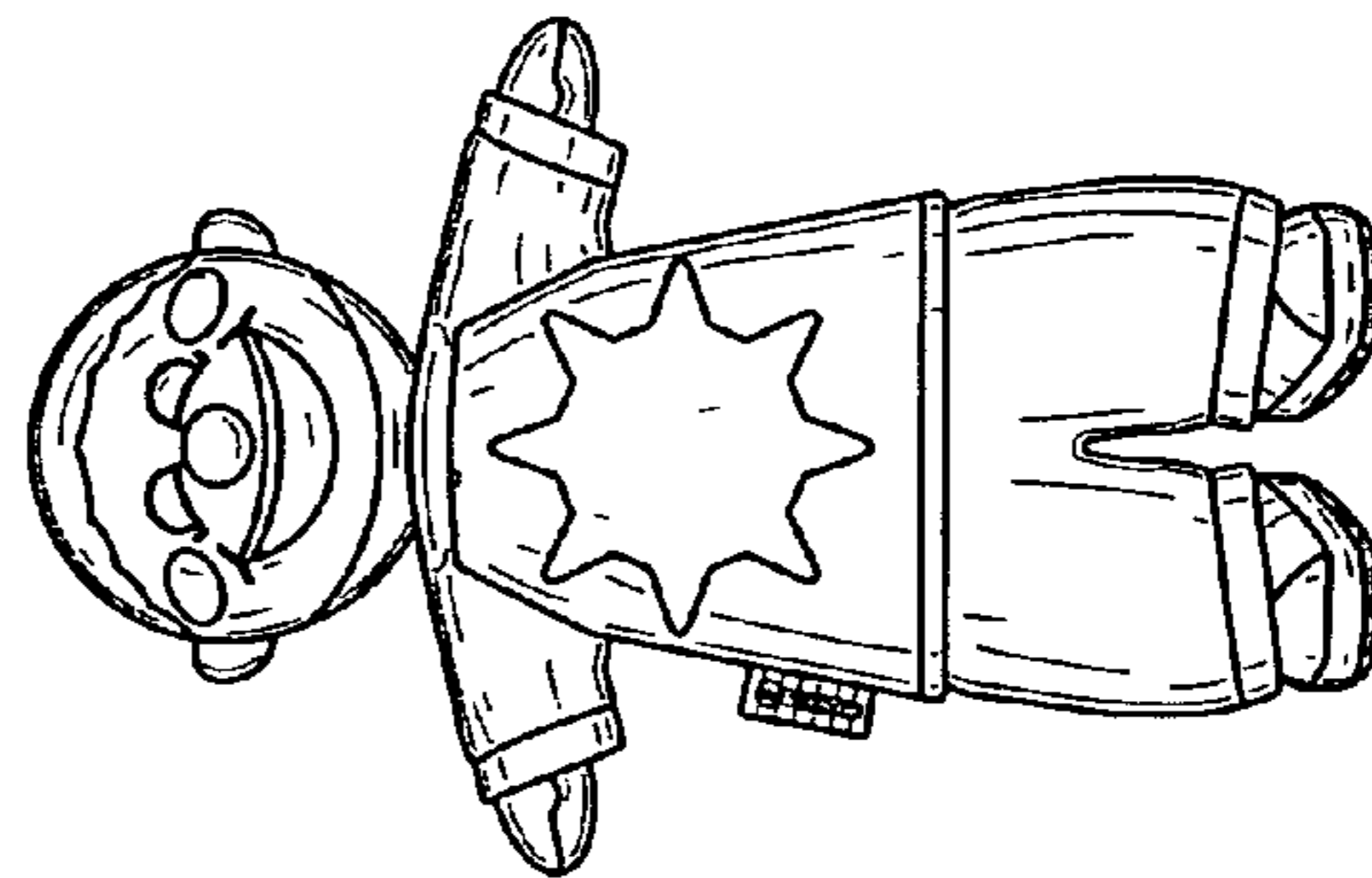


Fig.4

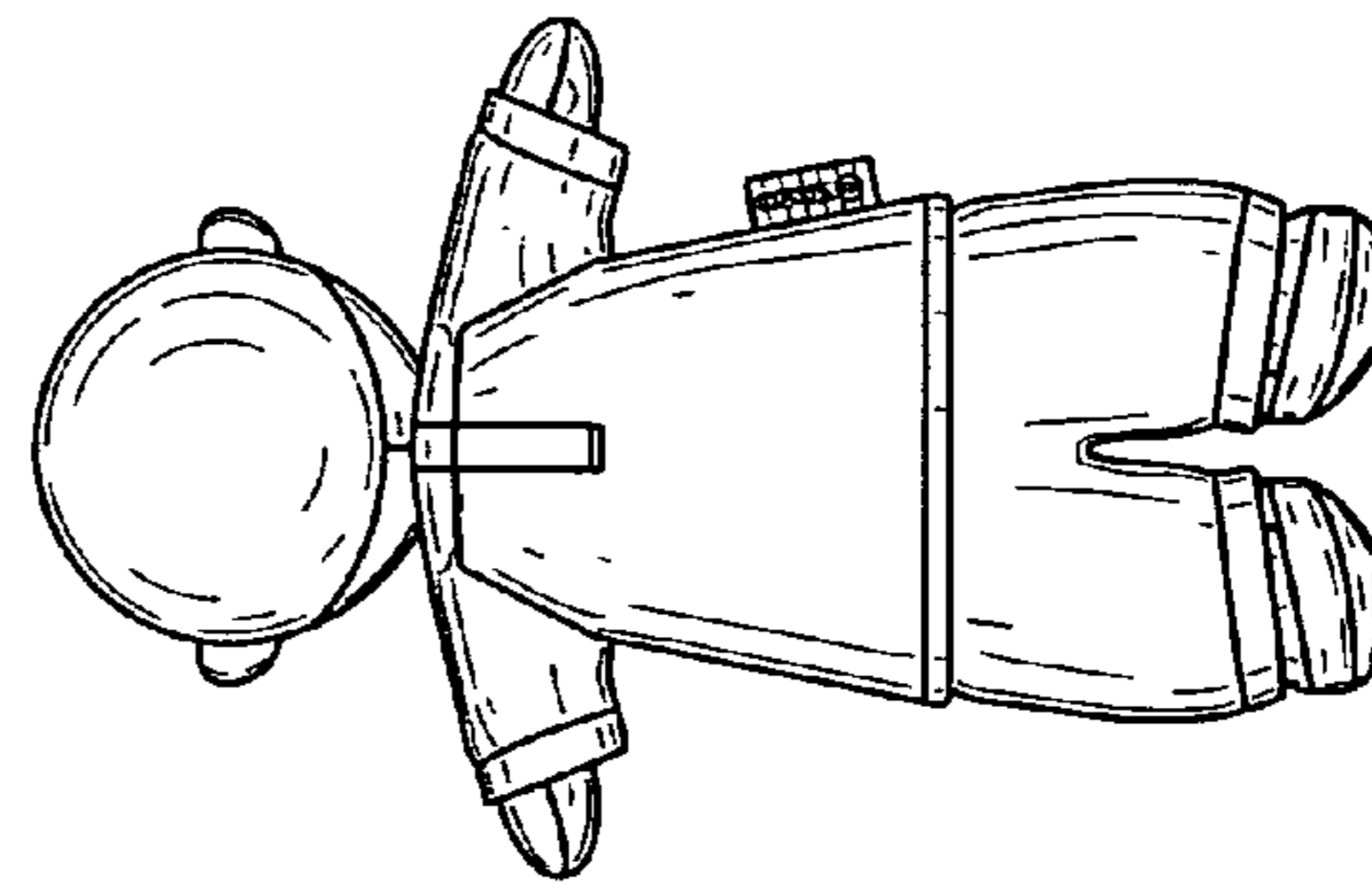


Fig.5