



US00D573666S

(12) **United States Design Patent**  
**Idiot**

(10) **Patent No.:** **US D573,666 S**  
(45) **Date of Patent:** **\*\* Jul. 22, 2008**

(54) **TRANSMITTER FOR RADIO CONTROLLED TOYS**

(75) Inventor: **Pak Chi Chun Idiot**, Chai Wan (HK)

(73) Assignee: **Unimax Toys Limited**, Kowloon (HK)

(\*\*) Term: **14 Years**

(21) Appl. No.: **29/279,212**

(22) Filed: **Apr. 23, 2007**

(51) **LOC (8) Cl.** ..... **21-01**

(52) **U.S. Cl.** ..... **D21/566**

(58) **Field of Classification Search** ..... D21/324,  
D21/333, 566; D14/400, 401, 454, 217,  
D14/218, 358, 155; D13/168; 446/454-456;  
463/6, 7, 37-39, 46, 47

See application file for complete search history.

(56) **References Cited**

**U.S. PATENT DOCUMENTS**

D411,265 S *	6/1999	Kanetsuna et al.	.....	D21/566
D464,684 S *	10/2002	Arai et al.	.....	D21/566
D481,080 S *	10/2003	Arai et al.	.....	D21/566
D524,382 S *	7/2006	Morita et al.	.....	D21/566
D525,320 S *	7/2006	Noguchi	.....	D21/566

\* cited by examiner

*Primary Examiner*—Holly H. Baynham

*Assistant Examiner*—Cynthia M. Chin

(74) *Attorney, Agent, or Firm*—Michael Best & Friedrich LLP

(57) **CLAIM**

The ornamental design for a transmitter for radio controlled toys, as shown.

**DESCRIPTION**

FIG. 1 is a perspective view of the transmitter for radio controlled toys;

FIG. 2 is a top plan view of the transmitter for radio controlled toys;

FIG. 3 is a bottom plan view of the transmitter for radio controlled toys;

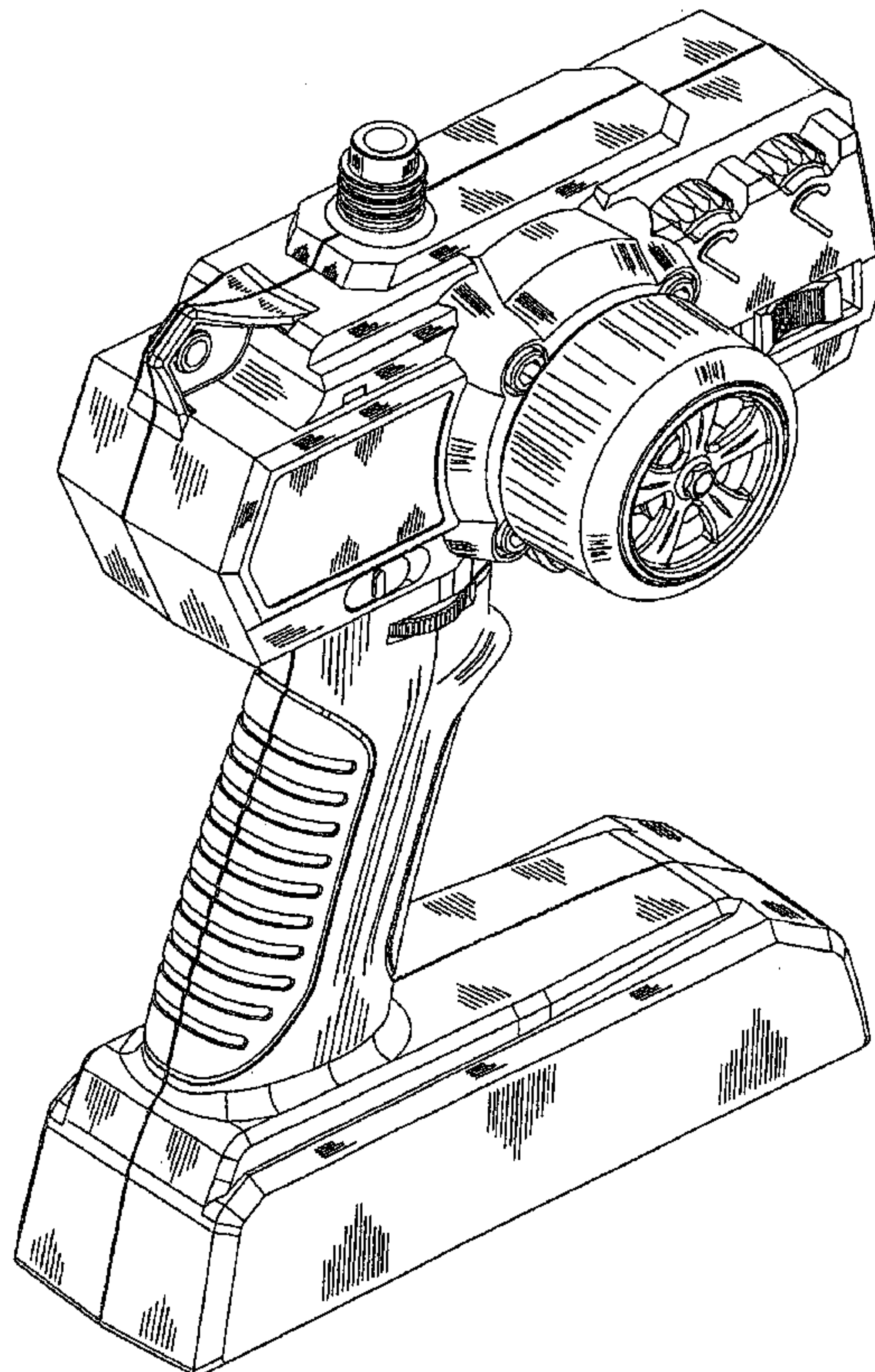
FIG. 4 is a left side elevation view of the transmitter for radio controlled toys;

FIG. 5 is a right side elevation view of the transmitter for radio controlled toys;

FIG. 6 is a front elevation view of the transmitter for radio controlled toys; and,

FIG. 7 is a back elevation view of the transmitter for radio controlled toys.

**1 Claim, 5 Drawing Sheets**



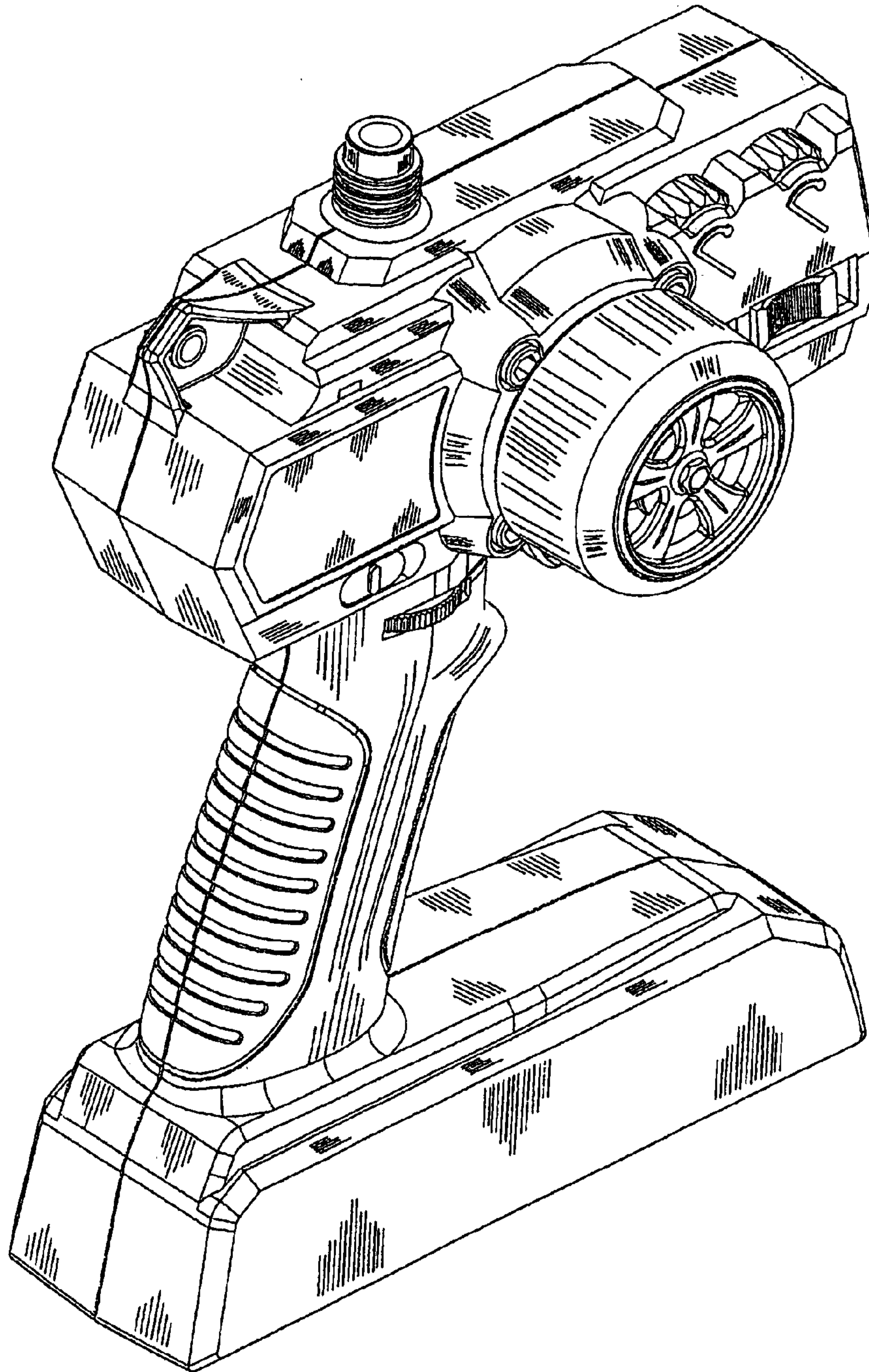


FIG. 1

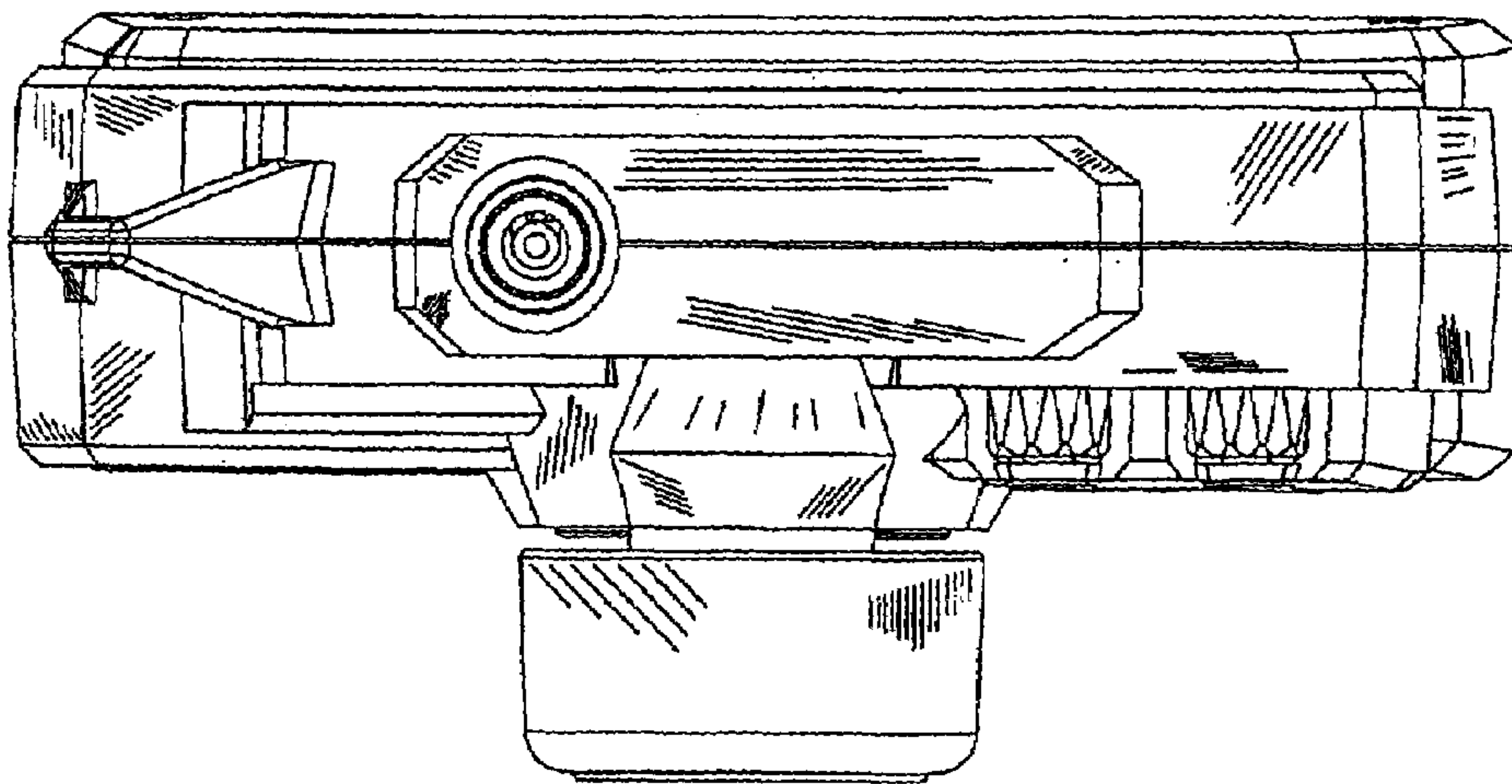


FIG. 2

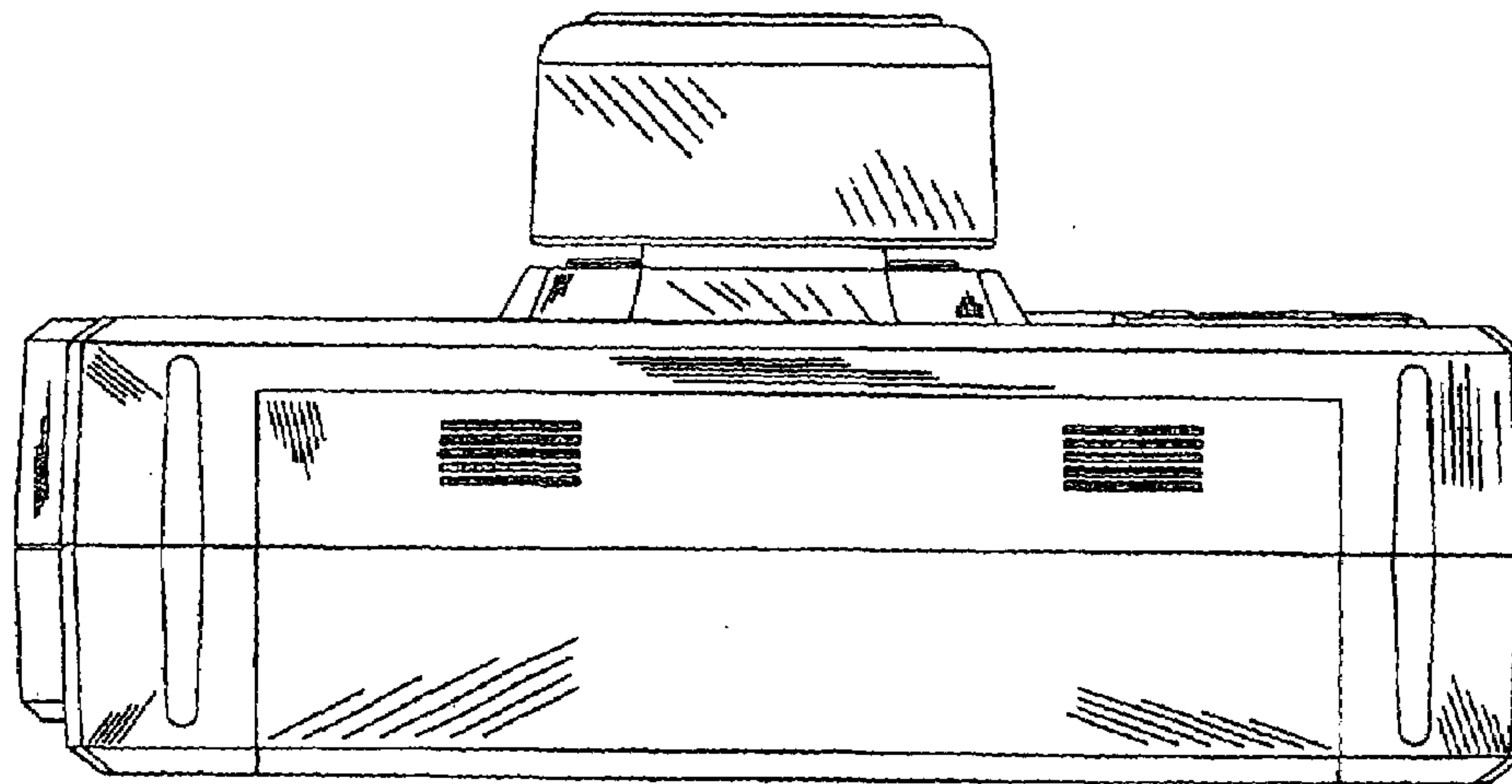


FIG. 3



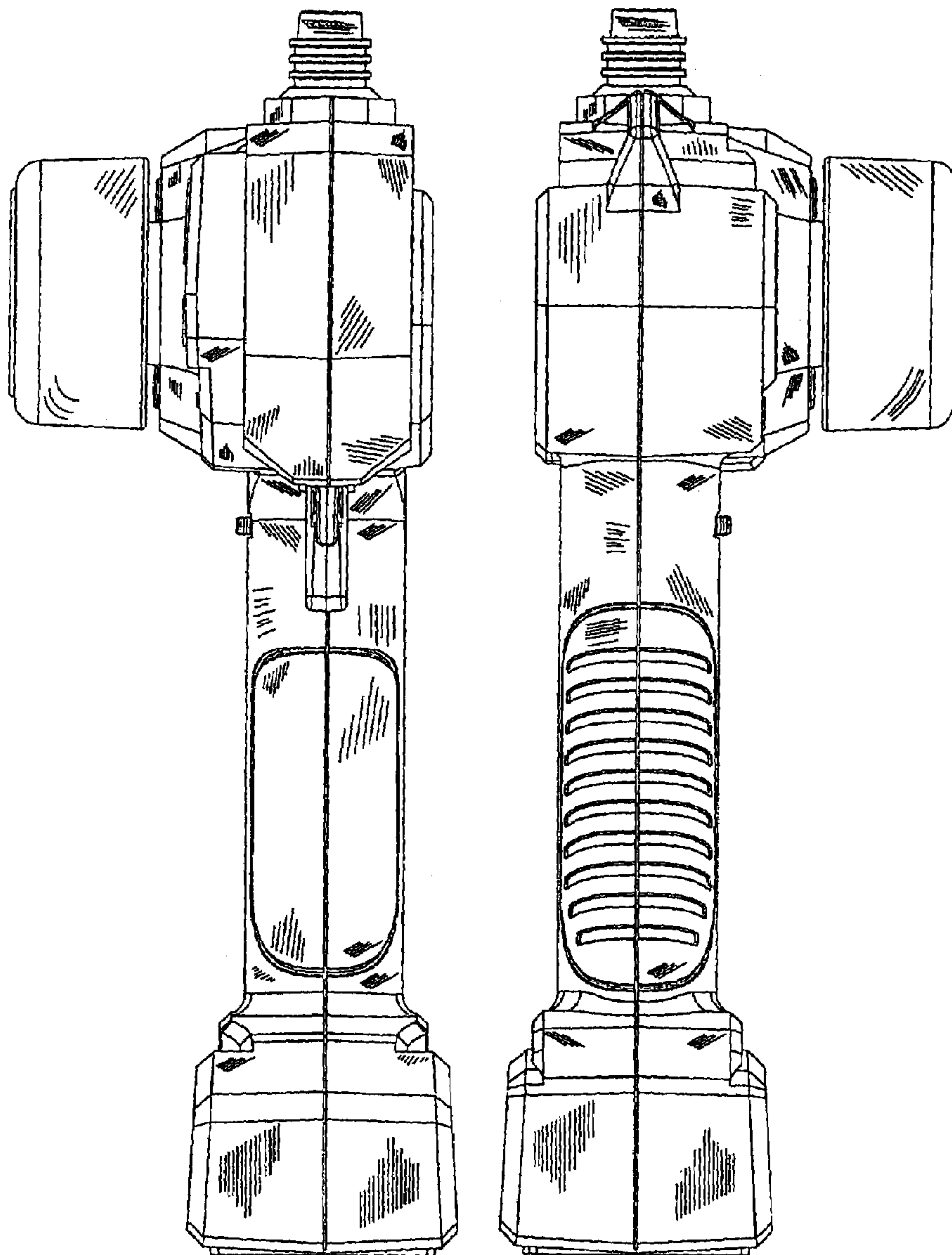


FIG. 4

FIG. 5

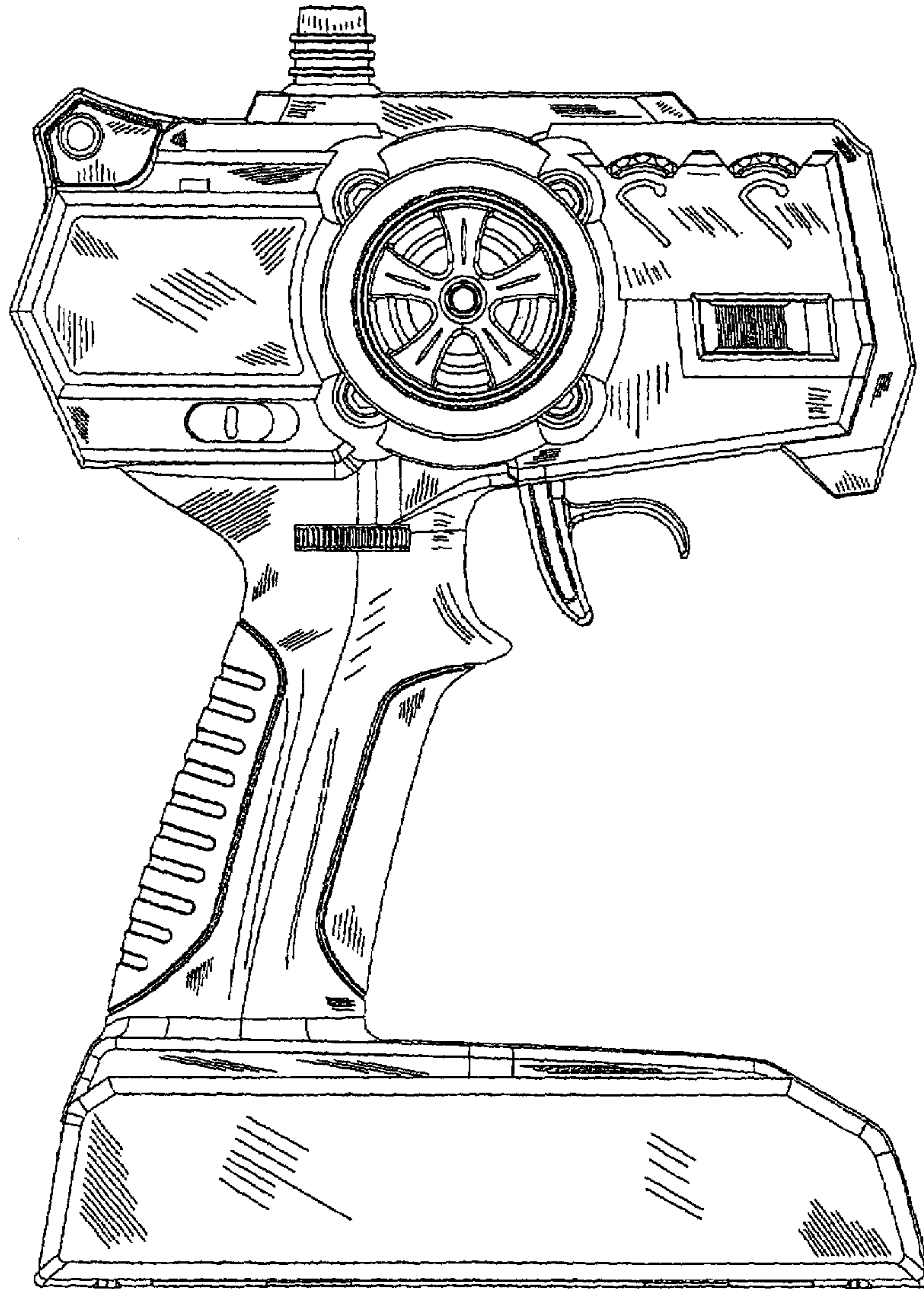


FIG. 6

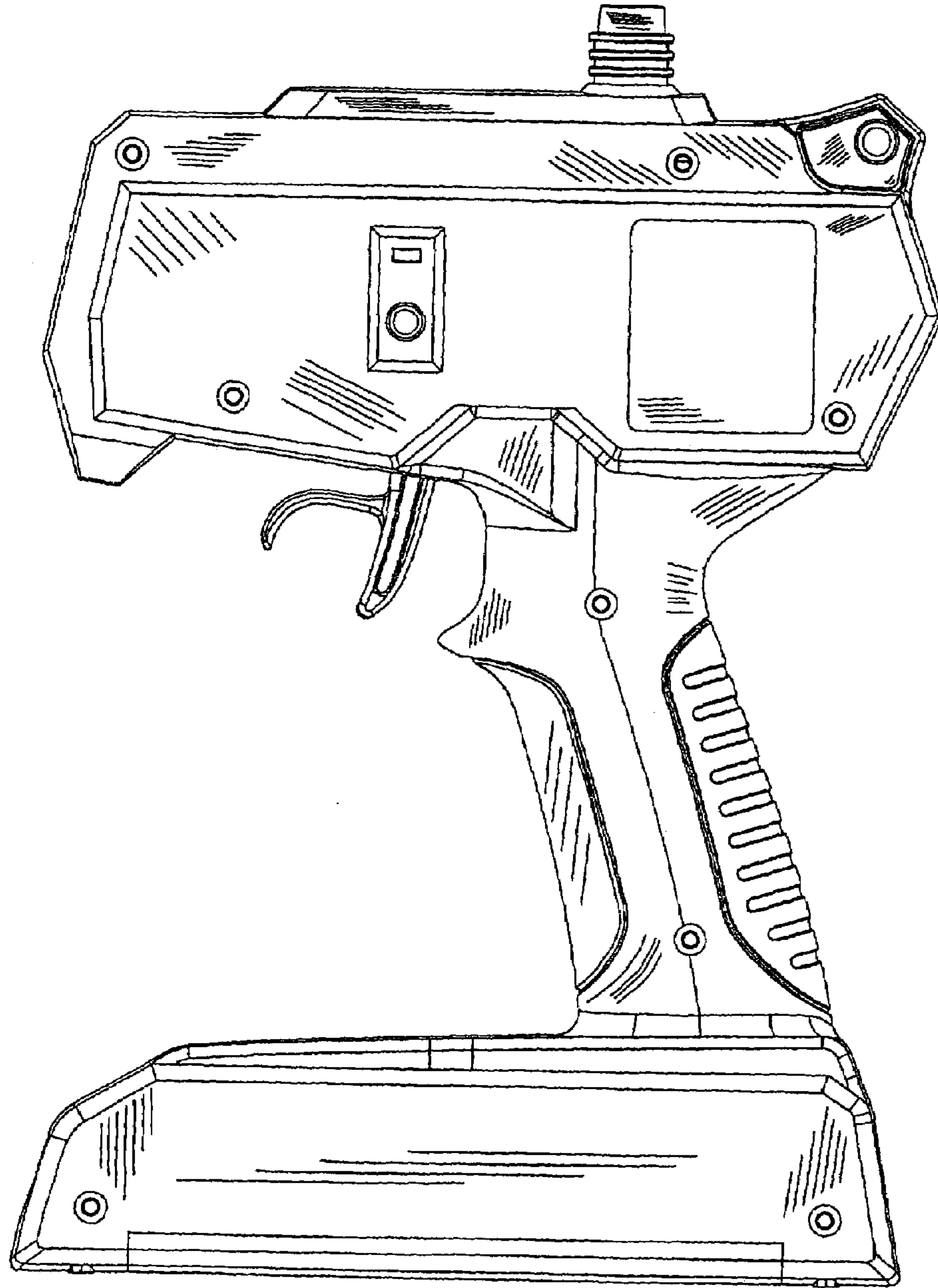


FIG. 7