



US00D573665S

(12) **United States Design Patent**
Horikoshi

(10) **Patent No.:** **US D573,665 S**
(45) **Date of Patent:** **** Jul. 22, 2008**

(54) **TRACK PIECE FOR TOY VEHICLES**

D266,937 S * 11/1982 Dahlgren D21/565
5,564,962 A * 10/1996 Navarrete Espinosa 446/128
6,601,774 B1 * 8/2003 Kasimoff 238/10 R

(75) Inventor: **Kenji Horikoshi**, Tokyo (JP)

* cited by examiner

(73) Assignees: **Tomy Company, Ltd.**, Tokyo (JP);
Tokyo Unique Co., Ltd., Tokyo (JP)

Primary Examiner—Holly H. Baynham

Assistant Examiner—Cynthia M Chin

(**) Term: **14 Years**

(74) *Attorney, Agent, or Firm*—Staas & Halsey LLP

(21) Appl. No.: **29/292,782**

(57) **CLAIM**

(22) Filed: **Oct. 29, 2007**

The ornamental design for a track piece for toy vehicles, as shown.

(30) **Foreign Application Priority Data**

DESCRIPTION

Jun. 11, 2007 (JP) 2007-15418

(51) **LOC (8) Cl.** **21-01**

FIG. 1 is a front right perspective view of the track piece for toy vehicles showing my design;

(52) **U.S. Cl.** **D21/565**

FIG. 2 is a top view thereof;

(58) **Field of Classification Search** D21/564,
D21/565; 446/168–174, 84, 89, 108, 112,
446/114, 116, 124–128; 463/58–69; 238/10 R,
238/10 A–10 C, 10 F

FIG. 3 is a left side view thereof;

FIG. 4 is a right side thereof;

See application file for complete search history.

FIG. 5 is a front view thereof;

FIG. 6 is a rear view thereof;

(56) **References Cited**

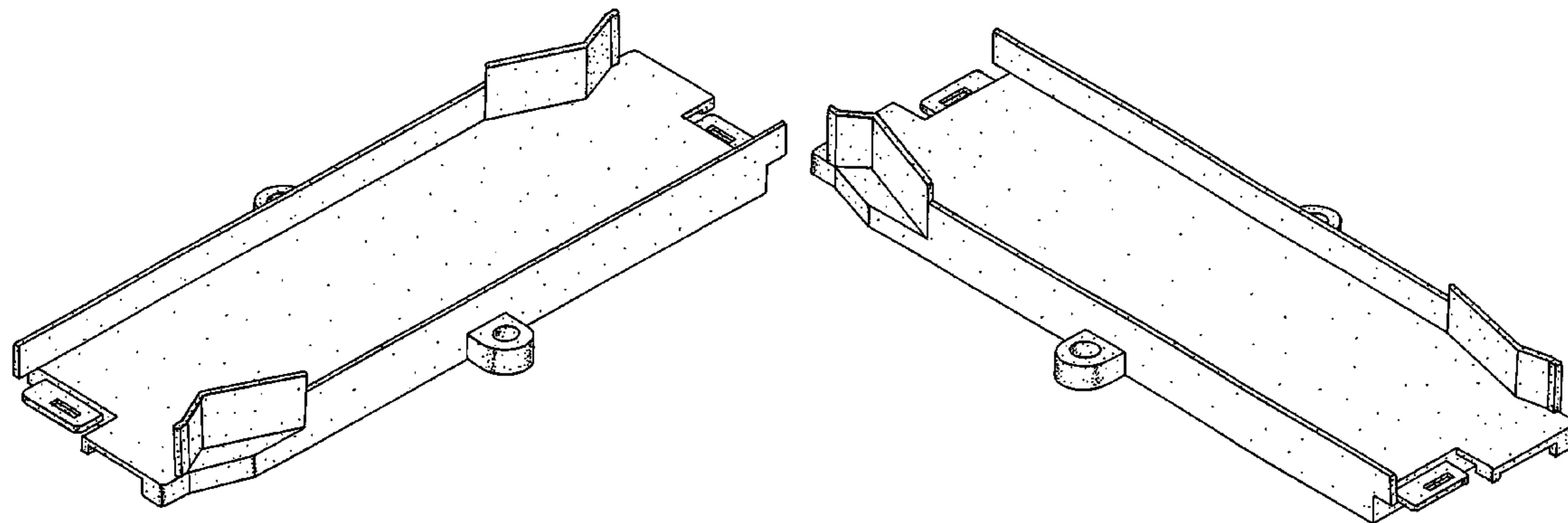
U.S. PATENT DOCUMENTS

FIG. 7 is a bottom view thereof; and,

FIG. 8 is a front left perspective view.

D222,493 S * 10/1971 Raymond D21/565
3,734,404 A * 5/1973 Baynes et al. 238/10 E

1 Claim, 5 Drawing Sheets



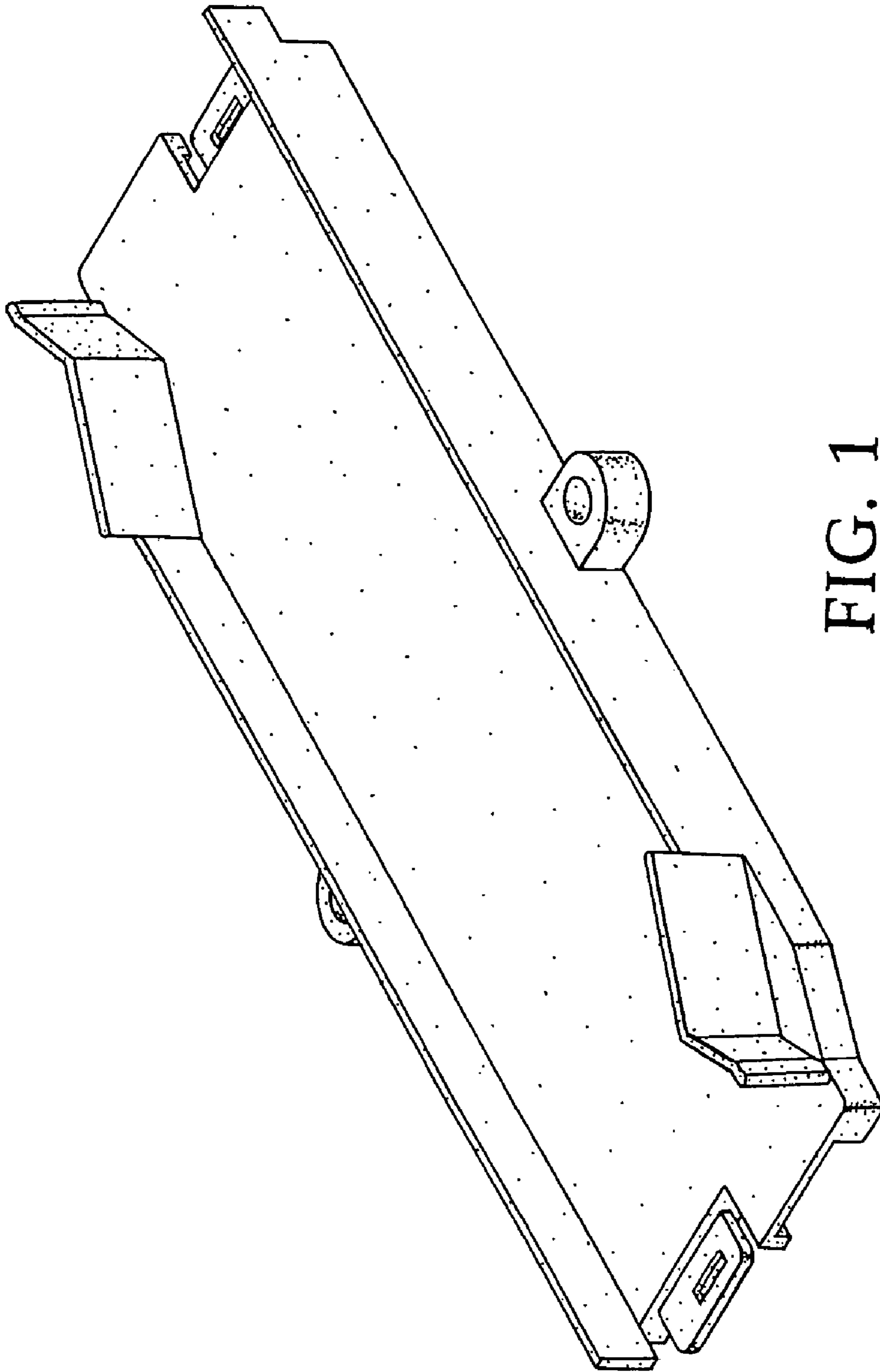


FIG. 1

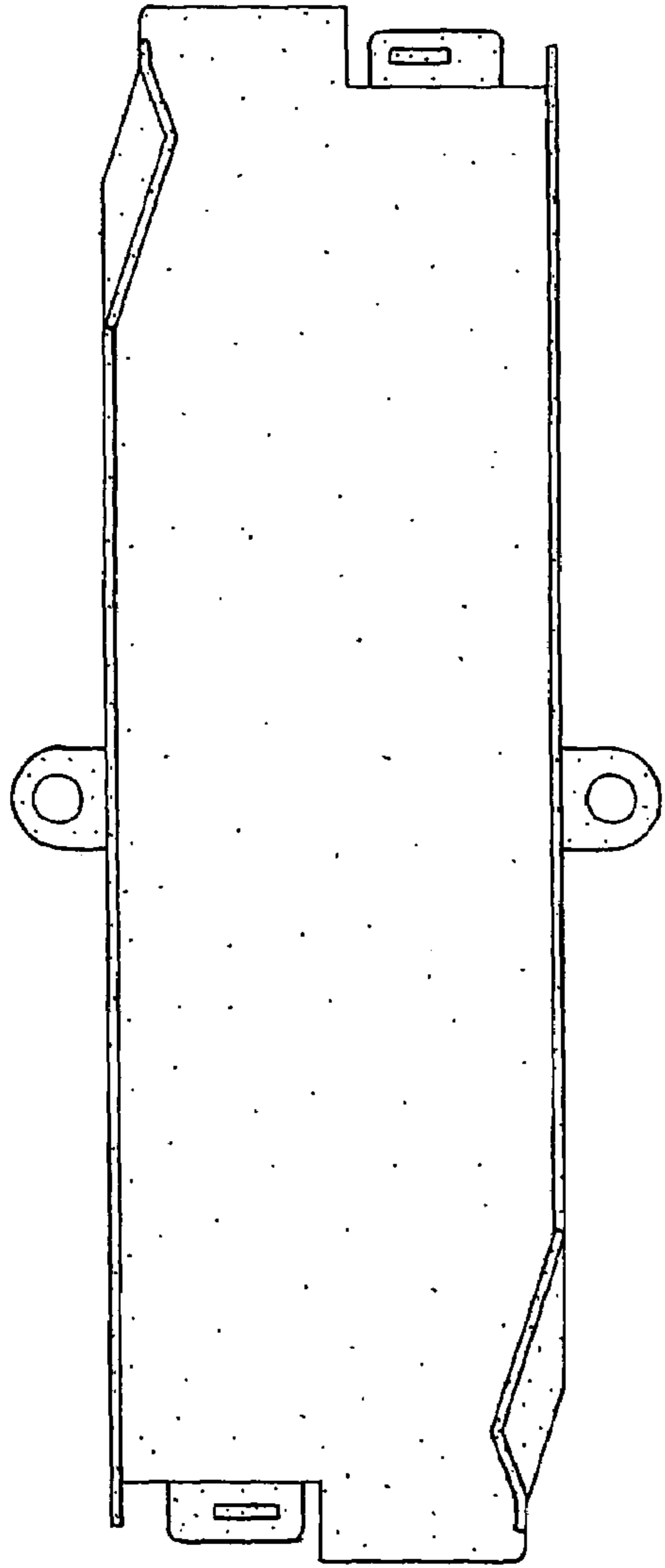


FIG. 2



FIG. 3



FIG. 4

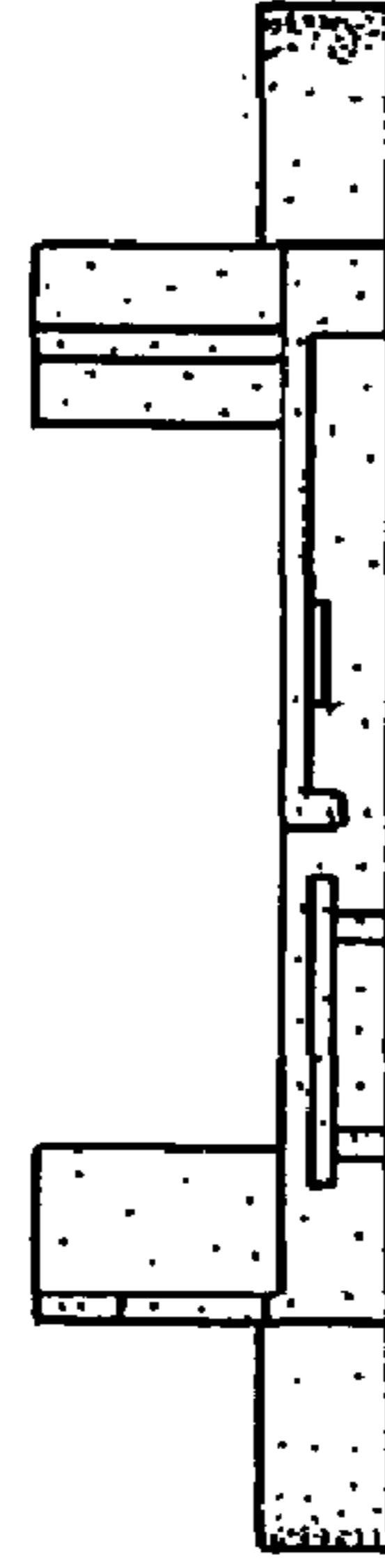


FIG. 5

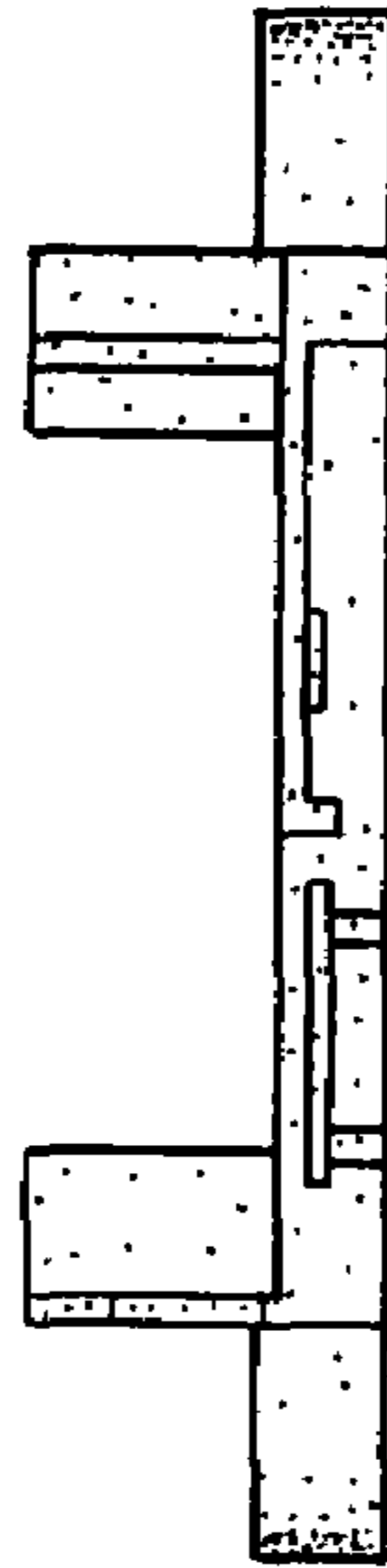


FIG. 6

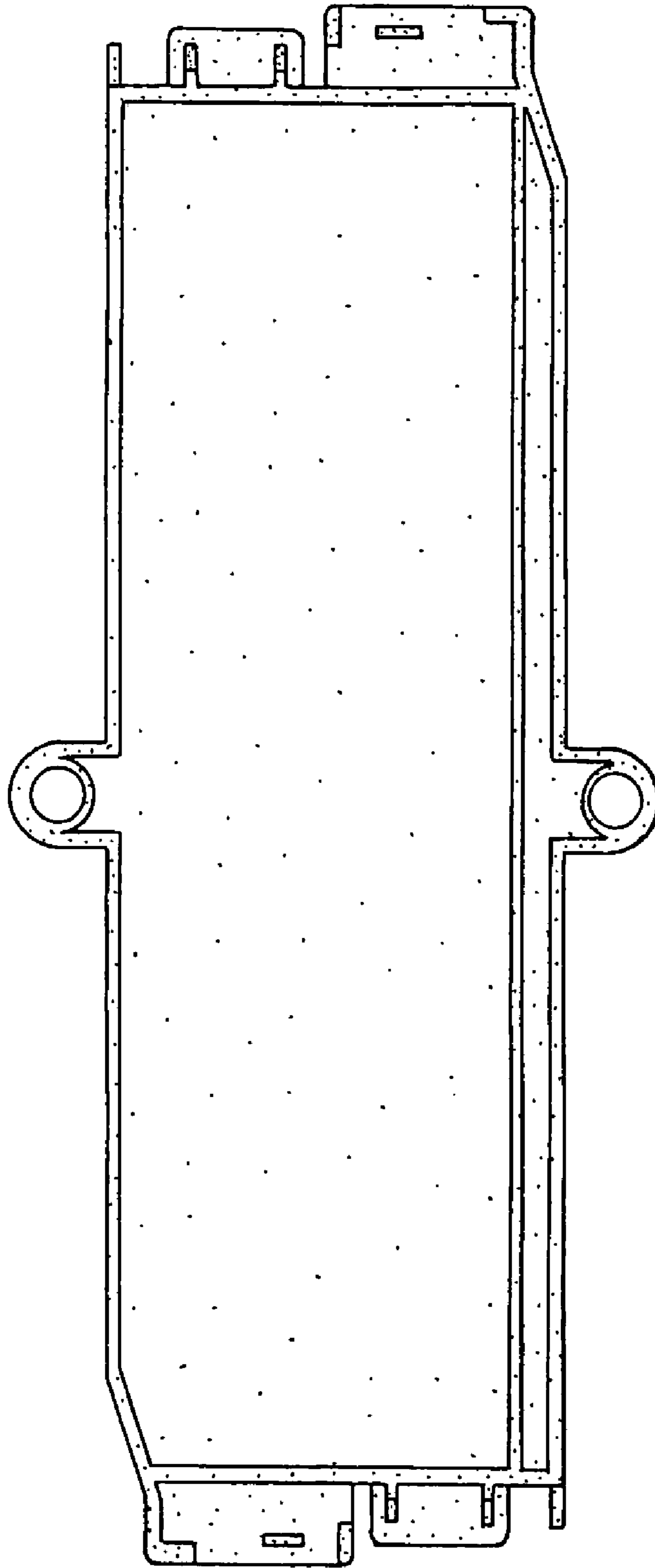


FIG. 7

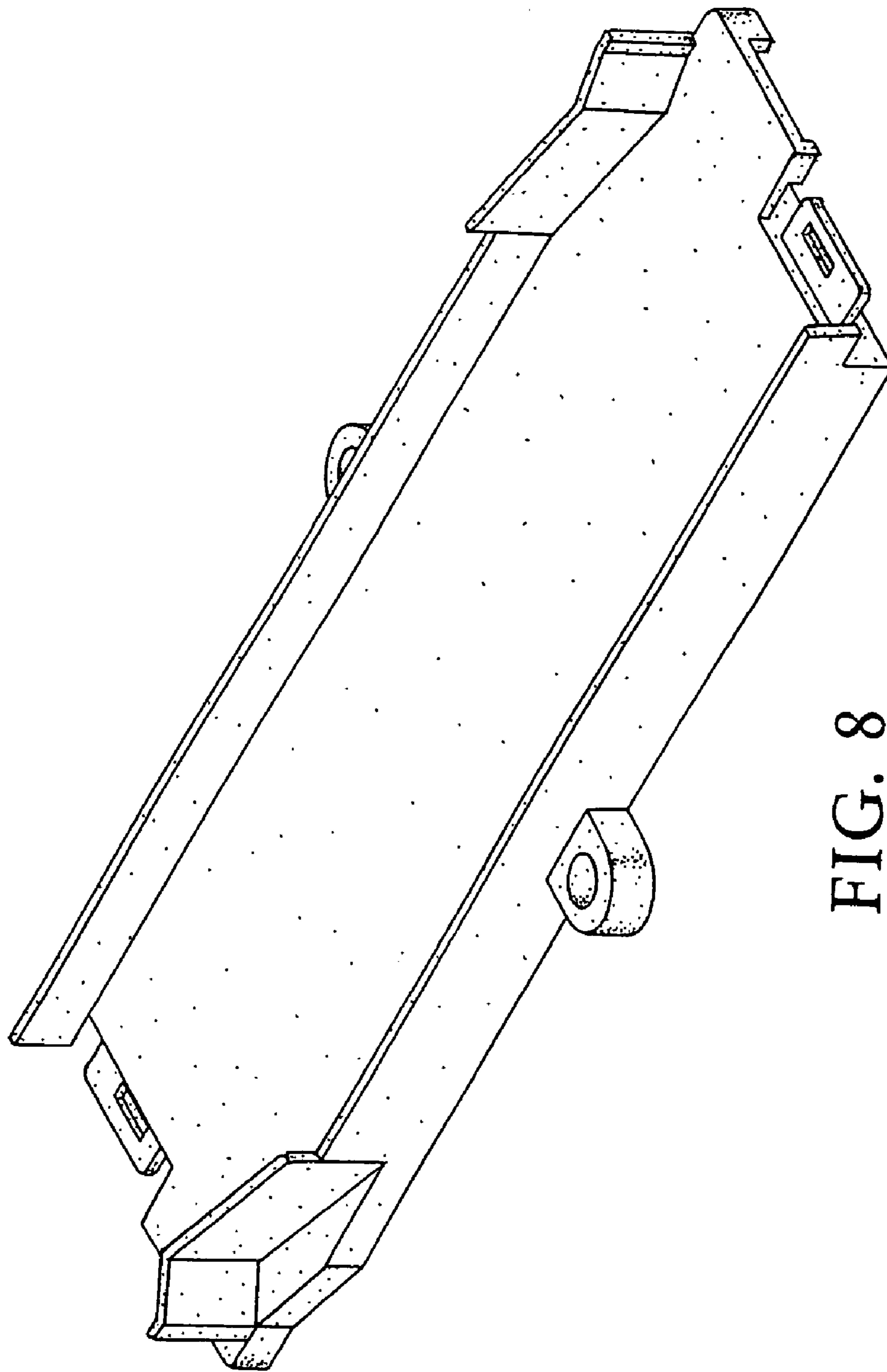


FIG. 8