



US00D573663S

(12) **United States Design Patent**
Ogawa

(10) **Patent No.:** **US D573,663 S**

(45) **Date of Patent:** **** Jul. 22, 2008**

(54) **COLLAPSIBLE WAGON**

(76) Inventor: **Kazumi Ogawa**, 6524 Dume Dr.,
Malibu, CA (US) 90265

(**) Term: **14 Years**

(21) Appl. No.: **29/295,373**

(22) Filed: **Sep. 27, 2007**

(51) **LOC (8) Cl.** **21-01**

(52) **U.S. Cl.** **D21/425**

(58) **Field of Classification Search** D21/419,
D21/424-426, 534-536; D12/17, 19, 20,
D12/129, 102, 105; 280/87.01, 87.021, 87.043,
280/47.17, 47.25, 47.34, 47.38, 47.4, 204,
280/651; 446/465

See application file for complete search history.

(56) **References Cited**

U.S. PATENT DOCUMENTS

2,294,564	A *	9/1942	Leber	296/66
D268,202	S *	3/1983	Corl	D21/536
D345,768	S *	4/1994	Bro et al.	D21/425
D372,942	S *	8/1996	Fish, Jr.	D21/536
5,669,617	A *	9/1997	Pasin et al.	280/87.01
D389,877	S *	1/1998	Pasin	D21/425
D458,648	S *	6/2002	Chiappetta et al.	D21/425
6,871,863	B2 *	3/2005	Michelau	280/87.01

* cited by examiner

Primary Examiner—Holly H. Baynham

Assistant Examiner—Cynthia M Chin

(74) *Attorney, Agent, or Firm*—QuickPatents, Inc.; Kevin Prince

(57) **CLAIM**

I claim the ornamental design for a collapsible wagon, as shown and described.

DESCRIPTION

FIG. 1 is a perspective view of a collapsible wagon in an assembled configuration, showing my new design with a portion of the handle shown broken away for the ease of illustration;

FIG. 2 is a front elevational view of the invention in the assembled configuration;

FIG. 3 is a rear elevational view of the invention in the assembled configuration;

FIG. 4 is a right-side elevational view of the invention in the assembled configuration, the left-side elevational view being a mirror image thereof;

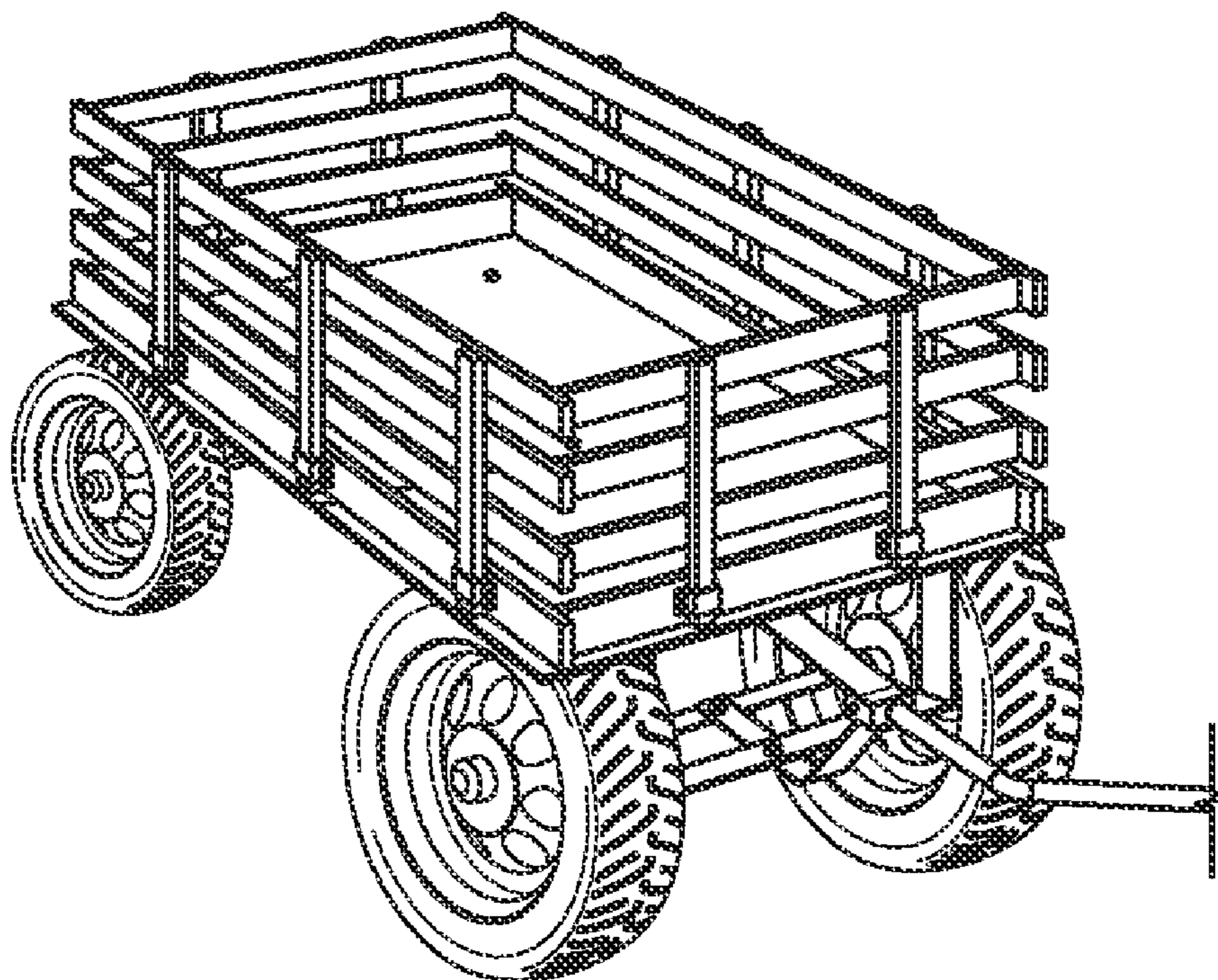
FIG. 5 is a top plan view of the invention in the assembled configuration;

FIG. 6 is a bottom plan view of the invention in the assembled configuration;

FIG. 7 is an exploded right-side elevational view of the invention; and,

FIG. 8 is an exploded perspective view of the invention with a portion of the handle shown broken away for the ease of illustration.

1 Claim, 3 Drawing Sheets



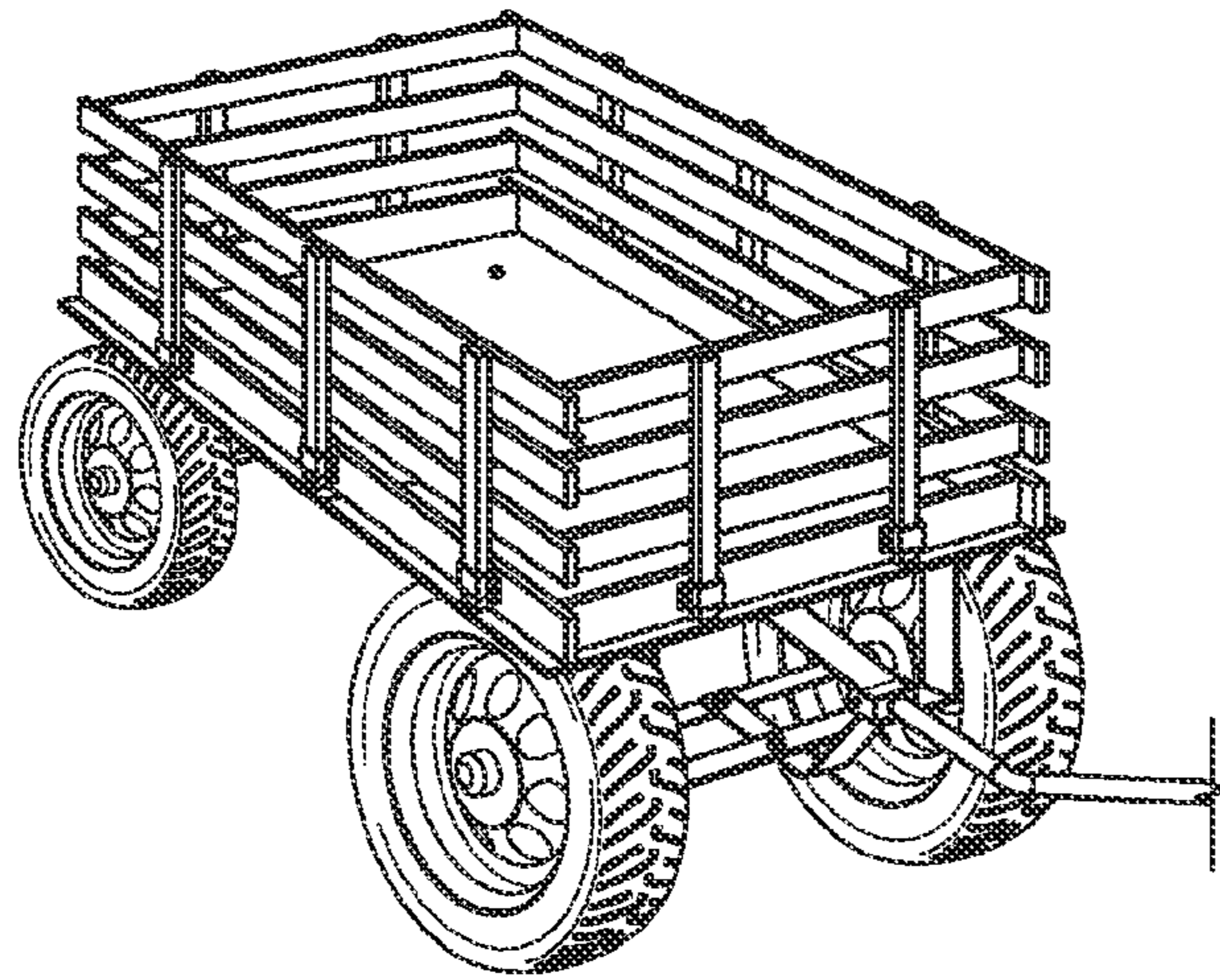


FIG. 1

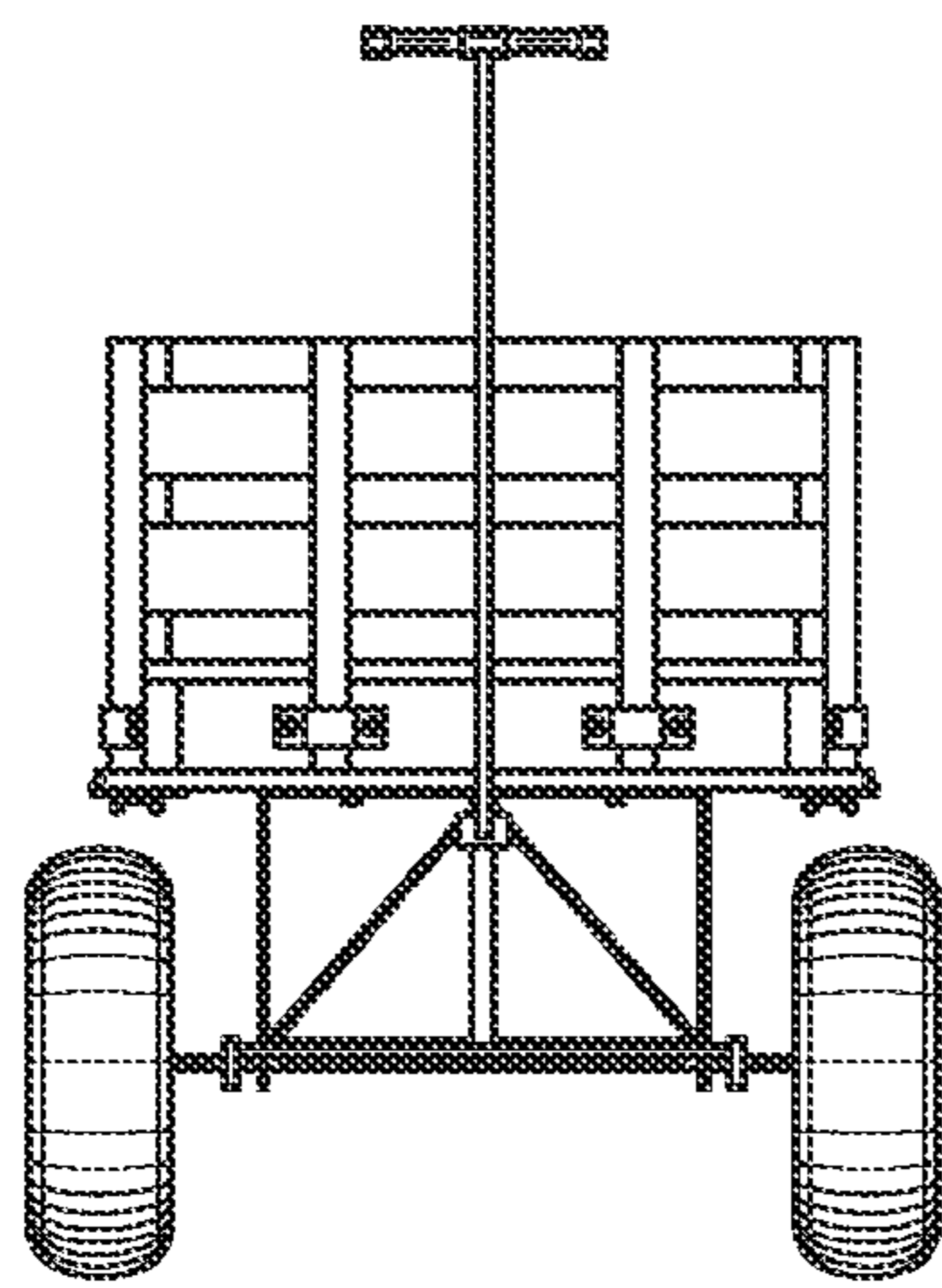


FIG. 2

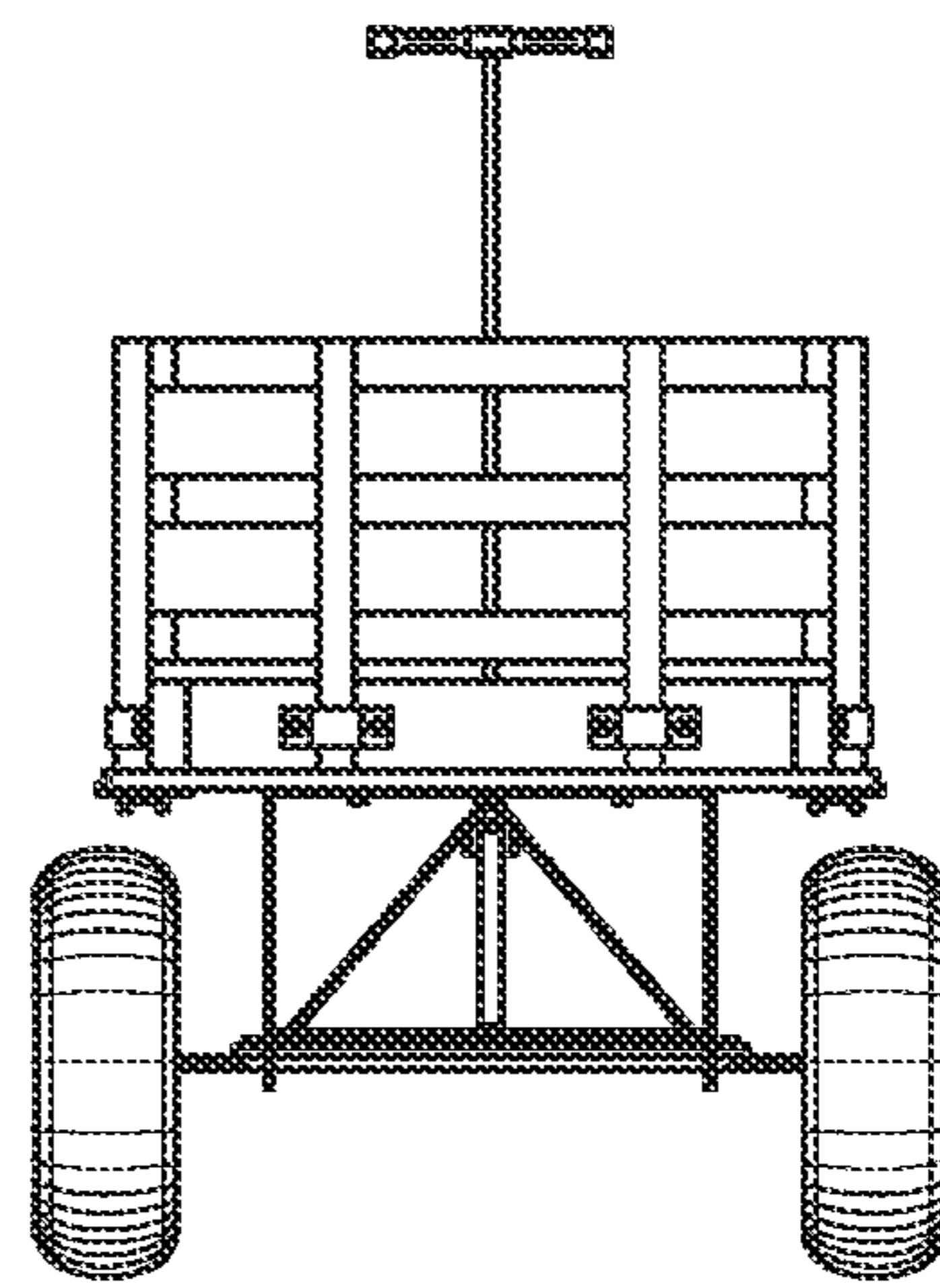


FIG. 3

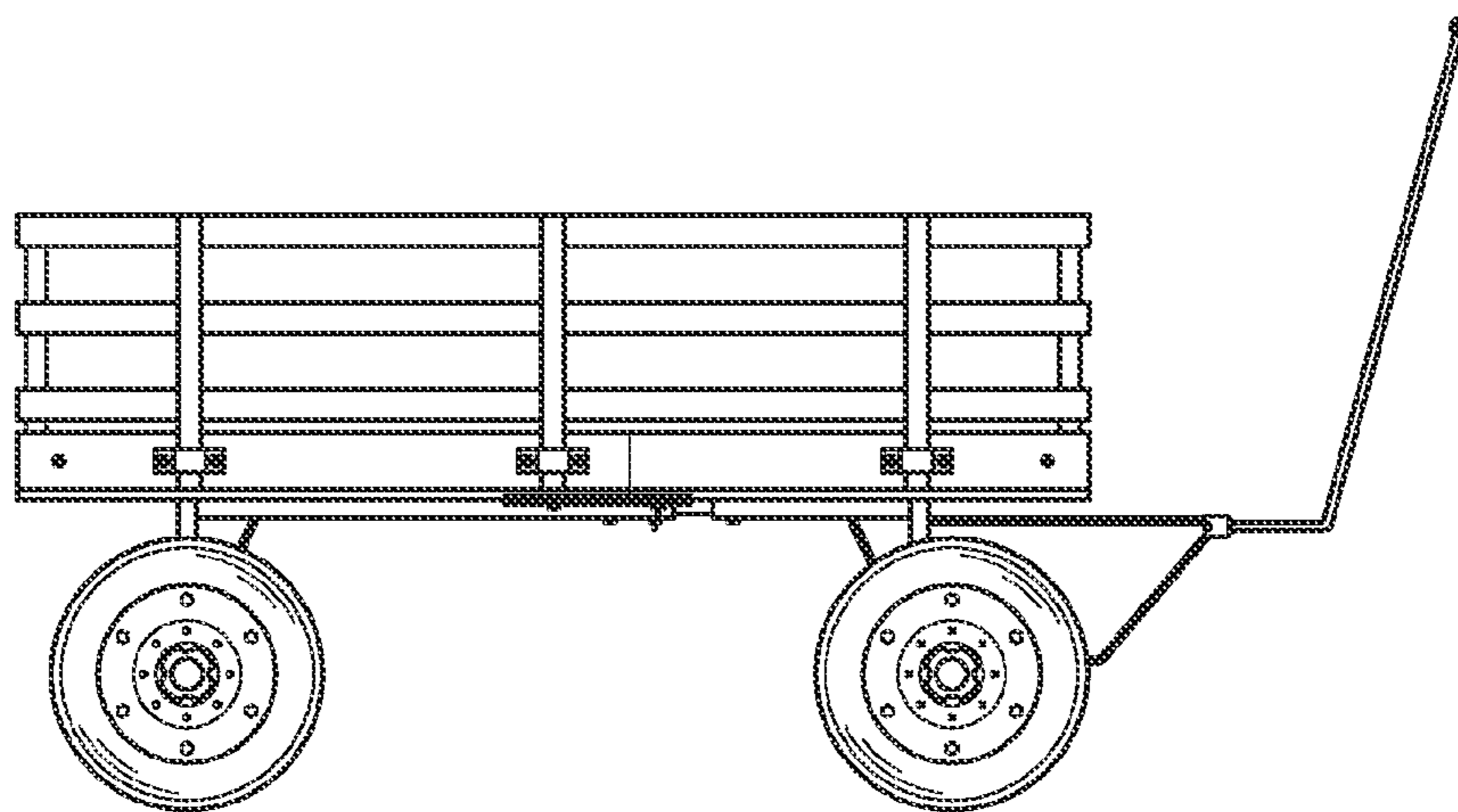


FIG. 4

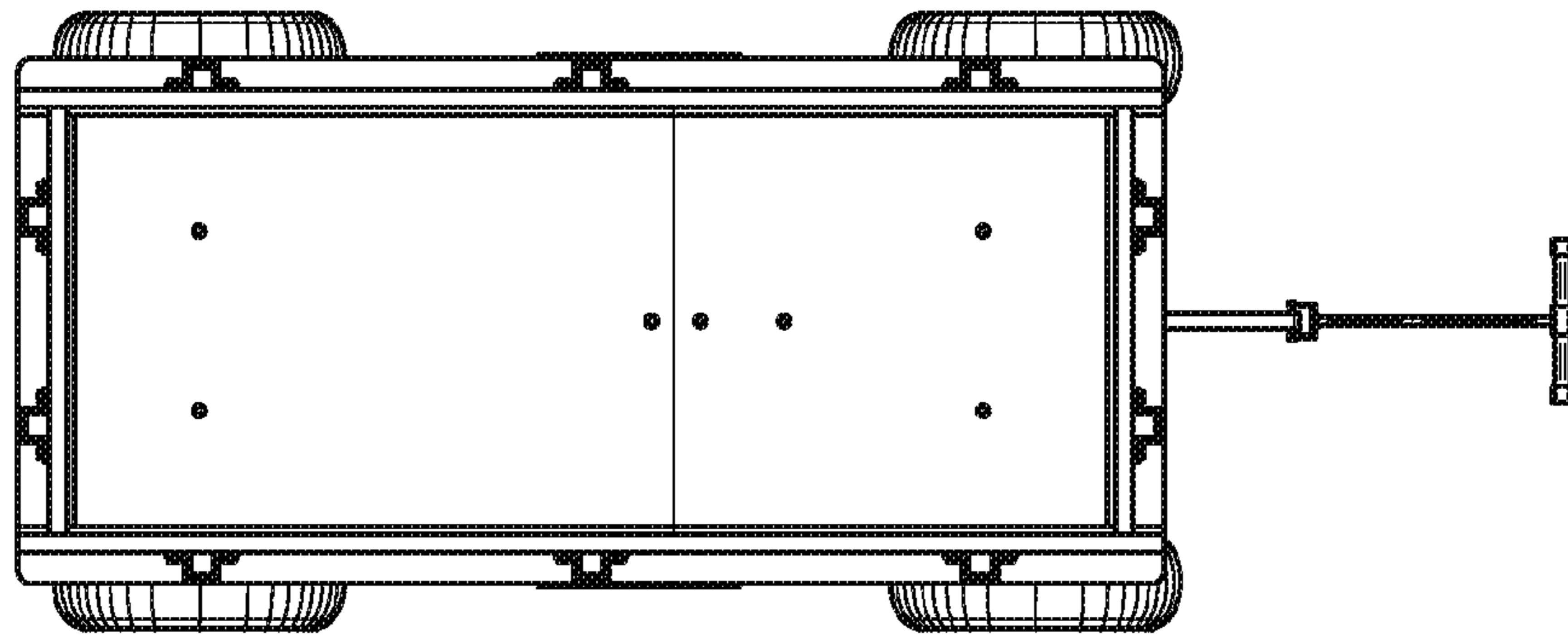


FIG. 5

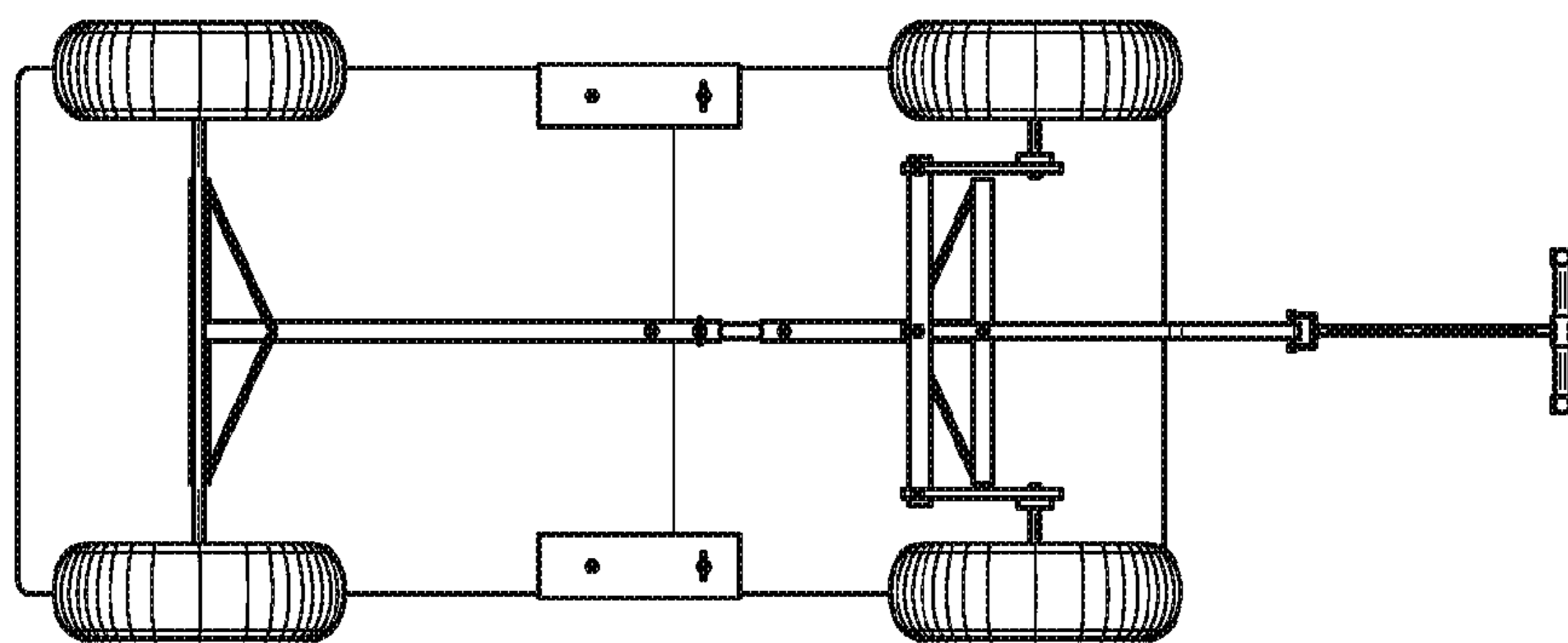


FIG. 6

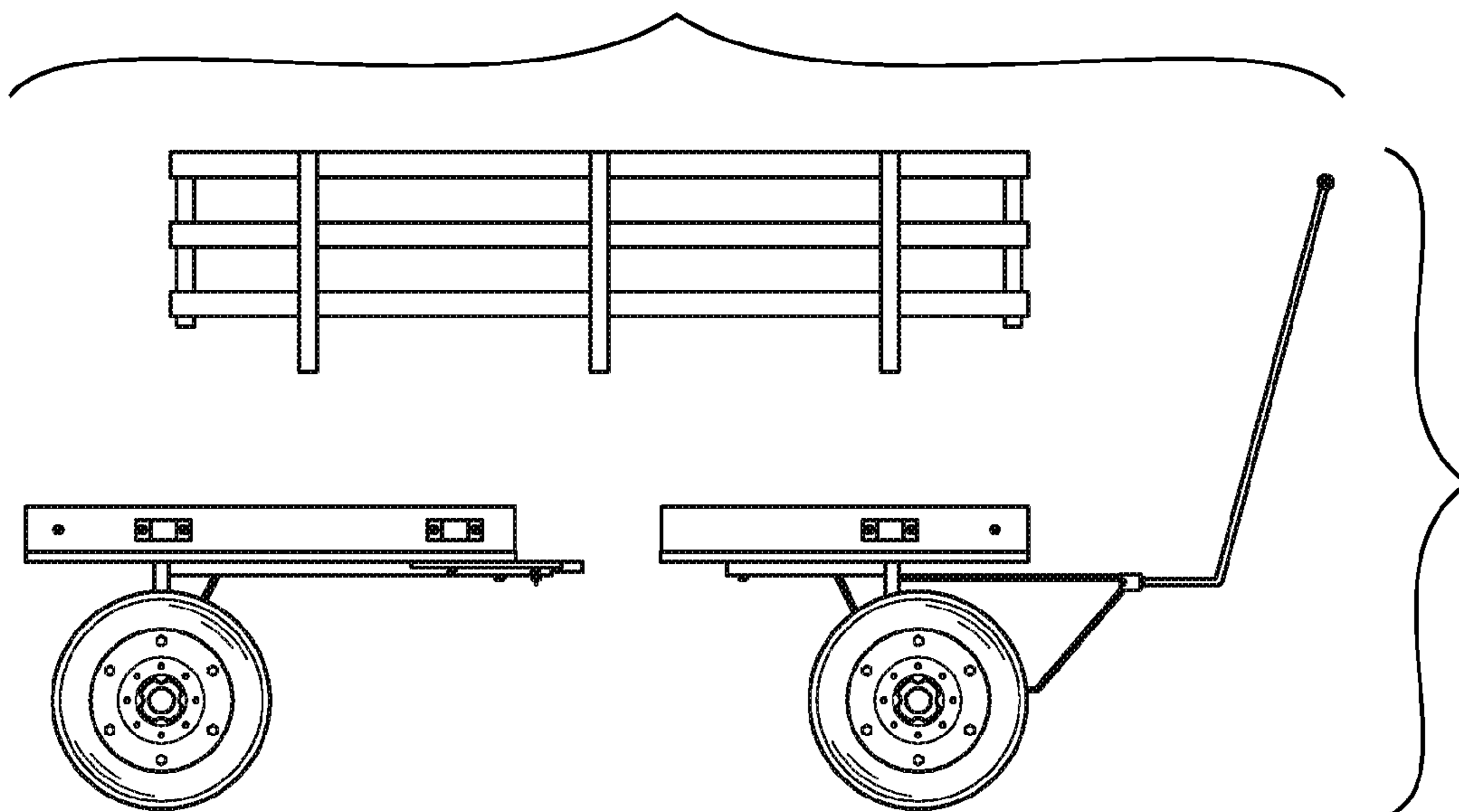


FIG. 7

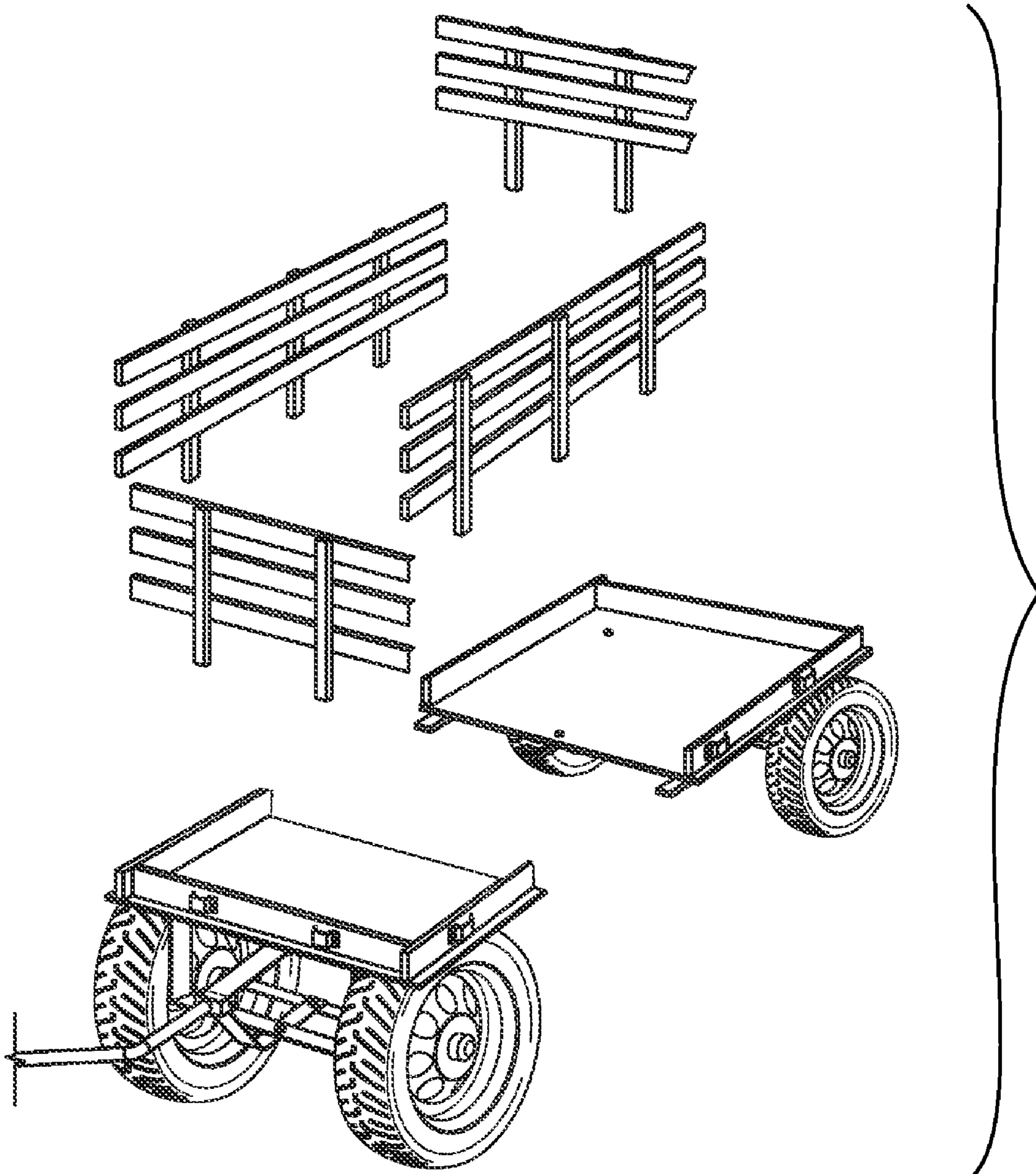


FIG. 8