



US00D573658S

(12) **United States Design Patent**  
**Ichimura et al.**

(10) **Patent No.:** **US D573,658 S**  
(45) **Date of Patent:** **\*\* Jul. 22, 2008**

(54) **ARCADE VIDEO GAME MACHINE**

(75) Inventors: **Ryutaro Ichimura**, Kanagawa (JP);  
**Takeshi Fujikawa**, Kanagawa (JP); **Kei Shirai**, Tokyo (JP)

(73) Assignee: **Kabushiki Kaisha Square Enix**, Tokyo (JP)

(\*\*) Term: **14 Years**

(21) Appl. No.: **29/280,738**

(22) Filed: **Jun. 6, 2007**

(30) **Foreign Application Priority Data**

Dec. 8, 2006 (JP) ..... 2006-033920

(51) **LOC (8) Cl.** ..... **21-01**

(52) **U.S. Cl.** ..... **D21/325; D21/369; D21/333**

(58) **Field of Classification Search** ..... D21/324–330,  
D21/369–375, 333; 273/148 B, 148 R, 138.1,  
273/139, 138.2, 148 A; 463/1, 7, 46, 16–22,  
463/47, 29–35; 345/905

See application file for complete search history.

(56) **References Cited**

**U.S. PATENT DOCUMENTS**

D280,748 S \* 9/1985 Jansons et al. .... D21/325  
4,643,421 A \* 2/1987 Meyer et al. .... 463/1  
D413,936 S \* 9/1999 Uehara ..... D21/327  
6,410,835 B2 \* 6/2002 Suzuki et al. .... 84/464 R  
D463,502 S \* 9/2002 Ishii et al. .... D21/325  
6,461,239 B1 \* 10/2002 Sagawa et al. .... 463/7  
D465,243 S \* 11/2002 Isetani et al. .... D21/325  
6,508,707 B2 \* 1/2003 DeMar et al. .... 463/16  
D472,936 S \* 4/2003 Ohtomi et al. .... D21/325

6,645,067 B1 \* 11/2003 Okita et al. .... 463/7  
6,811,482 B2 \* 11/2004 Letovsky ..... 463/7  
D516,128 S \* 2/2006 Nunokawa ..... D21/327  
D546,893 S \* 7/2007 Yamashita ..... D21/325

**OTHER PUBLICATIONS**

U.S. Appl. No. 29/280,736 to Ichimura et al., filed Jun. 6, 2007.

\* cited by examiner

*Primary Examiner*—Prabhakar Deshmukh

(74) *Attorney, Agent, or Firm*—Greenblum & Bernstein, P.L.C.

(57) **CLAIM**

The ornamental design for arcade video game machine, as shown and described.

**DESCRIPTION**

FIG. 1 is perspective view of an arcade video game machine showing our new design;

FIG. 2 is a rear elevational view thereof;

FIG. 3 is an enlarged scale top plan view thereof;

FIG. 4 is a bottom plan view thereof;

FIG. 5 is a right side elevational view thereof;

FIG. 6 is a front elevational view thereof, shown in operating condition wherein a controller is shown in a raised position;

FIG. 7 is a right side elevational view of FIG. 6;

FIG. 8 is a partial enlarged sectional view taken along line 8—8 of FIG. 7; and,

FIG. 9 is a perspective view thereof.

The broken lines are for illustrative purpose only and form no part of the claimed design.

**1 Claim, 9 Drawing Sheets**

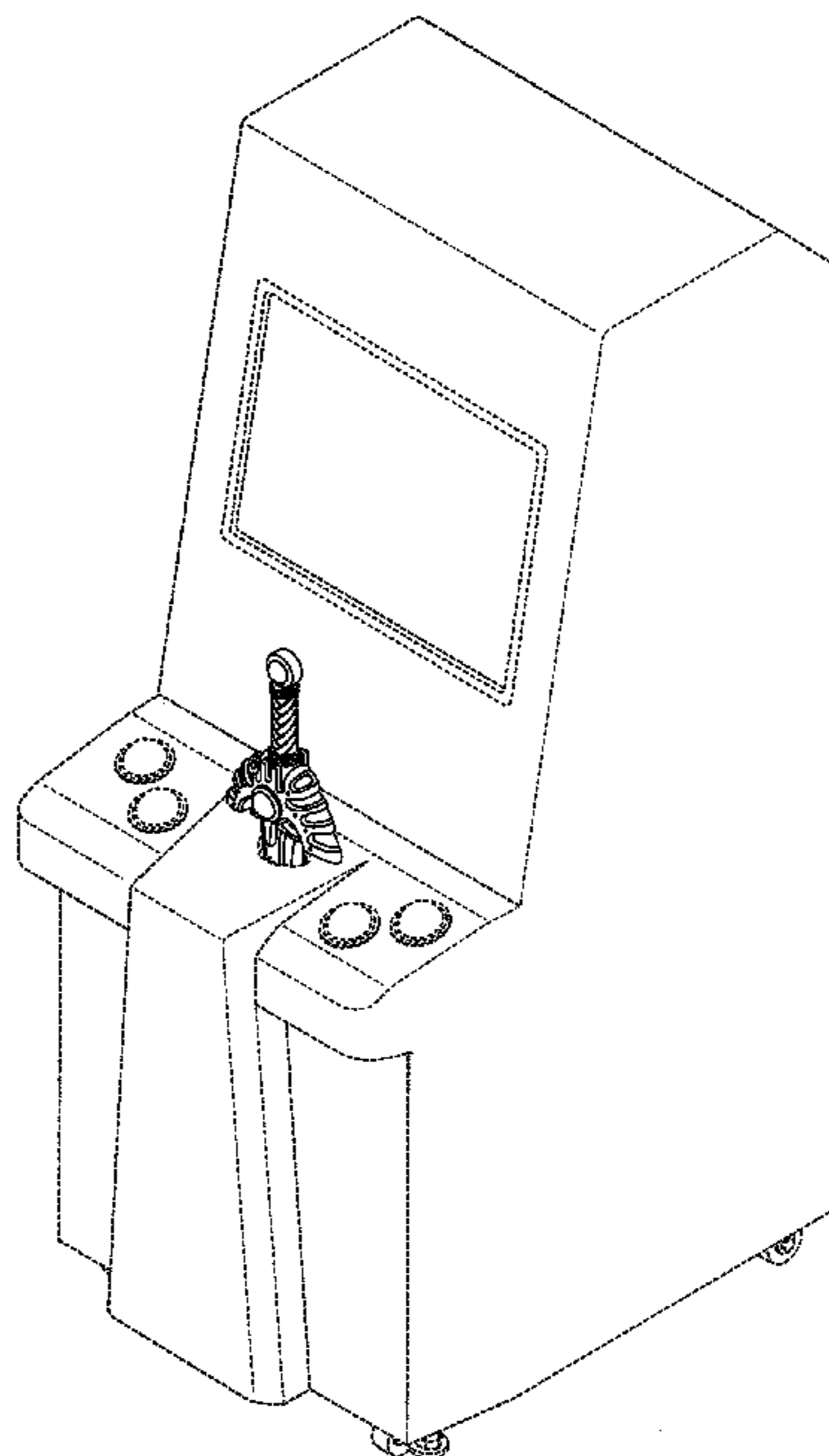


FIG. 1

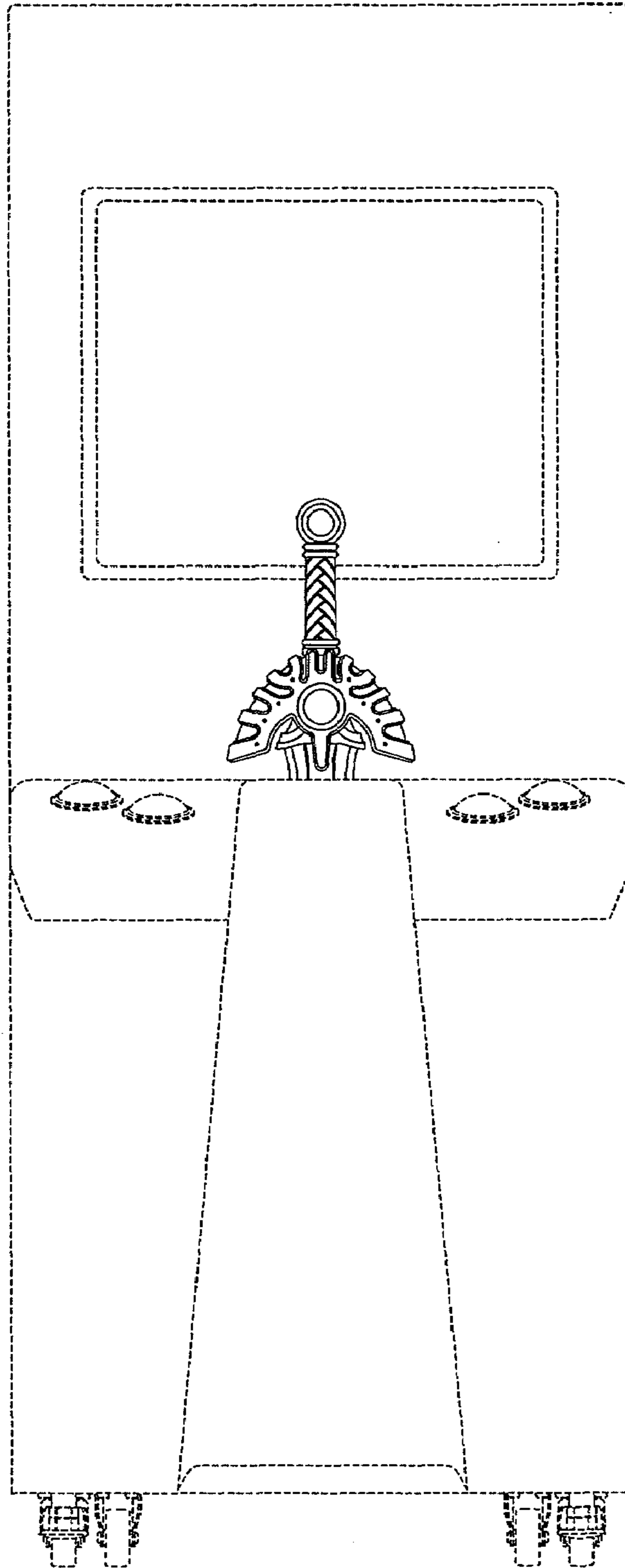


FIG. 2

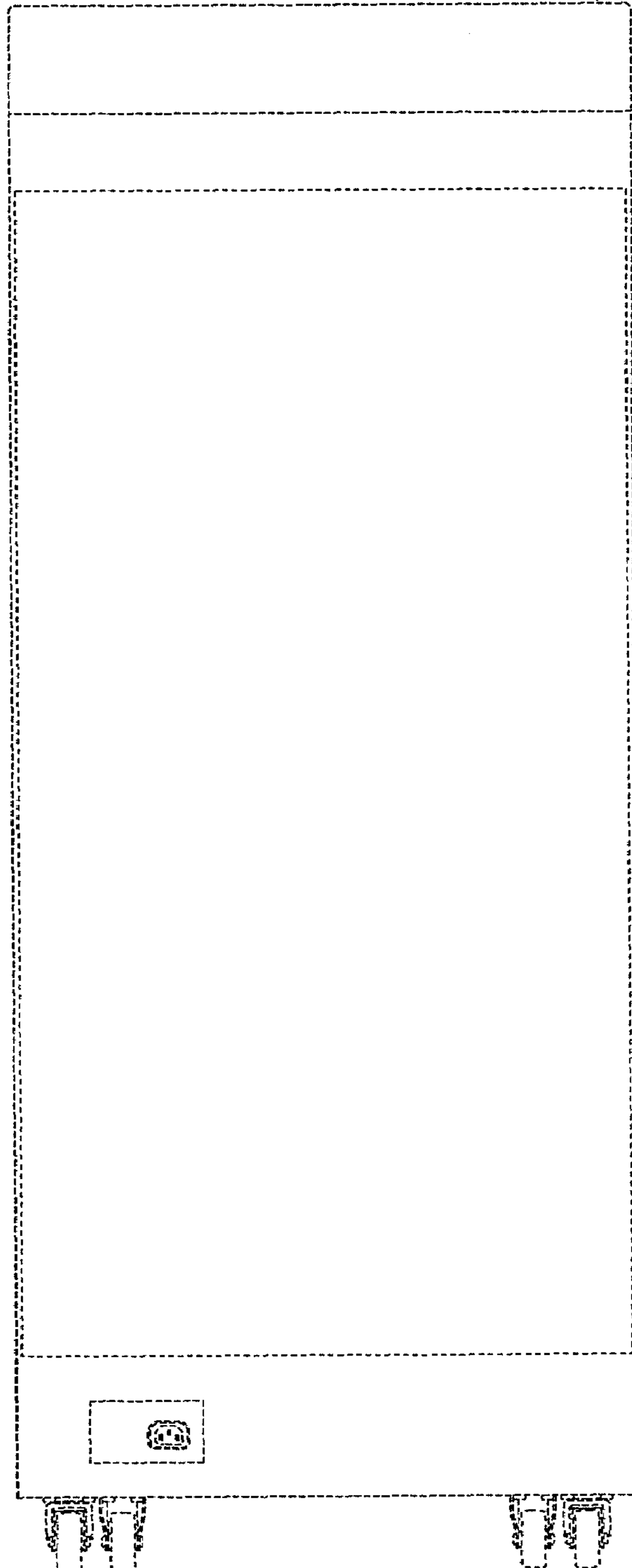


FIG. 3

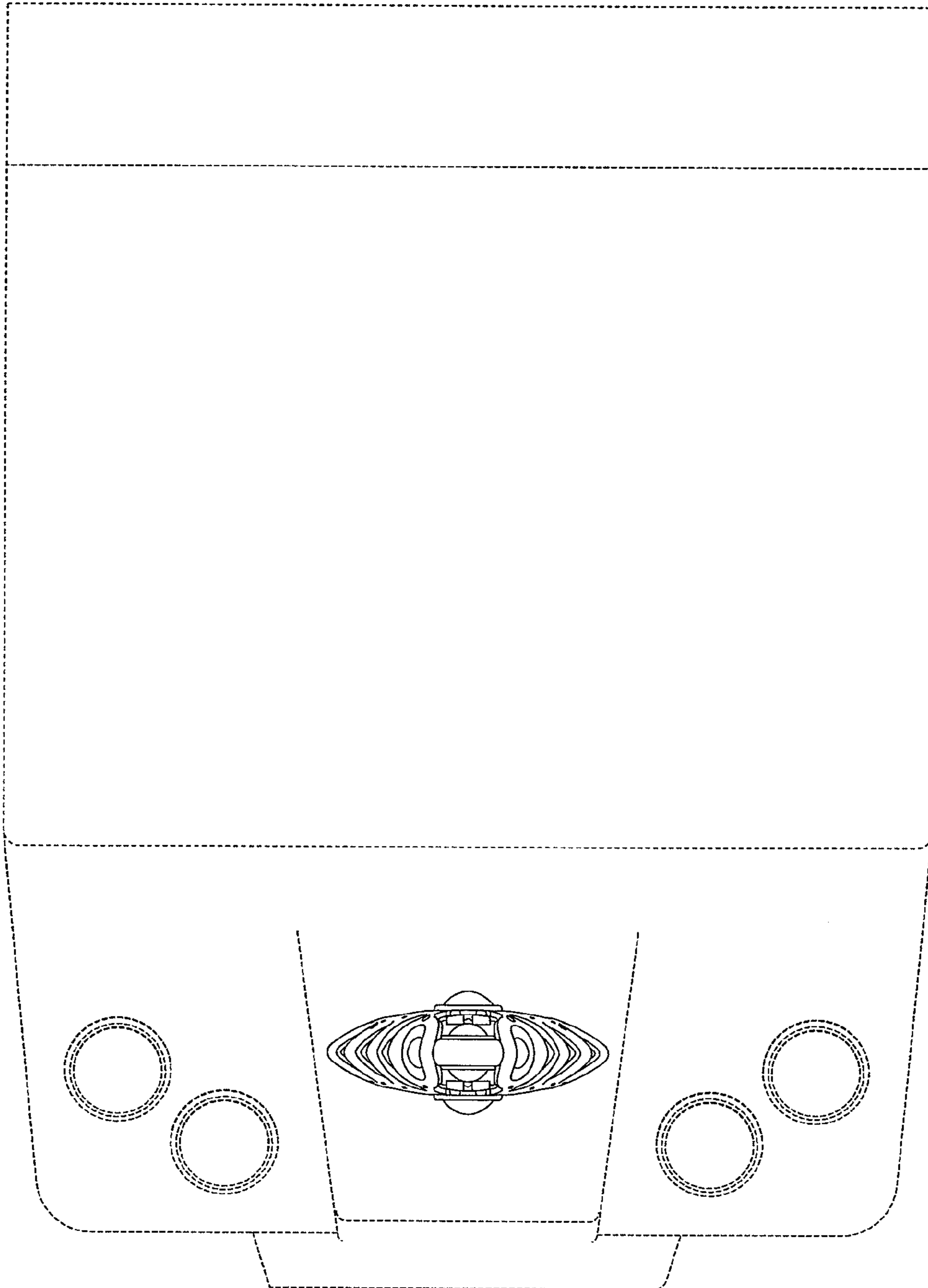


FIG. 4

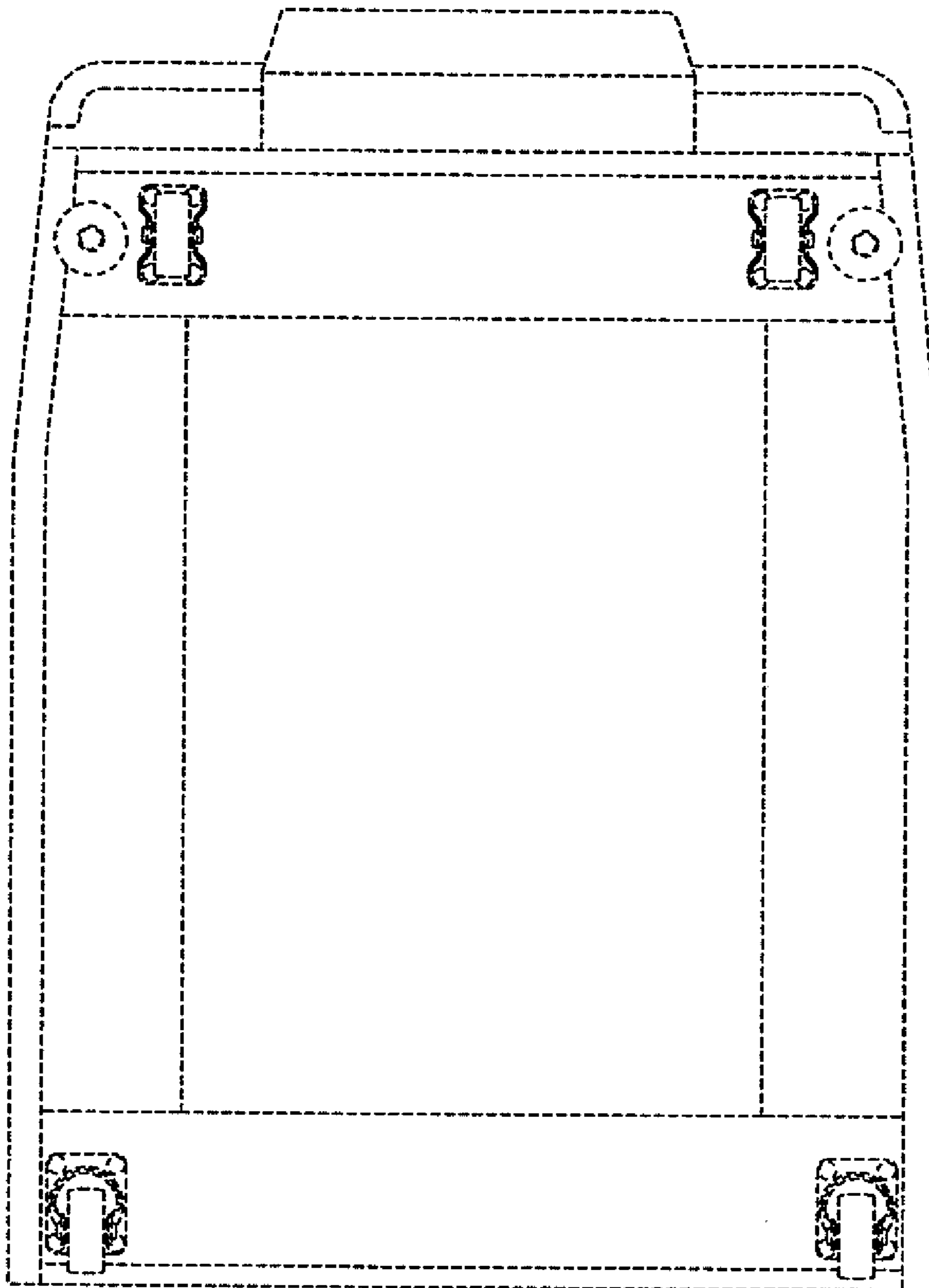


FIG. 5

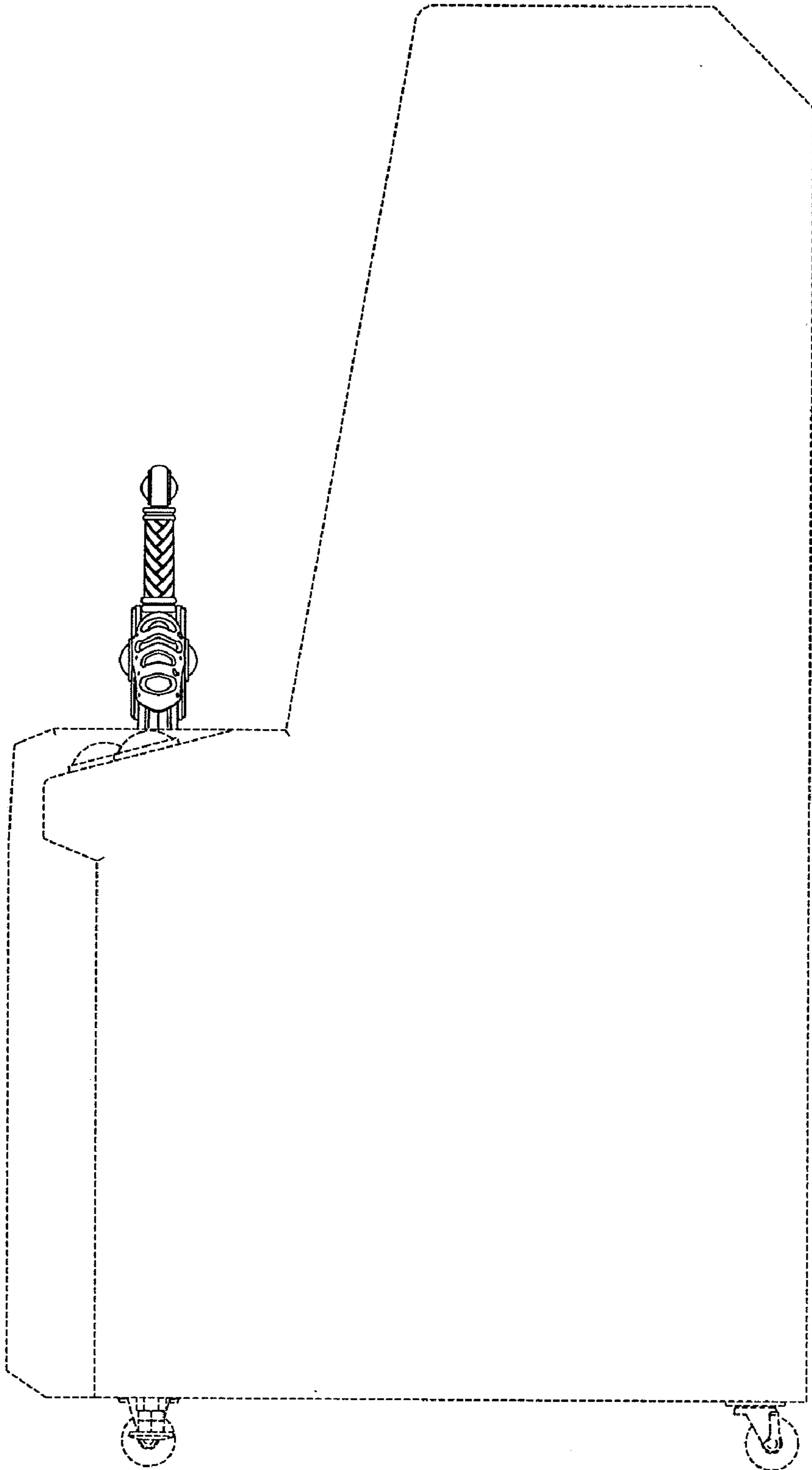


FIG. 6

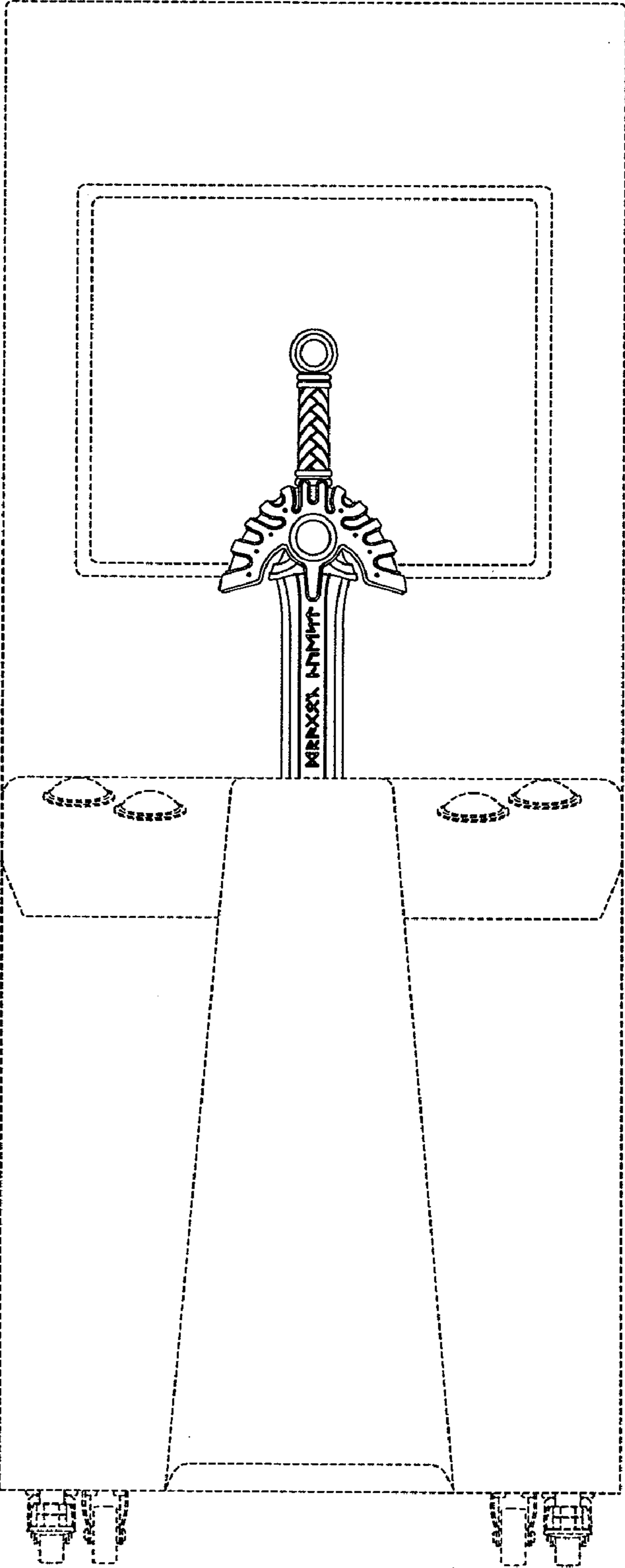


FIG. 7

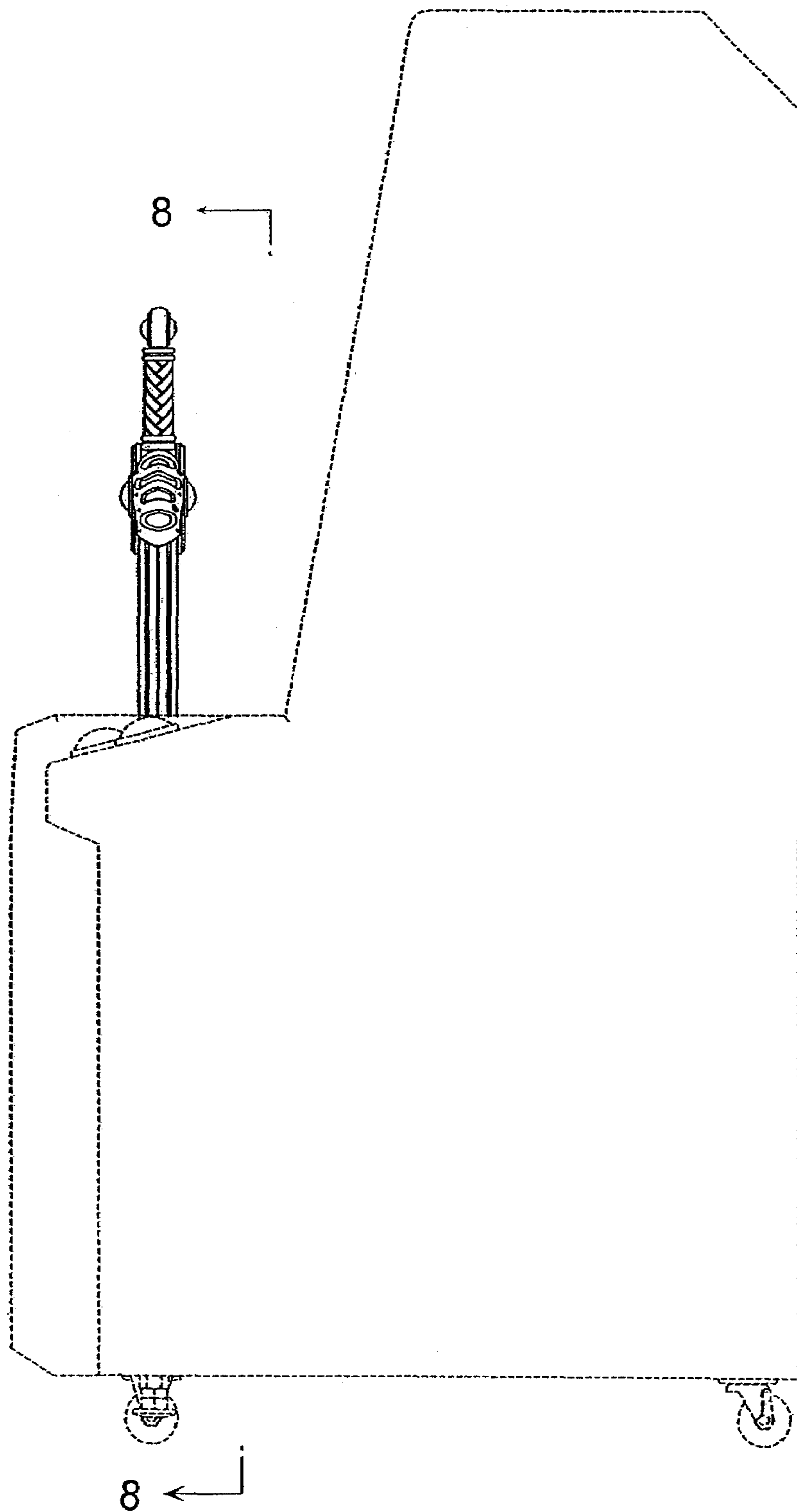




FIG. 8

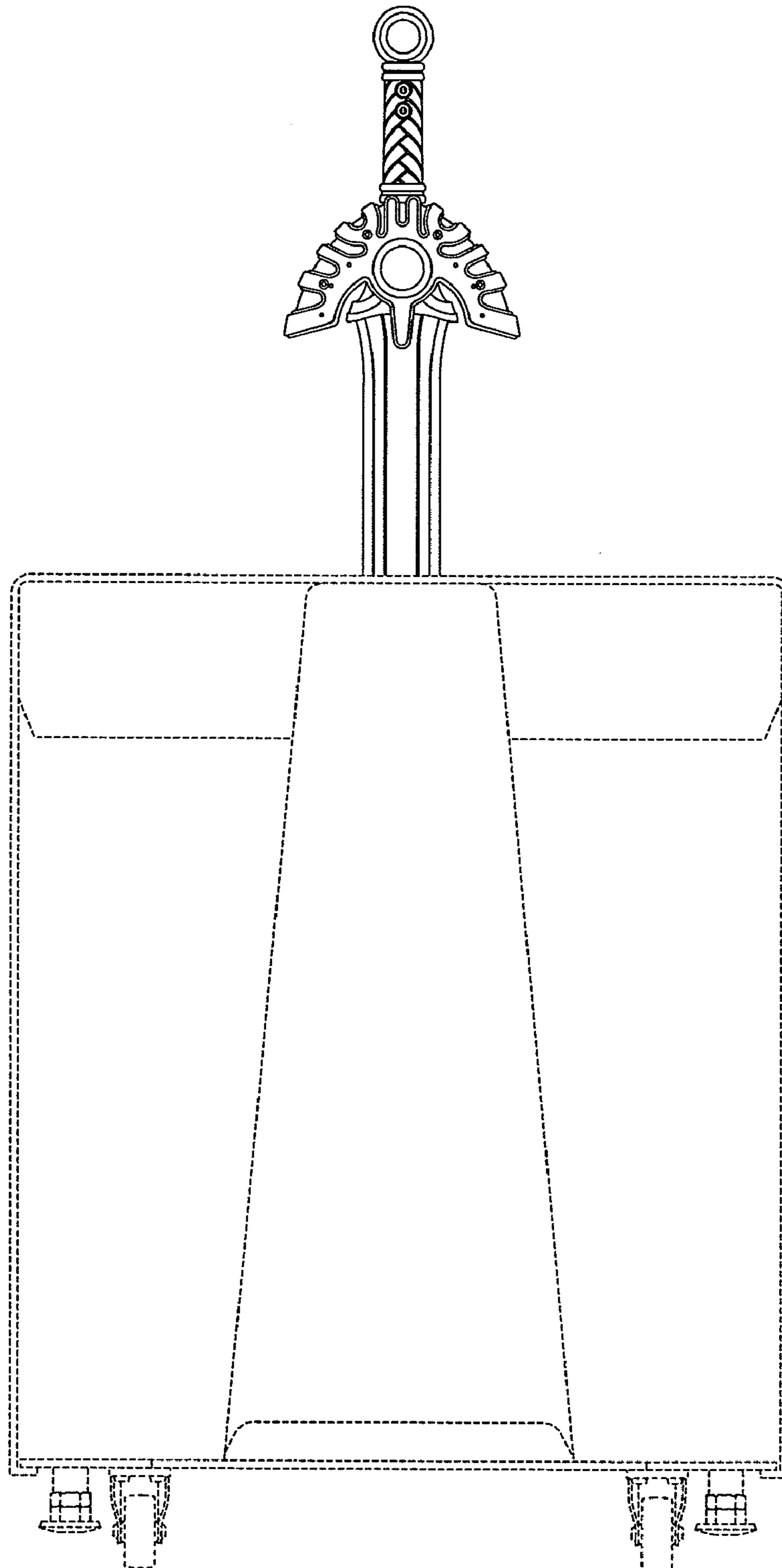


FIG. 9

