



US00D573657S

(12) **United States Design Patent**
Caterinacci

(10) **Patent No.:** **US D573,657 S**
(45) **Date of Patent:** **** Jul. 22, 2008**

(54) **SIGN HOLDER**

(75) Inventor: **John Caterinacci**, Hudson, OH (US)

(73) Assignee: **Fasteners for Retail, Inc.**, Cleveland, OH (US)

(**) Term: **14 Years**

(21) Appl. No.: **29/289,726**

(22) Filed: **Jul. 30, 2007**

(51) **LOC (8) Cl.** **20-03**

(52) **U.S. Cl.** **D20/43**

(58) **Field of Classification Search** D20/10,
D20/19, 40, 42-44, 99; 40/360, 584, 606.01,
40/606.1, 607.11, 619, 620, 642.01, 642.02,
40/644, 651, 658, 661, 661.03, 662, 666,
40/700, 745, 765, 791; 283/56, 81; 248/231.81,
248/441.1; 206/38

See application file for complete search history.

(56) **References Cited**

U.S. PATENT DOCUMENTS

- 5,442,872 A * 8/1995 Moser 40/642.01
- 5,456,034 A * 10/1995 Lewis et al. 40/666
- 5,769,213 A * 6/1998 Chatterton 206/38
- D397,366 S 8/1998 Wamsley
- 6,026,603 A 2/2000 Kump et al.
- D421,773 S * 3/2000 Yashar D20/42
- D425,566 S 5/2000 Mueller et al.
- D425,939 S 5/2000 Kump et al.
- 6,141,894 A * 11/2000 Thalenfeld et al. 40/642.01
- D440,606 S 4/2001 Mueller
- 6,289,618 B1 9/2001 Kump et al.
- D454,373 S 3/2002 Kosir
- D454,917 S 3/2002 Mueller
- D454,918 S 3/2002 Wamsley et al.
- D461,507 S * 8/2002 Nagel D20/43
- 6,430,857 B1 * 8/2002 Nagel 40/661
- D470,893 S * 2/2003 Valiulis et al. D20/44

- D479,278 S * 9/2003 Nagel D20/43
- D485,582 S * 1/2004 Valiulis D20/44
- D487,115 S 2/2004 Kosir
- D487,290 S 3/2004 Kosir
- 6,698,124 B2 3/2004 Kump et al.
- D510,602 S 10/2005 Wasilko
- D514,166 S * 1/2006 Brinkman D20/44
- D531,227 S 10/2006 Mueller et al.
- 2005/0166438 A1 8/2005 Mueller et al.
- 2006/0130381 A1 6/2006 Caterinacci

OTHER PUBLICATIONS

FFR Yellow Pages 2007 Product Catalog, Cover page, pp. 34, 35, 125, 126 and 130.

* cited by examiner

Primary Examiner—Caron D. Veynar

Assistant Examiner—Mary Ann Calabrese

(74) *Attorney, Agent, or Firm*—Fay Sharpe LLP

(57) **CLAIM**

The ornamental design for a sign holder, as shown and described.

DESCRIPTION

FIG. 1 is a front elevational view of a sign holder showing my new design;

FIG. 2 is a rear elevational view thereof;

FIG. 3 is a top plan view thereof;

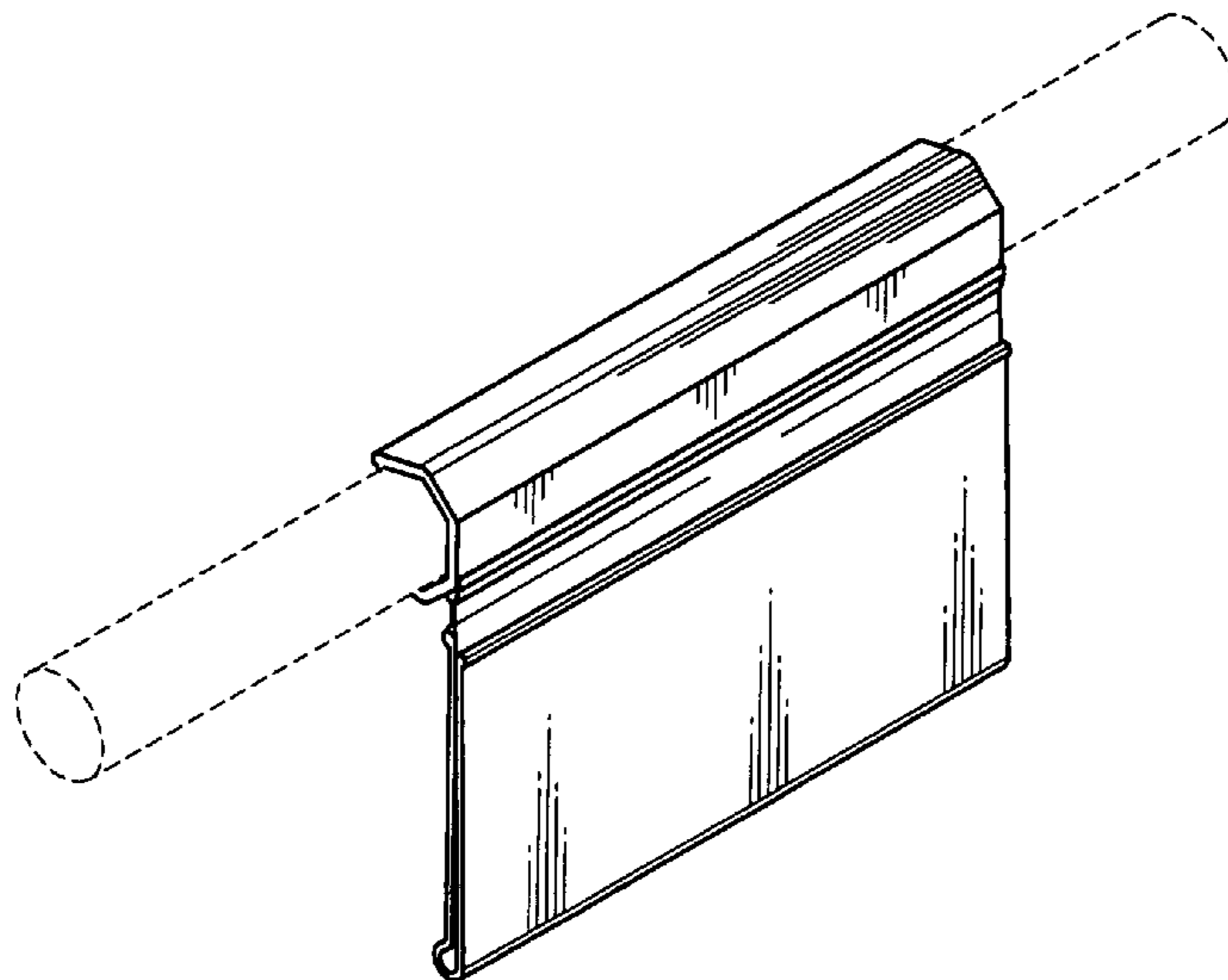
FIG. 4 is a bottom plan view thereof;

FIG. 5 is a right side elevational view thereof, with the left side elevational view being a mirror image thereof; and,

FIG. 6 is a perspective view thereof as it would be mounted on a support.

The portions shown in dashed lines in FIG. 6 show the environment of the sign holder and form no part of the claimed design.

1 Claim, 2 Drawing Sheets



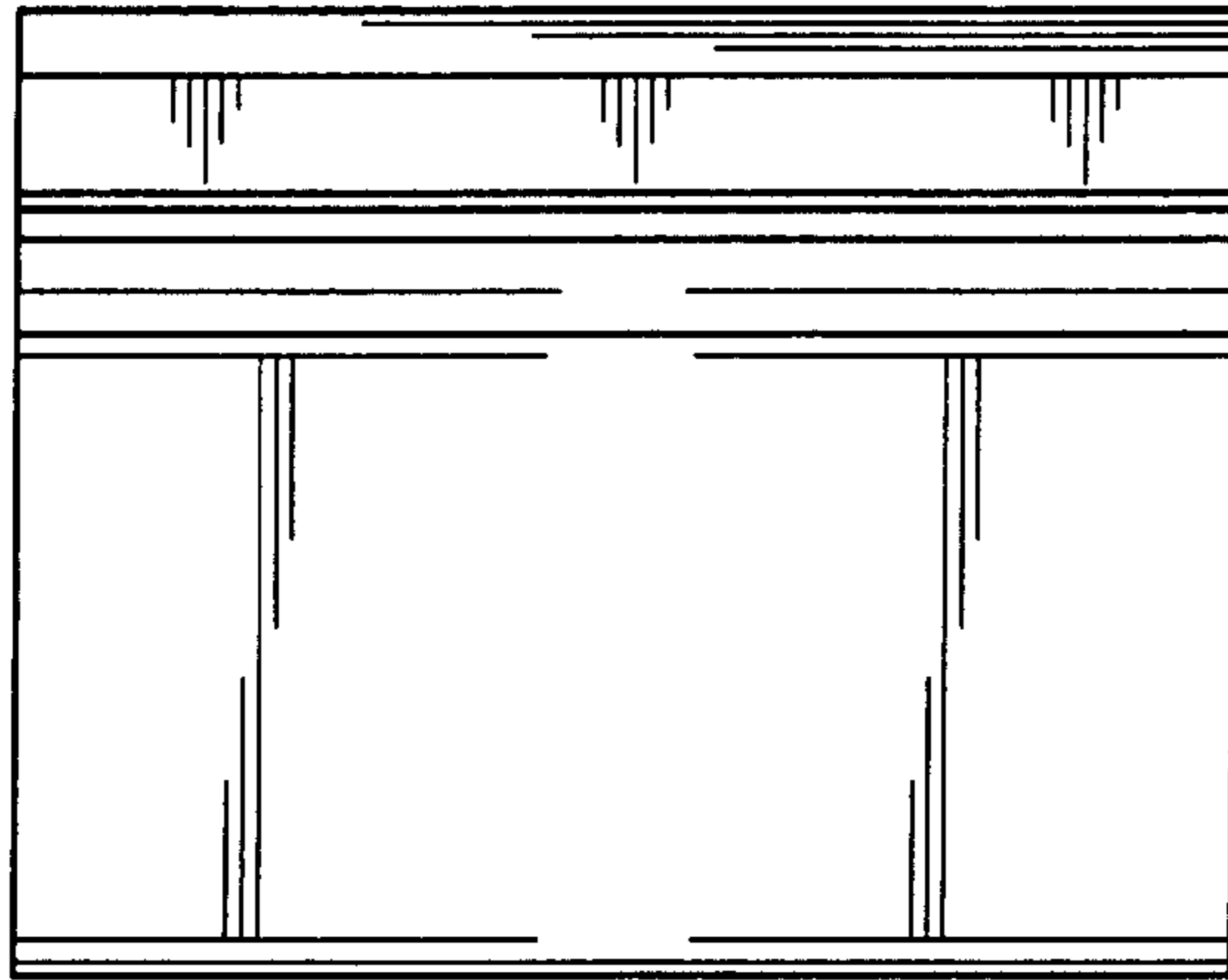


FIG. 1

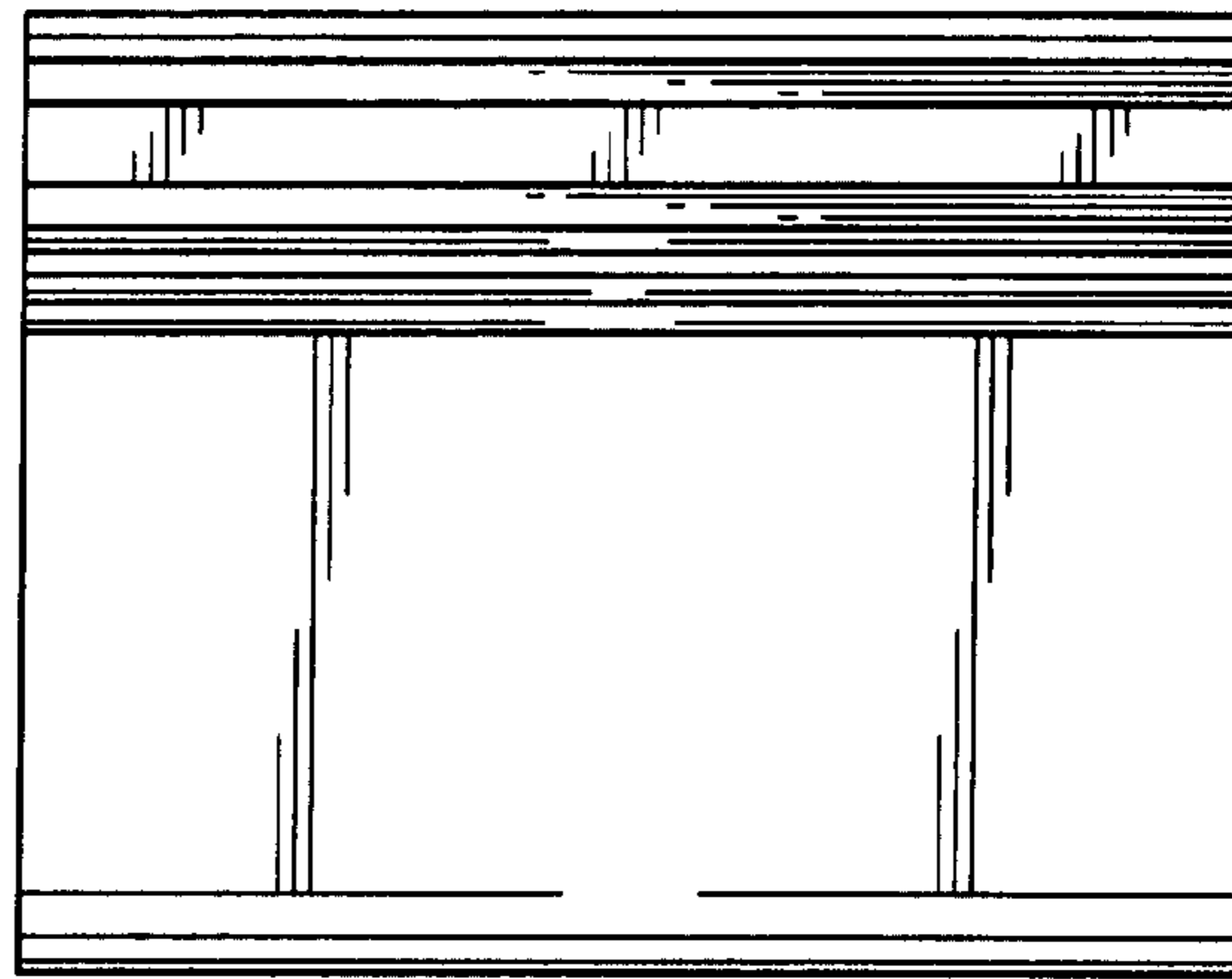


FIG. 2

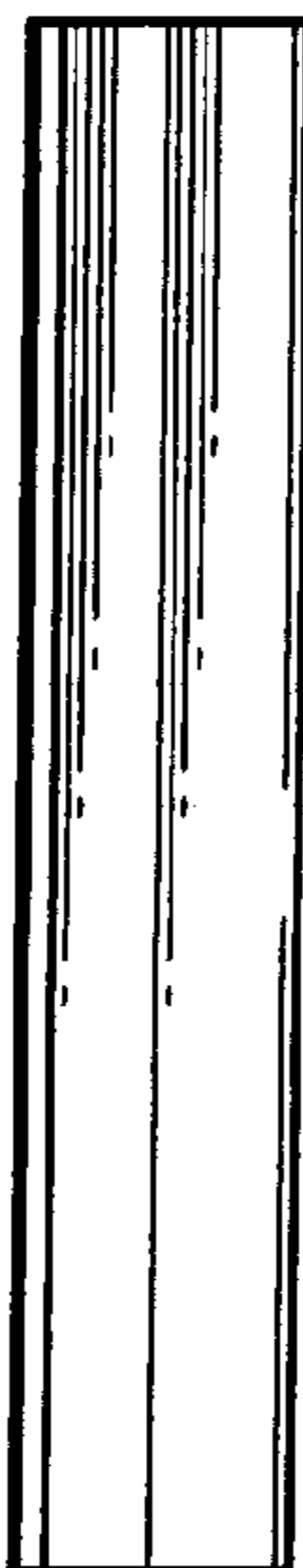


FIG. 3

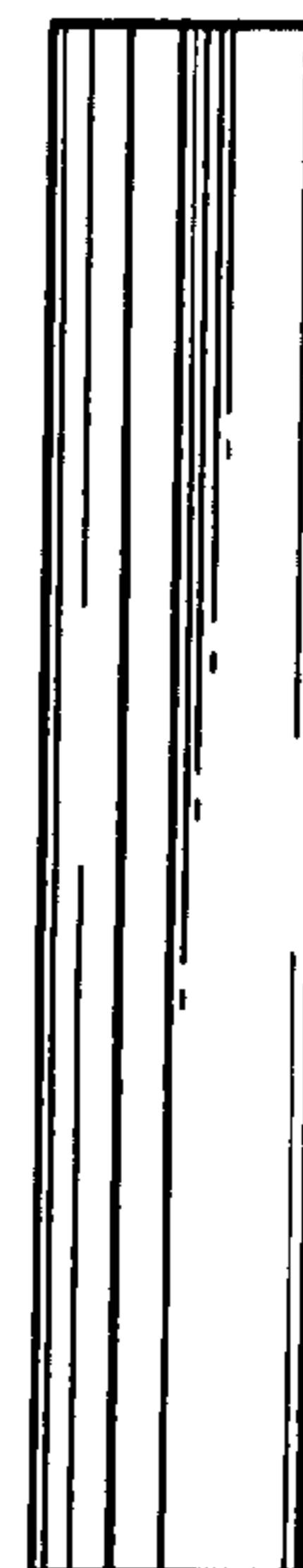


FIG. 4



FIG. 5

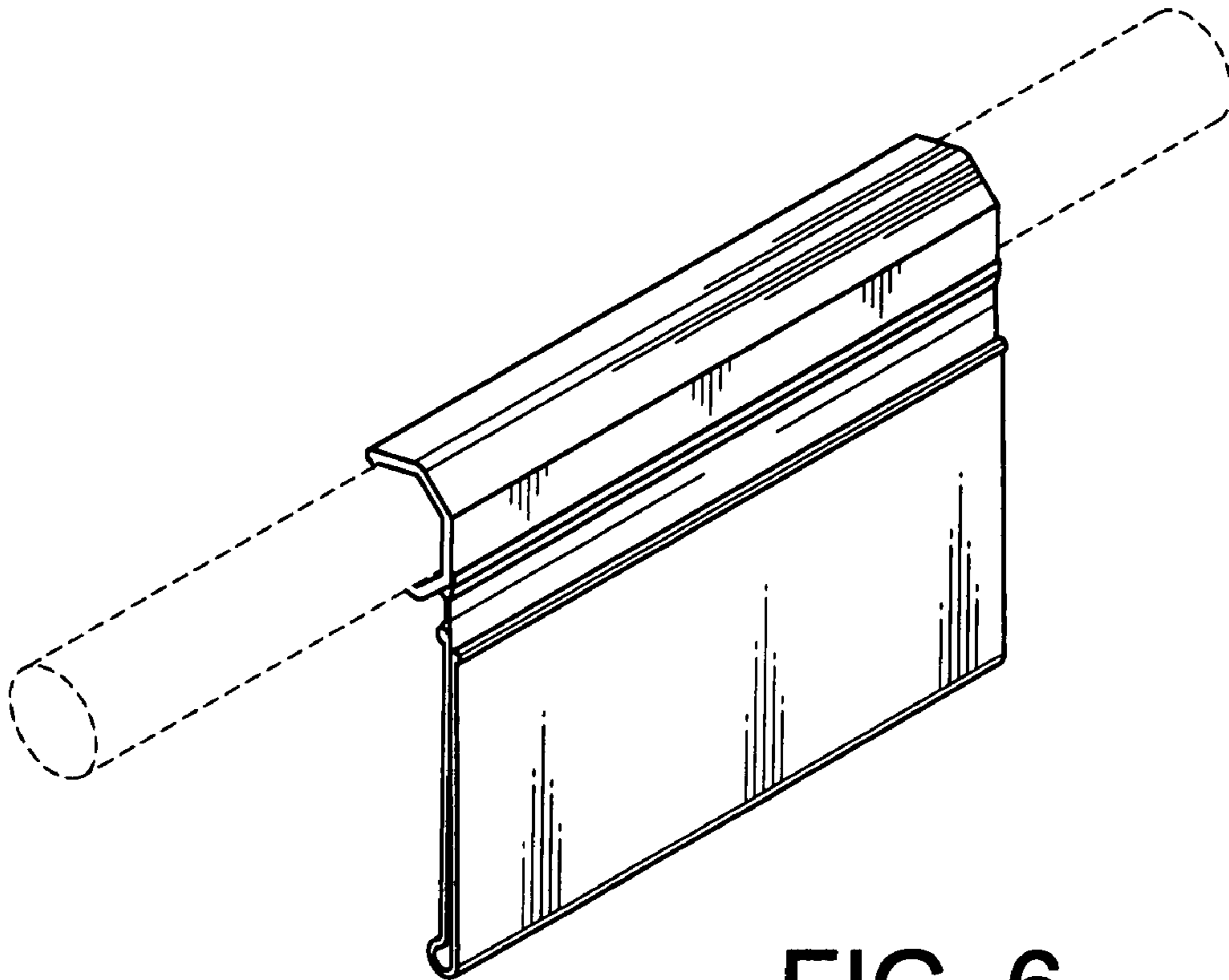


FIG. 6