



US00D573656S

(12) **United States Design Patent**
Wamsley

(10) **Patent No.:** **US D573,656 S**
(45) **Date of Patent:** **** Jul. 22, 2008**

(54) **CLIP ON LABEL HOLDER**
(75) Inventor: **Stephen D. Wamsley**, Lakewood, OH (US)
(73) Assignee: **Fasteners For Retail, Inc.**, Cleveland, OH (US)
(**) Term: **14 Years**

D480,434 S * 10/2003 Brinkman et al. D20/43
D510,602 S 10/2005 Wasilko
D513,280 S 12/2005 Kosir
D516,633 S 3/2006 Kosir
D531,227 S * 10/2006 Mueller et al. D20/44
D546,892 S * 7/2007 Bruegmann D20/44
7,325,348 B2 * 2/2008 Mueller et al. 40/649
2004/0250459 A1 * 12/2004 Brinkman et al. 40/642.02
2005/0166438 A1 8/2005 Mueller et al.
2006/0254106 A1 * 11/2006 Fast 40/661.03

(21) Appl. No.: **29/285,940**
(22) Filed: **Apr. 17, 2007**

(51) **LOC (8) Cl.** **20-03**
(52) **U.S. Cl.** **D20/43**
(58) **Field of Classification Search** D20/10,
D20/19, 40, 42-44, 99; 40/360, 584, 606.01,
40/606.1, 607.11, 619, 620, 642.01, 642.02,
40/644, 649, 651, 658, 661, 662, 666, 700,
40/745, 765, 791; D6/300, 310; D14/251;
D19/86, 90; 283/56, 81; 248/231.81, 441.1;
24/67.9

See application file for complete search history.

(56) **References Cited**

U.S. PATENT DOCUMENTS

2,409,814 A * 10/1946 Vargish 40/745
4,384,416 A * 5/1983 Kanzelberger 40/661
4,496,127 A * 1/1985 Nelson 248/441.1
D279,674 S * 7/1985 Harley D14/251
4,903,376 A * 2/1990 Rousseau 24/67.9
D325,401 S * 4/1992 Garfinkle D20/43
6,026,603 A 2/2000 Kump et al.
D425,566 S 5/2000 Mueller et al.
D425,939 S 5/2000 Kump et al.
6,523,291 B2 * 2/2003 Nagel 40/661

OTHER PUBLICATIONS

FFR Yellow Pages 2007 Product Catalog, cover page, pp. 27-38.
Digital photograph of clip on label holder, Circa 2007.

* cited by examiner

Primary Examiner—Caron D. Veynar
Assistant Examiner—Mary Ann Calabrese
(74) *Attorney, Agent, or Firm*—Fay Sharpe LLP

(57) **CLAIM**

The ornamental design for a clip on label holder, as shown and described.

DESCRIPTION

FIG. 1 is a perspective view of a clip on label holder showing my new design;
FIG. 2 is a right side elevational view thereof, with a left side elevational view being a mirror image thereof;
FIG. 3 is a top plan view thereof;
FIG. 4 is a bottom plan view thereof;
FIG. 5 is a front elevational view thereof; and,
FIG. 6 is a rear elevational view thereof.

1 Claim, 2 Drawing Sheets

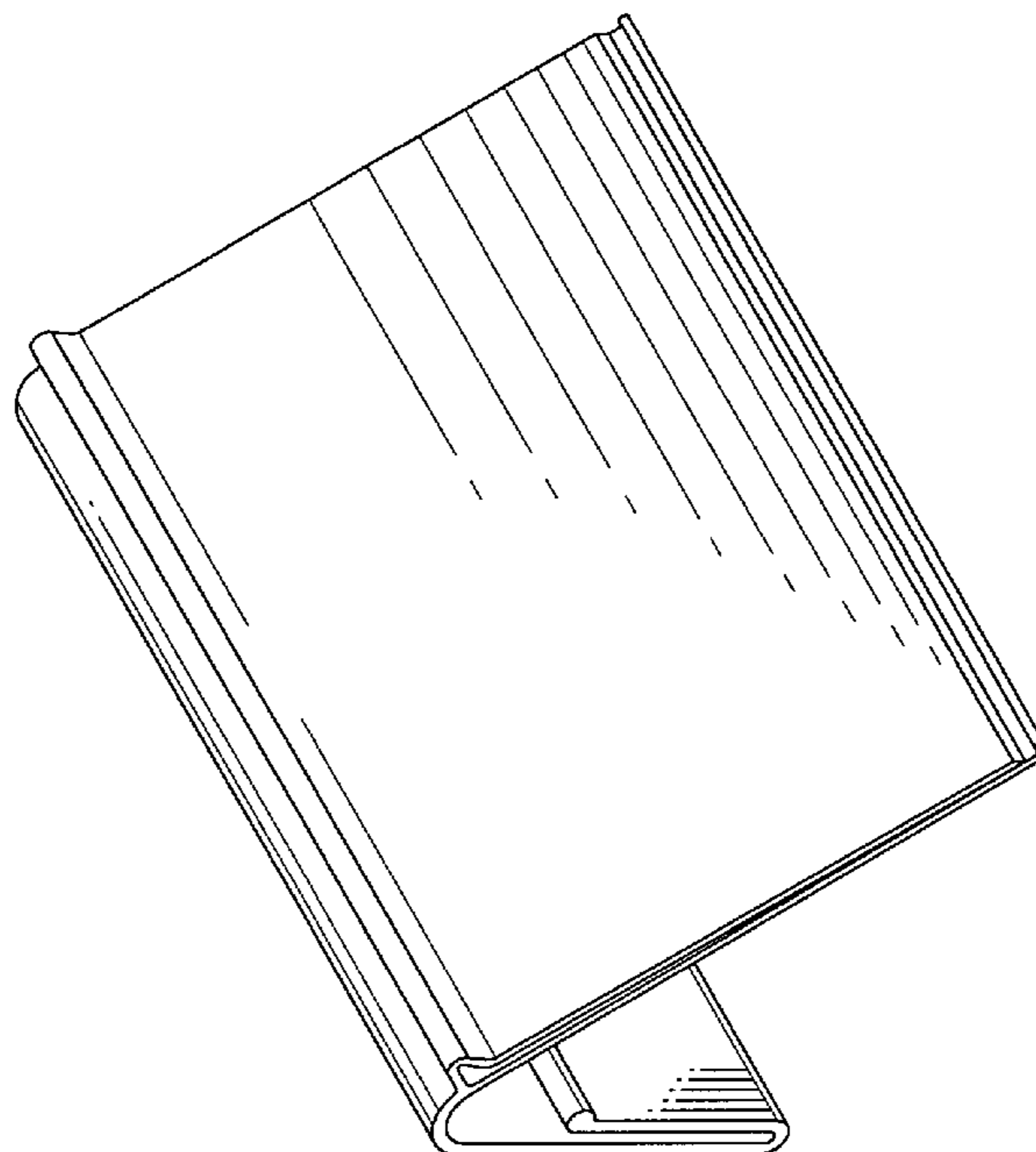


FIG. 1

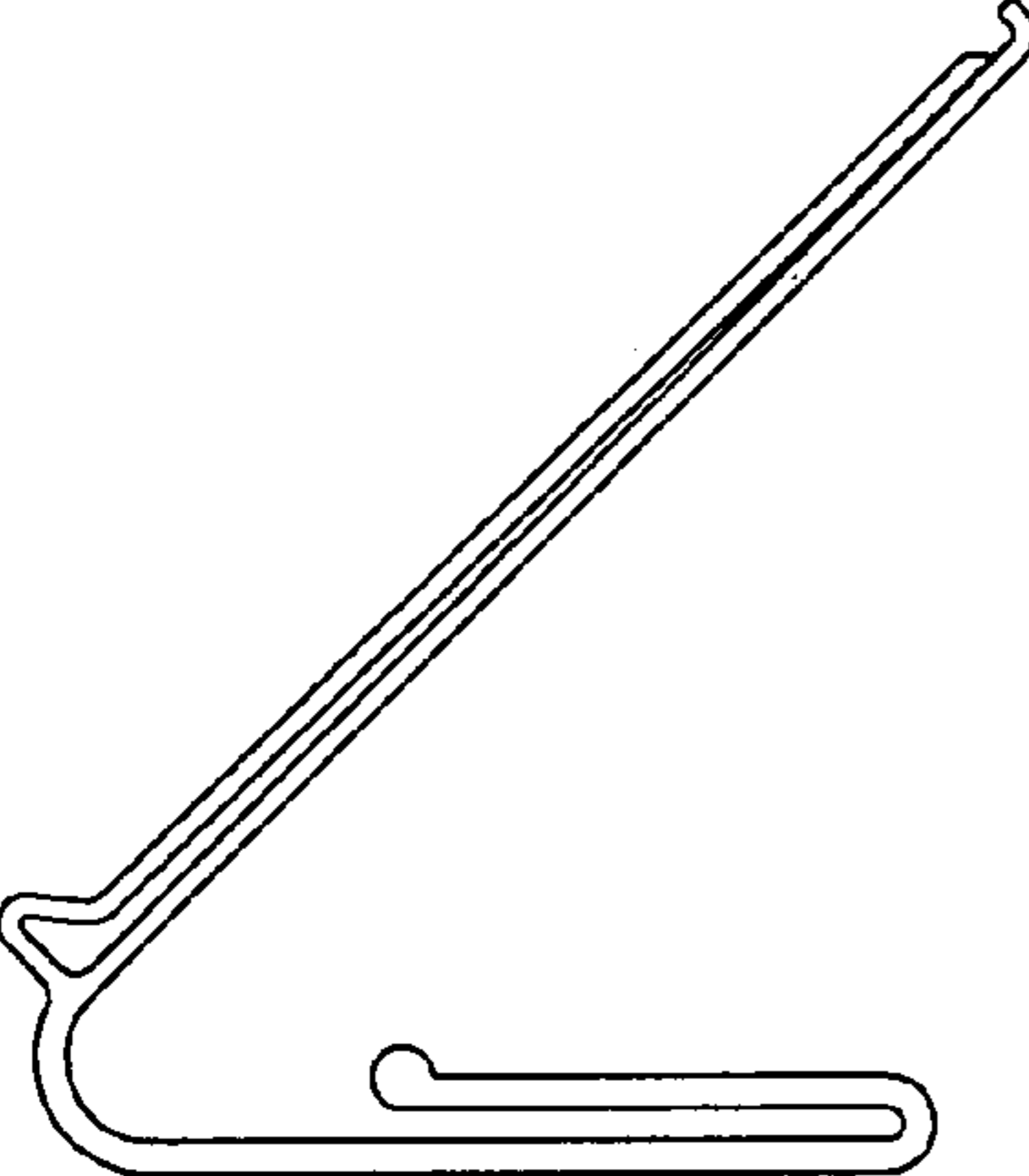
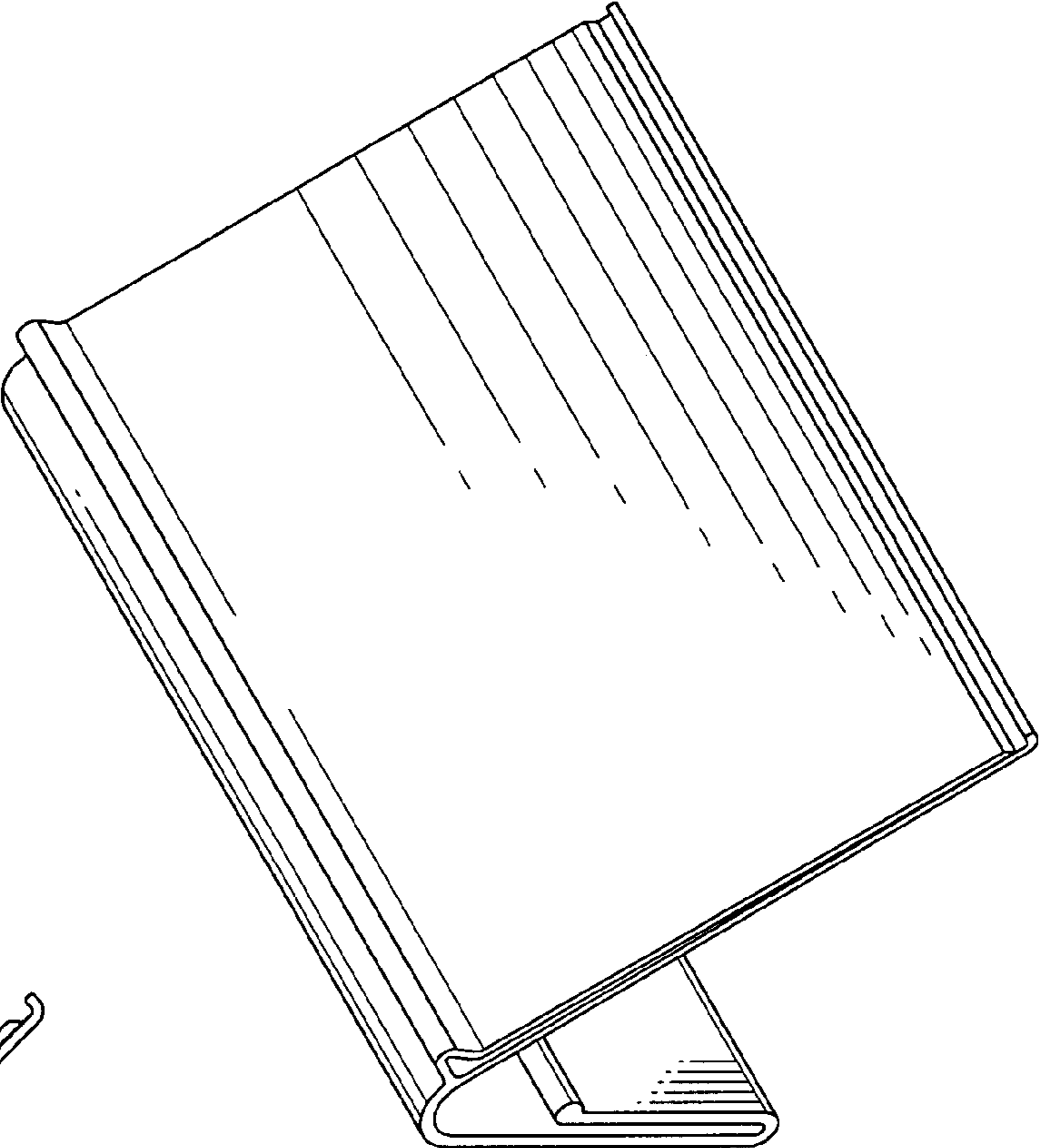


FIG. 2

FIG. 3

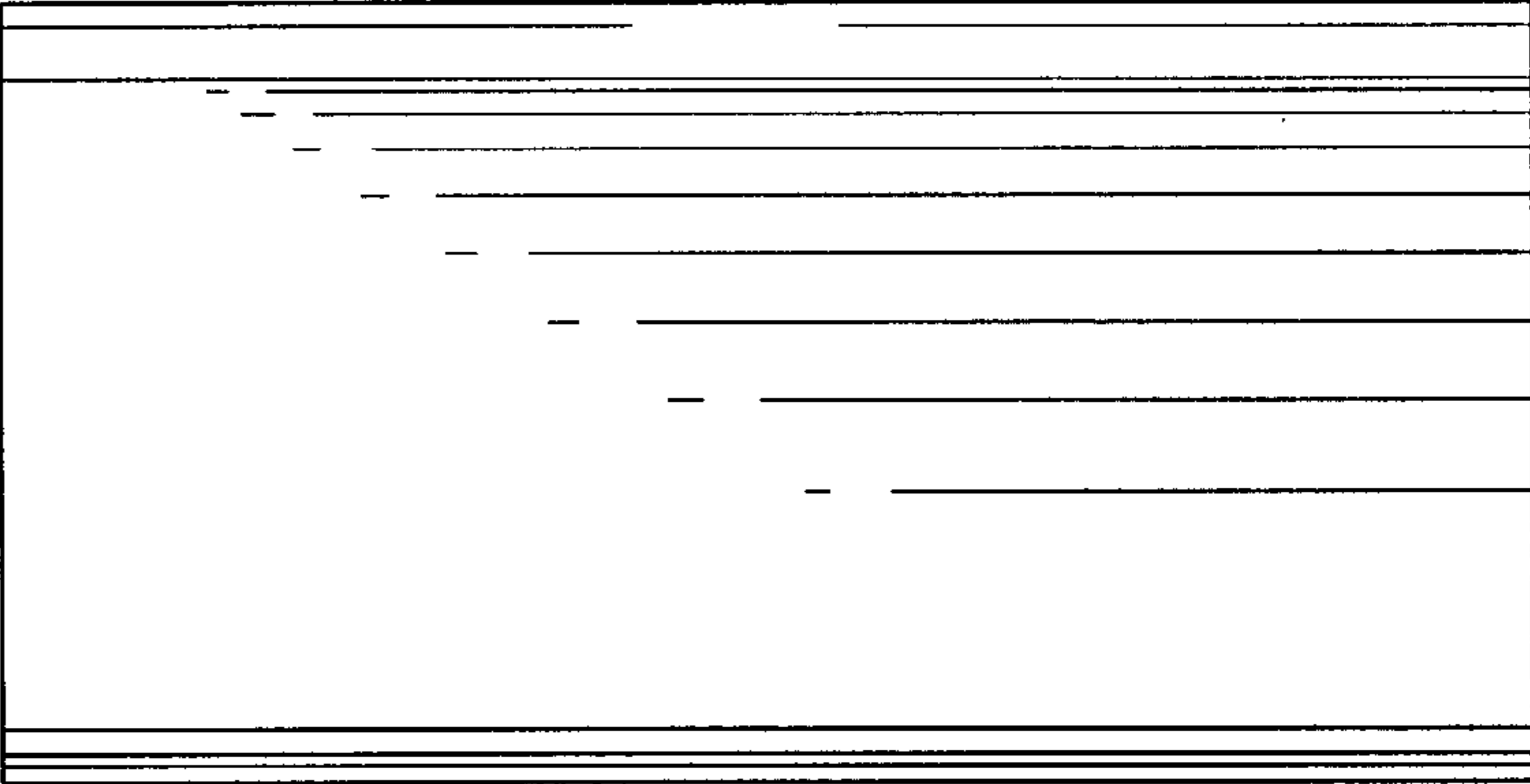


FIG. 4

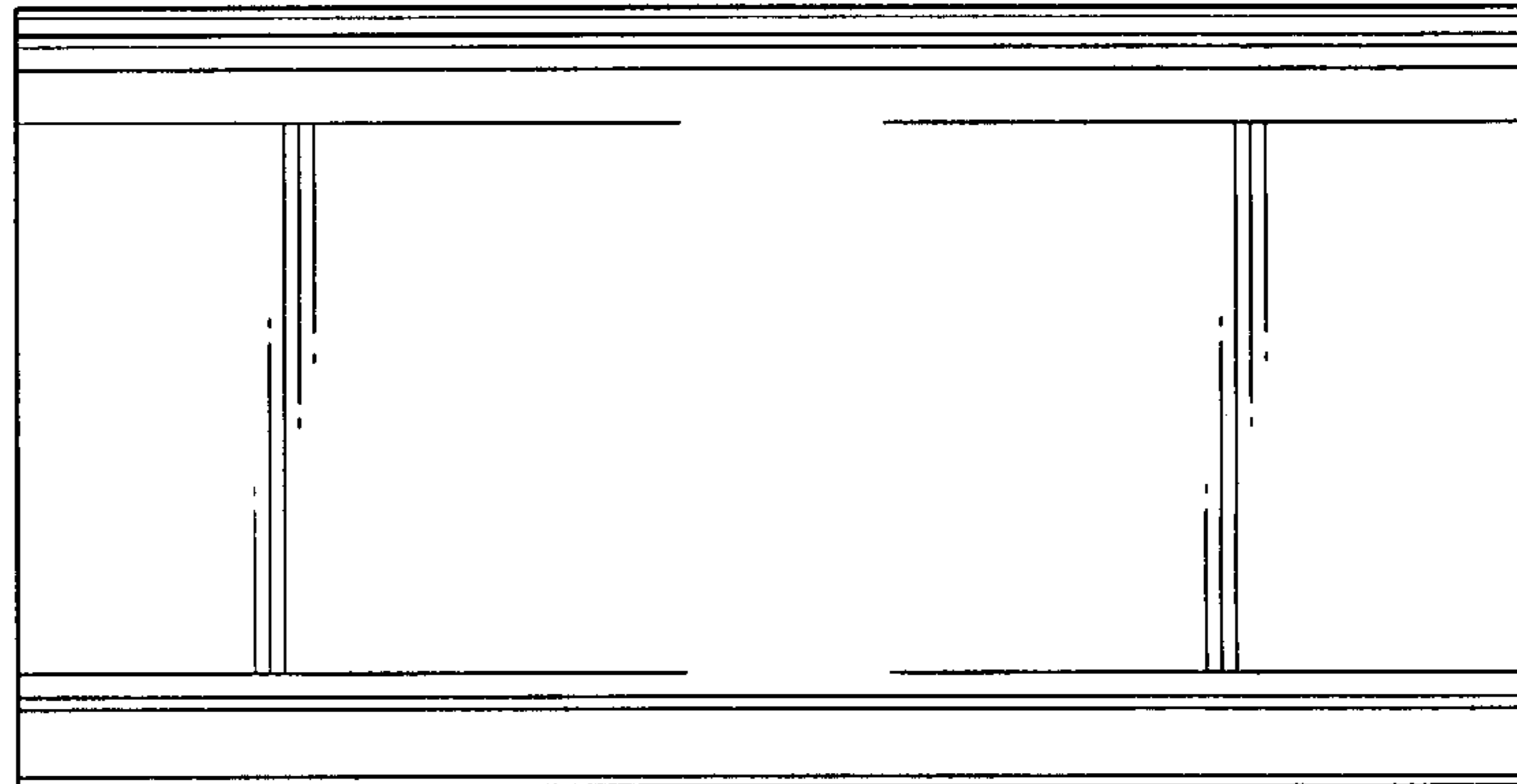


FIG. 5

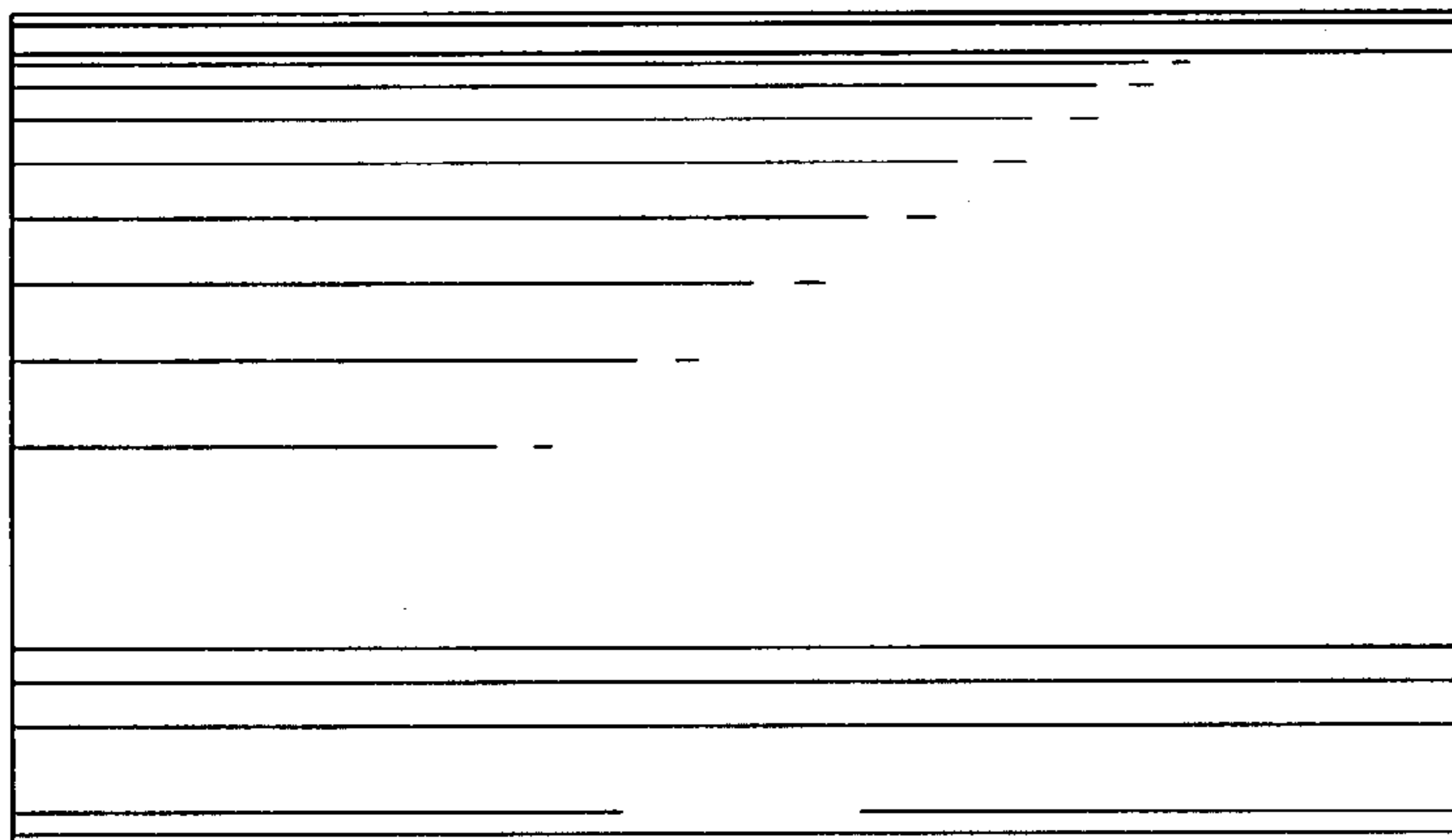


FIG. 6

