

US00D573655S

(12) **United States Design Patent**  
**Niwa**

(10) **Patent No.:** **US D573,655 S**  
(45) **Date of Patent:** **\*\* Jul. 22, 2008**

(54) **NAME PLATE**

(75) Inventor: **Kenji Niwa**, Aichi (JP)

(73) Assignee: **Merzen Products Inc.**, Aichi (JP)

(\*\*) Term: **14 Years**

(21) Appl. No.: **29/260,759**

(22) Filed: **Jun. 1, 2006**

(30) **Foreign Application Priority Data**

Feb. 24, 2006 (JP) ..... D2006-004520

(51) **LOC (8) Cl.** ..... **20-03**

(52) **U.S. Cl.** ..... **D20/43**

(58) **Field of Classification Search** ..... D20/10,  
D20/15, 42, 43, 99; 40/1.5, 1.6, 299.01,  
40/358, 543, 546, 642.02, 643, 649, 651-653,  
40/655, 658, 659, 661.06, 661.11, 662, 666;  
283/56, 74, 75, 80, 81; D19/90; 211/51;  
D11/206; 24/103, 708.7, 708.9, 709.2, 709.4,  
24/709.9

See application file for complete search history.

(56) **References Cited**

**U.S. PATENT DOCUMENTS**

- 244,667 A \* 7/1881 Reis ..... 40/662
- 265,986 A \* 10/1882 Searing ..... 40/662
- 323,543 A \* 8/1885 Tommen ..... 24/709.2
- 947,512 A \* 1/1910 Sellick ..... 211/51
- 2,546,662 A \* 3/1951 Bagnasco ..... 24/708.7
- 2,634,527 A \* 4/1953 Pletscher ..... 40/643
- 3,806,997 A \* 4/1974 Niwa ..... 24/709.9
- 3,883,930 A \* 5/1975 Bagnasco ..... 24/708.9
- D258,996 S \* 4/1981 Costantino ..... D11/206

- 4,791,745 A \* 12/1988 Pohn ..... 40/546
- 4,989,352 A \* 2/1991 Seppanen ..... 40/1.5
- 5,329,678 A \* 7/1994 Bagnasco ..... 24/709.4
- D349,925 S \* 8/1994 Charron et al. .... D19/90
- D491,611 S \* 6/2004 Domack ..... D20/43

\* cited by examiner

*Primary Examiner*—Janice E. Seeger

*Assistant Examiner*—Mary Ann Calabrese

(74) *Attorney, Agent, or Firm*—Rader, Fishman & Grauer, PLLC

(57) **CLAIM**

The ornamental design for a name plate, as shown and described.

**DESCRIPTION**

FIG. 1 is a front elevational view of a name plate showing my new design;

FIG. 2 is a top plan view thereof;

FIG. 3 is a right side elevational view thereof;

FIG. 4 is a left side elevational view thereof;

FIG. 5 is a rear elevational view thereof;

FIG. 6 is a bottom plan view thereof;

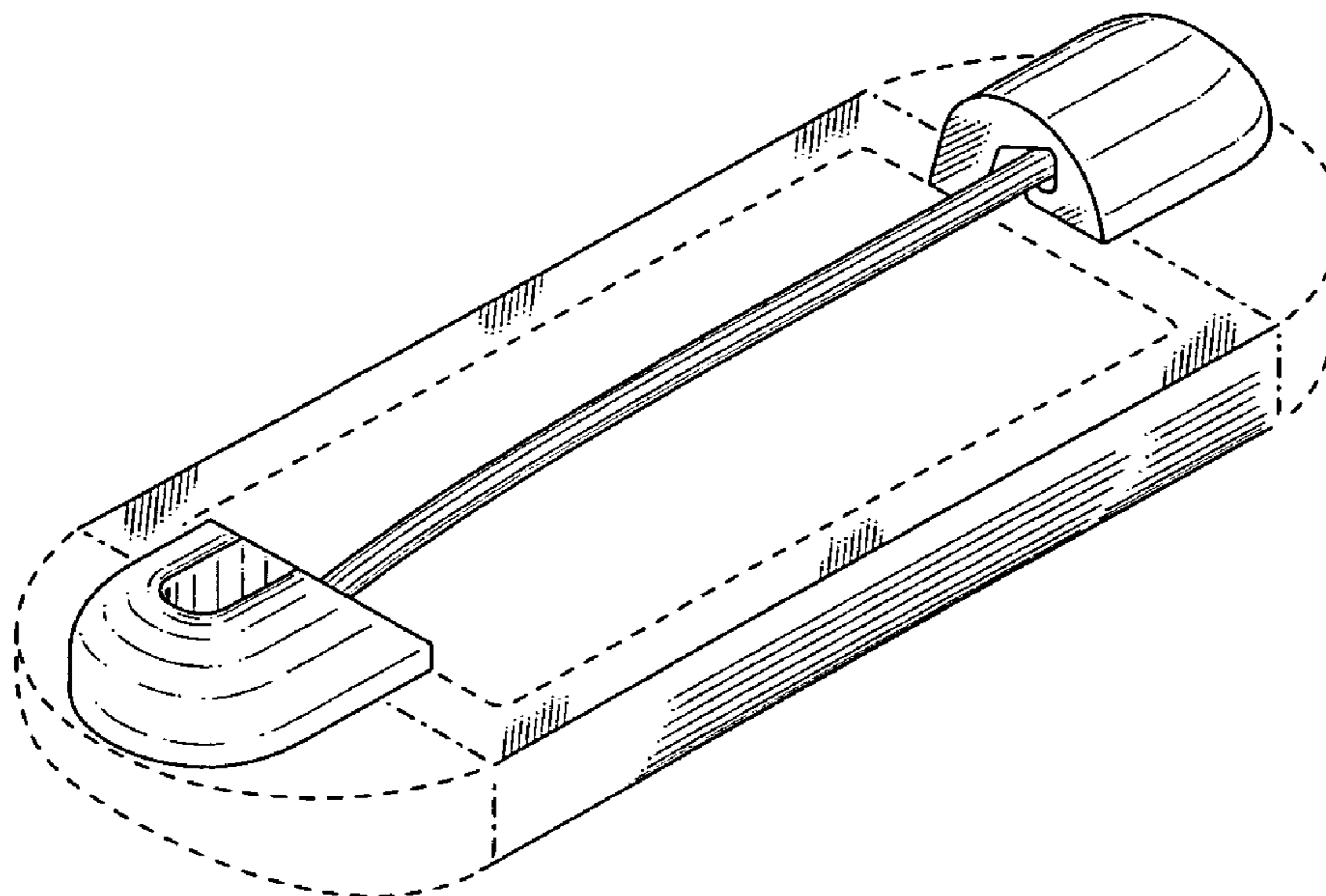
FIG. 7 is a front left top perspective view thereof;

FIG. 8 is a rear right bottom perspective view thereof; and,

FIG. 9 is a rear right top perspective view thereof.

In the drawings, the evenly spaced broken lines showing of the name plate are for illustrative purposed only and form no part of the claimed design. The dot-dash broken lines define, but are not included in, the boundaries of the claimed design.

**1 Claim, 9 Drawing Sheets**



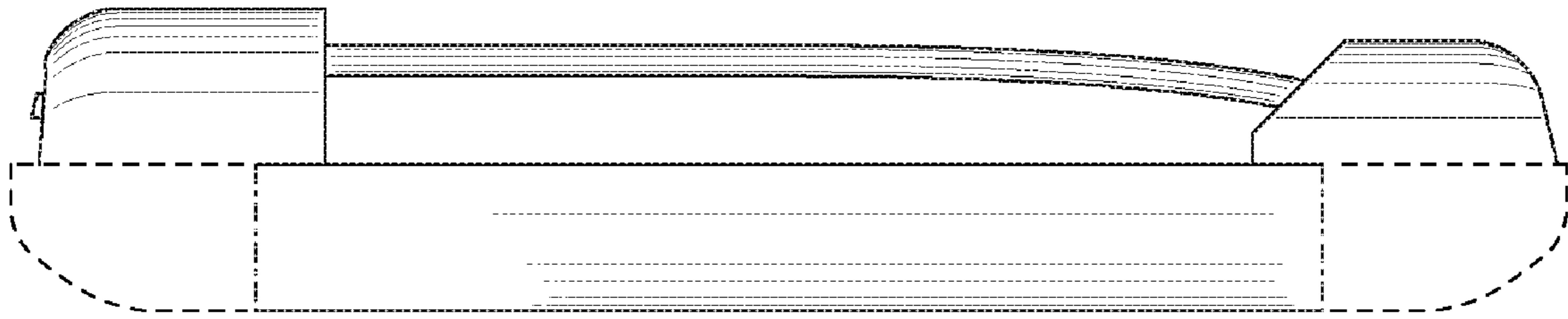


FIG. 1

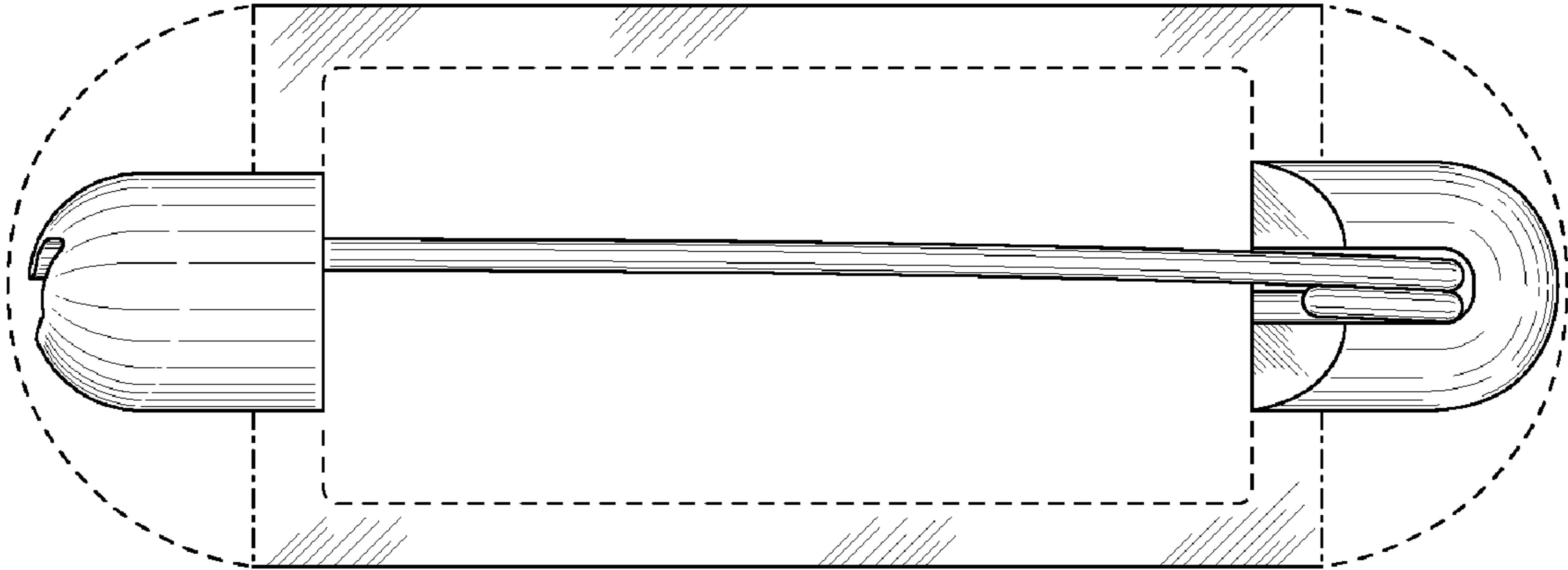
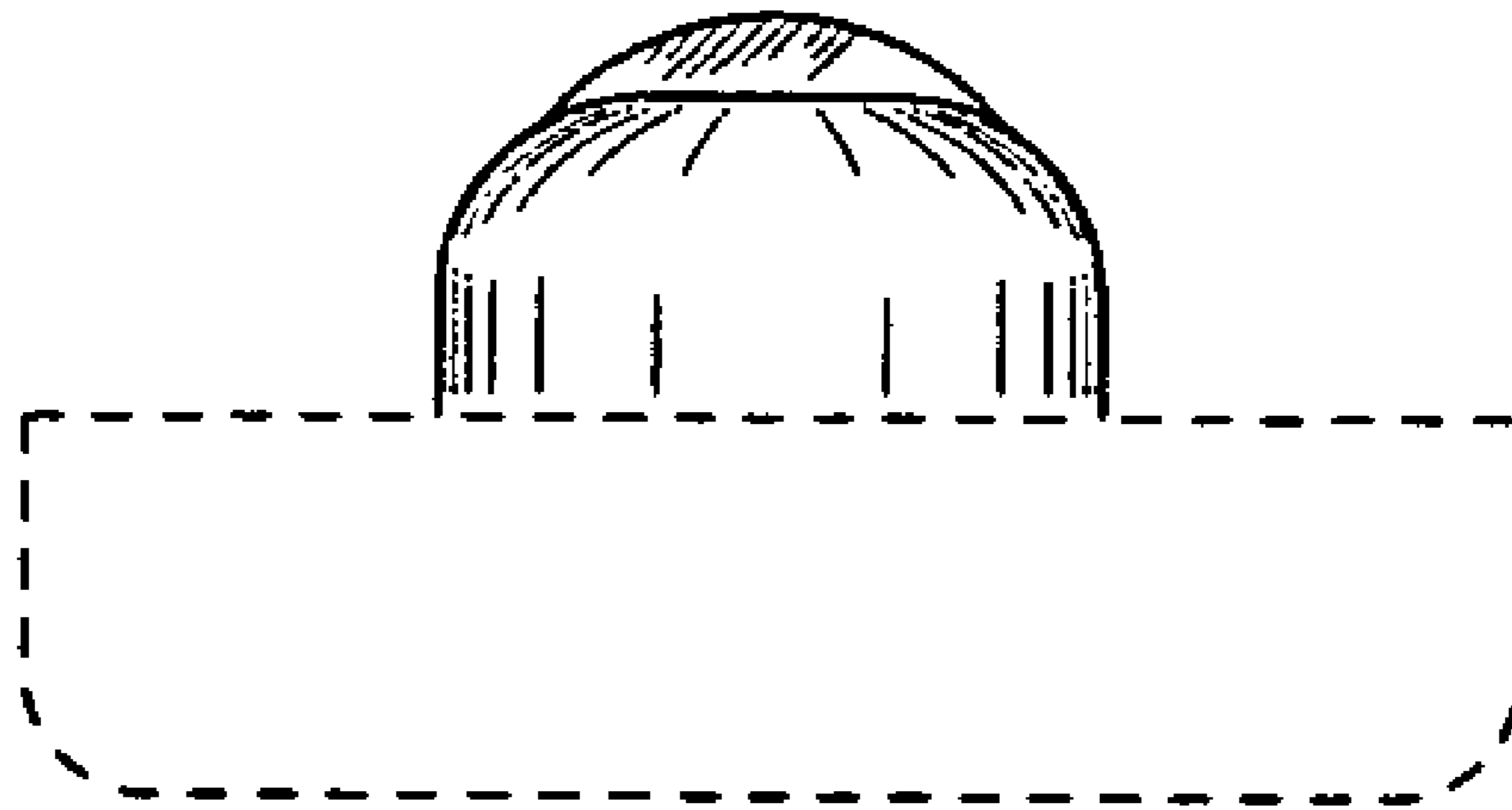


FIG. 2



**FIG. 3**

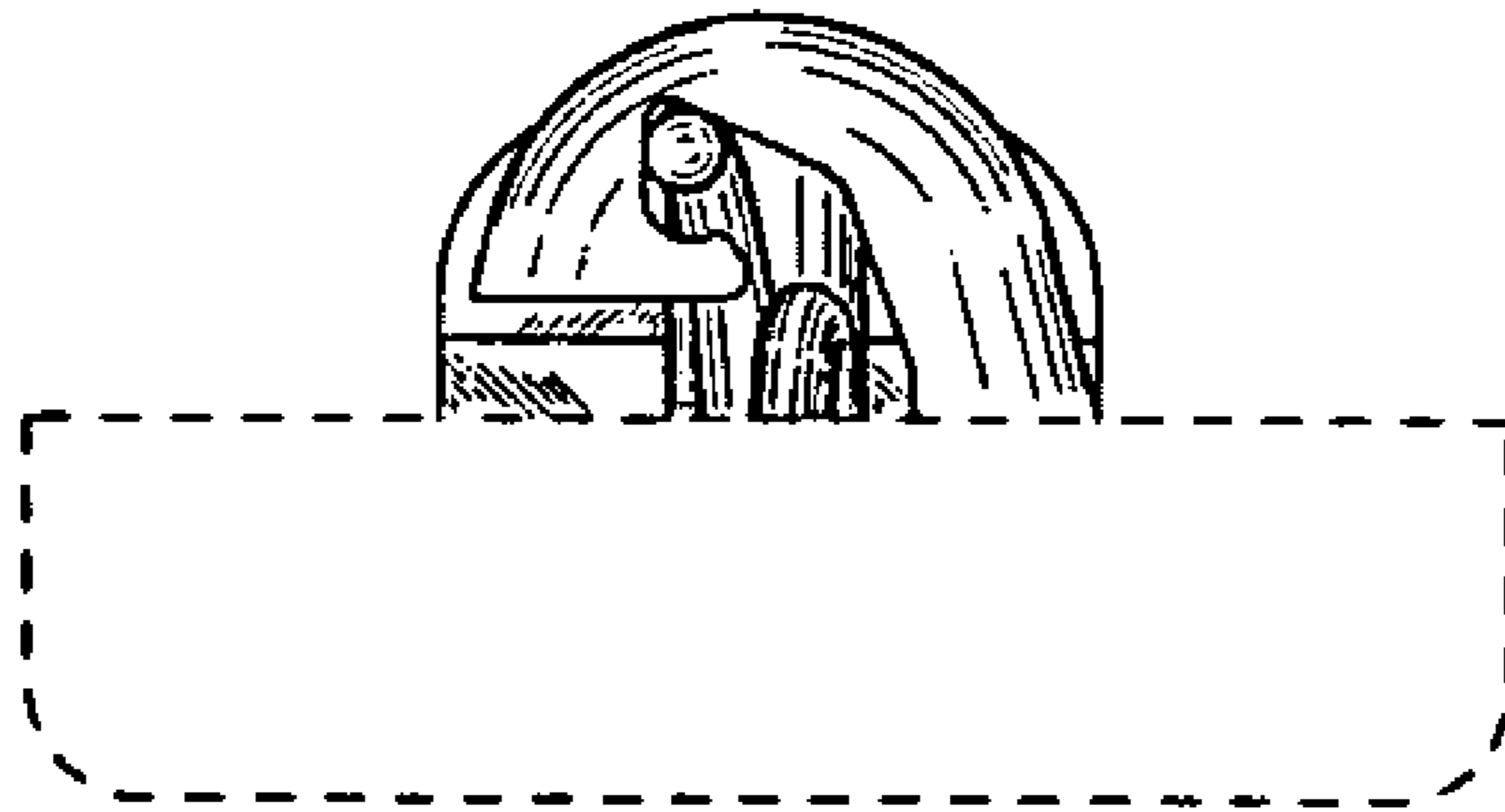


FIG. 4

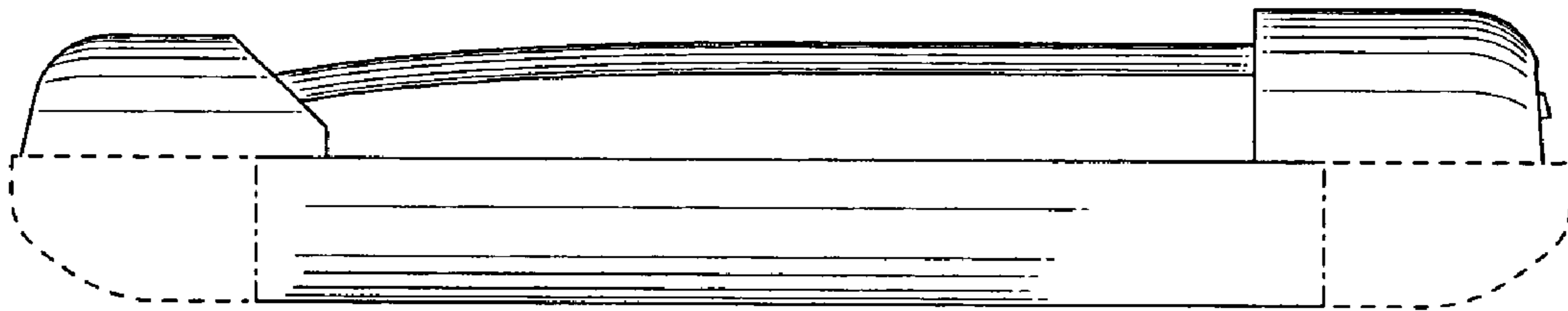


FIG. 5

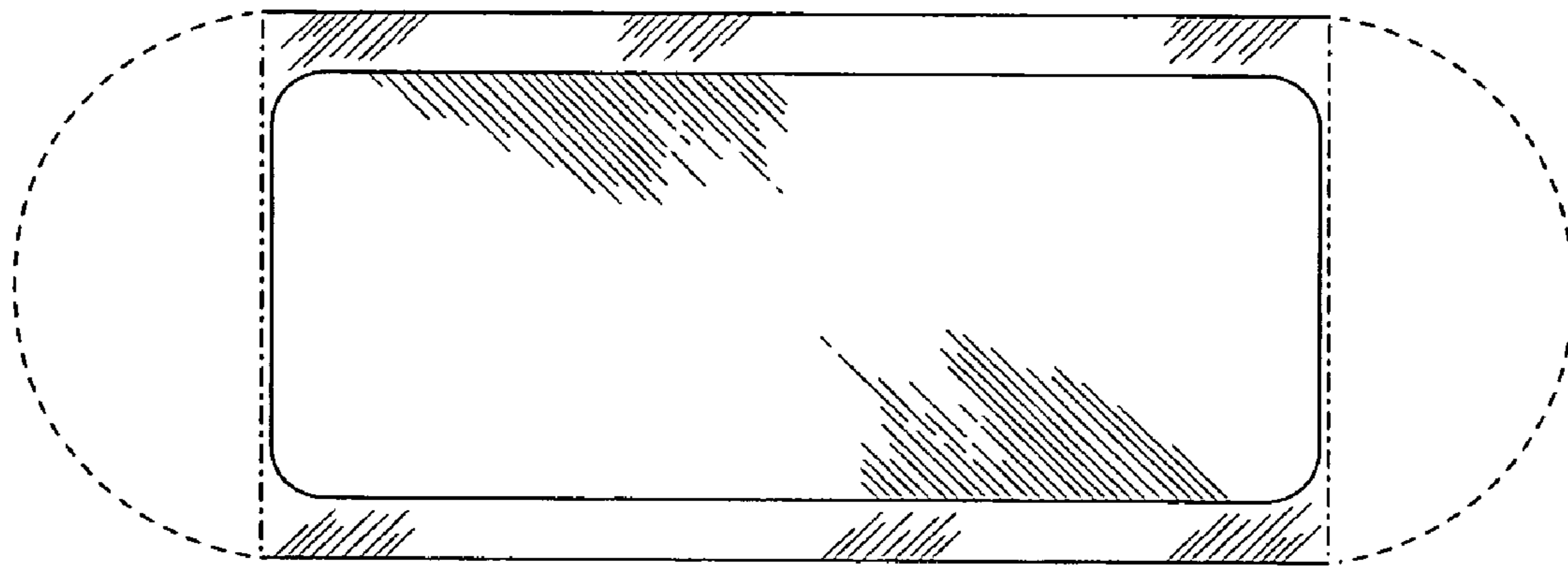


FIG. 6

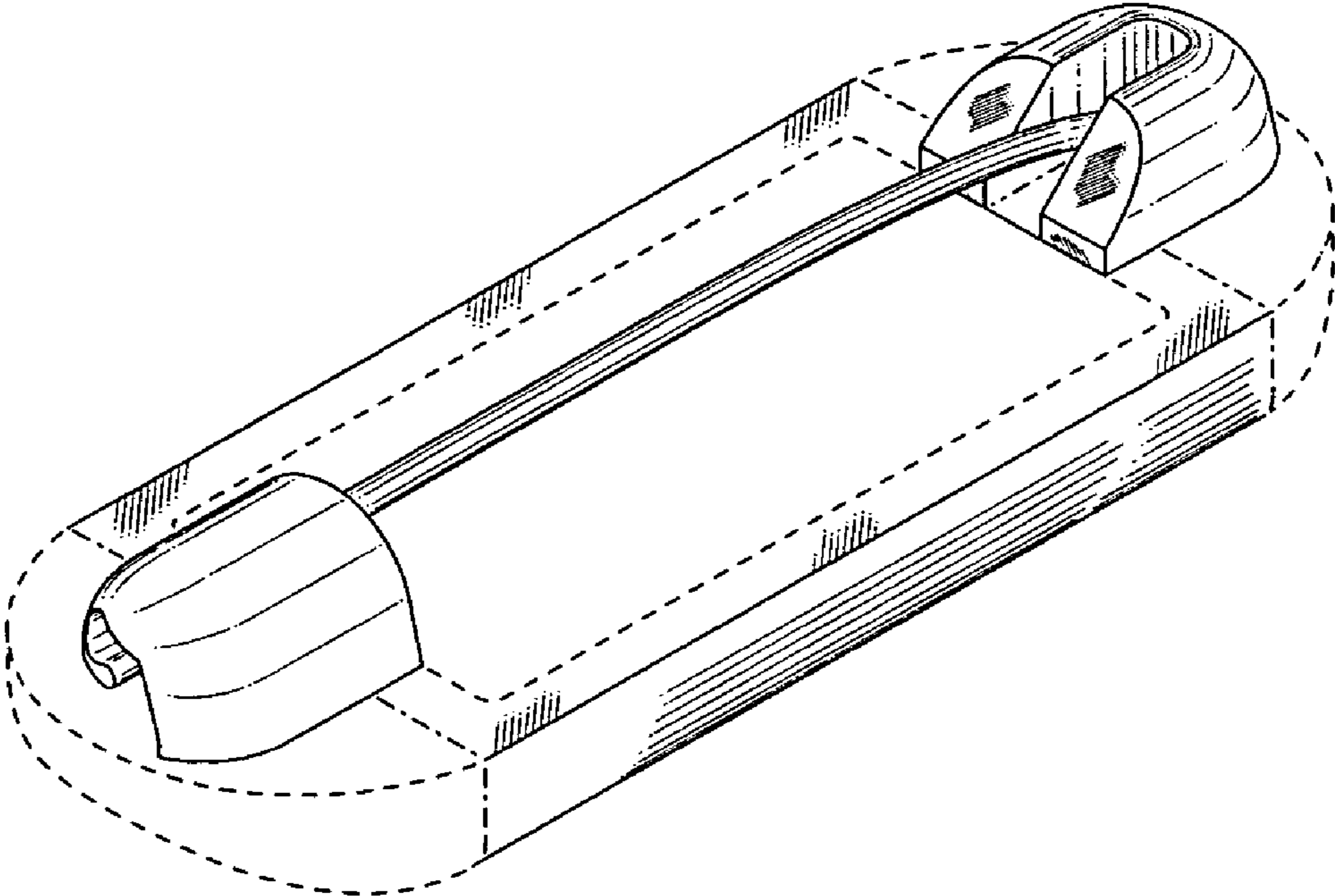


FIG. 7



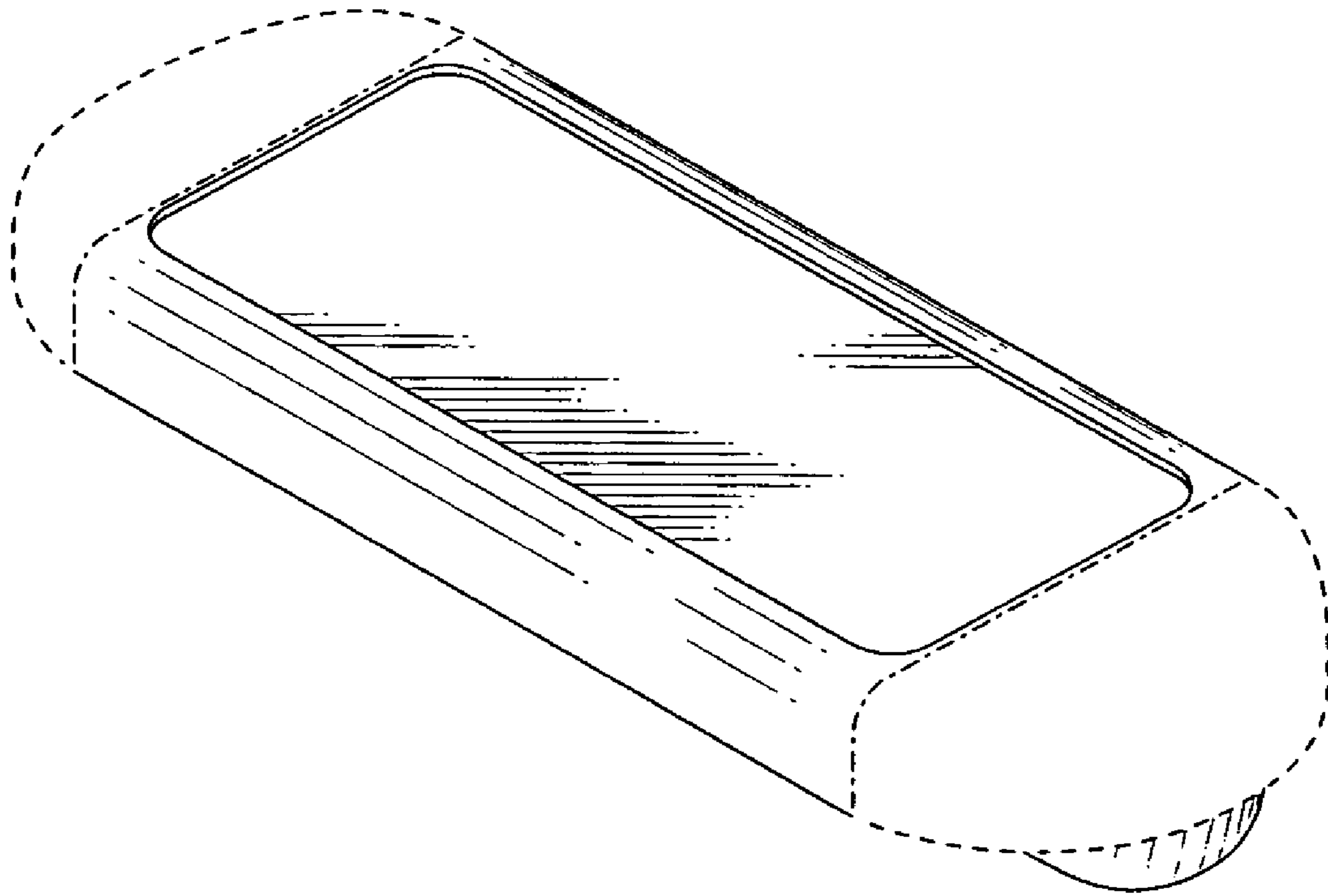


FIG. 8

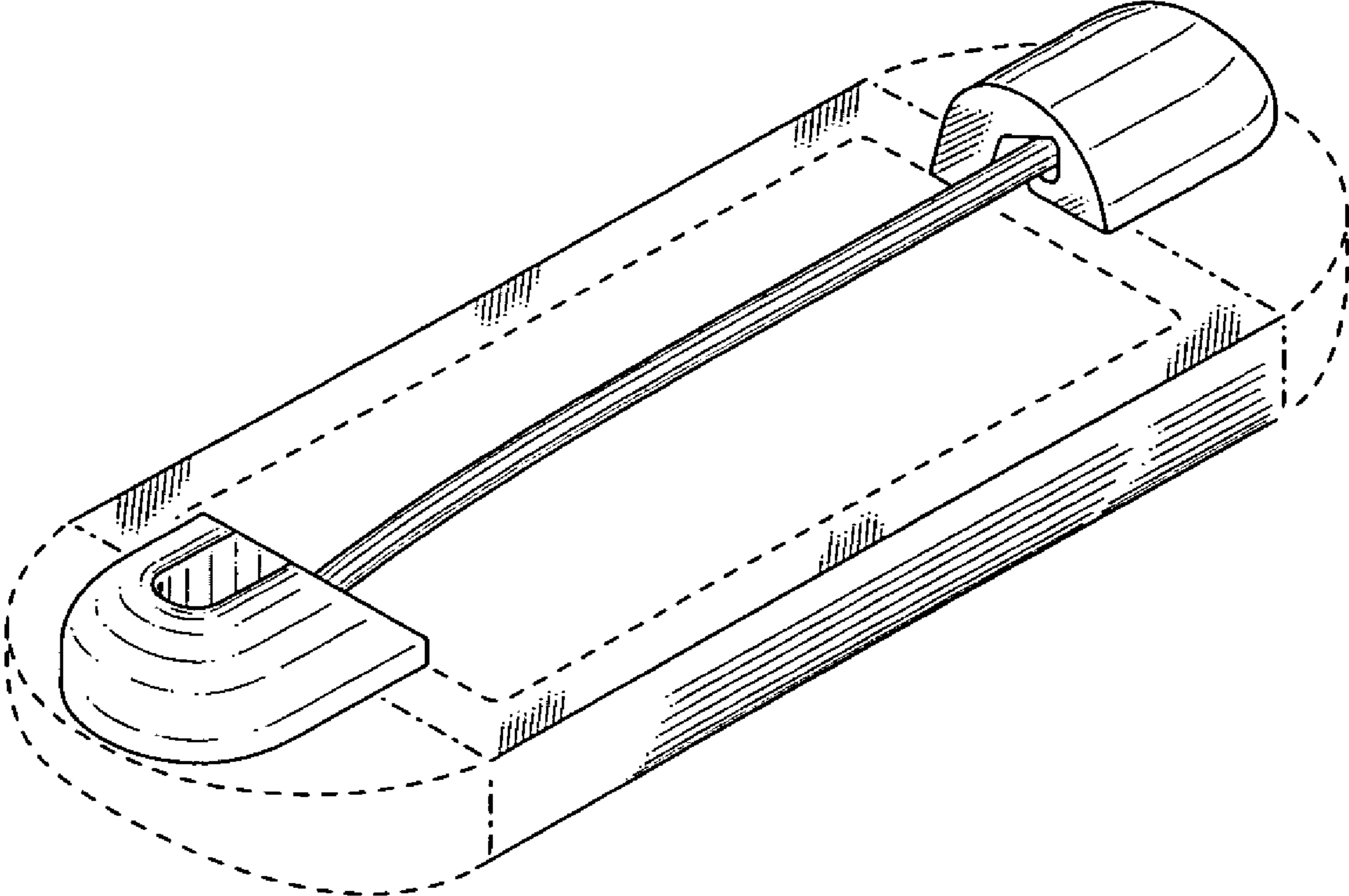


FIG. 9