

US00D573653S

(12) **United States Design Patent**  
**Chen et al.**

(10) **Patent No.:** **US D573,653 S**  
(45) **Date of Patent:** **\*\* Jul. 22, 2008**

(54) **WALL FILE**

D504,469 S \* 4/2005 Chen et al. .... D19/90  
7,188,738 B2 \* 3/2007 Stafford et al. .... 211/72  
D548,282 S \* 8/2007 Chen et al. .... D19/90

(75) Inventors: **Peter Chen**, West Windsor, NJ (US);  
**Jungkun Lee**, Edison, NJ (US)

**OTHER PUBLICATIONS**

(73) Assignee: **Officemate International Corp.**,  
Edison, NJ (US)

Officemate Security Wall File wilid, at www.nextag.com dated Apr. 2, 2007, p. 1.\*  
Officemate Security Wall File wi/Lid, at www.staples.com view Dec. 28, 2007.\*

(\*\*) Term: **14 Years**

\* cited by examiner

(21) Appl. No.: **29/267,598**

*Primary Examiner*—Elizabeth Albert  
*Assistant Examiner*—Karen Eldridge Powers  
(74) *Attorney, Agent, or Firm*—Daniel Kirshner

(22) Filed: **Oct. 18, 2006**

(51) **LOC (8) Cl.** ..... **19-02**

(52) **U.S. Cl.** ..... **D19/90**

(58) **Field of Classification Search** ..... D19/26,  
D19/27, 32, 65, 75, 76, 86, 90, 91, 92, 98,  
D19/99, 100; 206/214, 215, 424, 425, 472,  
206/473, 474, 475; 211/10, 11, 40, 42, 32,  
211/55

(57) **CLAIM**

The ornamental design for a wall file, as shown and described.

See application file for complete search history.

**DESCRIPTION**

FIG. 1 is a front perspective view of a wall file showing the new design;

(56) **References Cited**

**U.S. PATENT DOCUMENTS**

- D59,508 S \* 10/1921 Paulson ..... D19/90
- D154,470 S \* 7/1949 Gieseler ..... D99/33
- D189,169 S \* 11/1960 Blumenthal ..... D99/33
- D282,410 S \* 2/1986 Ekuan ..... D6/635
- D319,344 S \* 8/1991 Turley ..... D6/634
- D322,993 S \* 1/1992 Hobson ..... D19/90
- D324,883 S \* 3/1992 Demirjian ..... D19/90
- D332,971 S \* 2/1993 Evenson ..... D19/90
- D342,366 S \* 12/1993 Breen ..... D99/33
- 5,344,030 A \* 9/1994 Evenson ..... 211/55
- D396,063 S \* 7/1998 Elmer et al. .... D19/75
- D458,640 S \* 6/2002 Hofman ..... D19/90
- D498,264 S \* 11/2004 Chen et al. .... D19/90

FIG. 2 is a front elevational view thereof;

FIG. 3 is a rear elevational view thereof;

FIG. 4 is left side elevational view thereof;

FIG. 5 is a right side elevational thereof;

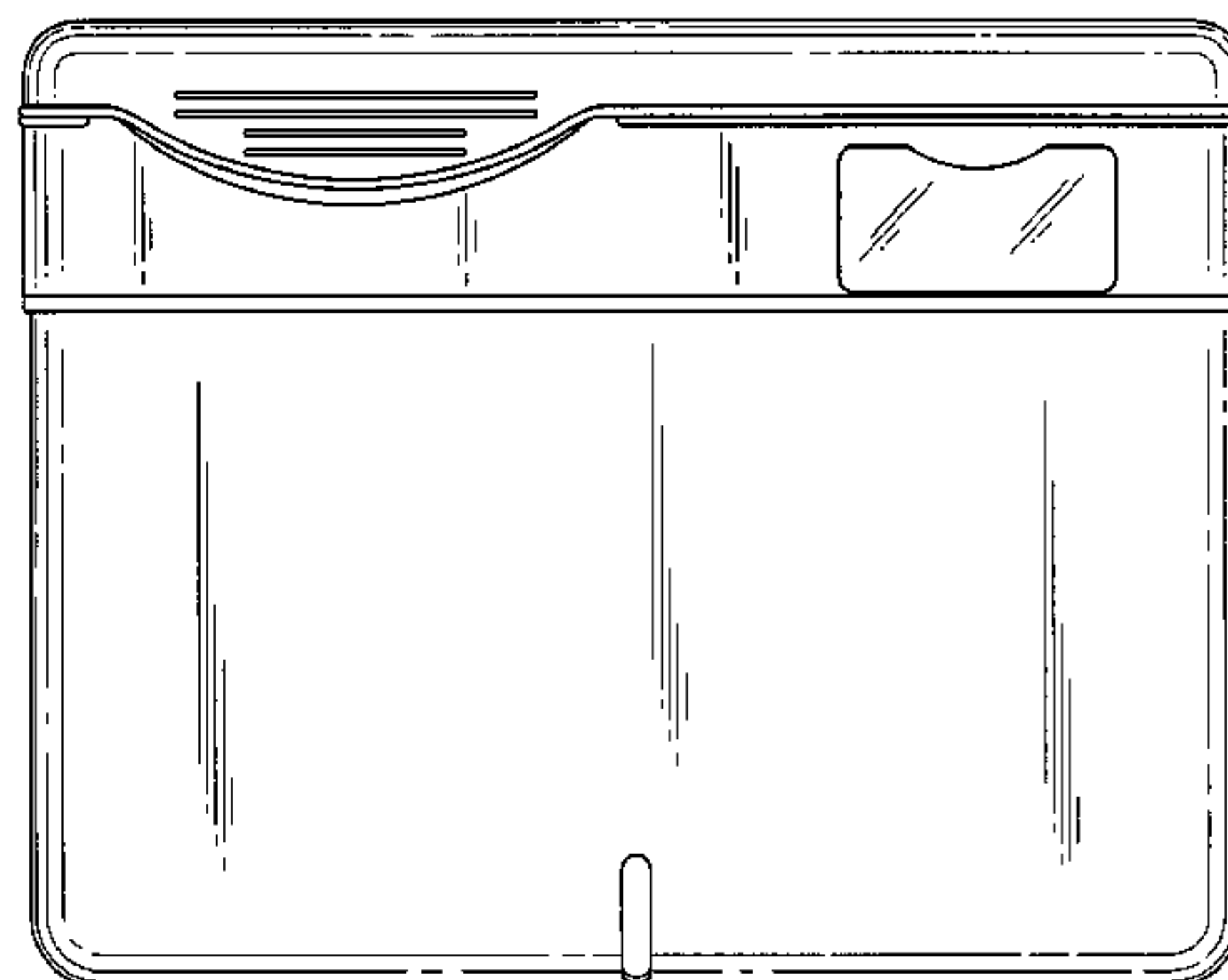
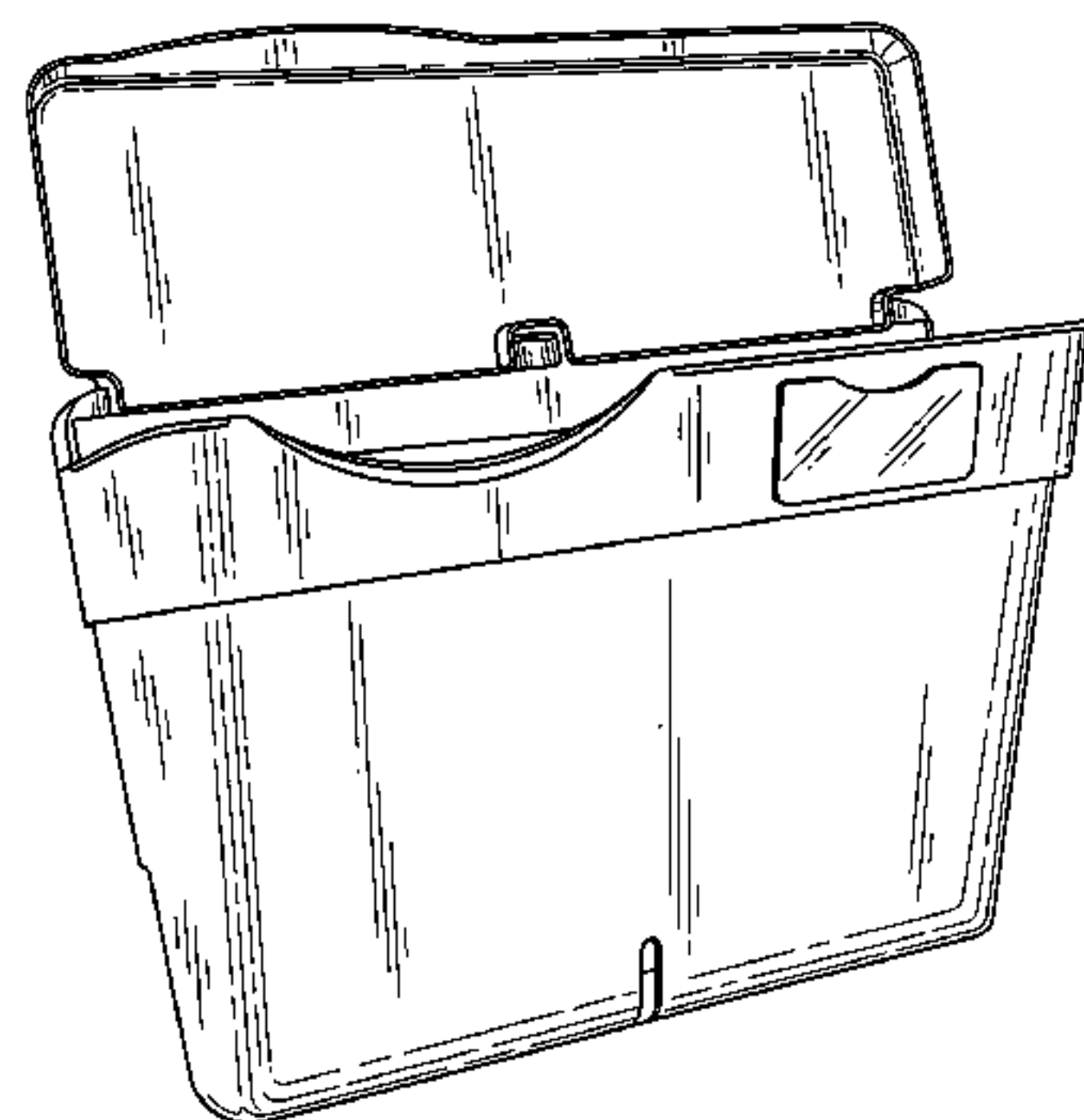
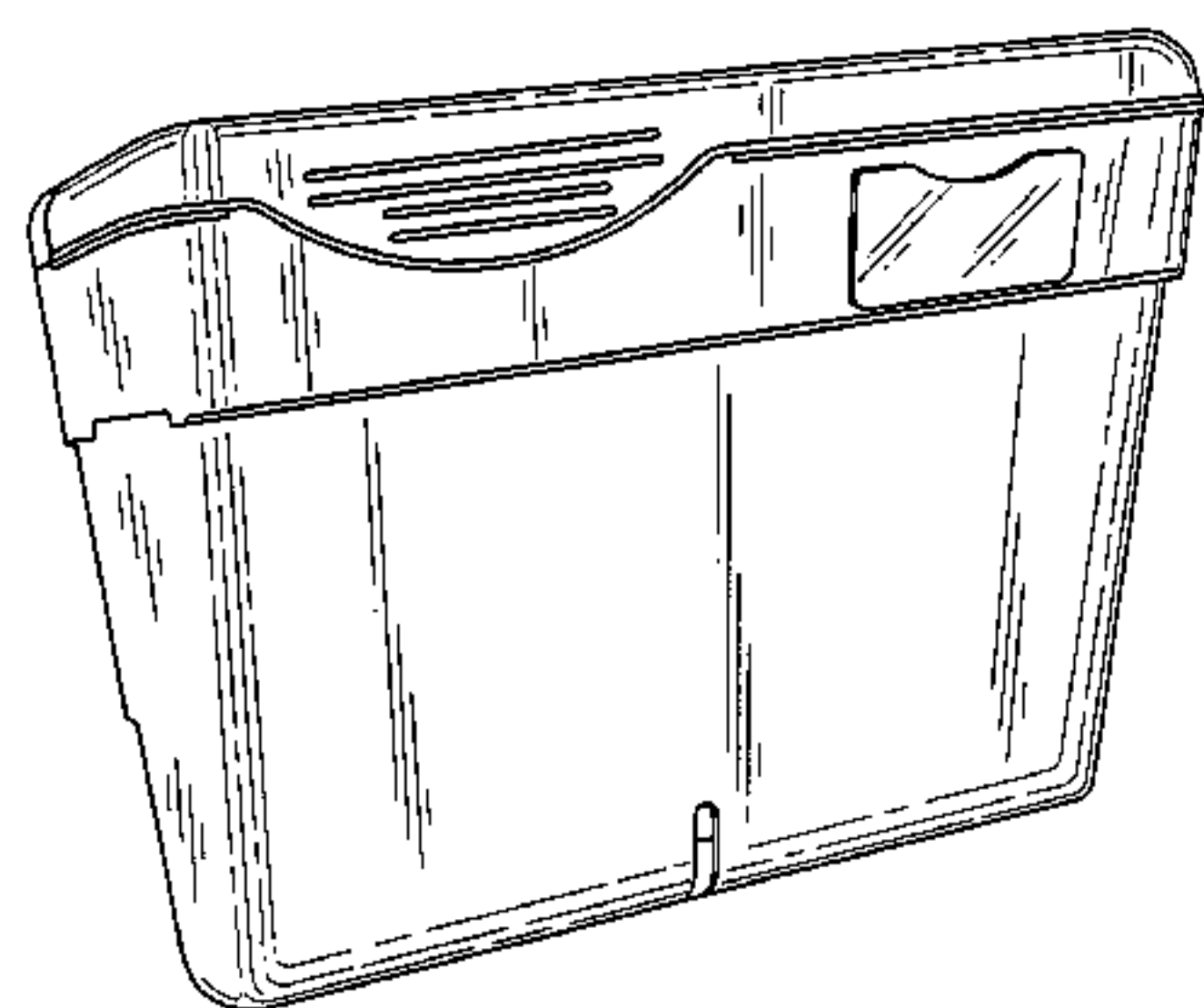
FIG. 6 is a top view thereof showing the lid closed;

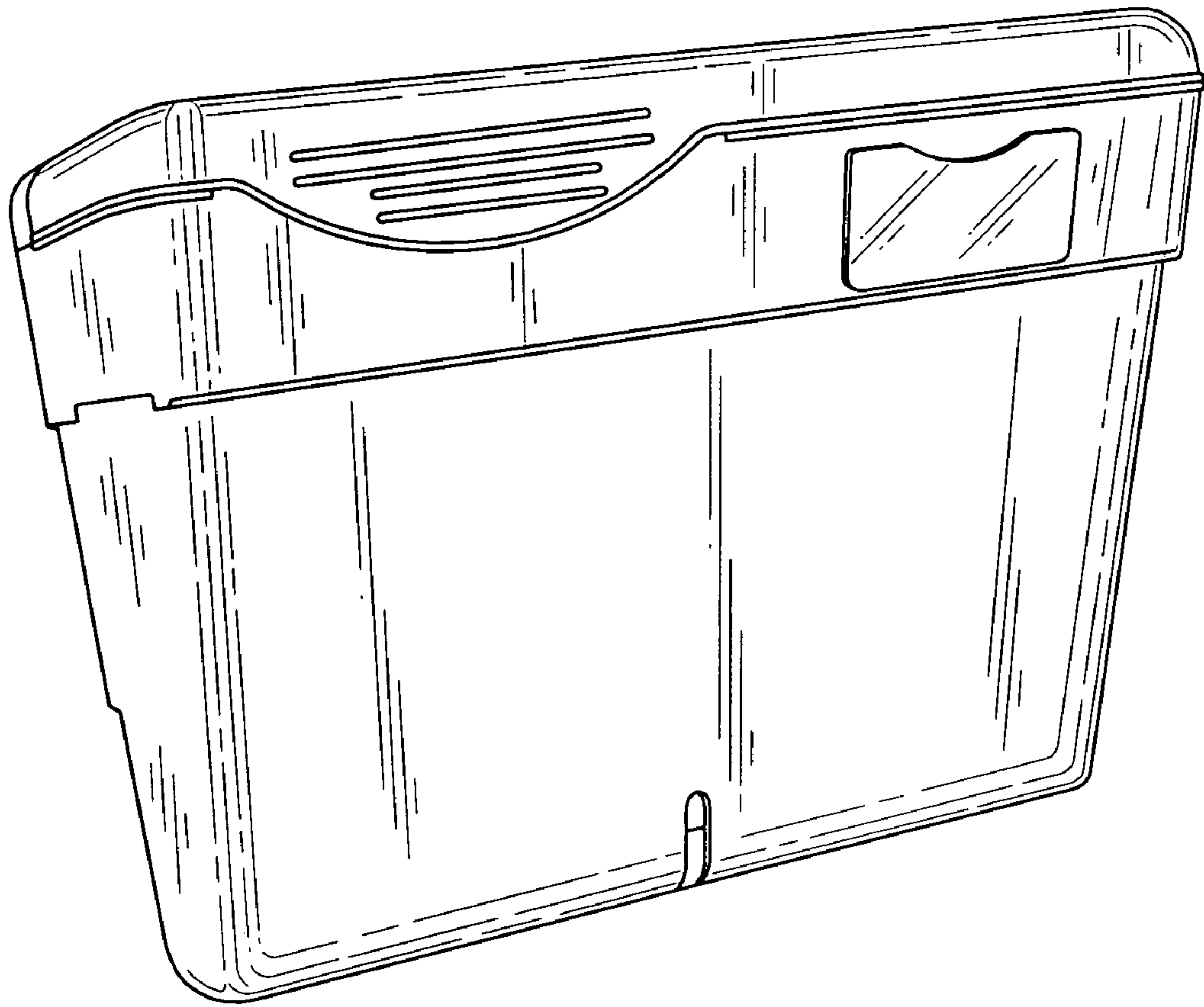
FIG. 7 is a bottom view thereof; and,

FIG. 8 is a front perspective view thereof showing the lid open.

The broken lines showing portions of the features in FIG. 3 illustrate environmental matter, and form no part of the claimed design.

**1 Claim, 8 Drawing Sheets**





*FIG. 1*

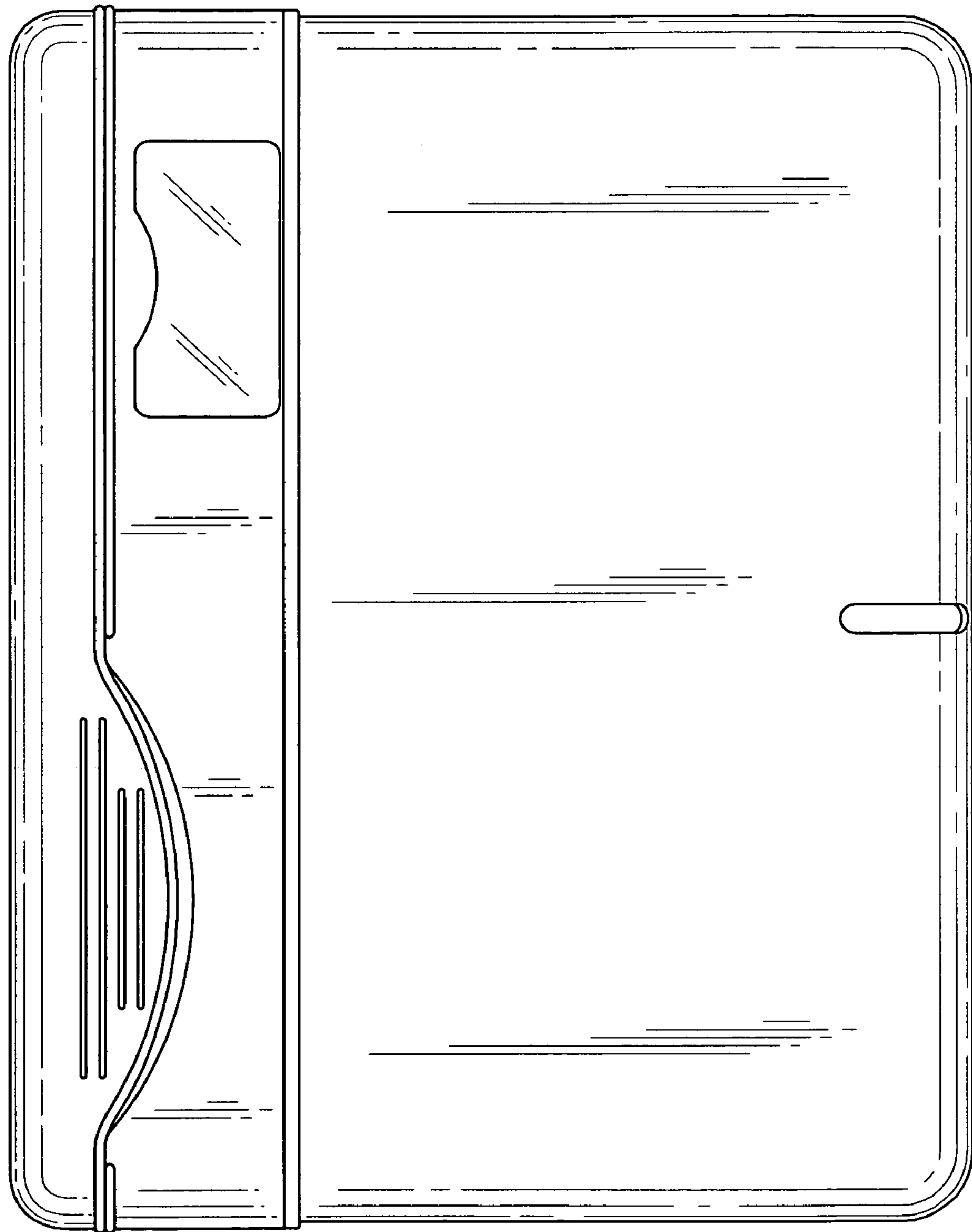


FIG. 2

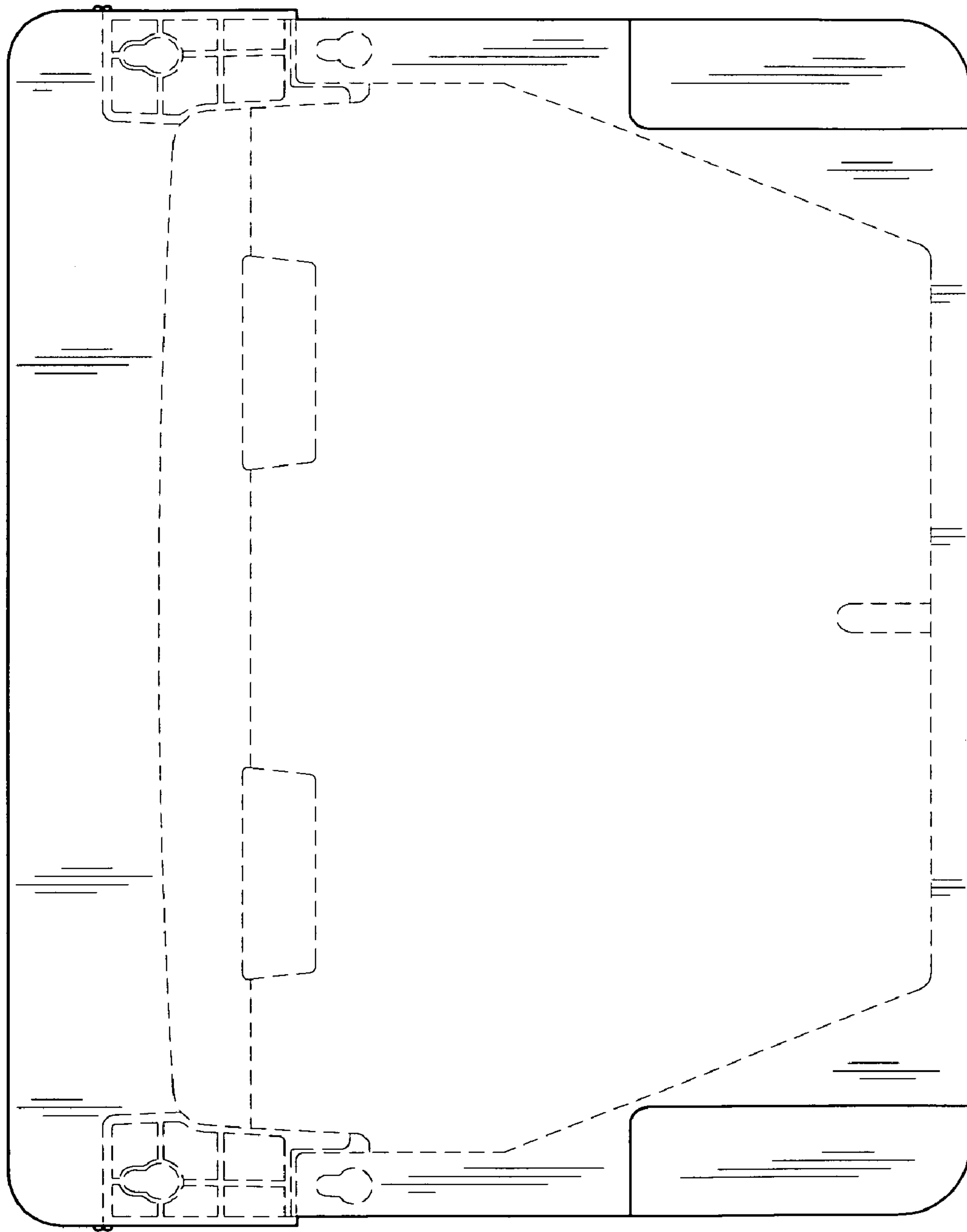
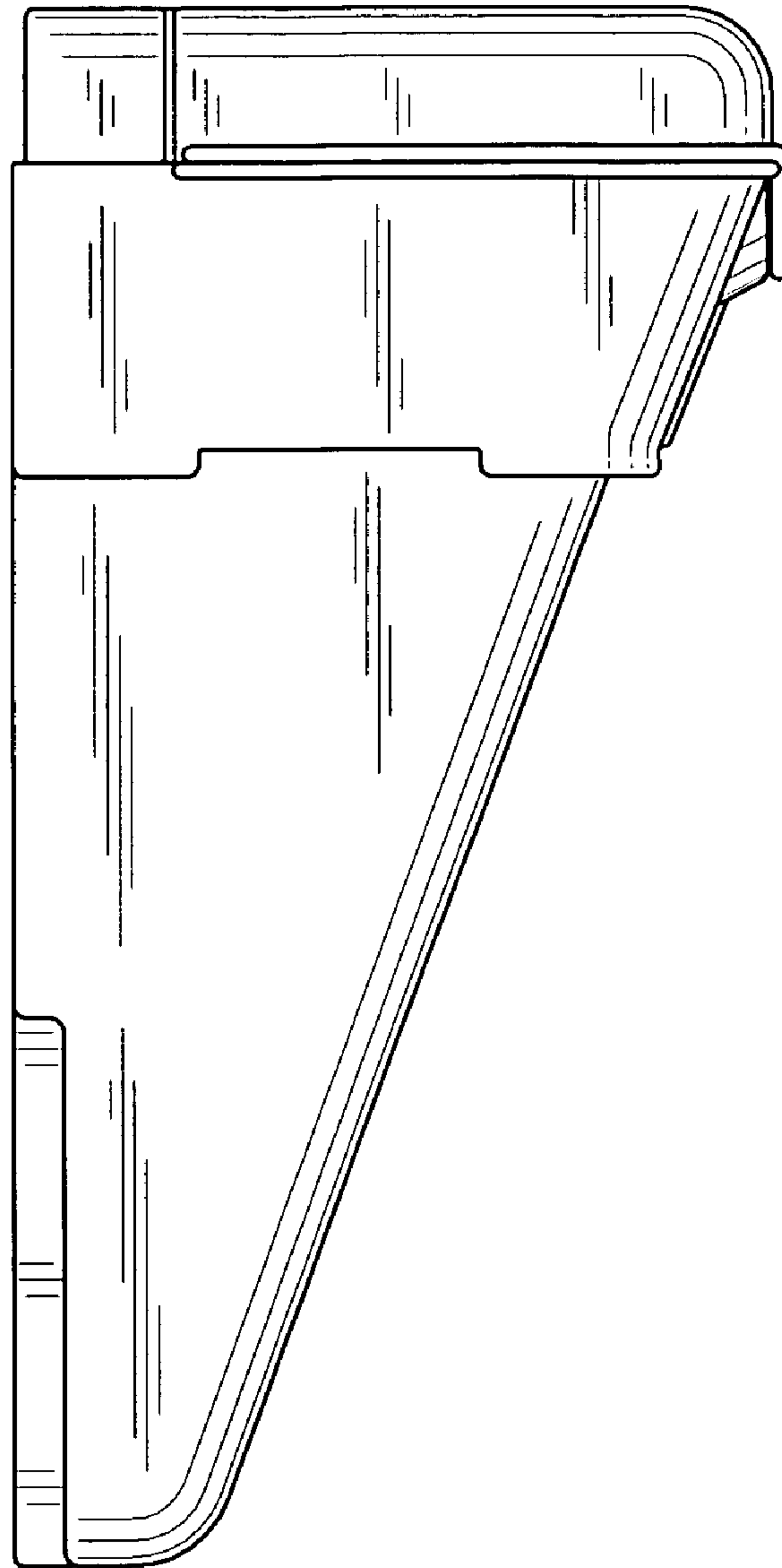
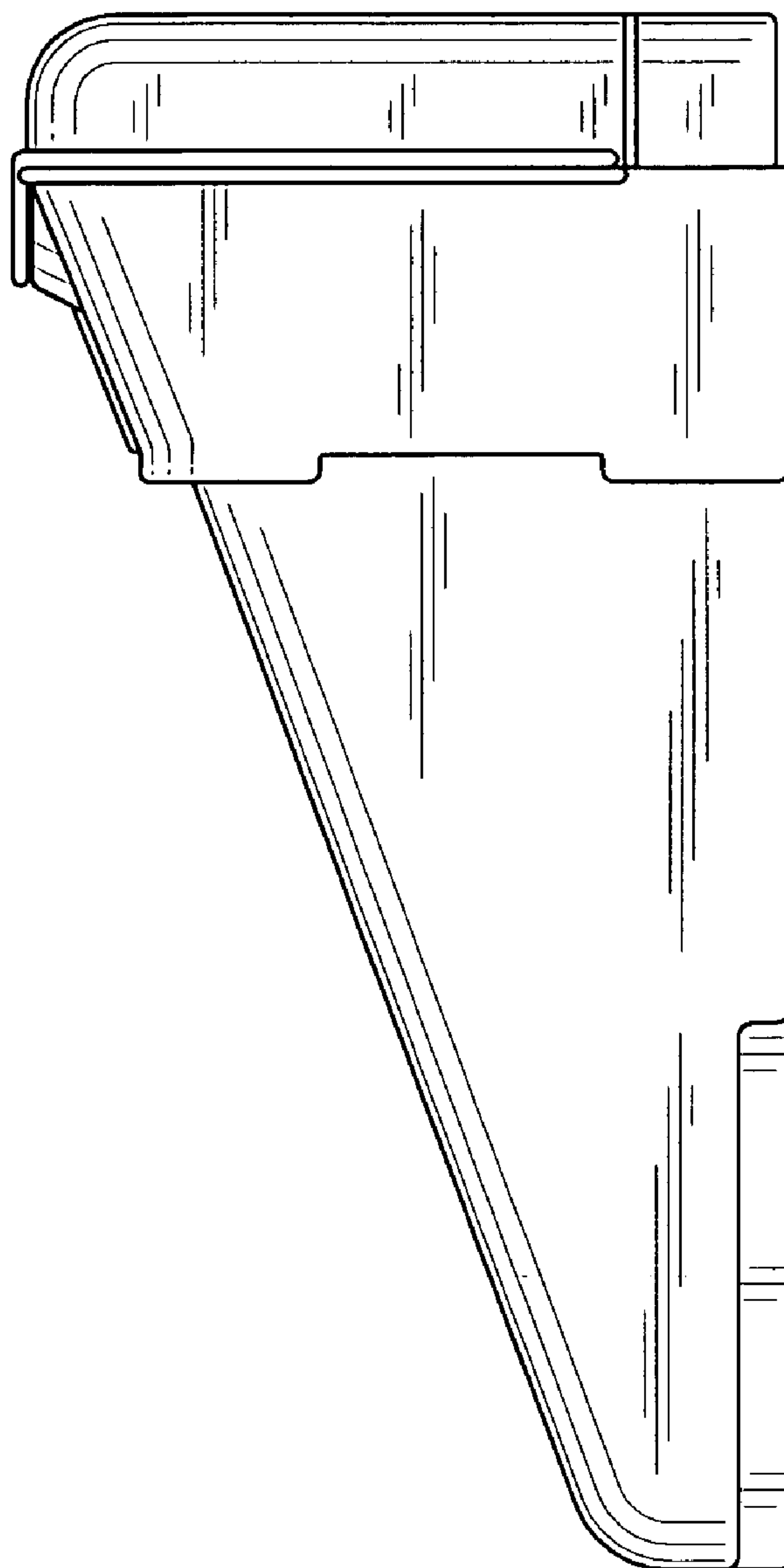


FIG. 3



*FIG. 4*



*FIG. 5*

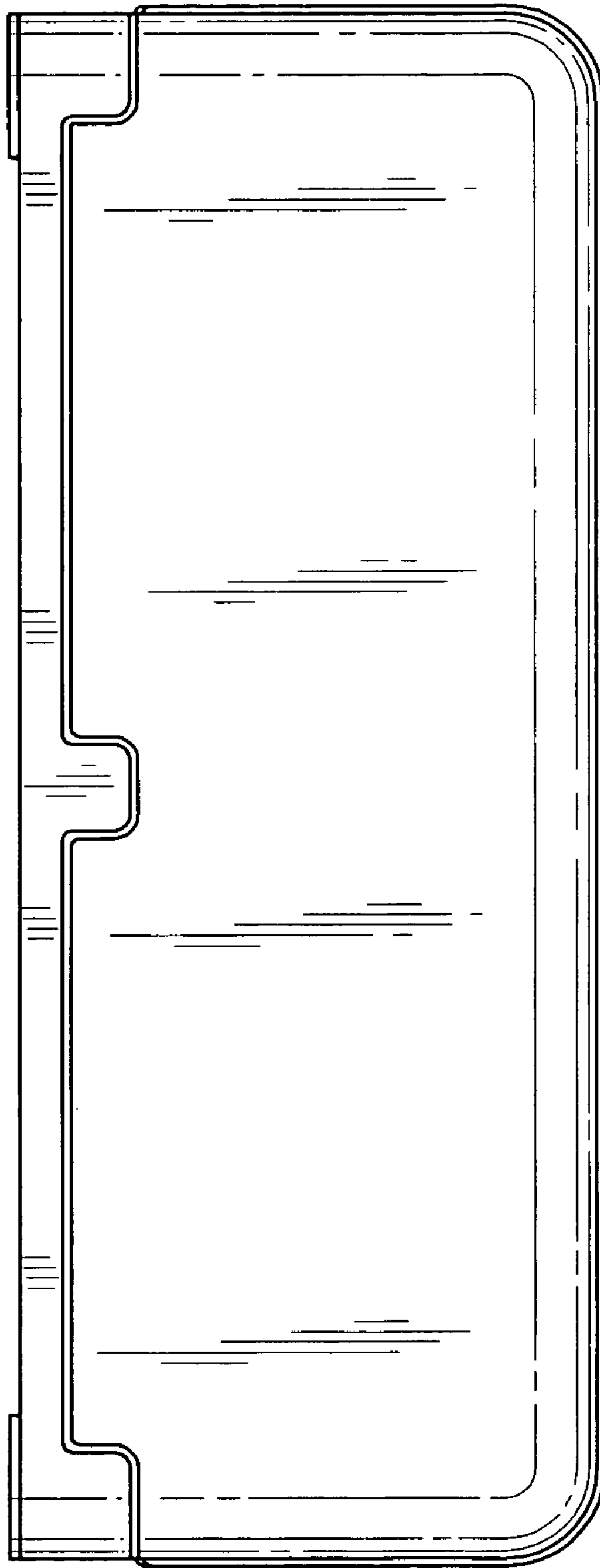


FIG. 6

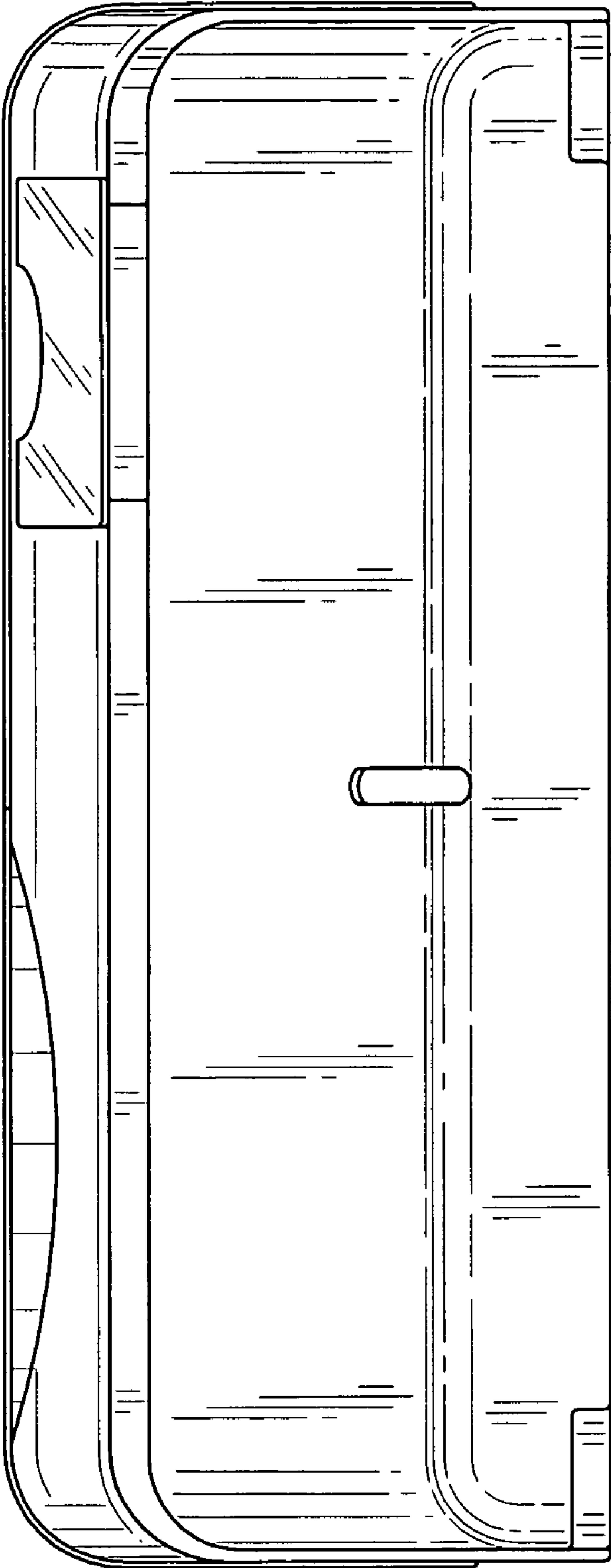
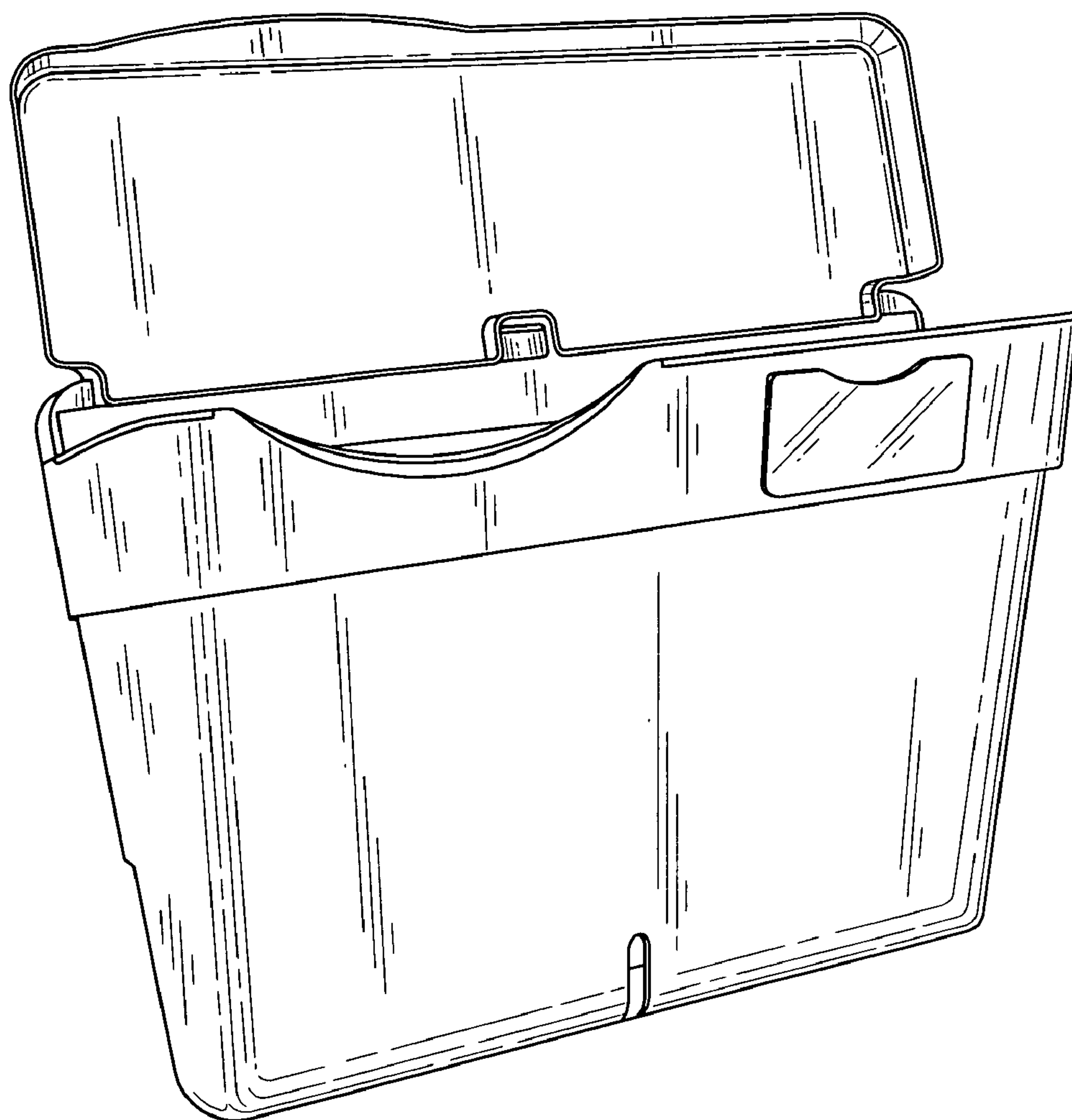


FIG. 7





*FIG. 8*