



US00D573651S

(12) **United States Design Patent**
Jour

(10) **Patent No.:** **US D573,651 S**

(45) **Date of Patent:** **** Jul. 22, 2008**

(54) **MEMO PAPER DISPENSER**

(75) Inventor: **David C. T. Jour**, Taipei (TW)

(73) Assignee: **Kudos Finder Trading Co., Ltd**, Taipei (TW)

(**) Term: **14 Years**

(21) Appl. No.: **29/277,576**

(22) Filed: **Mar. 1, 2007**

(51) **LOC (8) Cl.** **19-06**

(52) **U.S. Cl.** **D19/78**

(58) **Field of Classification Search** D19/35,
D19/36, 65, 75, 77, 78, 81, 82, 83, 84, 85,
D19/86, 91, 92, 95, 96, 99, 100, 21; 118/249,
118/264, 325; 221/210, 213, 259; 226/128,
226/131

See application file for complete search history.

(56) **References Cited**

U.S. PATENT DOCUMENTS

- D267,959 S * 2/1983 Cheung D19/78
- D269,791 S * 7/1983 Chatham D19/77
- D276,092 S * 10/1984 Leo D99/34
- D287,862 S * 1/1987 Hauser et al. D19/78
- D296,794 S * 7/1988 Leithauser D19/78
- 4,919,276 A * 4/1990 Kim et al. 211/126.14

- D322,990 S * 1/1992 Samuelson D19/78
- D328,099 S * 7/1992 Williams D19/75
- D333,488 S * 2/1993 Kirchner D19/78
- D337,351 S * 7/1993 Chern D19/75
- D385,920 S * 11/1997 Tisbo D19/75
- D501,033 S * 1/2005 Jour D19/78
- D509,249 S * 9/2005 Nelson et al. D19/75

* cited by examiner

Primary Examiner—Cathron Brooks
Assistant Examiner—Austin Murphy

(57) **CLAIM**

The ornamental design for a memo paper dispenser, as shown and described.

DESCRIPTION

FIG. 1 is a front elevational view of a memo paper dispenser showing my new design;

FIG. 2 is a rear elevational view thereof;

FIG. 3 is a left side elevational view thereof;

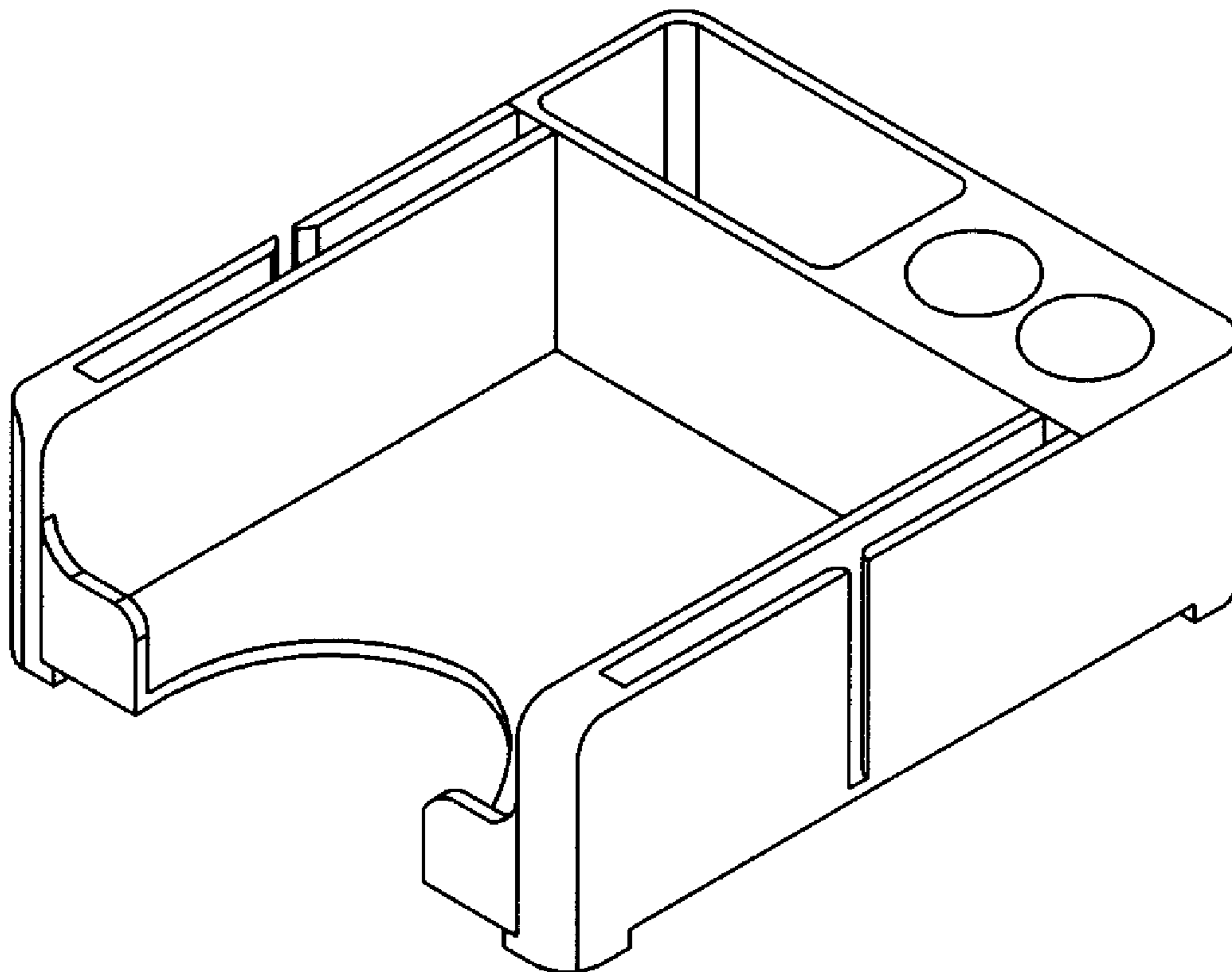
FIG. 4 is a right side elevational view thereof;

FIG. 5 is a top plan view thereof;

FIG. 6 is a bottom plan view thereof; and,

FIG. 7 is a perspective view thereof.

1 Claim, 4 Drawing Sheets



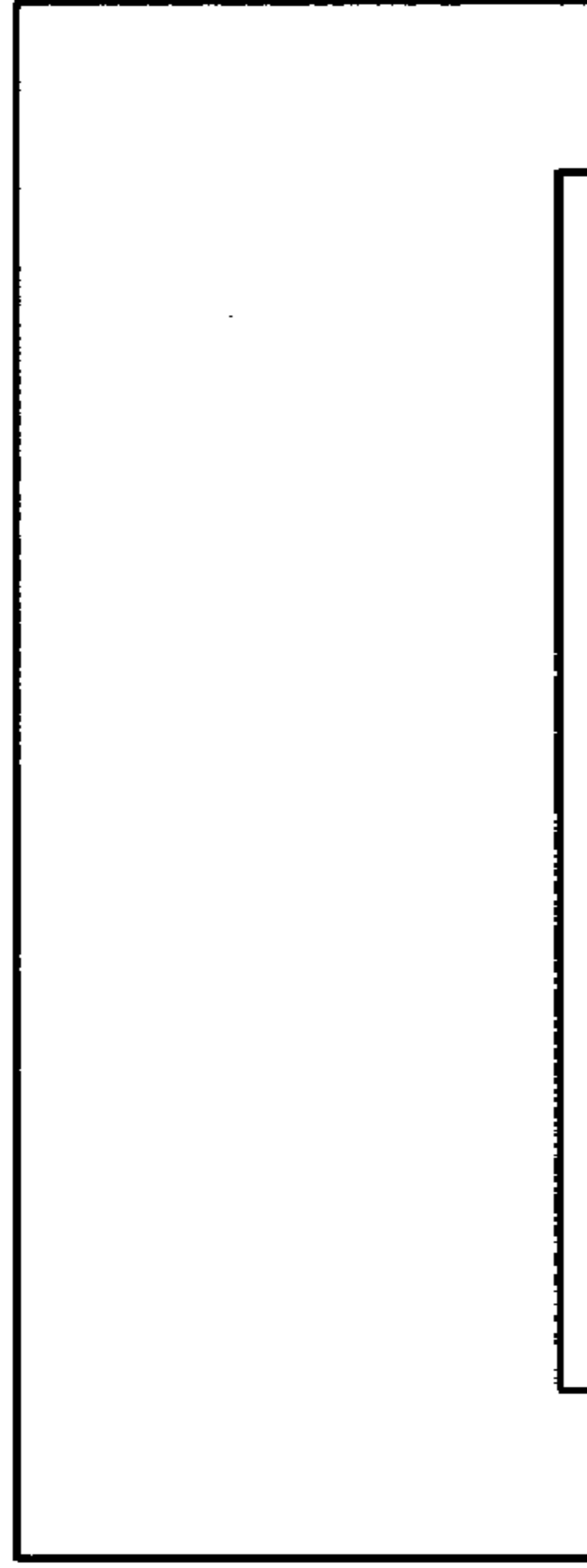


Fig. 2

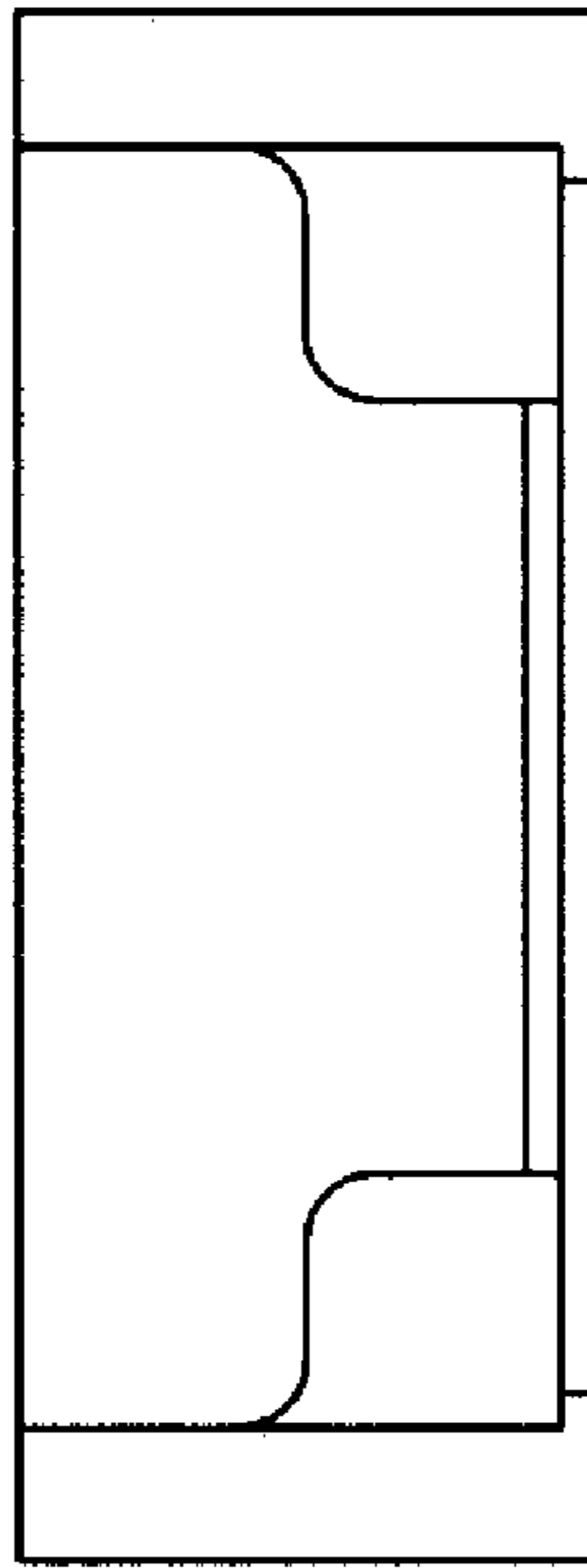


Fig. 1

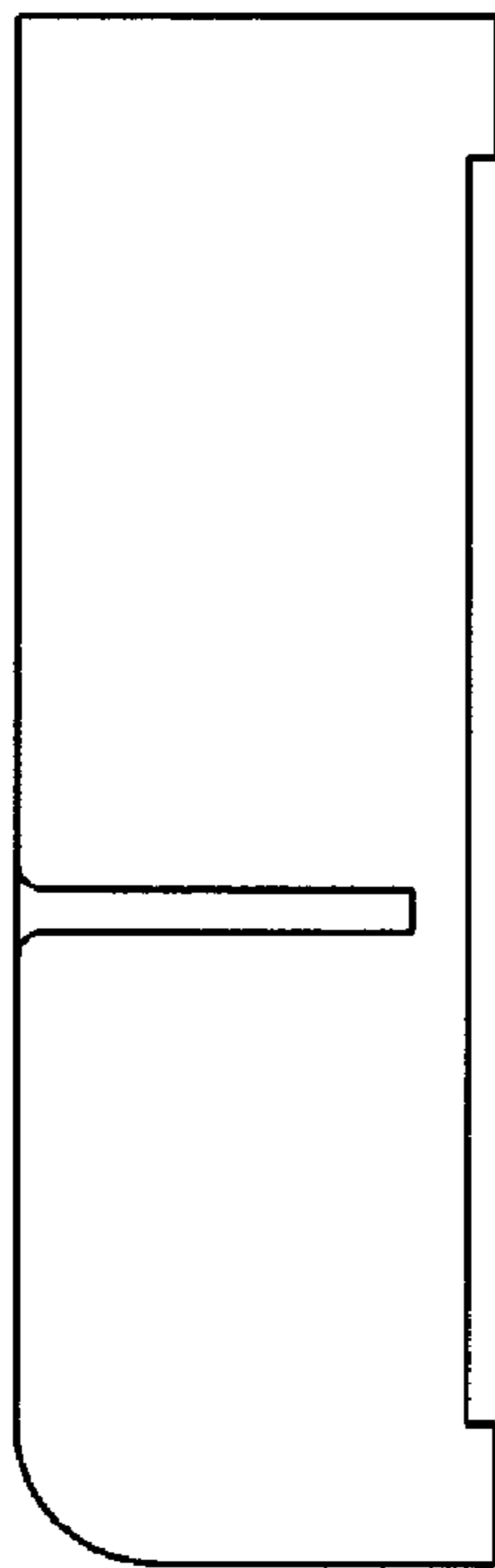


Fig. 3

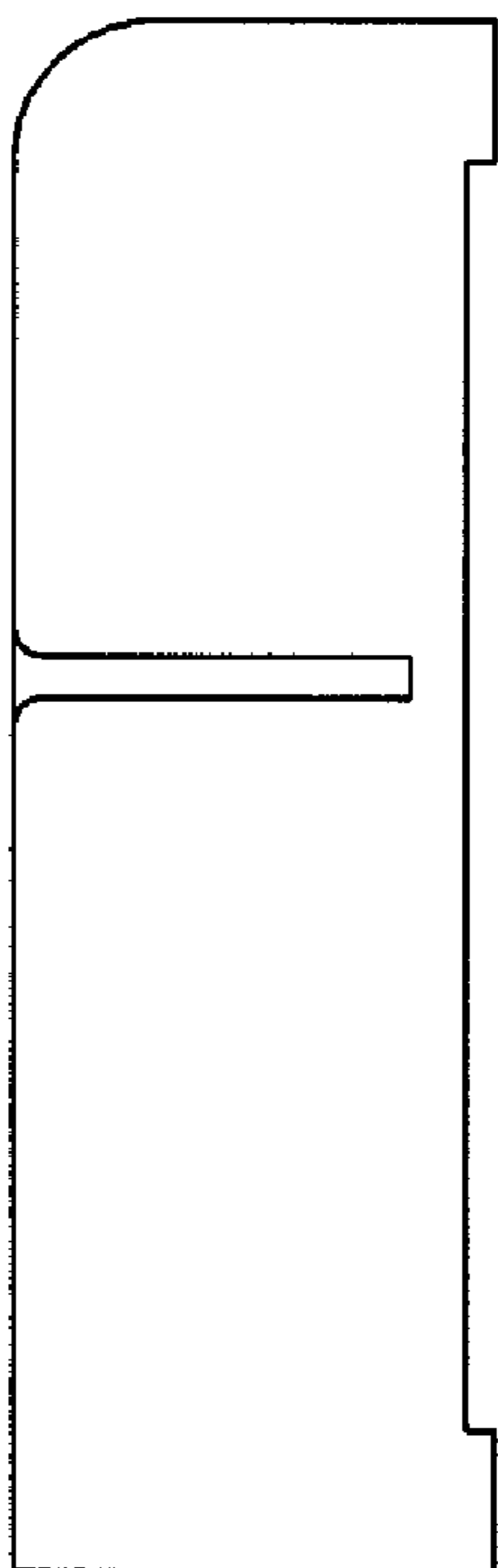


Fig. 4

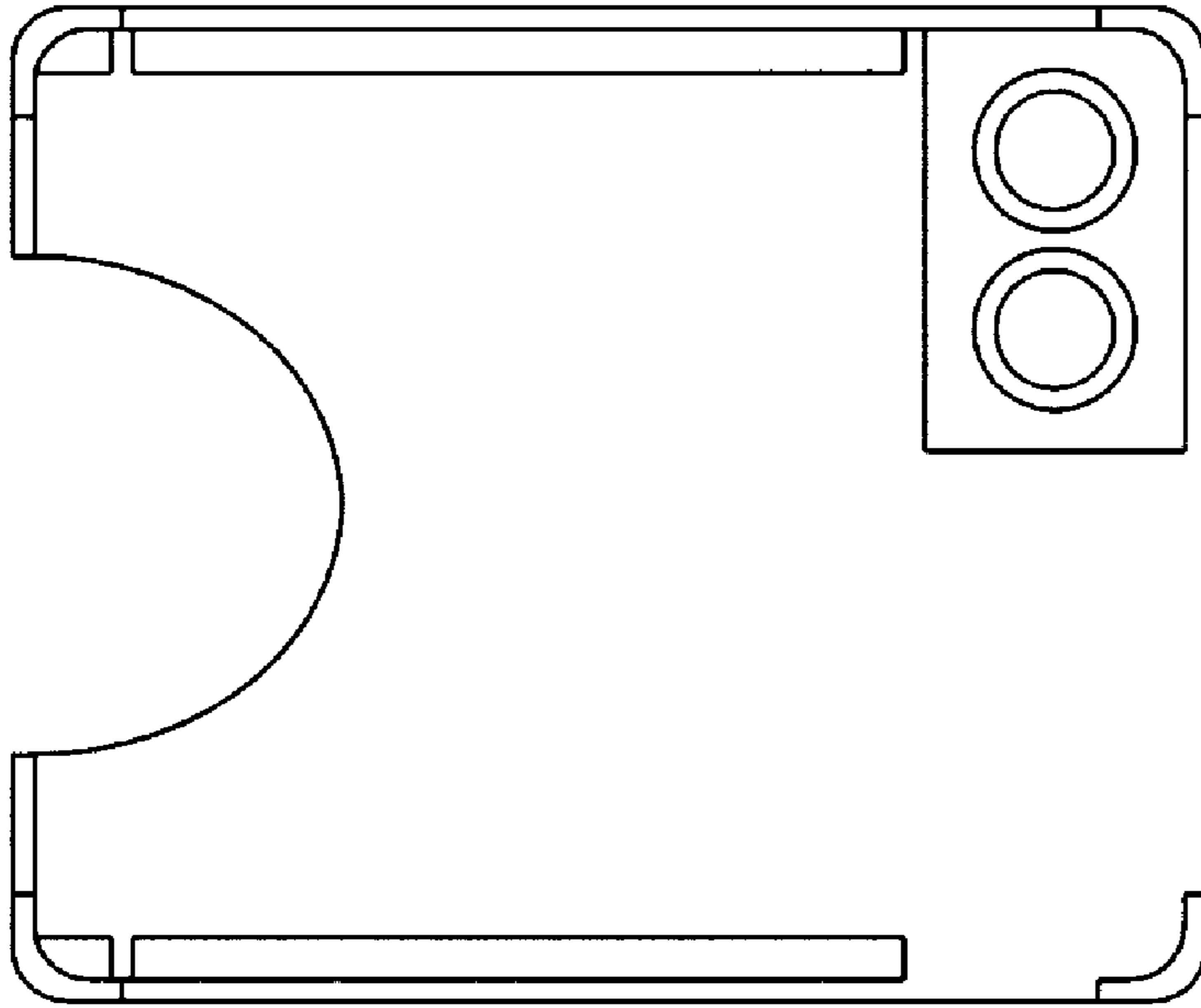


Fig. 6

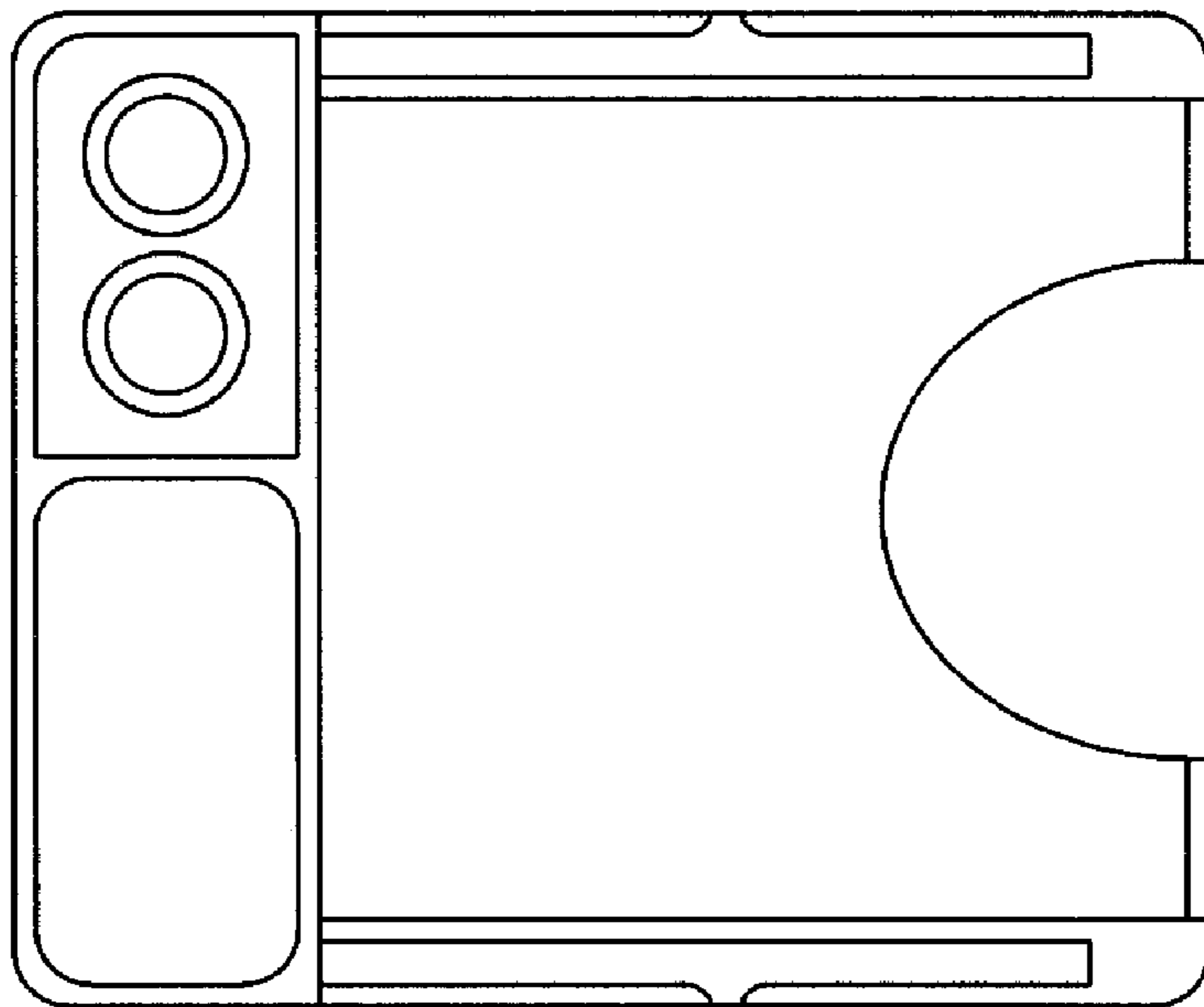


Fig. 5

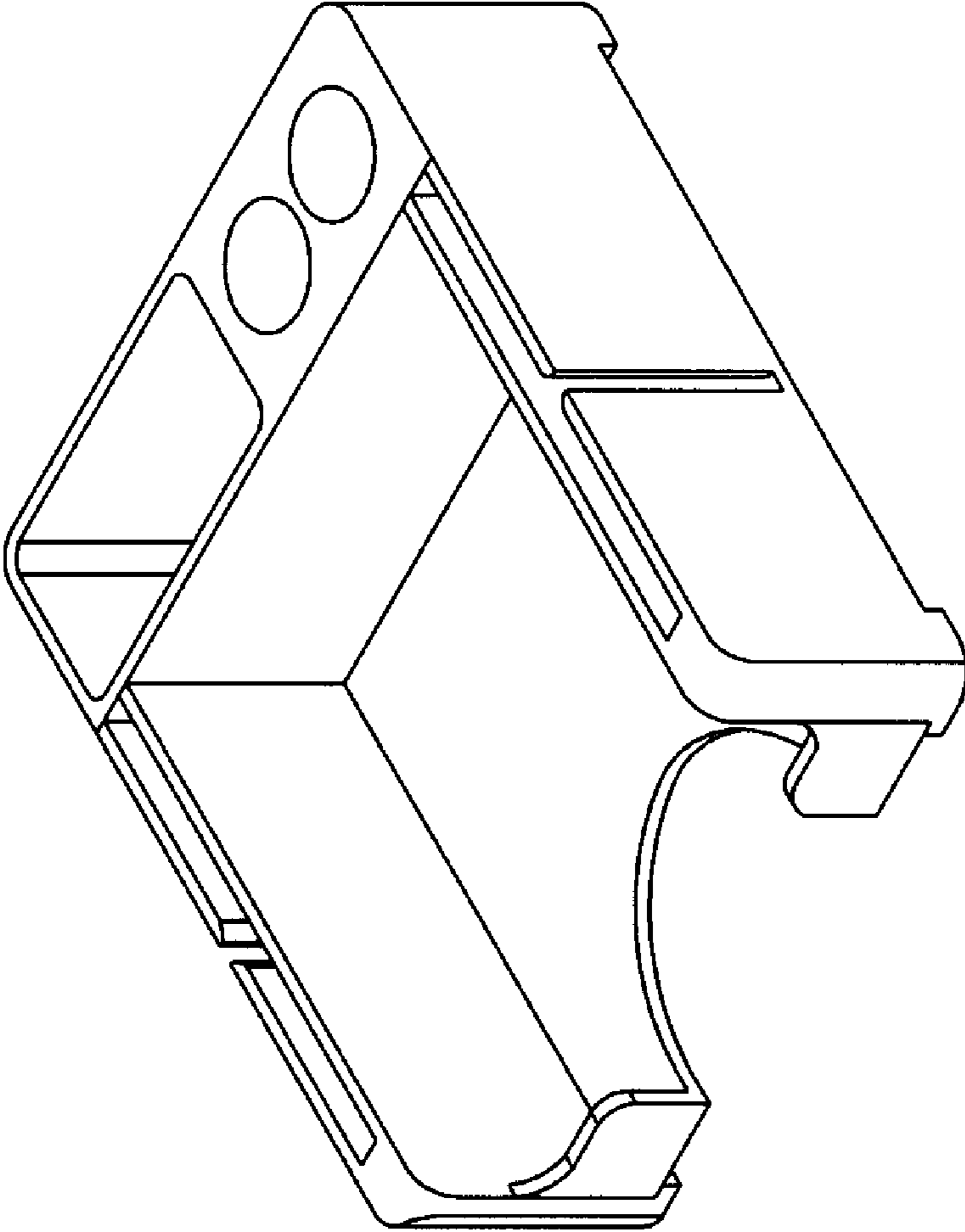


Fig. 7