



US00D573649S

(12) **United States Design Patent**
Chen et al.

(10) **Patent No.:** **US D573,649 S**
(45) **Date of Patent:** **** Jul. 22, 2008**

(54) **PAPER PUNCH**

2003/0121384 A1* 7/2003 Lin 83/622
2006/0278056 A1* 12/2006 Chen et al. 83/588

(75) Inventors: **Peter Chen**, West Windsor, NJ (US);
Jungkun Lee, Edison, NJ (US); **Kevin Hui-Lien Lee**, East Brunswick, NJ (US)

FOREIGN PATENT DOCUMENTS

GB 2104539 * 5/2002
GB 3007472 * 10/2002
GB 3014747 * 11/2003
WO DM/064492 * 10/2003

(73) Assignee: **Officemate International Corp.**,
Edison, NJ (US)

* cited by examiner

(**) Term: **14 Years**

Primary Examiner—Karen E Eldridge Powers
(74) *Attorney, Agent, or Firm*—Daniel Kirshner

(21) Appl. No.: **29/293,821**

(22) Filed: **Dec. 13, 2007**

(57) **CLAIM**

Related U.S. Application Data

The ornamental design for a paper punch, as shown and described.

(63) Continuation of application No. 29/244,100, filed on Dec. 5, 2005, now abandoned.

DESCRIPTION

(51) **LOC (8) Cl.** **19-02**

FIG. 1 is a front perspective view of a paper punch showing the new design;

(52) **U.S. Cl.** **D19/72**

FIG. 2 is a rear elevational view thereof;

(58) **Field of Classification Search** D19/65,

FIG. 3 is a front elevational view thereof;

D19/72, 73, 74, 95, 99, 100; D8/49, 50,

FIG. 4 is right side elevational view thereof;

D8/51, 98, 105, 88; 83/167, 465, 467, 550,

FIG. 5 is a left side elevational view thereof;

83/560, 588, 618, 627, 633; 30/289, 294,

FIG. 6 is a top view thereof;

30/DIG. 3, 358, 363, 364, 278

FIG. 7 is a bottom view thereof; and,

See application file for complete search history.

FIG. 8 is a front perspective view thereof in an exploded condition.

(56) **References Cited**

U.S. PATENT DOCUMENTS

D132,970 S * 7/1942 Budlong D19/72
D167,520 S * 8/1952 Marano D19/72
4,713,995 A * 12/1987 Davi 83/167
D467,618 S * 12/2002 Gstalder D19/72
D477,028 S * 7/2003 Huang D19/72
D496,071 S * 9/2004 Huang D19/72

The shading shown on the feet is intended to represent texture.

Features that are shown in the Figures as broken lines are unclaimed.

1 Claim, 8 Drawing Sheets

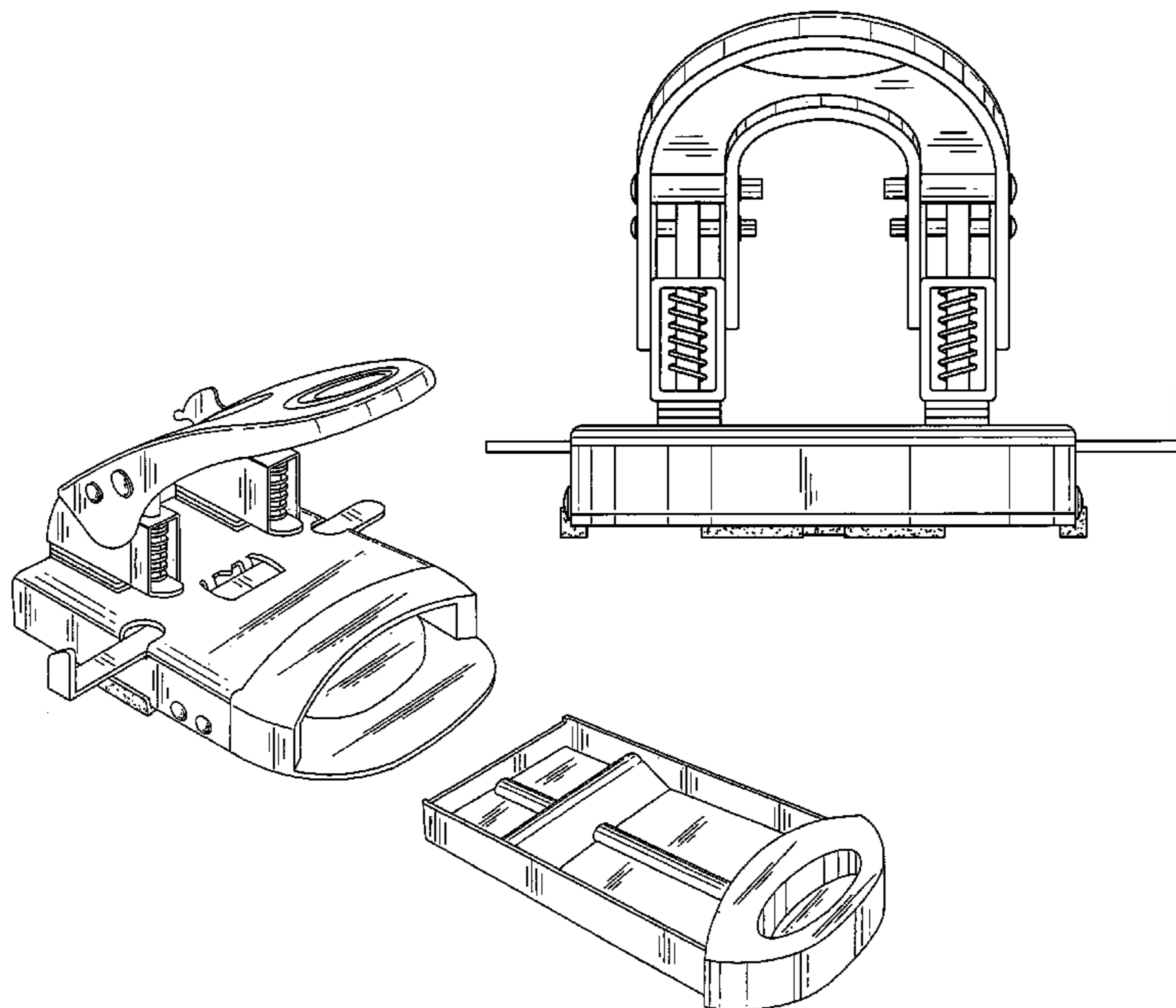
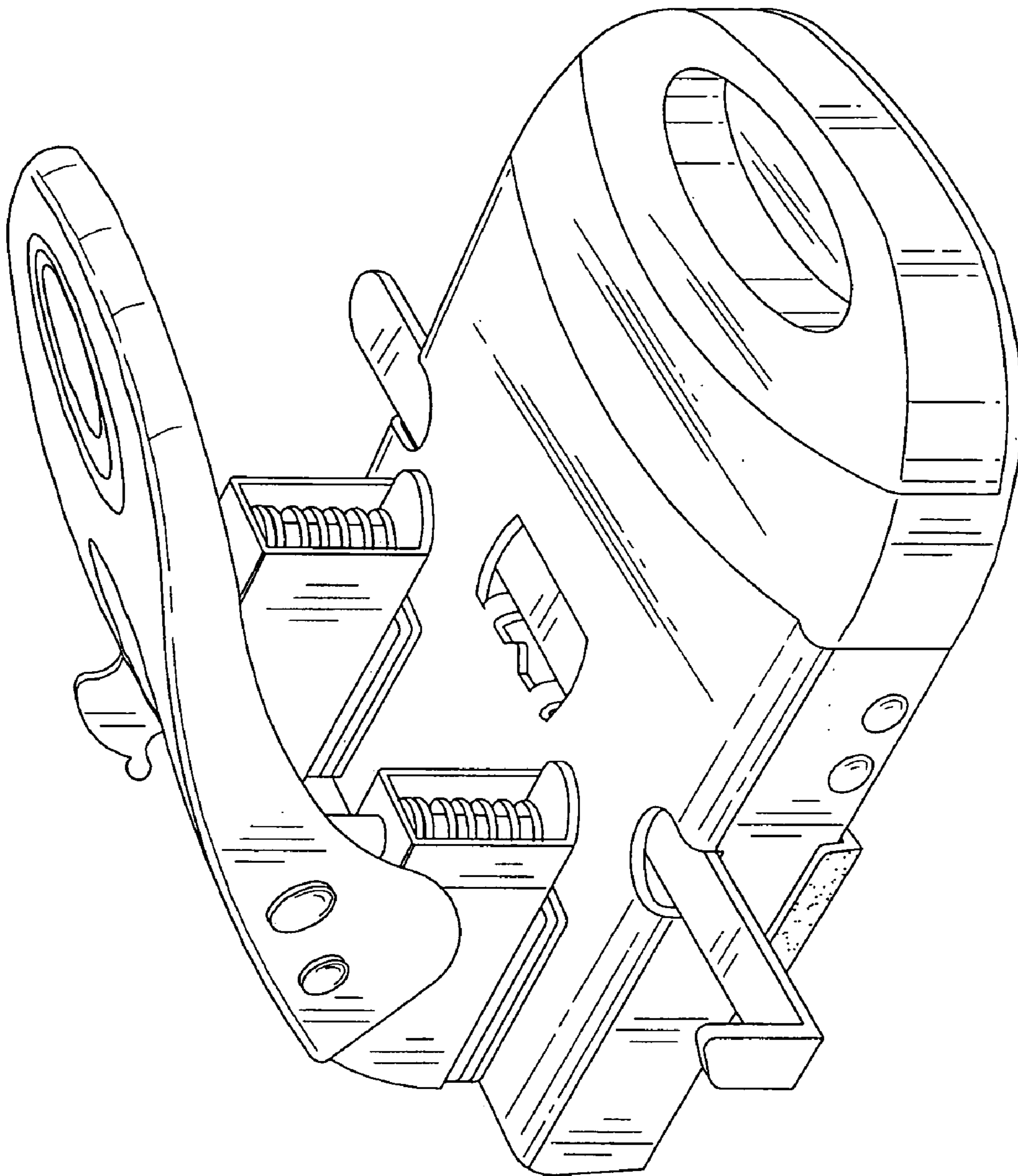


FIG. 1



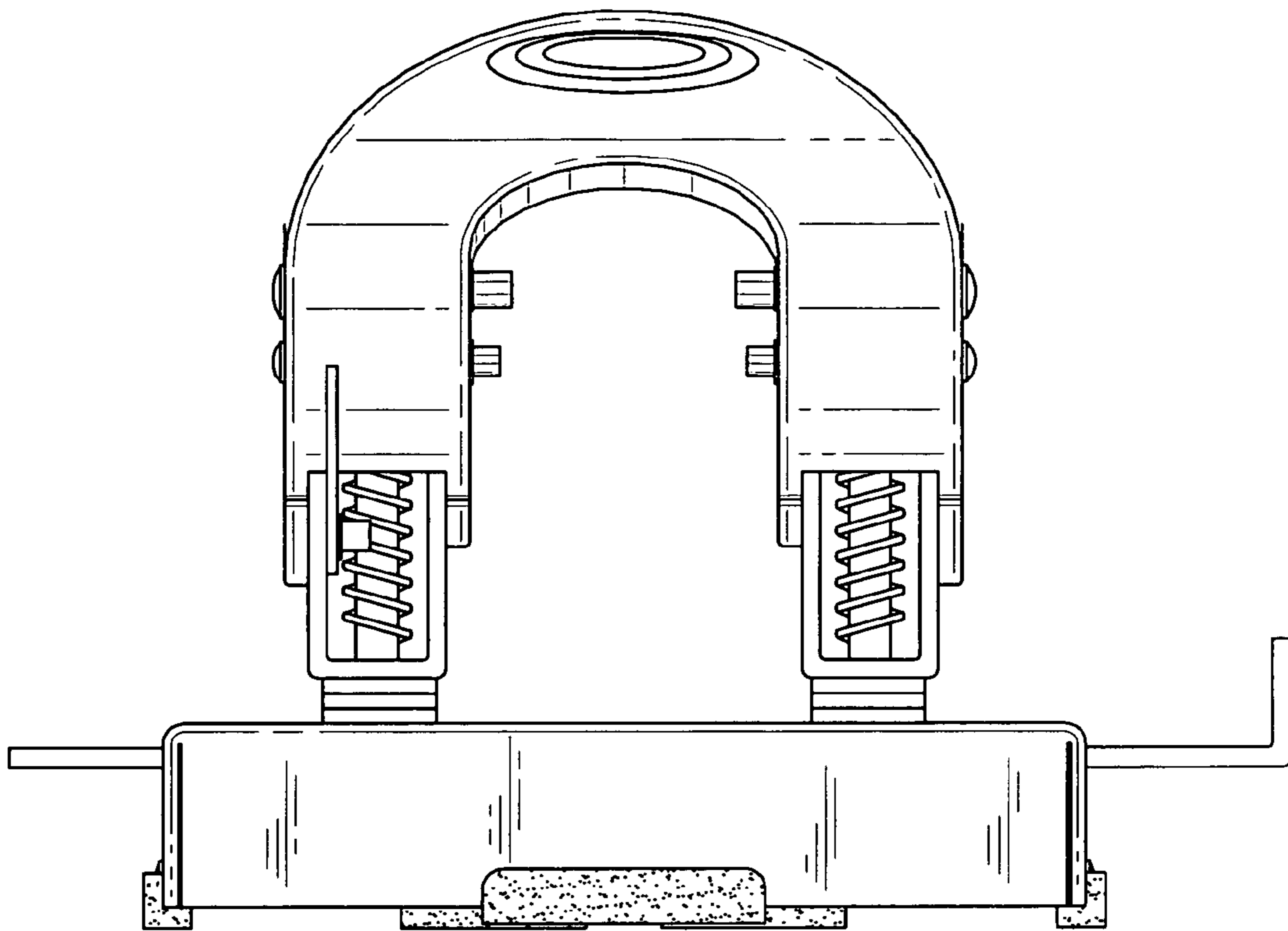


FIG. 2

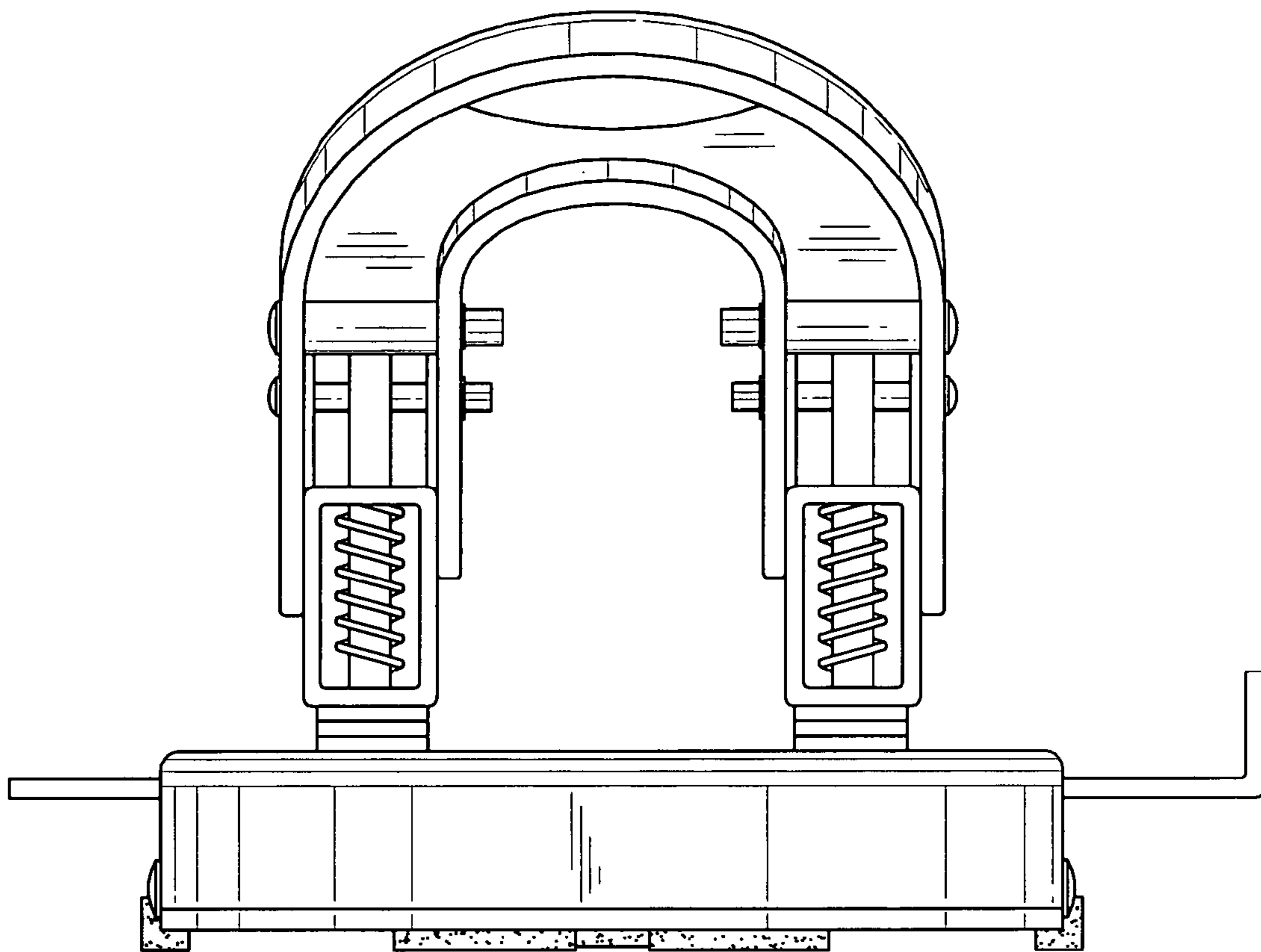


FIG. 3

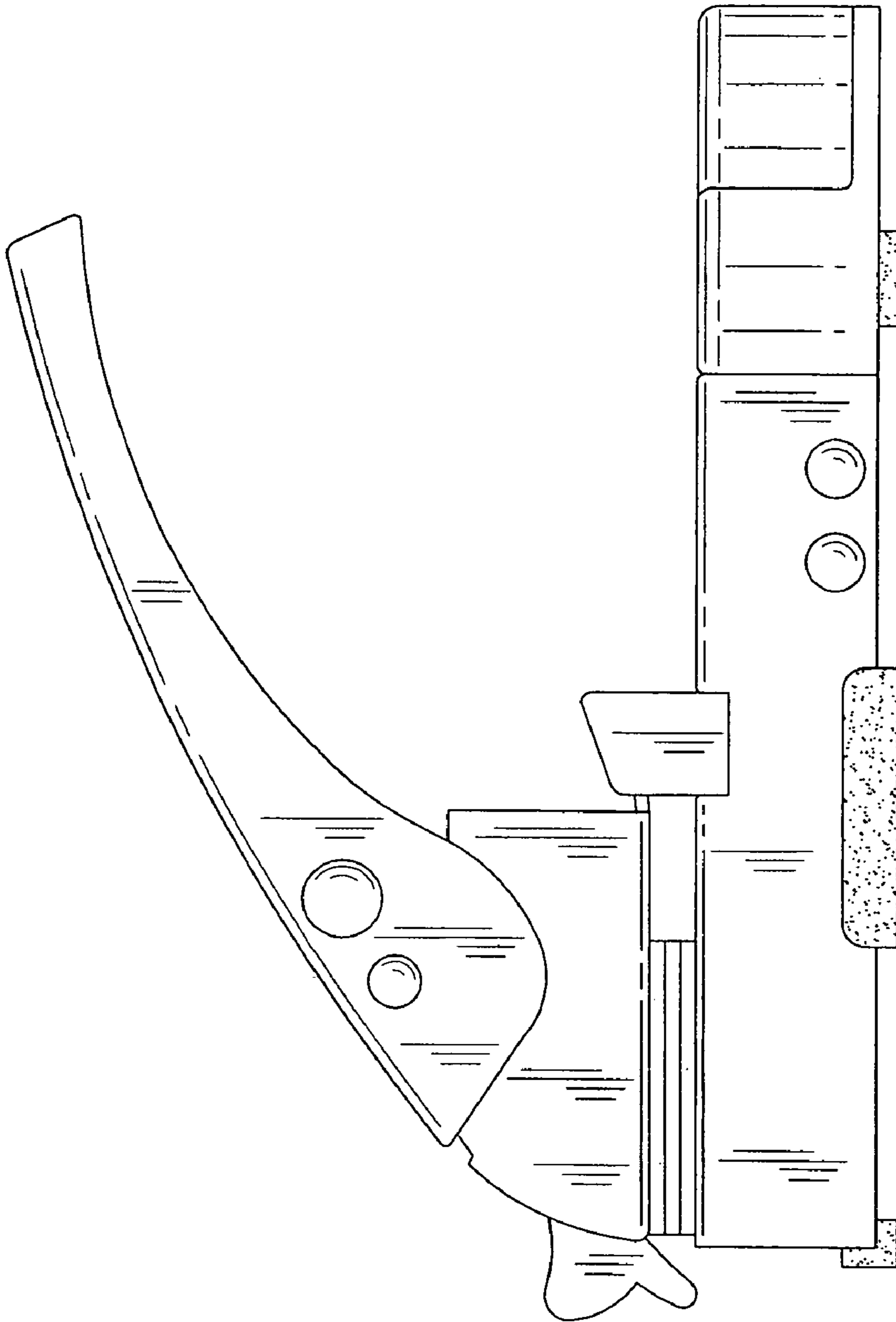


FIG. 4

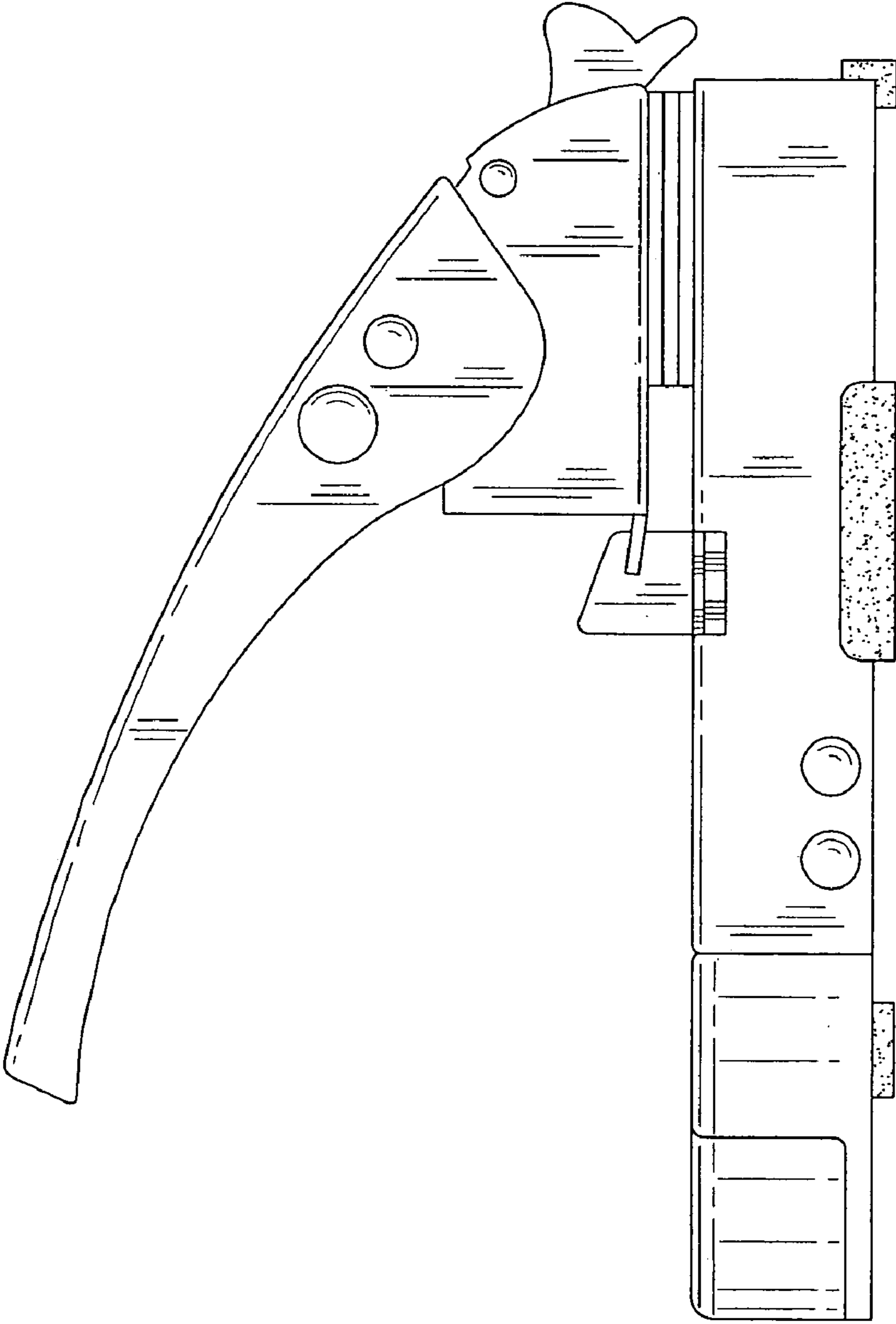


FIG. 5

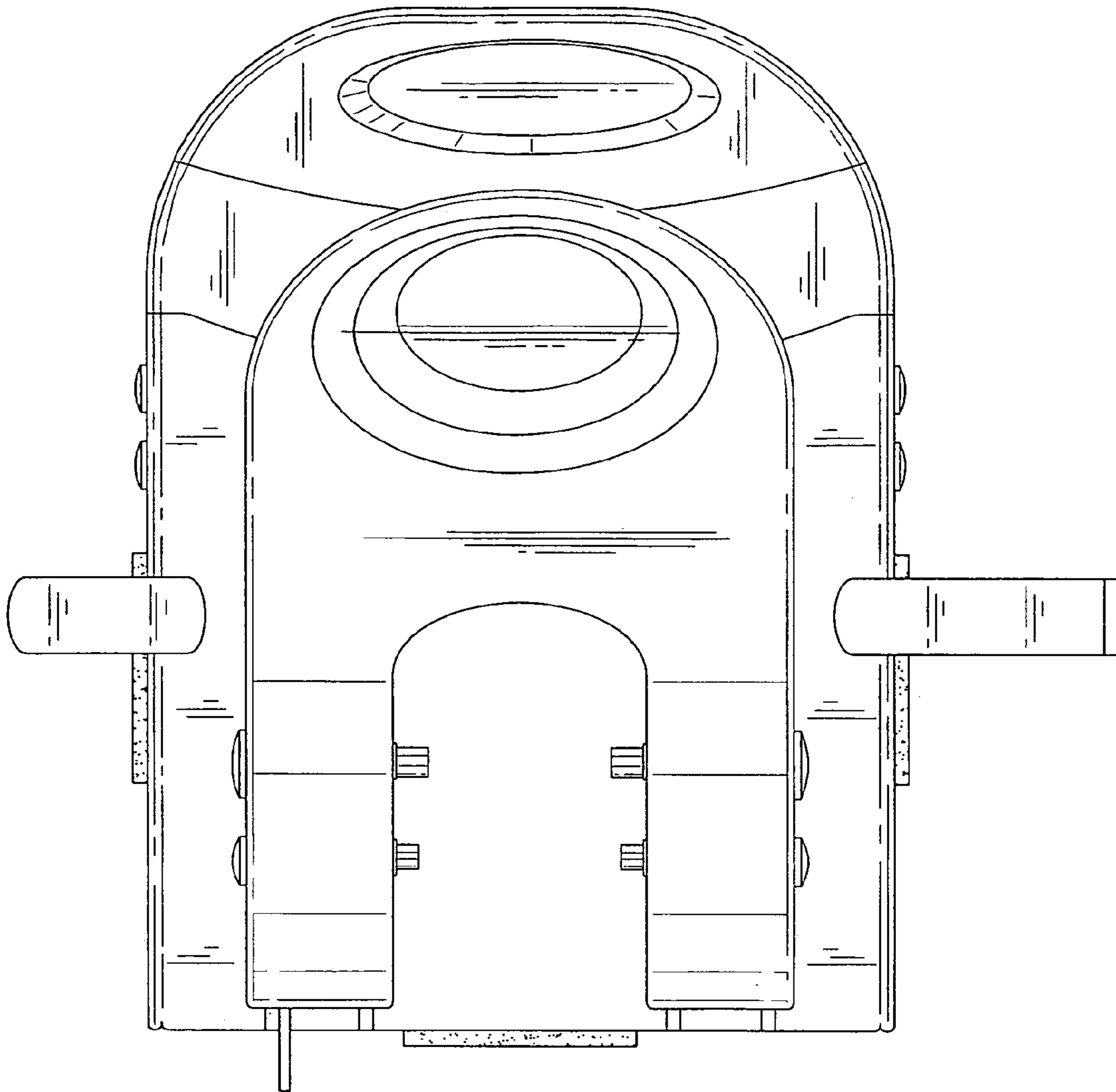


FIG. 6

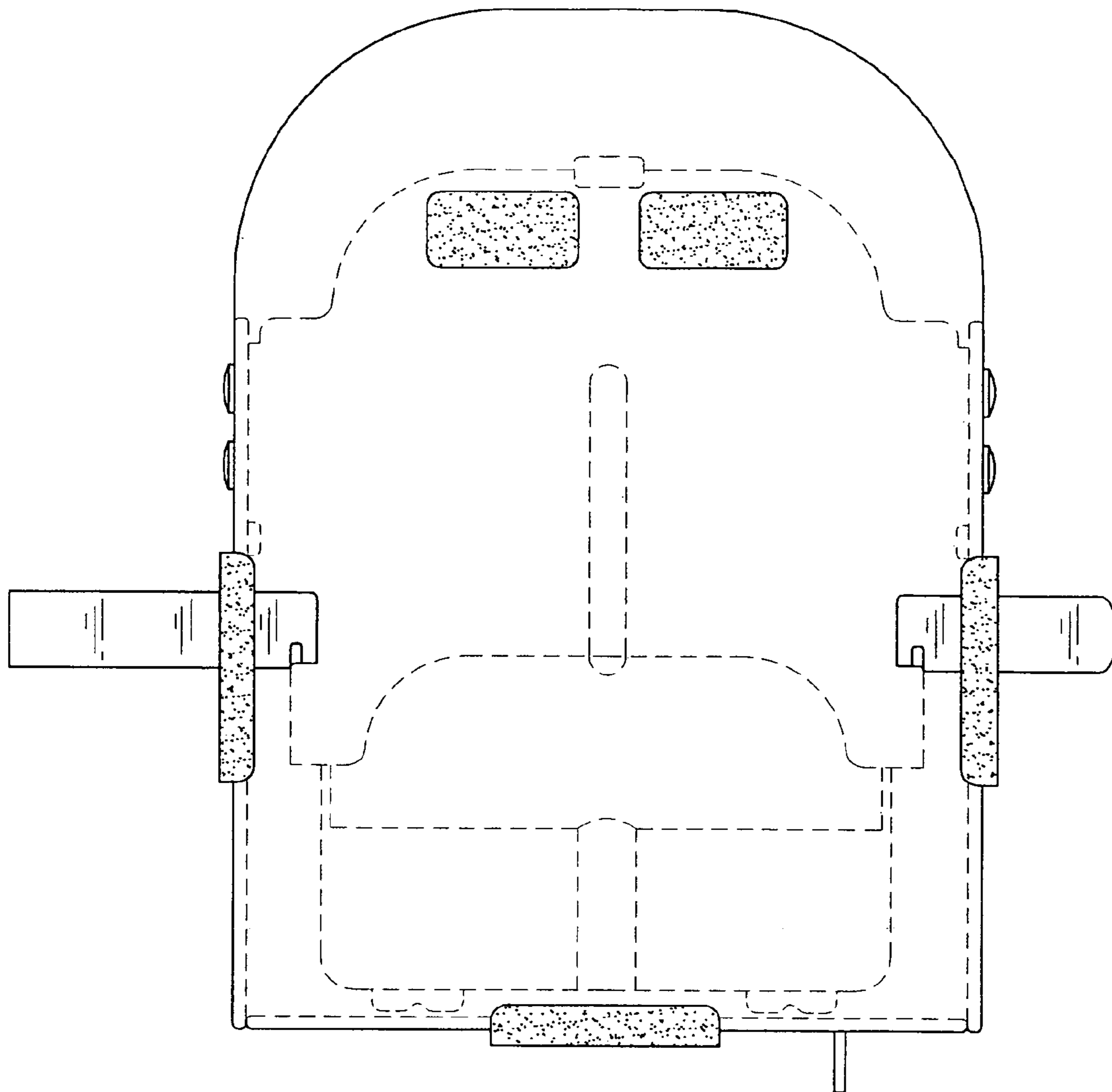


FIG. 7

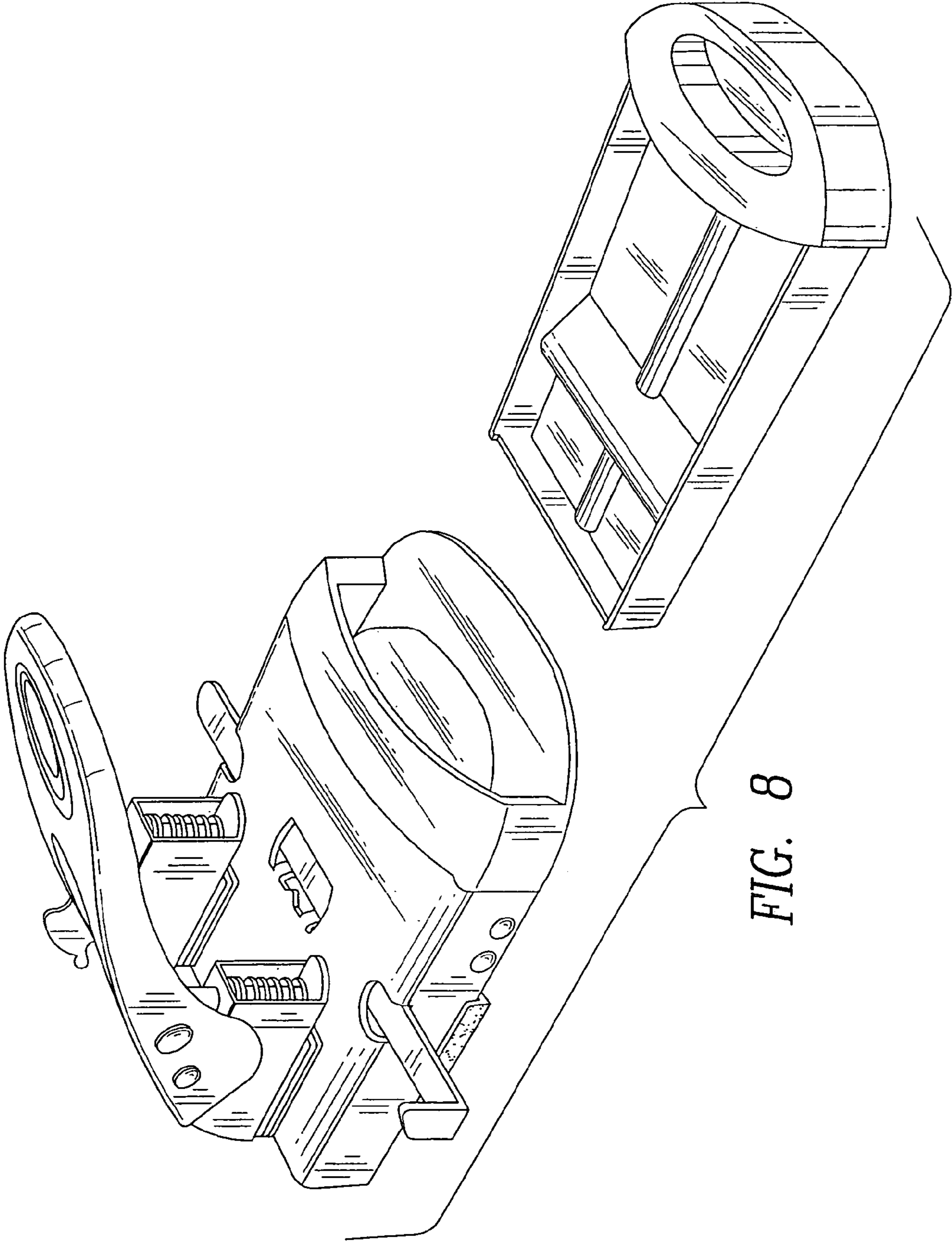


FIG. 8