



US00D573648S

(12) **United States Design Patent**
Chen et al.

(10) **Patent No.:** **US D573,648 S**
(45) **Date of Patent:** **** Jul. 22, 2008**

(54) **TAPE DISPENSER**

D553,686 S * 10/2007 Chen et al. D19/69

(75) Inventors: **Peter Chen**, West Windsor, NJ (US);
Jungkun Lee, Edison, NJ (US);
Xiaoquan Luo, Bronx, NY (US)

* cited by examiner

Primary Examiner—Cathron Brooks

Assistant Examiner—Austin Murphy

(74) *Attorney, Agent, or Firm*—Daniel Kirshner

(73) Assignee: **Officemate International Corp.**,
Edison, NJ (US)

(57) **CLAIM**

(**) Term: **14 Years**

The ornamental design for a tape dispenser, as shown and described.

(21) Appl. No.: **29/294,434**

(22) Filed: **Jan. 10, 2008**

DESCRIPTION

(51) **LOC (8) Cl.** **19-02**

FIG. 1 is a front perspective view of a tape dispenser showing the new design;

(52) **U.S. Cl.** **D19/69**

FIG. 2 is a rear perspective view thereof;

(58) **Field of Classification Search** D19/70,

FIG. 3 is a right side elevational view thereof;

D19/69, 36, 68; 242/588.6, 588.2; 225/77,

FIG. 4 is left side elevational view thereof;

225/6, 56, 39, 26, 25, 19, 11; 206/411; 156/577,

FIG. 5 is a top view thereof;

156/527, 523

FIG. 6 is a bottom view thereof;

See application file for complete search history.

FIG. 7 is a front elevational view thereof;

(56) **References Cited**

U.S. PATENT DOCUMENTS

FIG. 8 is a rear elevational view thereof; and,

2,708,076 A * 5/1955 Polster et al. 225/34

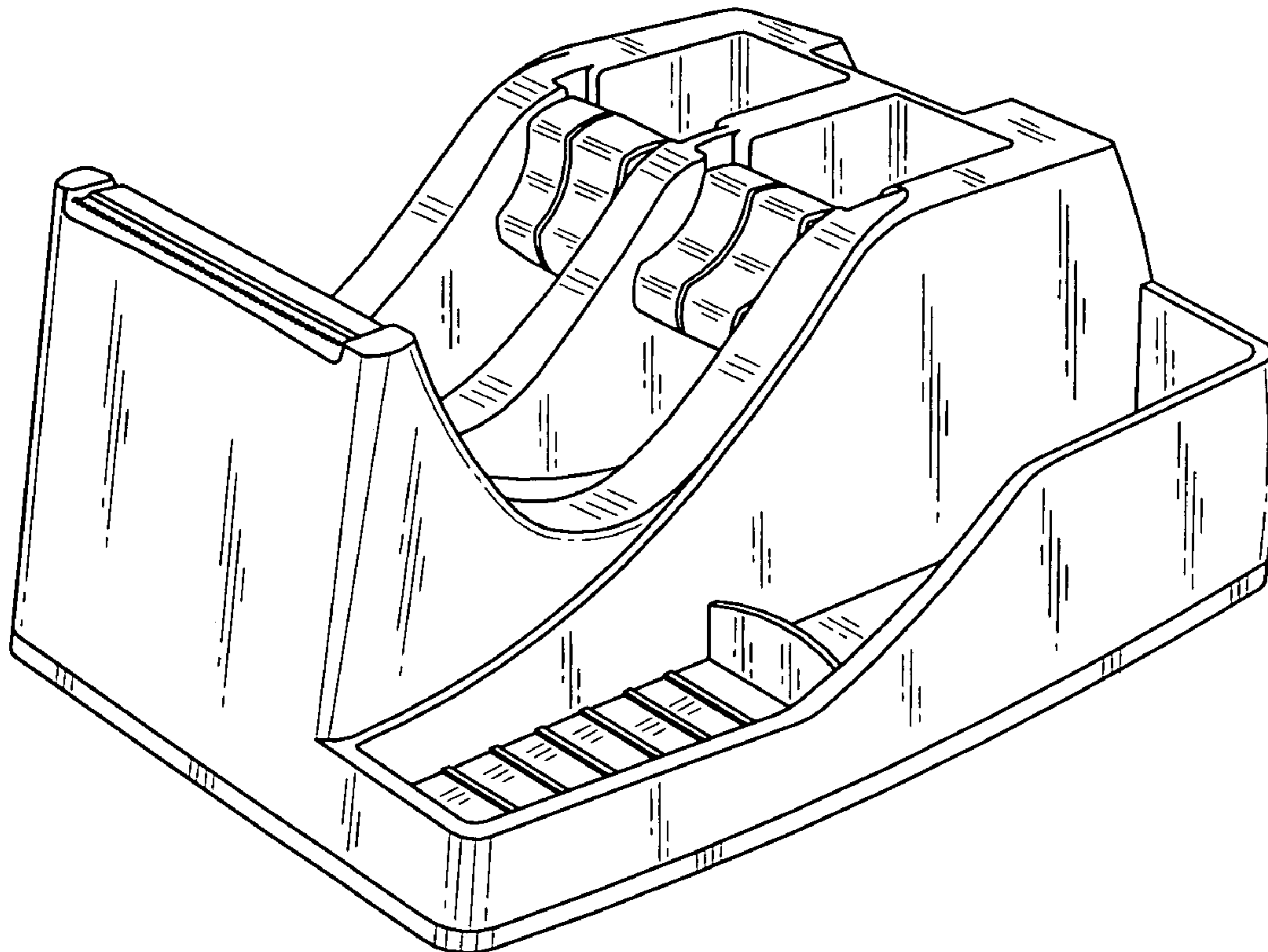
FIG. 9 is a front perspective view showing tape dispenser in exploded condition.

D399,257 S * 10/1998 Tang et al. D19/69

D448,415 S * 9/2001 Huang D19/69

D485,303 S * 1/2004 Chen D19/69

1 Claim, 9 Drawing Sheets



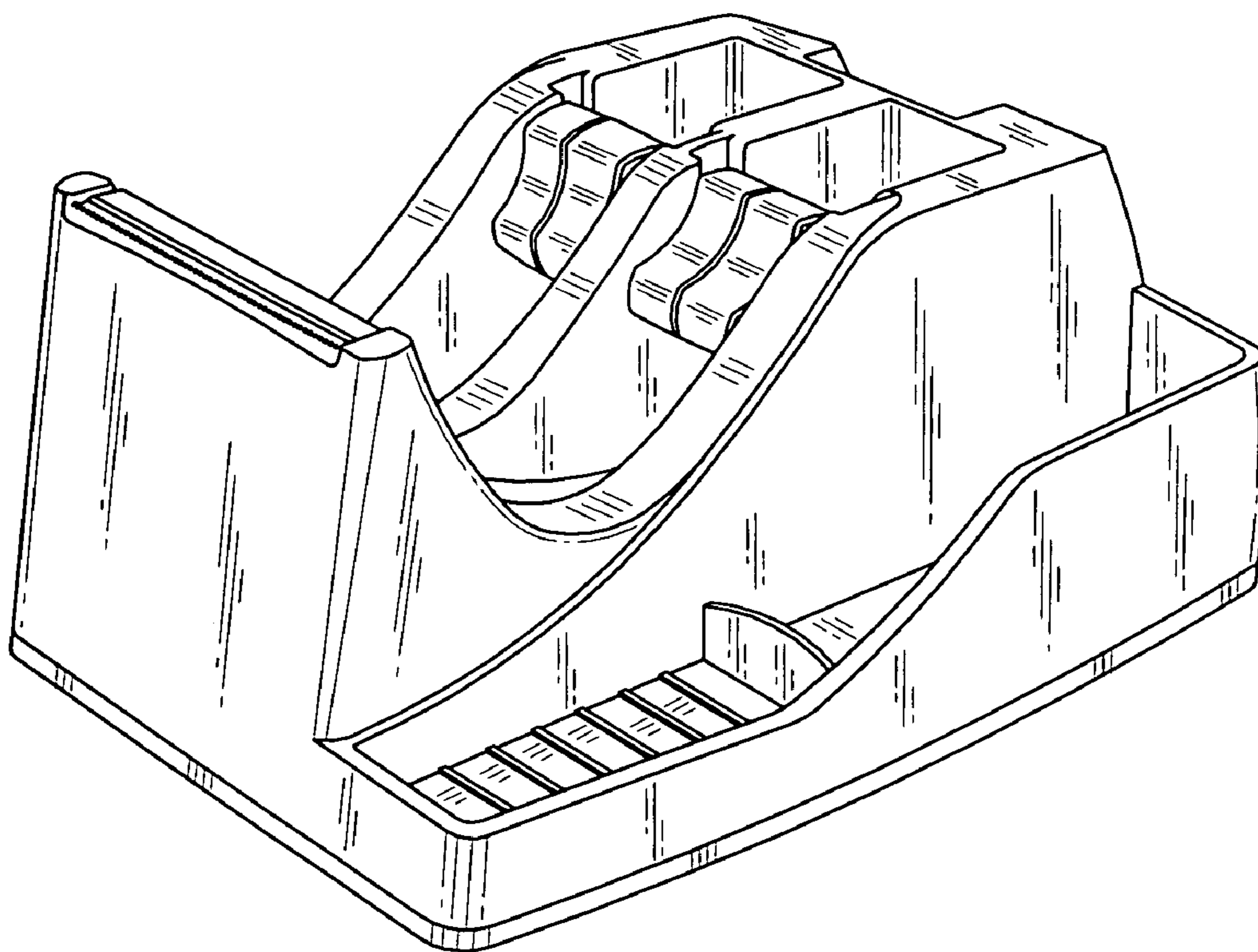


FIG. 1

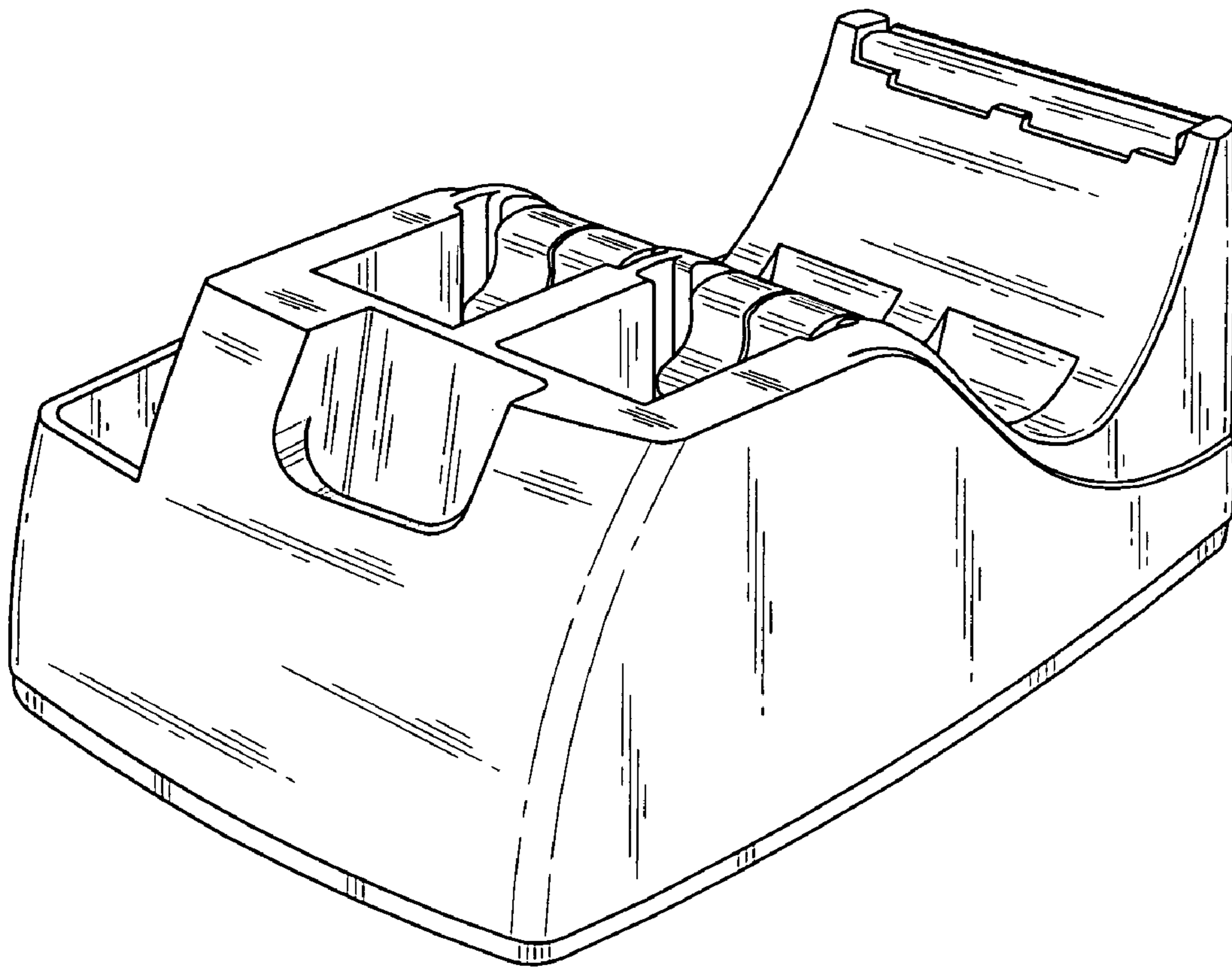


FIG. 2

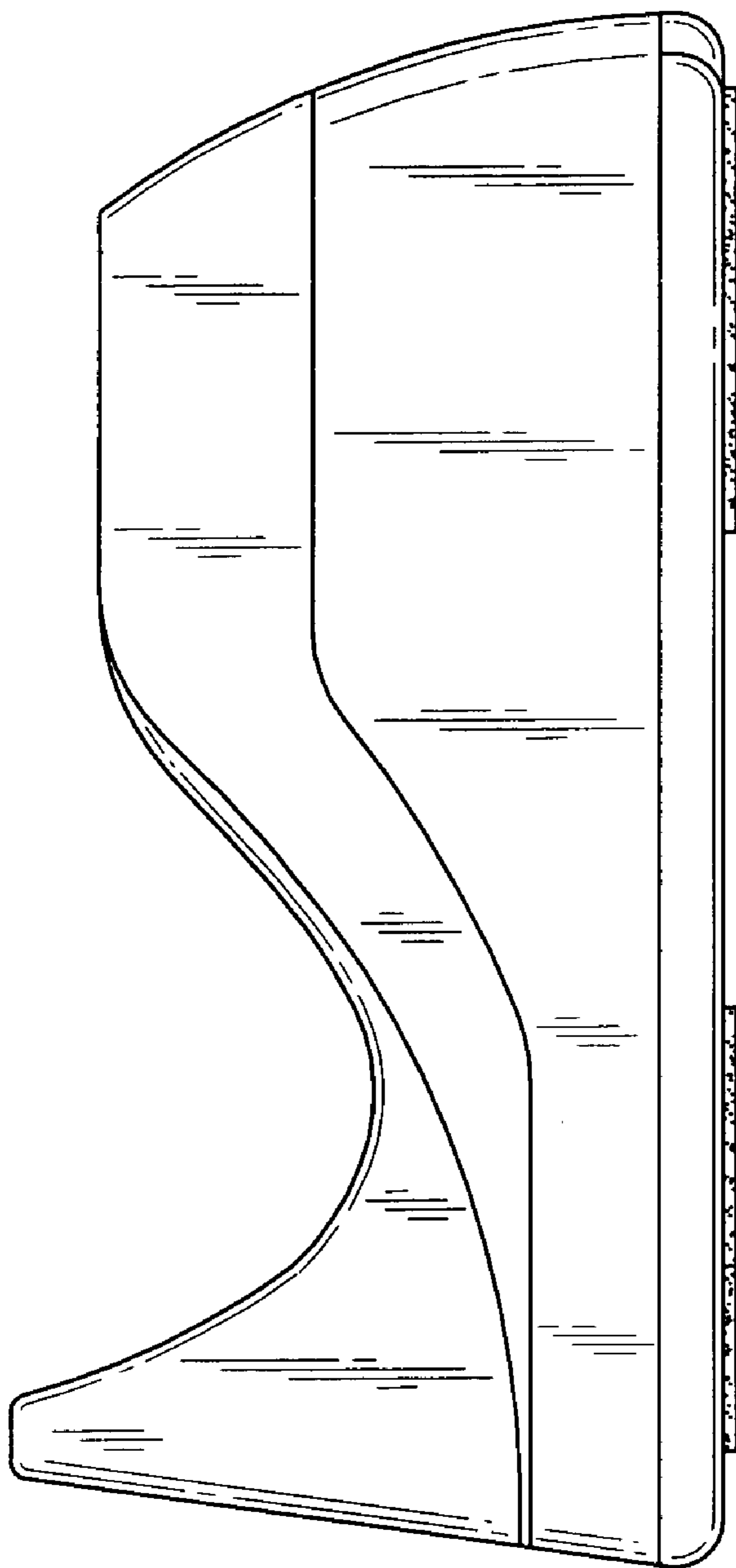


FIG. 3

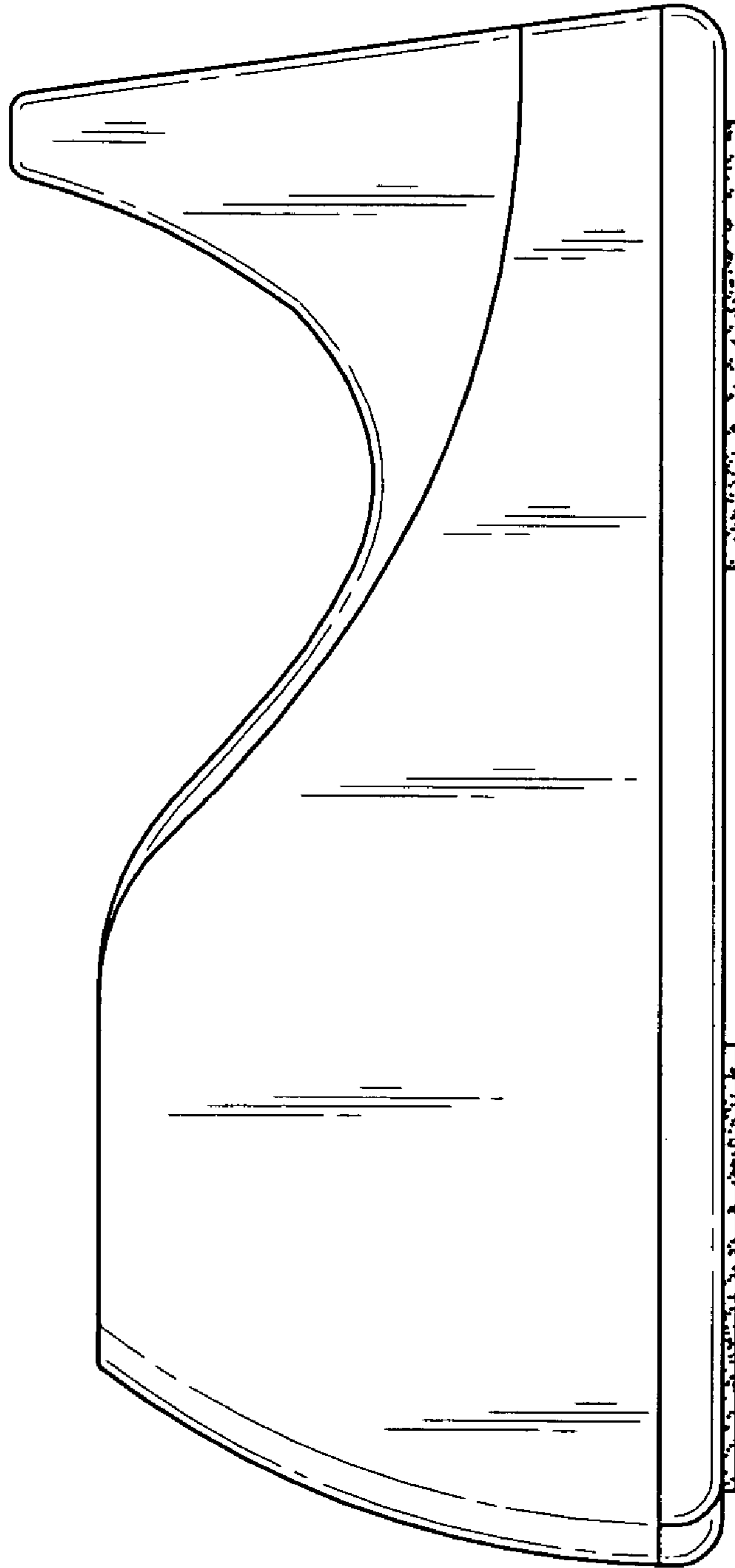


FIG. 4

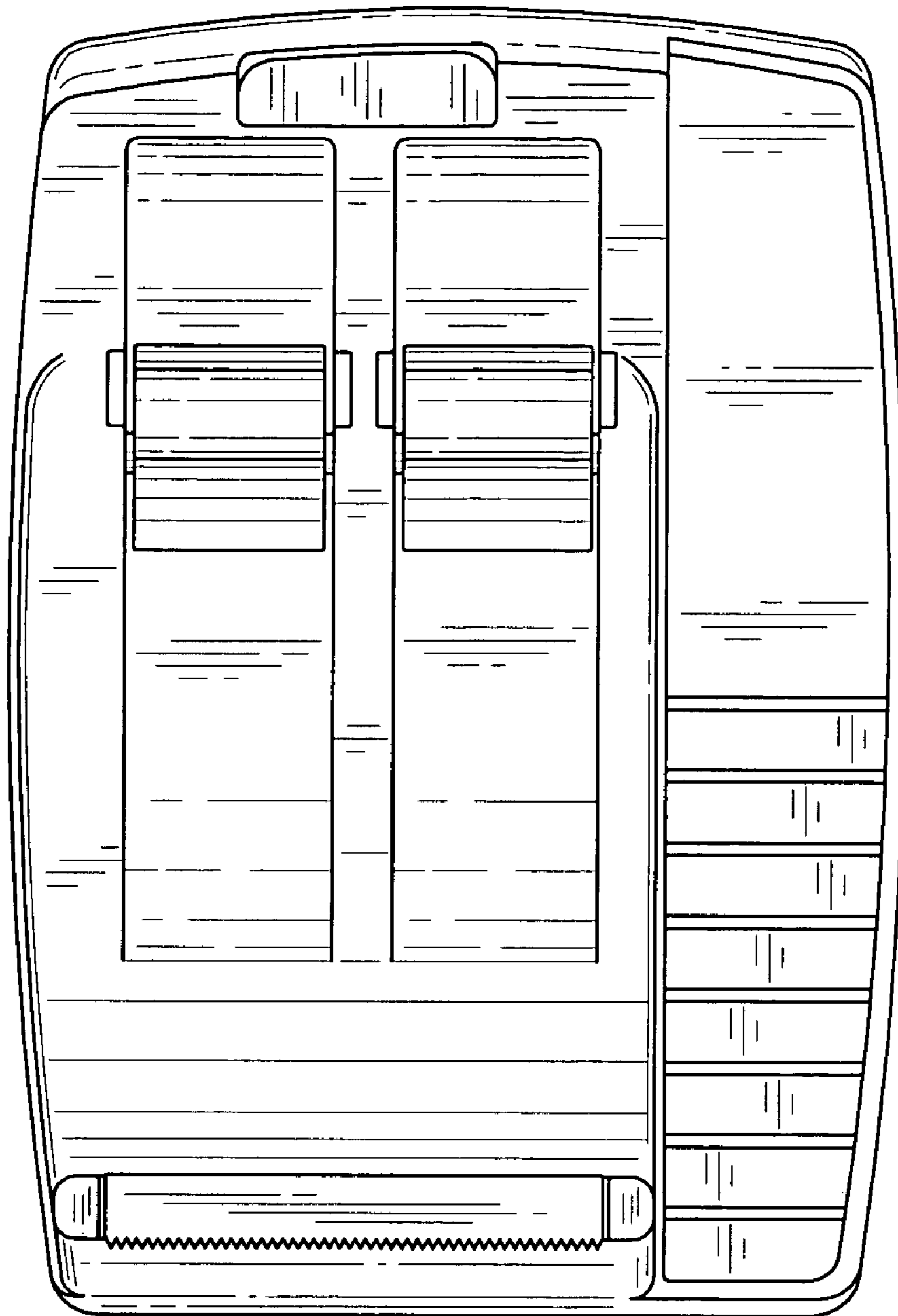


FIG. 5

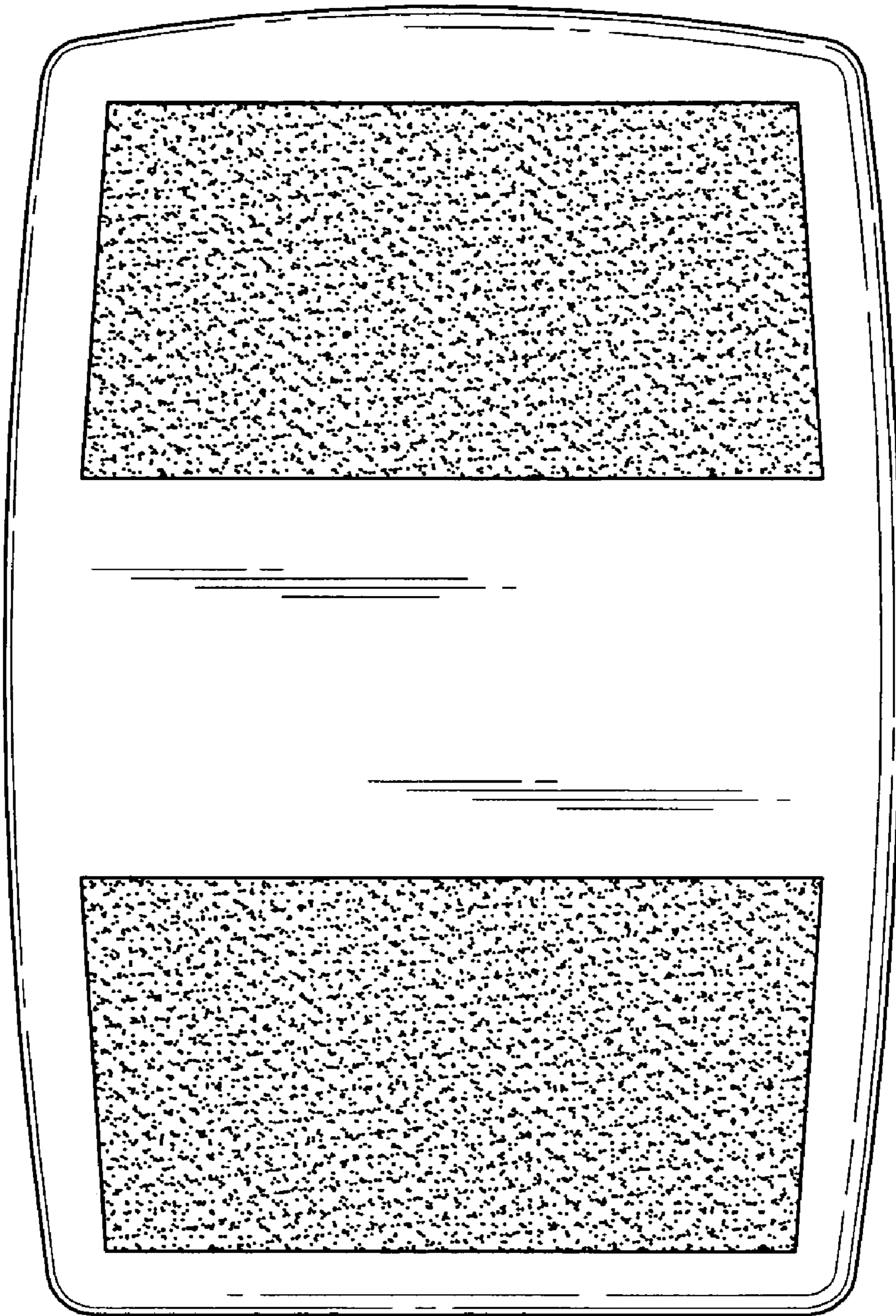


FIG. 6

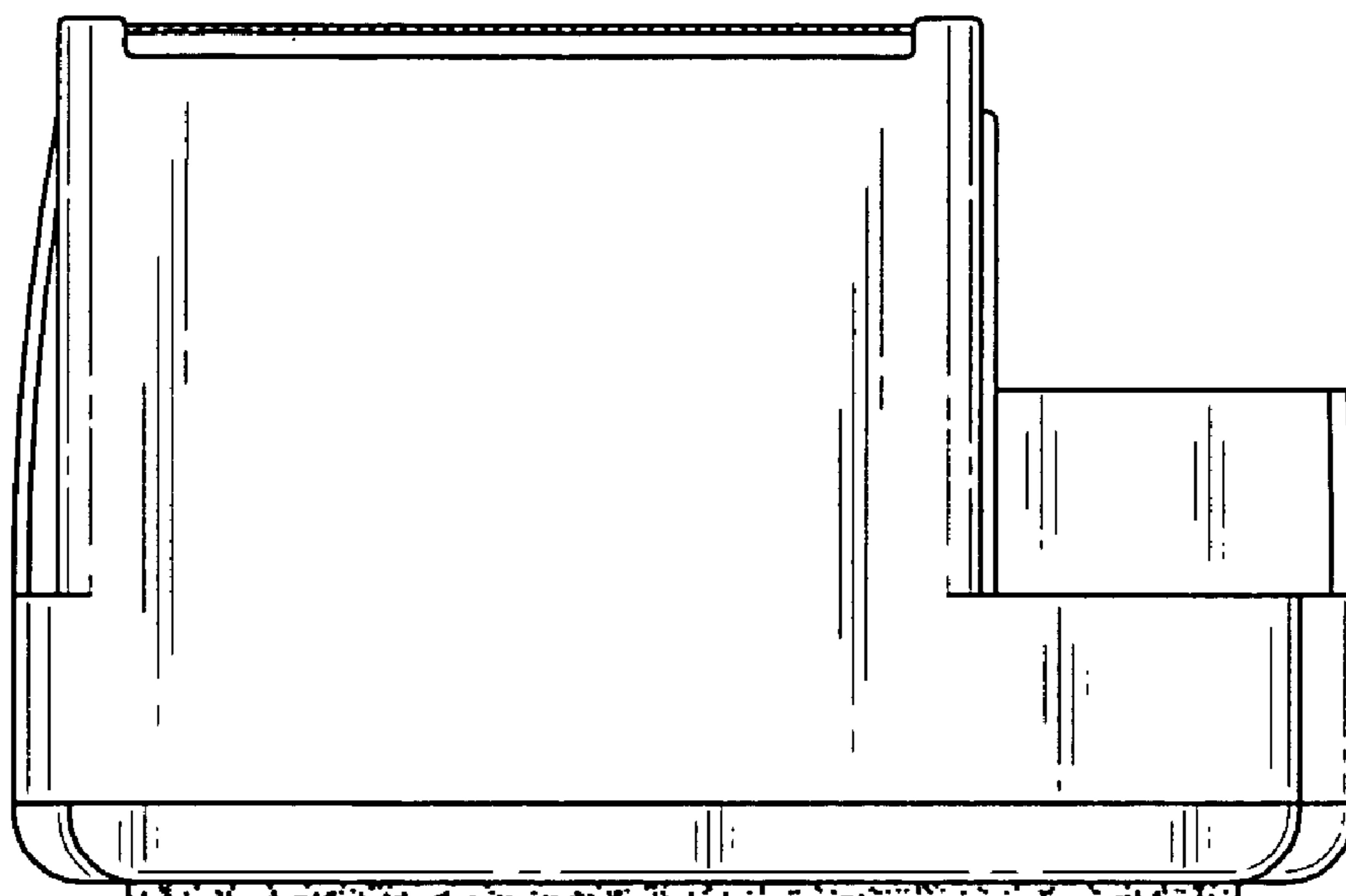


FIG. 7

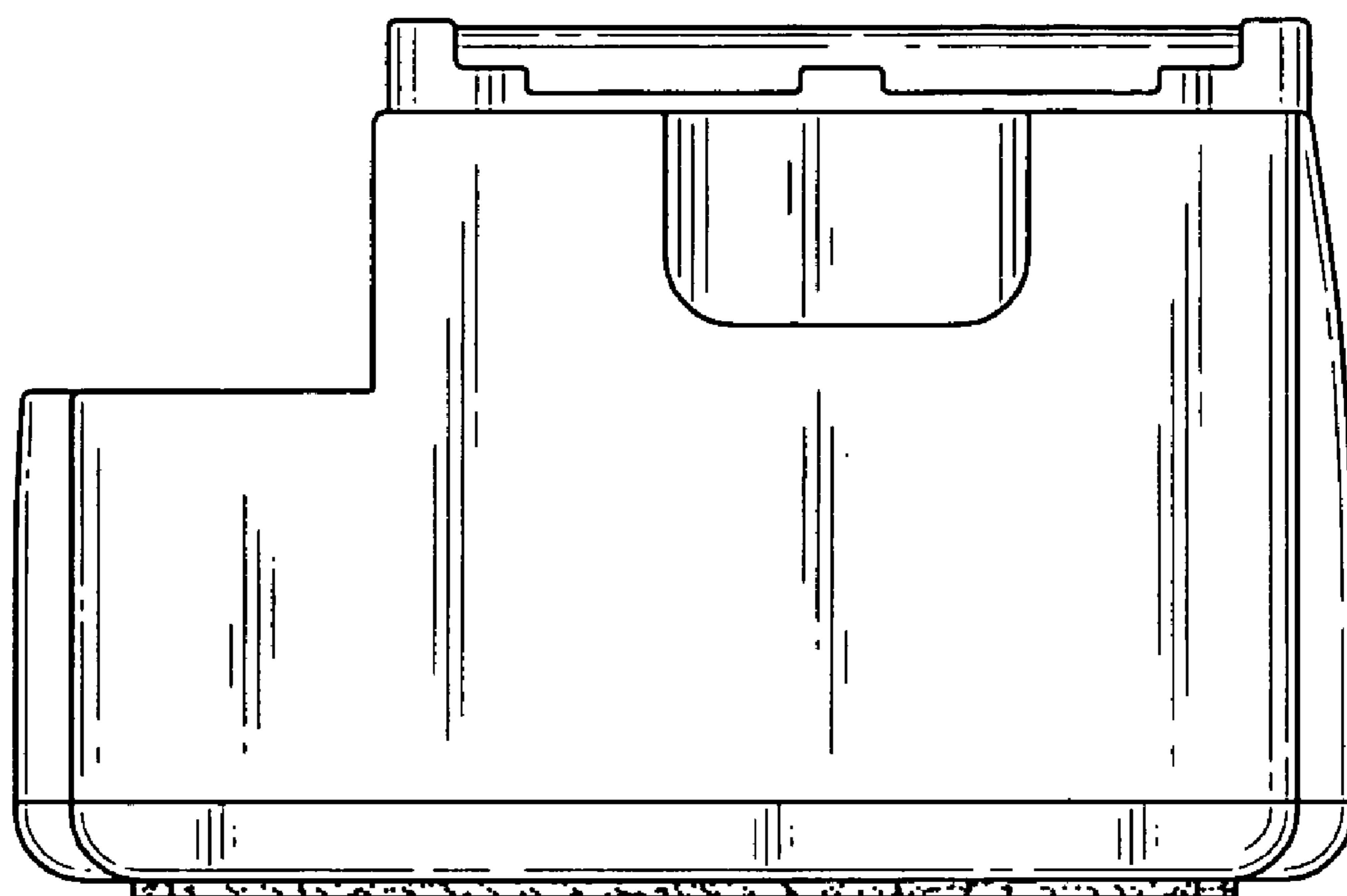


FIG. 8

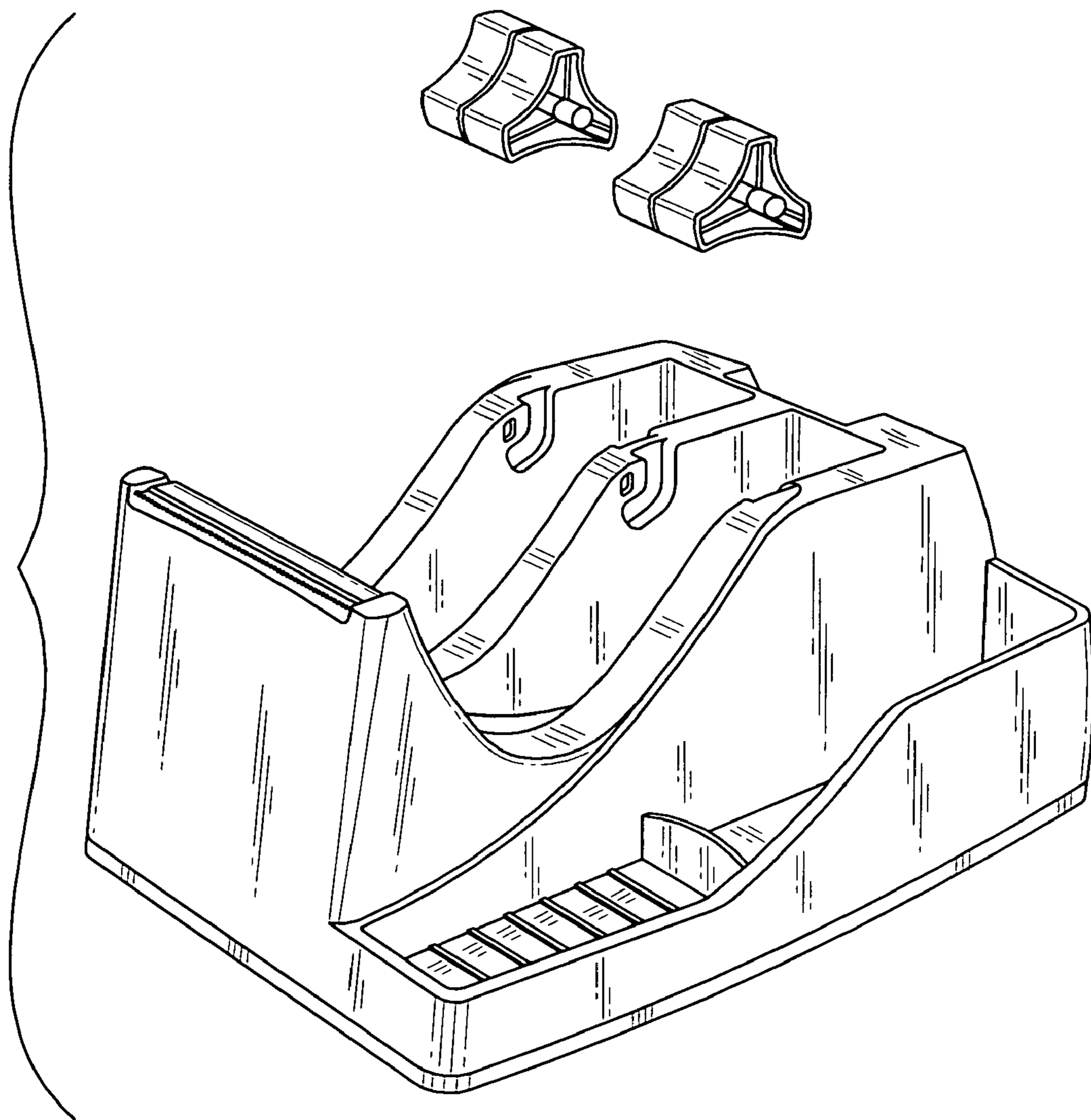


FIG. 9