



US00D573645S

(12) **United States Design Patent**
Sommers et al.

(10) **Patent No.:** **US D573,645 S**
(45) **Date of Patent:** **** Jul. 22, 2008**

(54) **STANDING TAPE DISPENSER**
(75) Inventors: **Scott A. Sommers**, Fairview Park, OH (US); **Dominic Daunter**, Howell, MI (US); **Curt J. Bailey**, Birmingham, MI (US)

D248,561 S 7/1978 Deering, Jr.
D248,961 S 8/1978 De brey
4,104,110 A 8/1978 Macosko
D249,352 S 9/1978 Kirchhoff
4,175,685 A 11/1979 Niles
D254,556 S 3/1980 Johnson

(Continued)

(73) Assignee: **Henkel Corporation**, Rocky Hill, CT (US)

FOREIGN PATENT DOCUMENTS

(**) Term: **14 Years**

WO 9703011 A1 1/1997

(21) Appl. No.: **29/283,183**

Primary Examiner—Cathron Brooks

Assistant Examiner—Austin Murphy

(22) Filed: **Aug. 8, 2007**

(74) *Attorney, Agent, or Firm*—Steven C. Bauman; James E. Piotrowski

(51) **LOC (8) Cl.** **08-02**

(57) **CLAIM**

(52) **U.S. Cl.** **D19/69**

The ornamental design for a standing tape dispenser, as shown and described.

(58) **Field of Classification Search** D19/36,
D19/70, 69, 68; D13/133, 146; 242/588.6,
242/588.3, 588.2; 225/77, 6, 56, 69, 26,
225/25, 19, 11; 206/411; 156/577, 527,
156/523

DESCRIPTION

See application file for complete search history.

FIG. 1 is a bottom left front perspective view of the standing tape dispenser according to our new design;

FIG. 2 is a bottom right rear perspective view thereof;

FIG. 3 is a top front left perspective view thereof;

FIG. 4 is a top right rear perspective view thereof;

FIG. 5 is a left elevational view thereof;

FIG. 6 is a right elevational view thereof;

FIG. 7 is a front elevation view thereof;

FIG. 8 is a rear elevation view thereof;

FIG. 9 is a bottom plan view thereof; and,

FIG. 10 is a top plan view thereof.

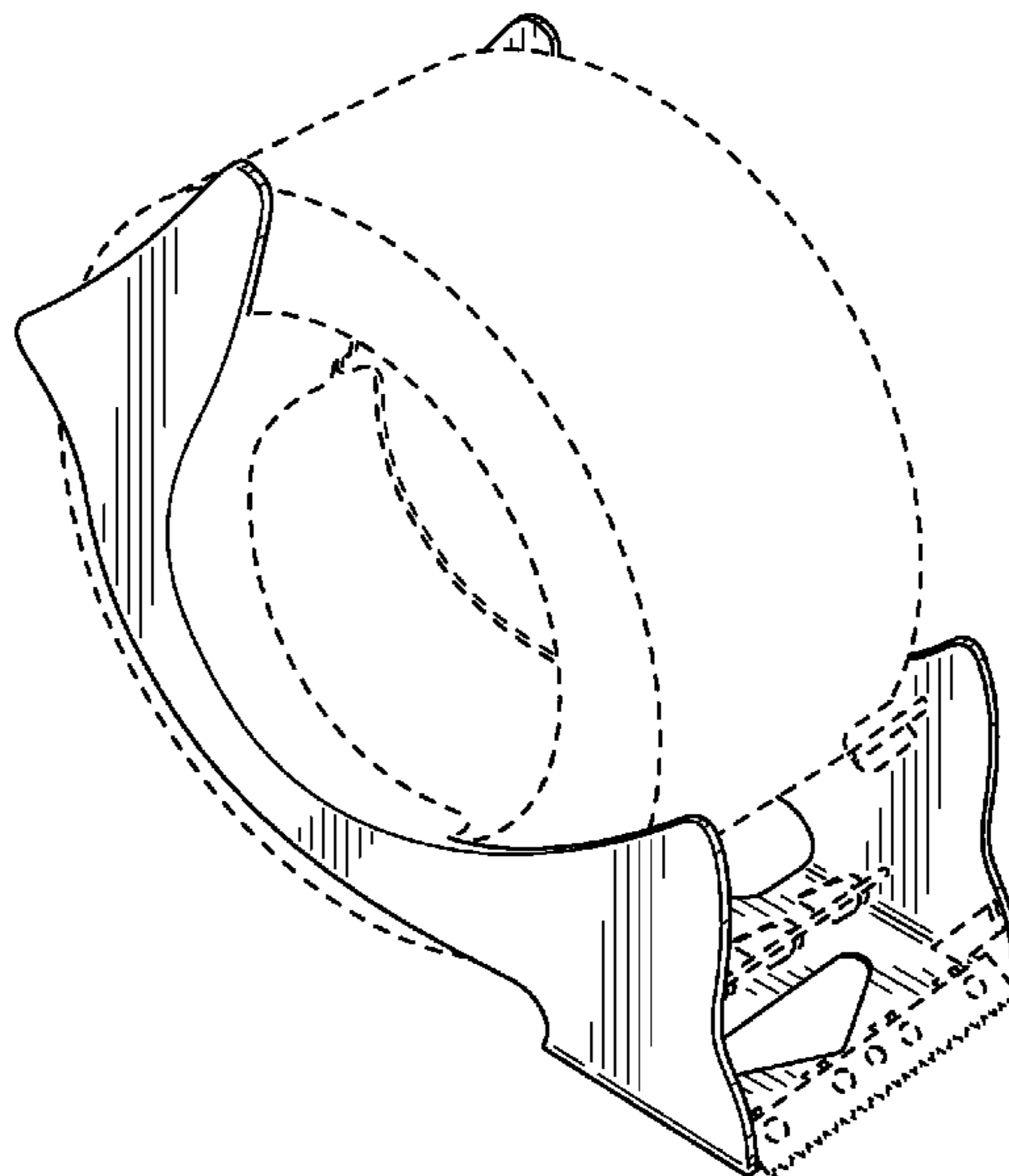
The broken lines shown in the drawings form no part of the claimed design.

(56) **References Cited**

U.S. PATENT DOCUMENTS

2,452,299 A 10/1948 Gould
2,463,445 A 3/1949 Cleef
2,670,041 A 2/1954 Krueger
2,671,917 A 3/1954 Martin et al.
2,767,872 A 10/1956 Lavery
2,839,140 A 6/1958 Vogt
3,187,968 A 6/1965 Favre
3,378,184 A 4/1968 Mallory
3,417,935 A 12/1968 Douglas et al.
3,895,059 A 7/1975 Link
3,972,459 A 8/1976 Cooper
D245,914 S 9/1977 Fritzinger
4,059,210 A 11/1977 Deering, Jr.

1 Claim, 4 Drawing Sheets



US D573,645 S

Page 2

U.S. PATENT DOCUMENTS

4,225,071	A	9/1980	Laviano		5,468,332	A	11/1995	Dretzka et al.
4,262,835	A	4/1981	Wrobel		5,482,182	A	1/1996	Thompson et al.
D259,643	S *	6/1981	Pearson	D19/69	5,518,576	A	5/1996	Mendelovich et al.
4,330,357	A	5/1982	Collins		D374,894	S	10/1996	Towns et al.
4,336,097	A	6/1982	Van Kampen et al.		5,672,238	A	9/1997	Samuelson
4,358,328	A	11/1982	Pearson		5,759,342	A	6/1998	Luhman et al.
4,401,248	A	8/1983	Helms		5,769,270	A	6/1998	Fujisawa et al.
4,405,068	A	9/1983	Blair		5,820,005	A	10/1998	Perkitny et al.
4,416,392	A	11/1983	Smith		5,878,932	A	3/1999	Huang
D276,354	S	11/1984	Spitzer		5,921,450	A	7/1999	Robinson
4,625,901	A	12/1986	Adelizi		D416,582	S	11/1999	Dunshee et al.
4,627,560	A	12/1986	Samuelson		D417,237	S	11/1999	Packard et al.
D289,180	S	4/1987	Crawford et al.		6,039,102	A	3/2000	Sadrakula et al.
4,711,384	A	12/1987	Harris		D423,054	S *	4/2000	Harris
D299,658	S	1/1989	Vasilakes et al.		6,067,773	A	5/2000	Le
4,857,134	A	8/1989	Lin		D428,922	S	8/2000	Packard et al.
4,925,521	A	5/1990	Asbury, Jr. et al.		D432,573	S	10/2000	Graetz
4,944,720	A	7/1990	Suhr		D432,575	S	10/2000	Van Den Berg
4,957,233	A	9/1990	Samuelson		6,145,722	A	11/2000	Behrens et al.
4,961,525	A	10/1990	Corbo et al.		6,152,398	A	11/2000	Chen
D315,576	S	3/1991	En		D442,227	S *	5/2001	Carlson et al.
5,071,051	A	12/1991	Corbo et al.		6,254,954	B1	7/2001	Bennett et al.
5,083,717	A	1/1992	Samuelson et al.		D448,413	S *	9/2001	Carlson et al.
D331,071	S	11/1992	Dotterman et al.		D448,414	S	9/2001	Carlson et al.
D331,072	S	11/1992	Dotterman et al.		D454,911	S	3/2002	Carlson et al.
D333,678	S	3/1993	Lissoni		6,669,070	B2 *	12/2003	Huang
D336,492	S	6/1993	Samuelson et al.		D490,469	S	5/2004	Chandaria
5,215,240	A	6/1993	Berg et al.		D491,985	S	6/2004	Mueller et al.
D342,092	S	12/1993	Samuelson et al.		D493,488	S	7/2004	Chandaria
D342,093	S	12/1993	Samuelson		D500,086	S	12/2004	Van Tyle et al.
D342,548	S	12/1993	Kirchhoff et al.		D507,020	S	7/2005	Mueller et al.
D348,484	S	7/1994	Blackwell et al.		6,923,358	B2	8/2005	Chandaria
D348,690	S	7/1994	Samuelson		7,077,185	B2	7/2006	Steinberger
5,328,115	A	7/1994	Samuelson et al.		D529,093	S *	9/2006	Gullicks et al.
5,363,997	A	11/1994	Harris		D533,594	S *	12/2006	Gullicks et al.
D357,502	S	4/1995	Schwarz et al.		D533,905	S *	12/2006	Gullicks et al.
D359,511	S	6/1995	Nash et al.		D534,589	S *	1/2007	Gullicks et al.
D361,086	S *	8/1995	Thompson et al.	D19/69	2002/0079346	A1	6/2002	Yu
D362,684	S *	9/1995	Samuelson et al.	D19/69	2002/0104865	A1	8/2002	Huang
D363,742	S	10/1995	Fitzsimmons		2005/0150604	A1	7/2005	Smits et al.

* cited by examiner

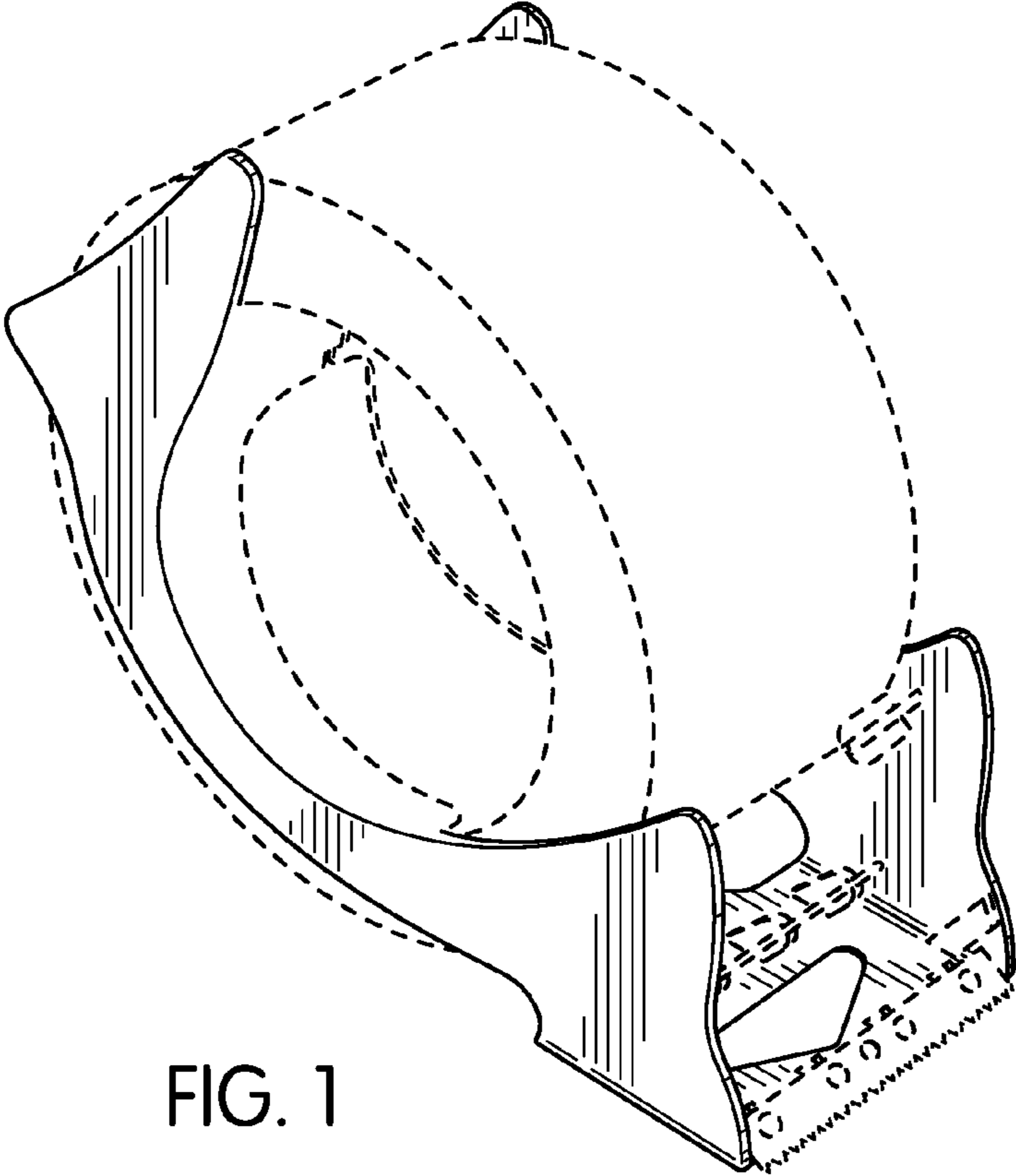


FIG. 1

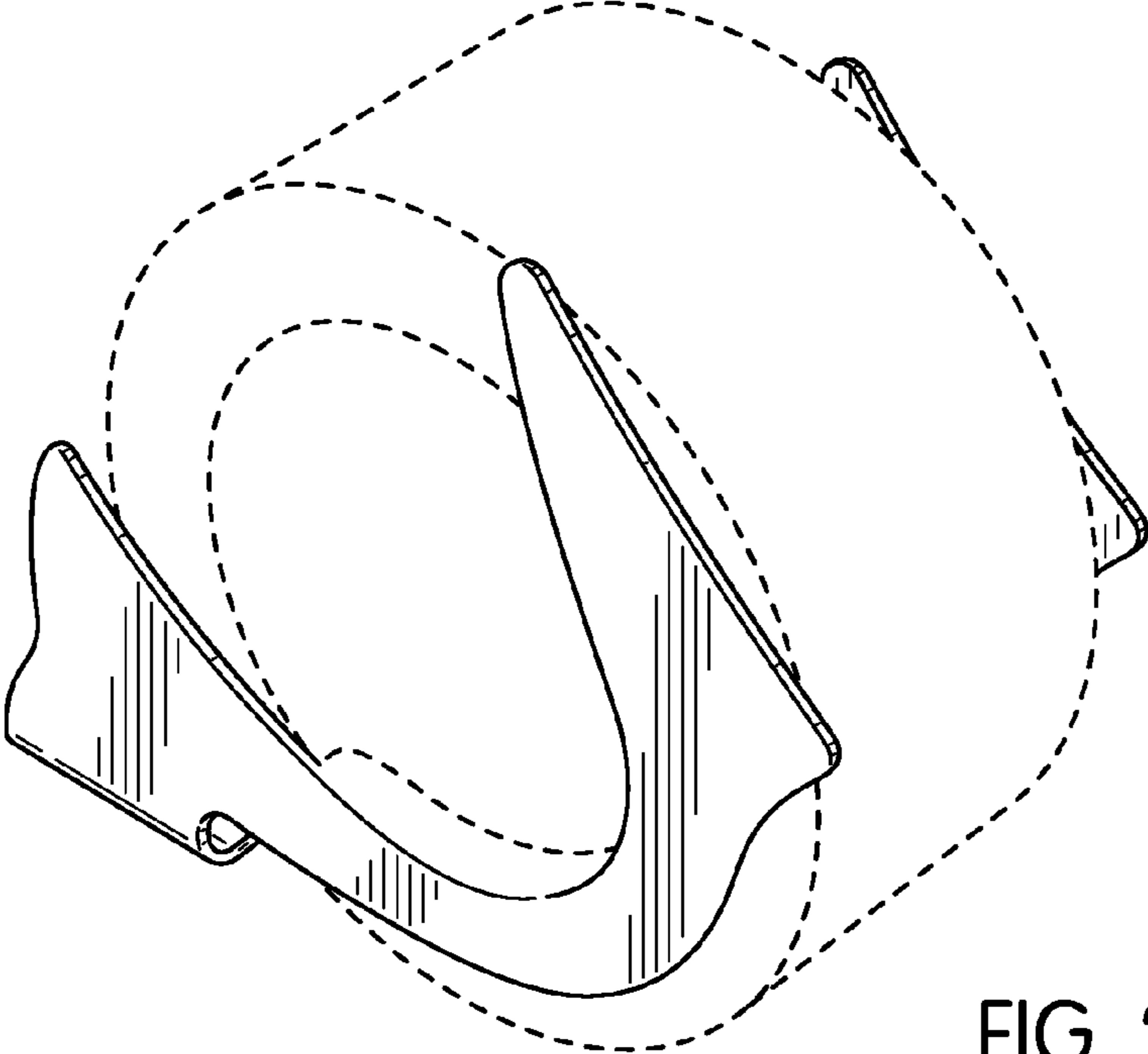


FIG. 2

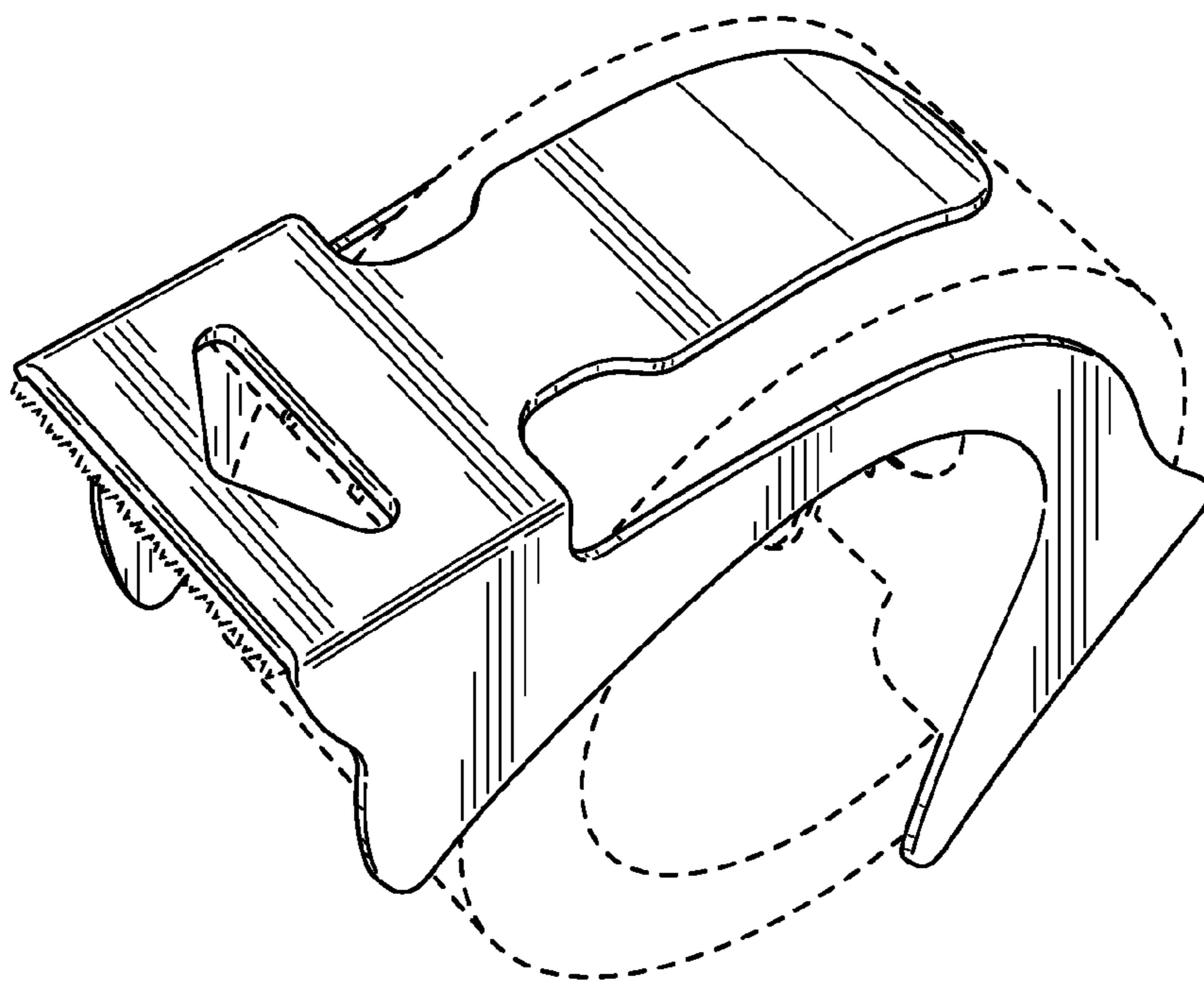


FIG. 3

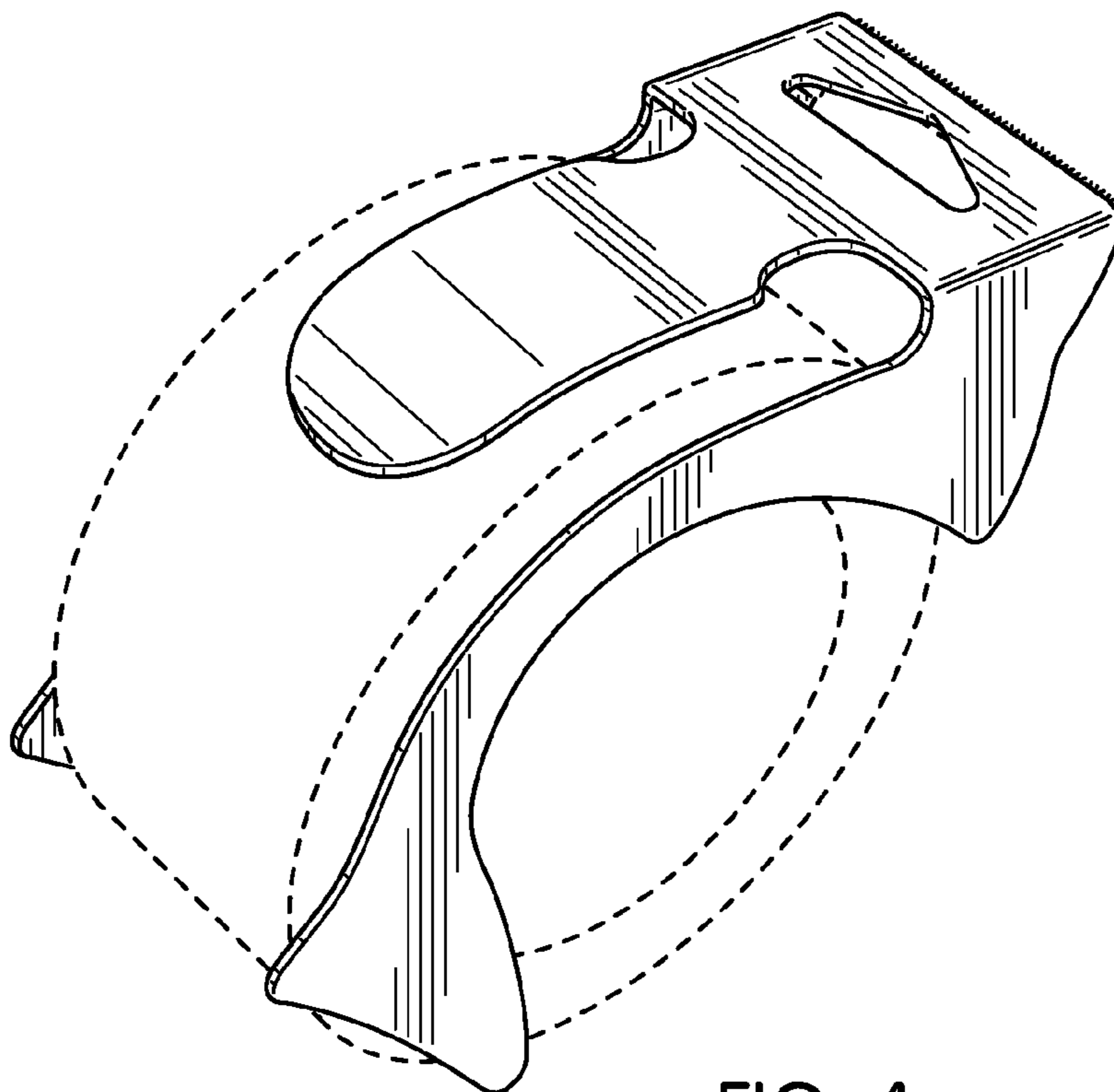


FIG. 4

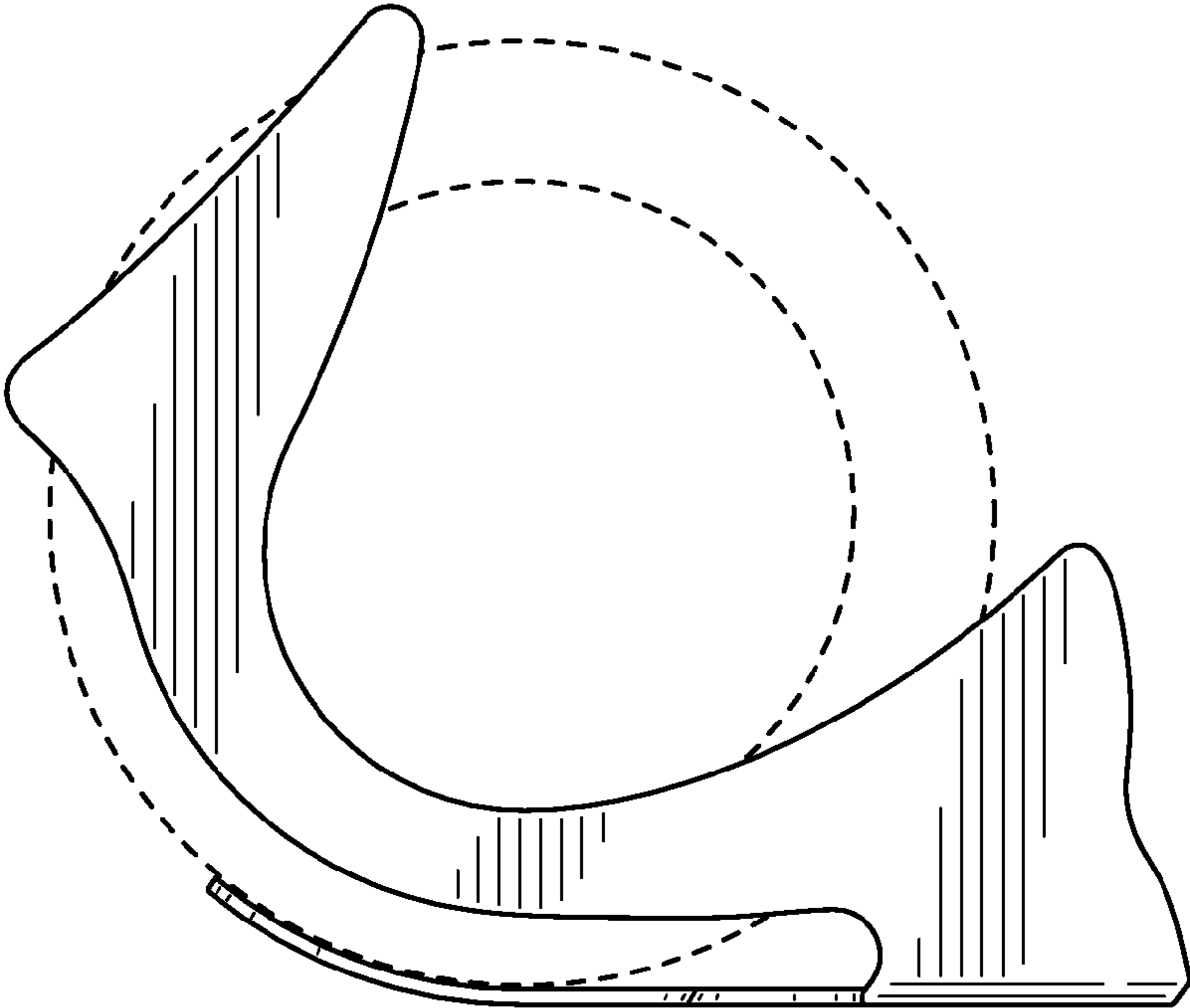


FIG. 5

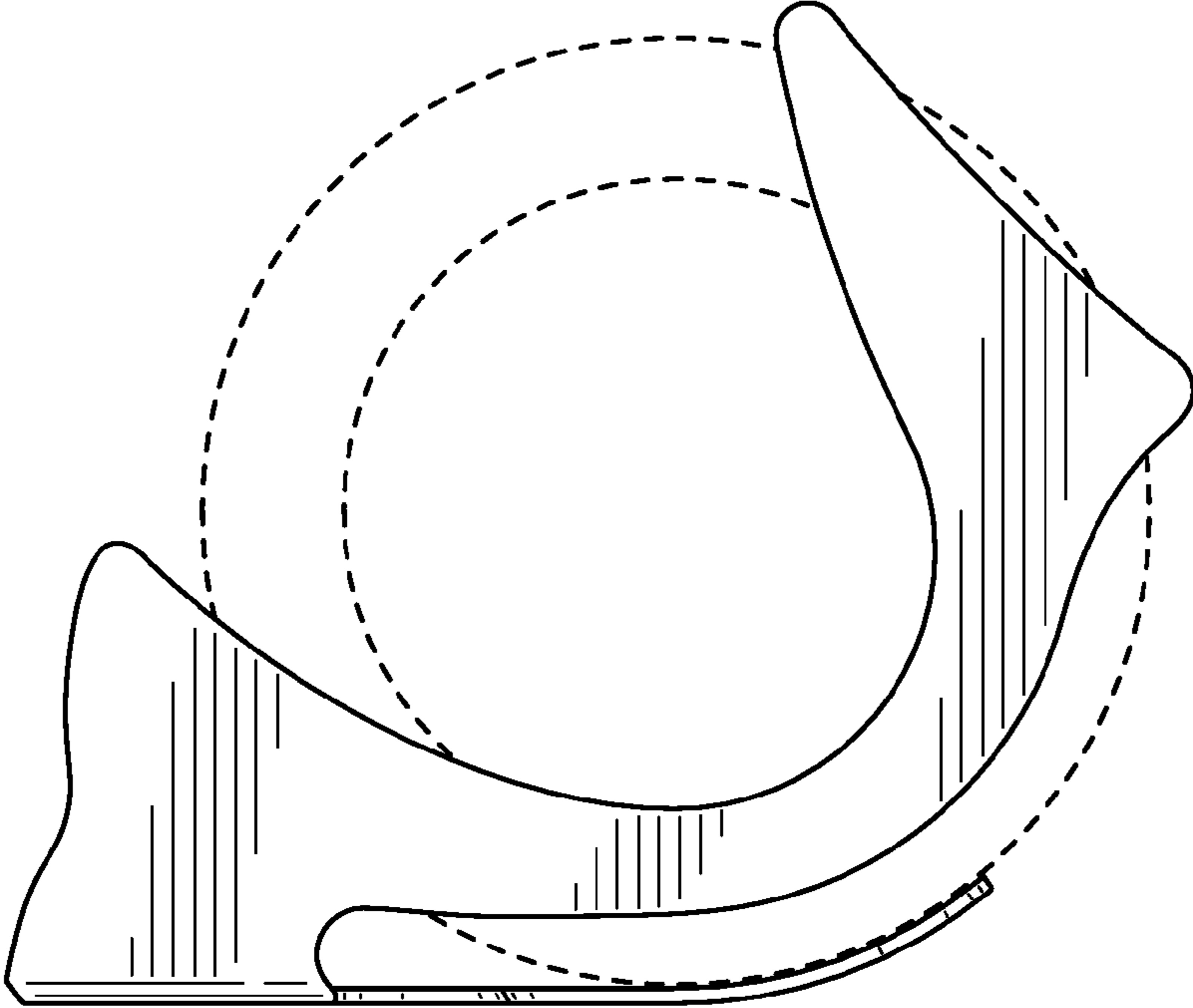


FIG. 6

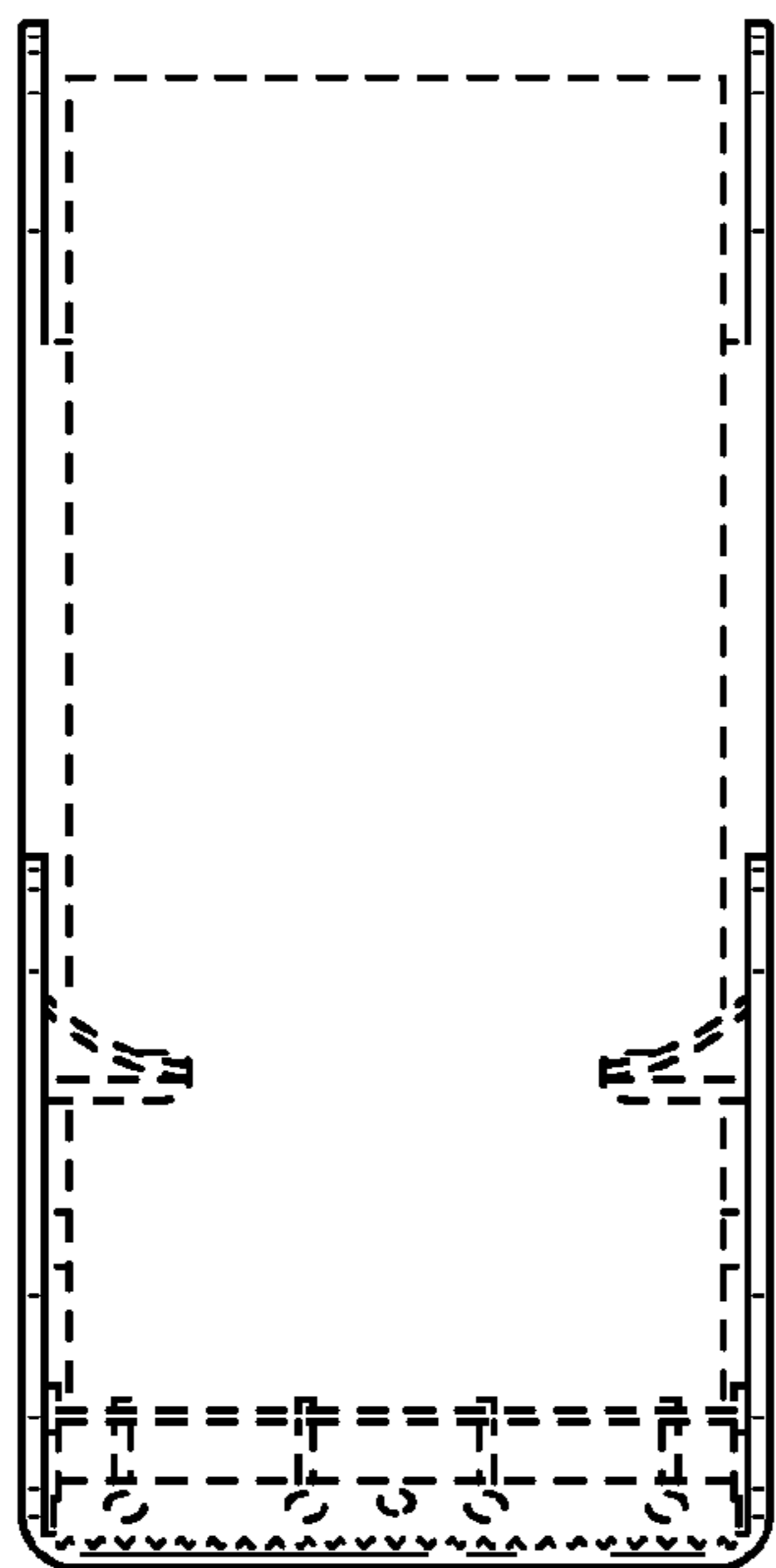


FIG. 7

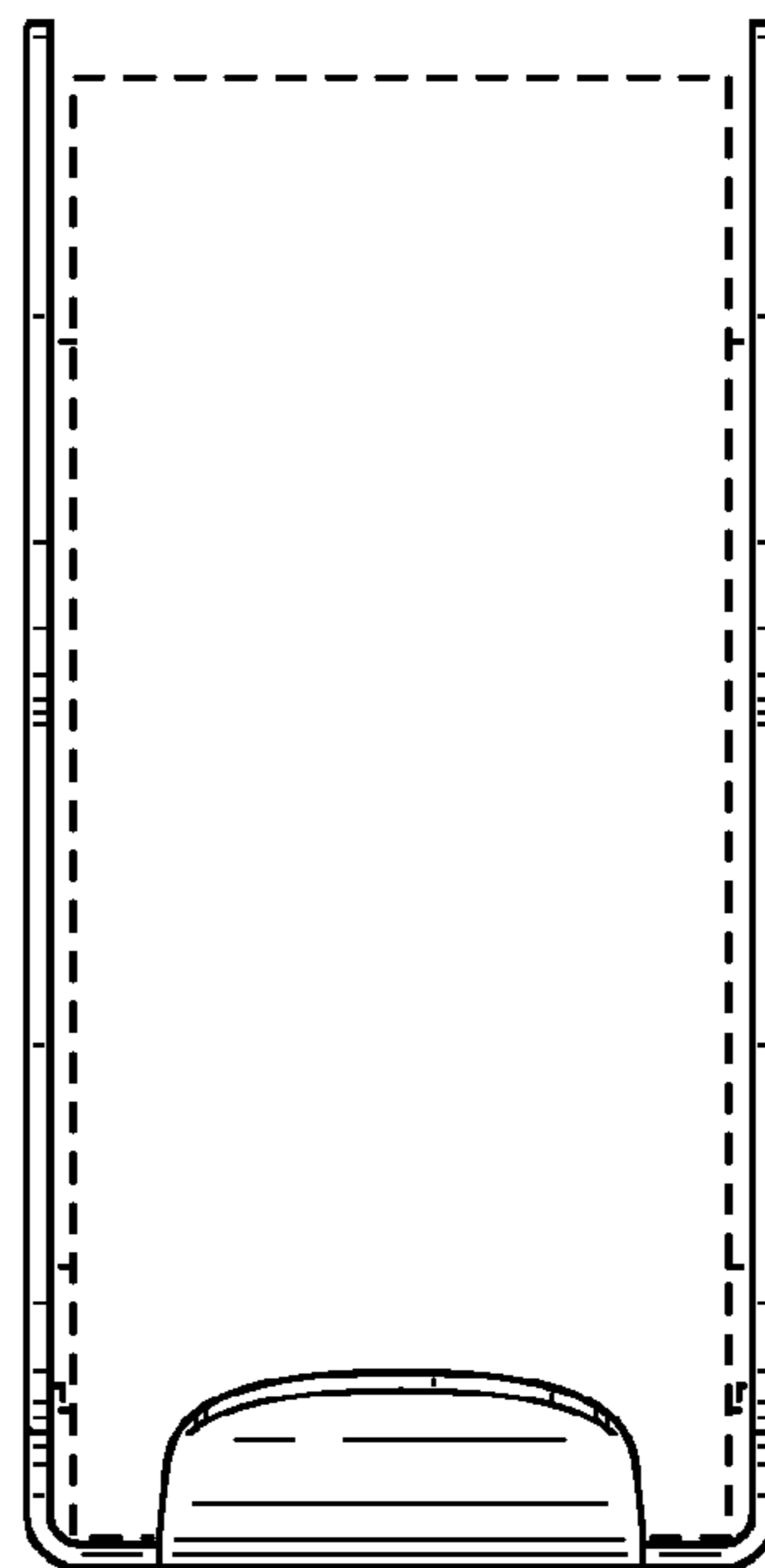


FIG. 8

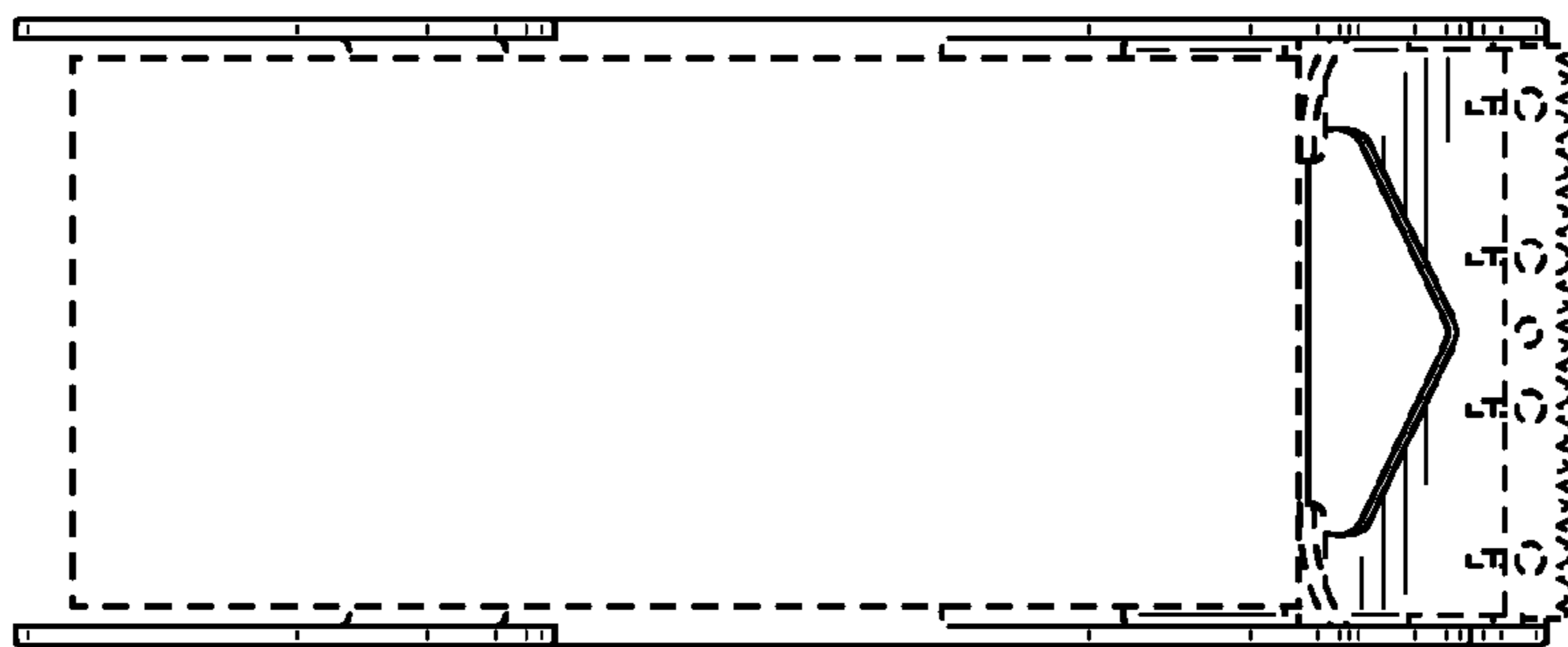


FIG. 9

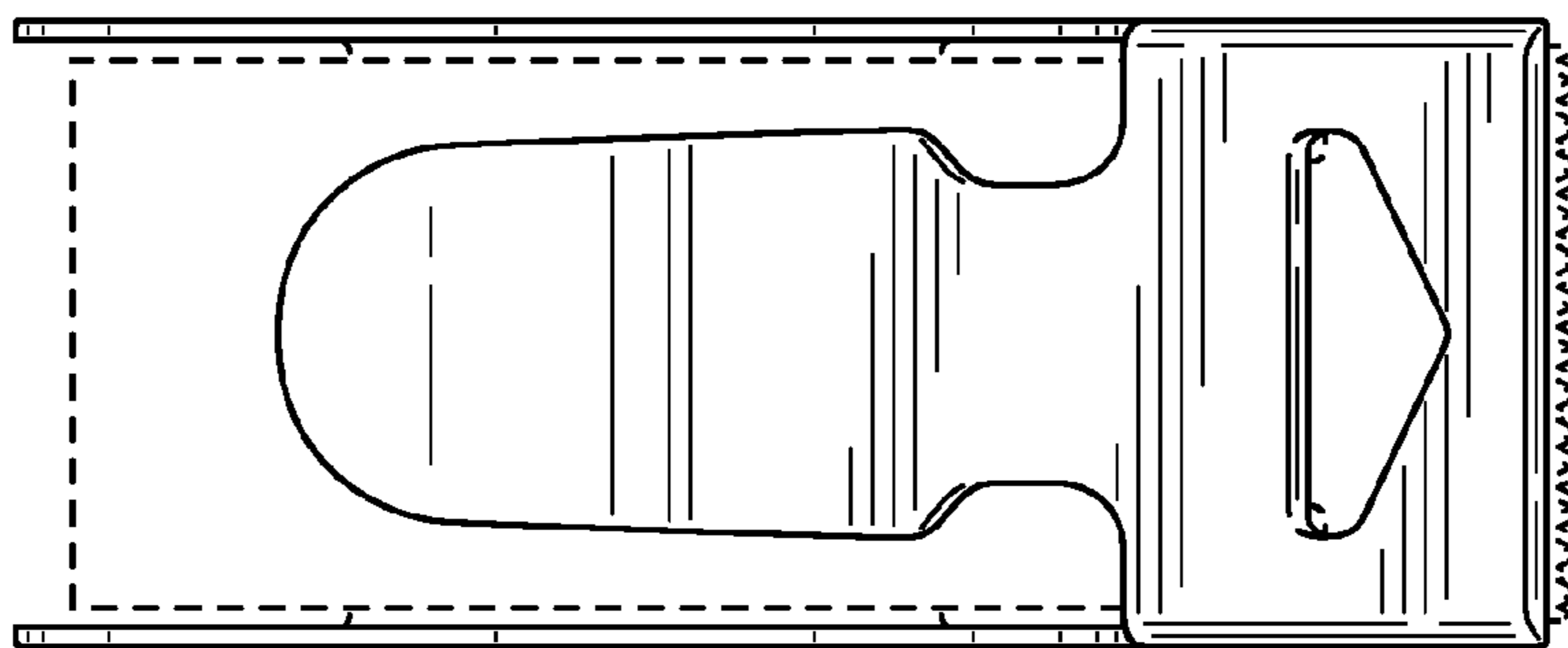


FIG. 10