



US00D573644S

(12) **United States Design Patent**
Bhavnani

(10) **Patent No.:** **US D573,644 S**

(45) **Date of Patent:** **** Jul. 22, 2008**

(54) **PEN CAP AND CLIP**

(75) Inventor: **Dilip Bhavnani**, Beverly Hills, CA (US)

(73) Assignee: **Sun Coast Merchandise Corporation**,
Commerce, CA (US)

(**) Term: **14 Years**

(21) Appl. No.: **29/282,657**

(22) Filed: **Jul. 26, 2007**

(51) **LOC (8) Cl.** **19-06**

(52) **U.S. Cl.** **D19/57**

(58) **Field of Classification Search** D19/35,
D19/36, 41-51, 53-57; 24/11 R, 11 F, 11 P;
401/52, 99, 100, 104-109, 192, 195, 196
See application file for complete search history.

(56) **References Cited**

U.S. PATENT DOCUMENTS

D115,916 S *	8/1939	Donato	D19/36
D143,176 S *	12/1945	Whitehouse	D19/51
D151,661 S *	11/1948	Sherrer	D19/21
D181,244 S *	10/1957	Zierhut	D19/51
D182,162 S *	2/1958	Carreiro	D19/51
D182,163 S *	2/1958	Carreiro	D19/57
D182,216 S *	2/1958	Zilerhut	D19/57
D263,318 S *	3/1982	Oka	D19/51
D310,100 S *	8/1990	Yubisui	D19/48
D364,641 S *	11/1995	Osterhout	D19/36
D364,892 S *	12/1995	Lin	D19/49
D365,364 S *	12/1995	Tseng	D19/50

D366,902 S *	2/1996	Takahashi	D19/51
D401,275 S *	11/1998	Otake	D19/43
D401,278 S *	11/1998	Hu	D19/51
D403,706 S *	1/1999	Fukami	D19/51
D404,427 S *	1/1999	Takanashi	D19/48
D409,241 S *	5/1999	Melnick	D19/36
D479,856 S *	9/2003	Hui	D19/43
D504,153 S *	4/2005	Yang	D19/43

* cited by examiner

Primary Examiner—Elizabeth A Albert

(74) *Attorney, Agent, or Firm*—The Soni Law Firm

(57) **CLAIM**

The ornamental design for a pen cap and clip, as shown and described.

DESCRIPTION

FIG. 1 is a front bottom side perspective view of the pen cap and clip showing my new design;

FIG. 2 is a front elevational view thereof;

FIG. 3 is a right elevational view thereof;

FIG. 4 is a back elevational view thereof;

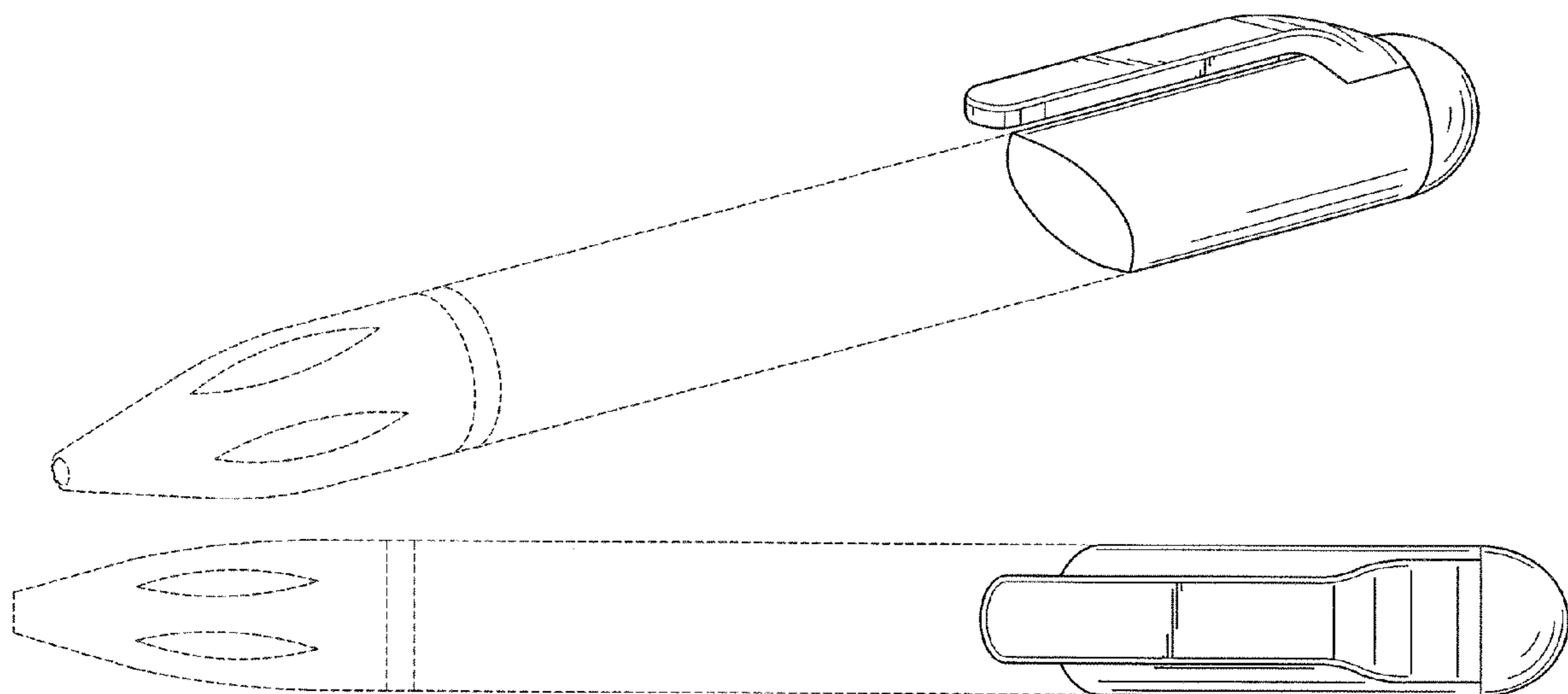
FIG. 5 is a left elevational view thereof;

FIG. 6 is a bottom plan view thereof; and,

FIG. 7 is a top plan view thereof.

The broken lines depicting environmental structure are for illustrative purposes only and form no part of the claimed design.

1 Claim, 2 Drawing Sheets



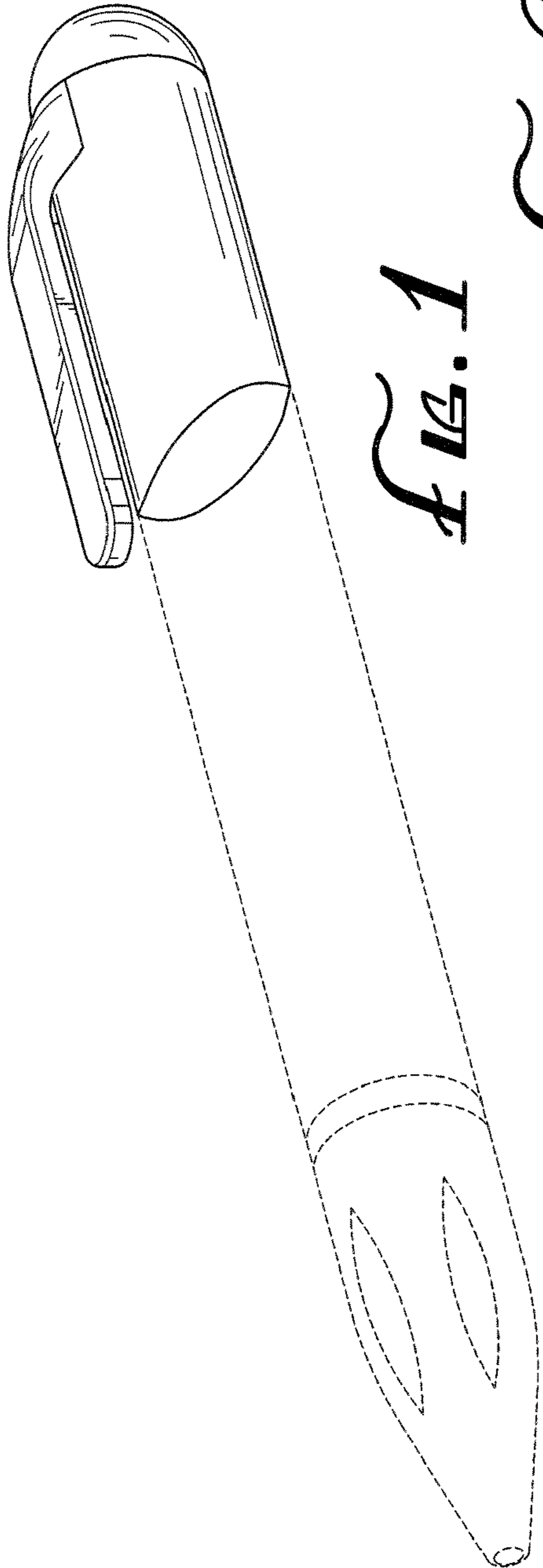


Fig. 1

Fig. 2

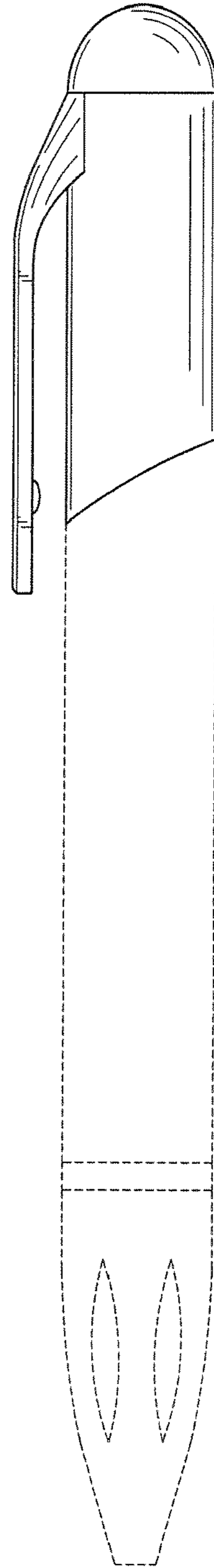
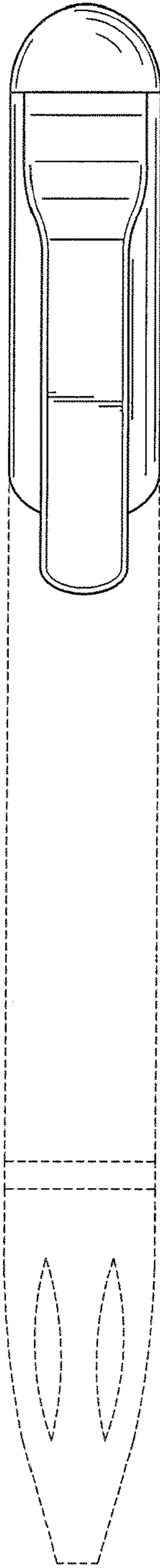


Fig. 3

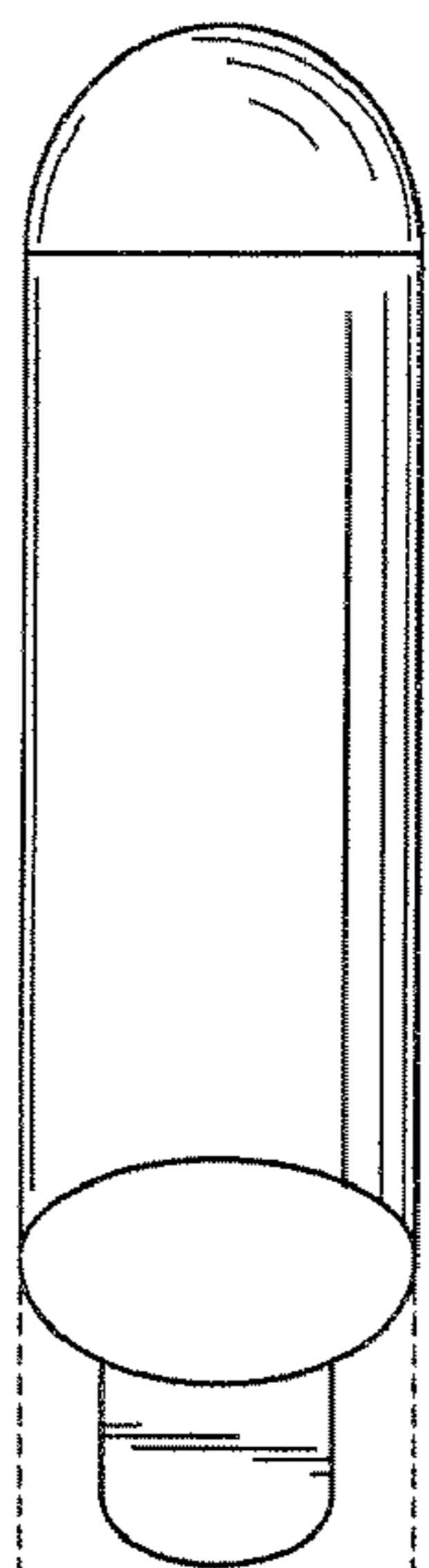


Fig. 4

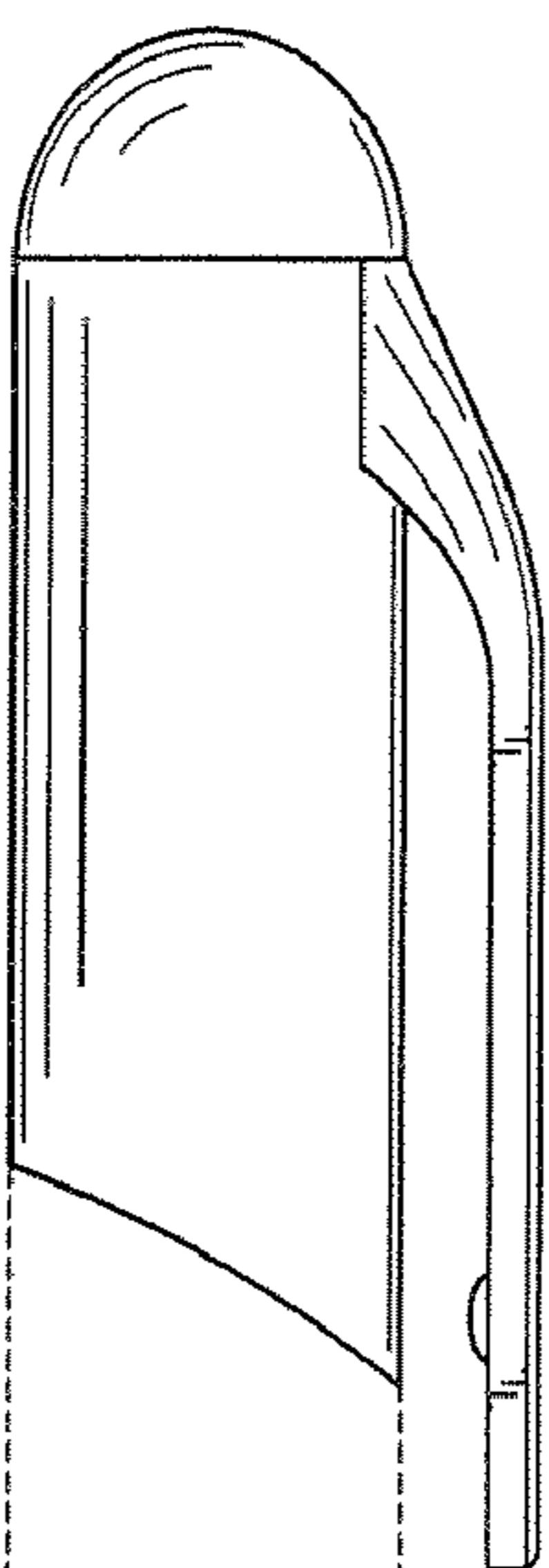


Fig. 5

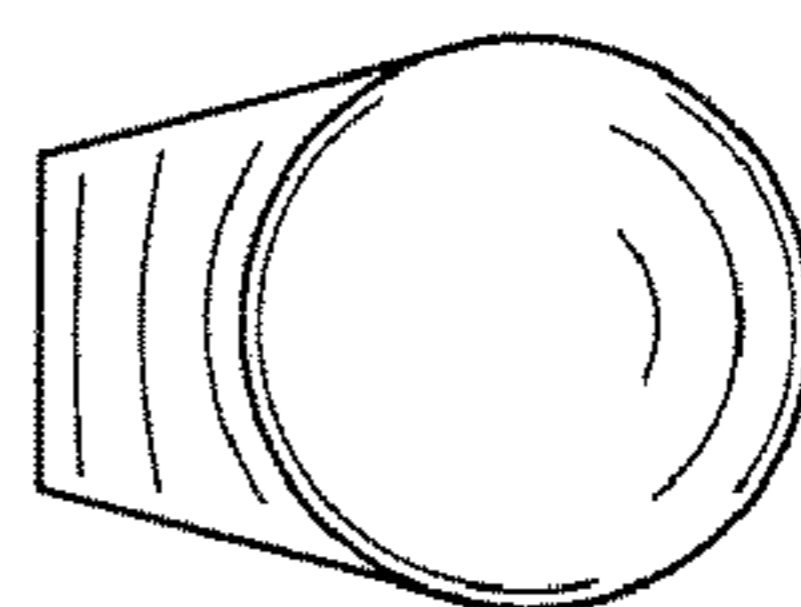


Fig. 6

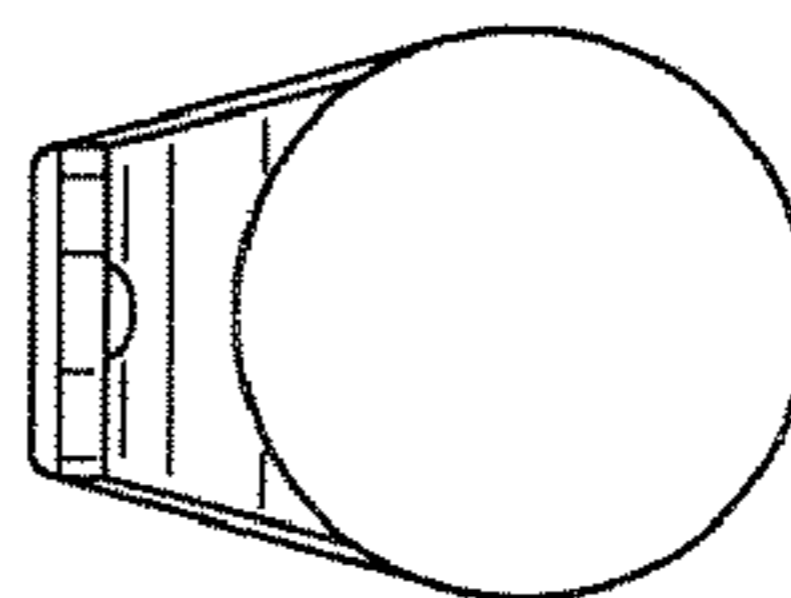


Fig. 7