



US00D573638S

(12) **United States Design Patent**
Takaghi

(10) **Patent No.:** **US D573,638 S**
(45) **Date of Patent:** **** Jul. 22, 2008**

(54) **JACKET COVER**

(75) Inventor: **Kazuhiko Takaghi**, Tokyo (JP)

(73) Assignee: **Mark's Inc.**, Tokyo (JP)

(**) Term: **14 Years**

(21) Appl. No.: **29/271,057**

(22) Filed: **Jan. 9, 2007**

(30) **Foreign Application Priority Data**

Sep. 19, 2006 (JP) 2006-024910

(51) **LOC (8) Cl.** **19-04**

(52) **U.S. Cl.** **D19/26**

(58) **Field of Classification Search** D19/26-33,
D19/86; 206/232, 450, 472; 281/15.1, 39,
281/44-45, 19.1, 21.1, 22, 29, 31, 38; 283/63.1,
283/64; 402/4, 31, 73

See application file for complete search history.

(56) **References Cited**

U.S. PATENT DOCUMENTS

| | | | | |
|--------------|------|---------|---------------|----------|
| 4,496,058 | A * | 1/1985 | Harris et al. | 40/308 |
| 4,629,349 | A * | 12/1986 | Pitts | 402/74 |
| 5,598,969 | A * | 2/1997 | Ong | 229/67.1 |
| D432,166 | S * | 10/2000 | Matheson | D19/33 |
| 6,382,864 | B1 * | 5/2002 | Moor | 402/79 |
| 6,390,712 | B1 * | 5/2002 | Urness | 402/4 |
| 6,612,771 | B1 * | 9/2003 | Su | 402/57 |
| 6,932,534 | B2 * | 8/2005 | O'Hara | 402/73 |
| 7,237,805 | B2 * | 7/2007 | Fasan et al. | 281/29 |
| 2002/0009352 | A1 * | 1/2002 | Nakabayashi | 412/1 |

* cited by examiner

Primary Examiner—Elizabeth A. Albert

Assistant Examiner—Kelley A. Donnelly

(74) *Attorney, Agent, or Firm*—Andrew F. Young;
Lackebach Siegel LLP

(57) **CLAIM**

The ornamental design for a jacket cover, as shown and described.

DESCRIPTION

FIG. 1 is an inside view of the jacket cover of the present invention.

FIG. 2 is an outside view of the jacket cover shown in FIG. 1.

FIG. 3 is a top plan view of the jacket cover shown in FIG. 1.

FIG. 4 is a bottom plan view of the jacket cover shown in FIG. 1.

FIG. 5 is a right view of the jacket cover shown in FIG. 1.

FIG. 6 is a left view of the jacket cover shown in FIG. 1.

FIG. 7 is a cross sectional view taken along the line 7—7 in FIG. 2.

FIG. 8 is a cross sectional view taken along the line 8—8 in FIG. 2.

FIG. 9 is an enlarged fragmentary cross sectional view of part of FIG. 7.

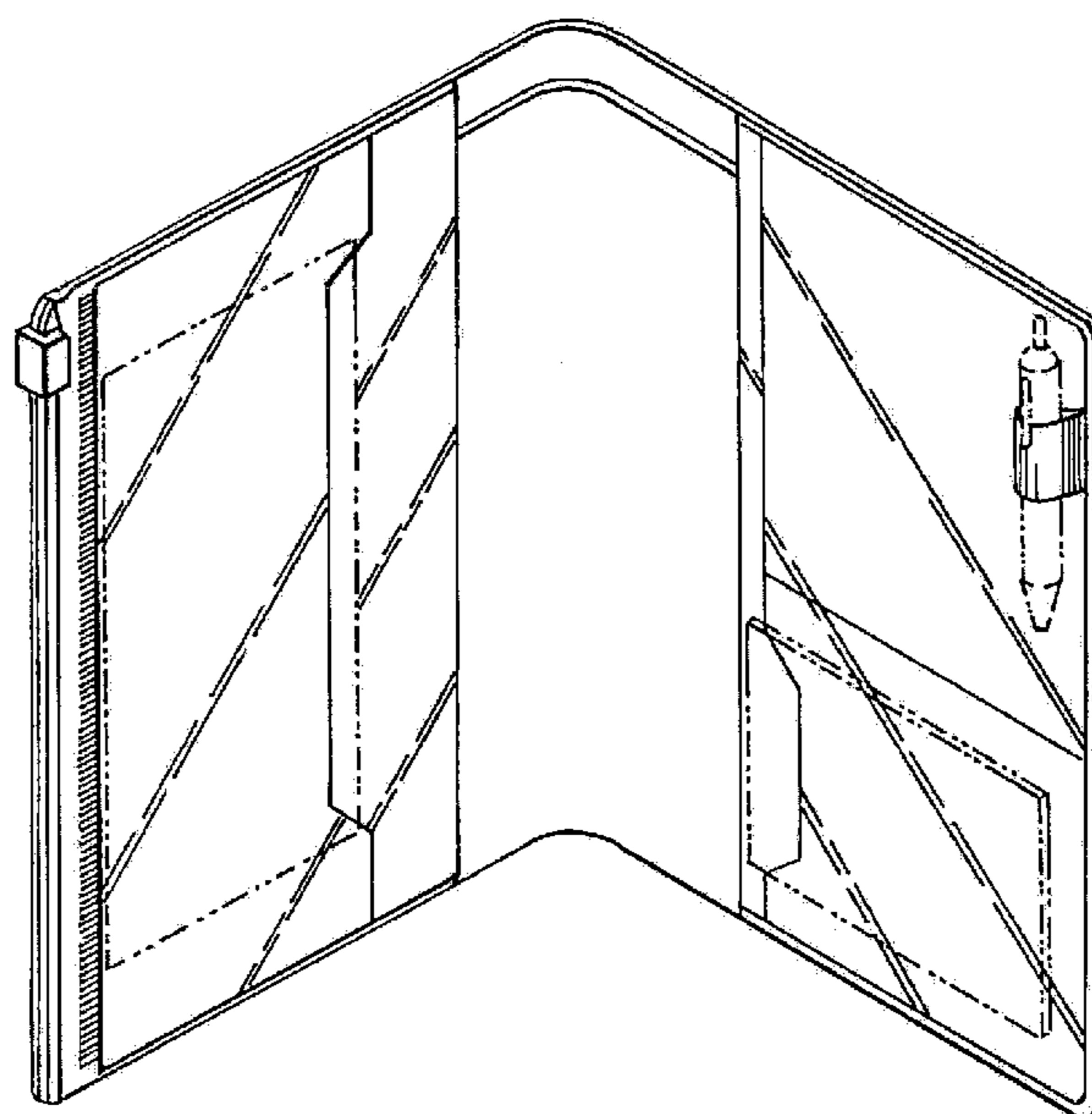
FIG. 10 is an enlarged fragmentary cross sectional view of part of FIG. 8.

FIG. 11 is an inside perspective view of FIG. 2; and,

FIG. 12 is an outside perspective view of FIG. 1.

The broken lines showing memo paper, note, pen, card, and ticket are for environmental purposes only and form no part of the claimed design.

1 Claim, 4 Drawing Sheets



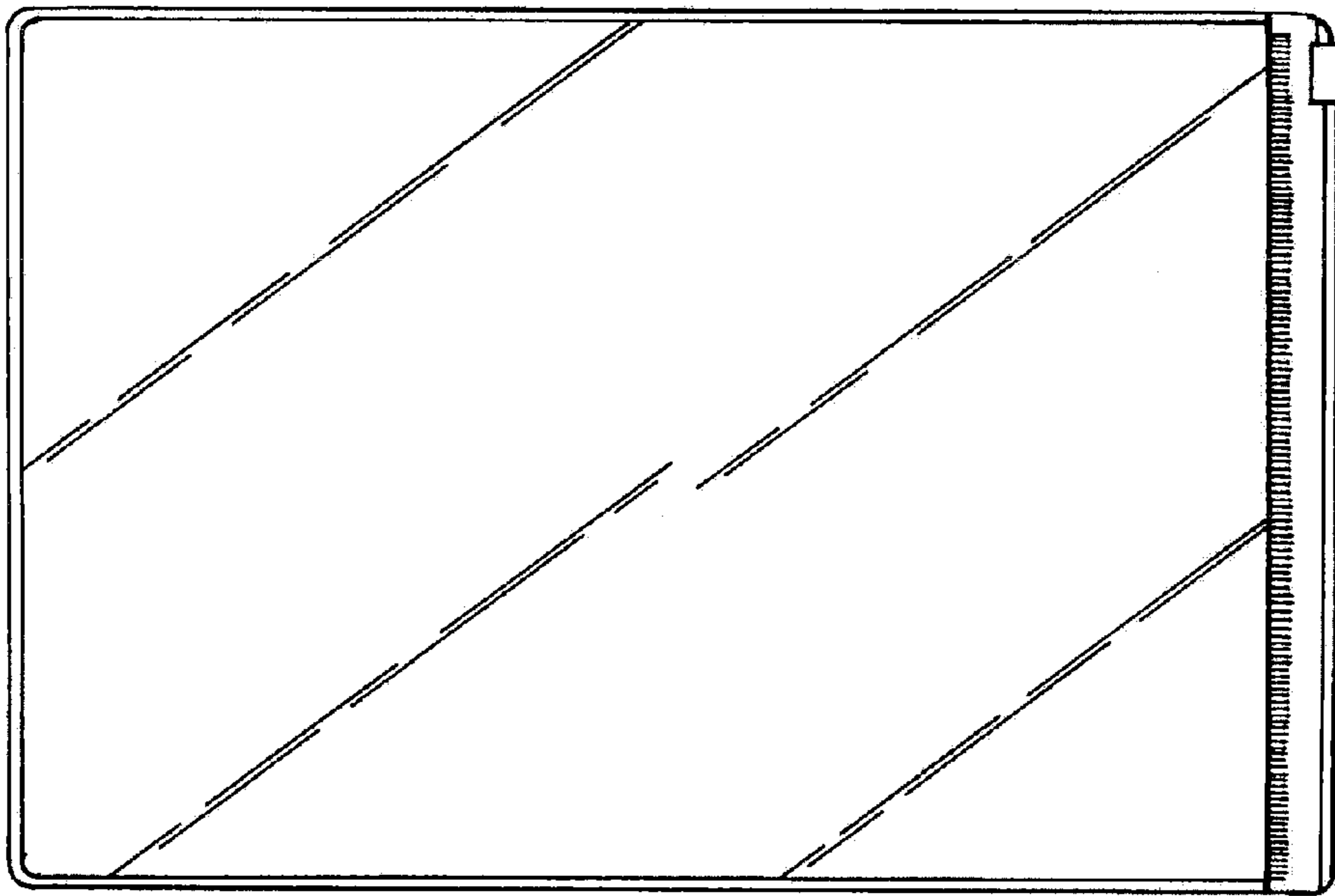


Fig. 1

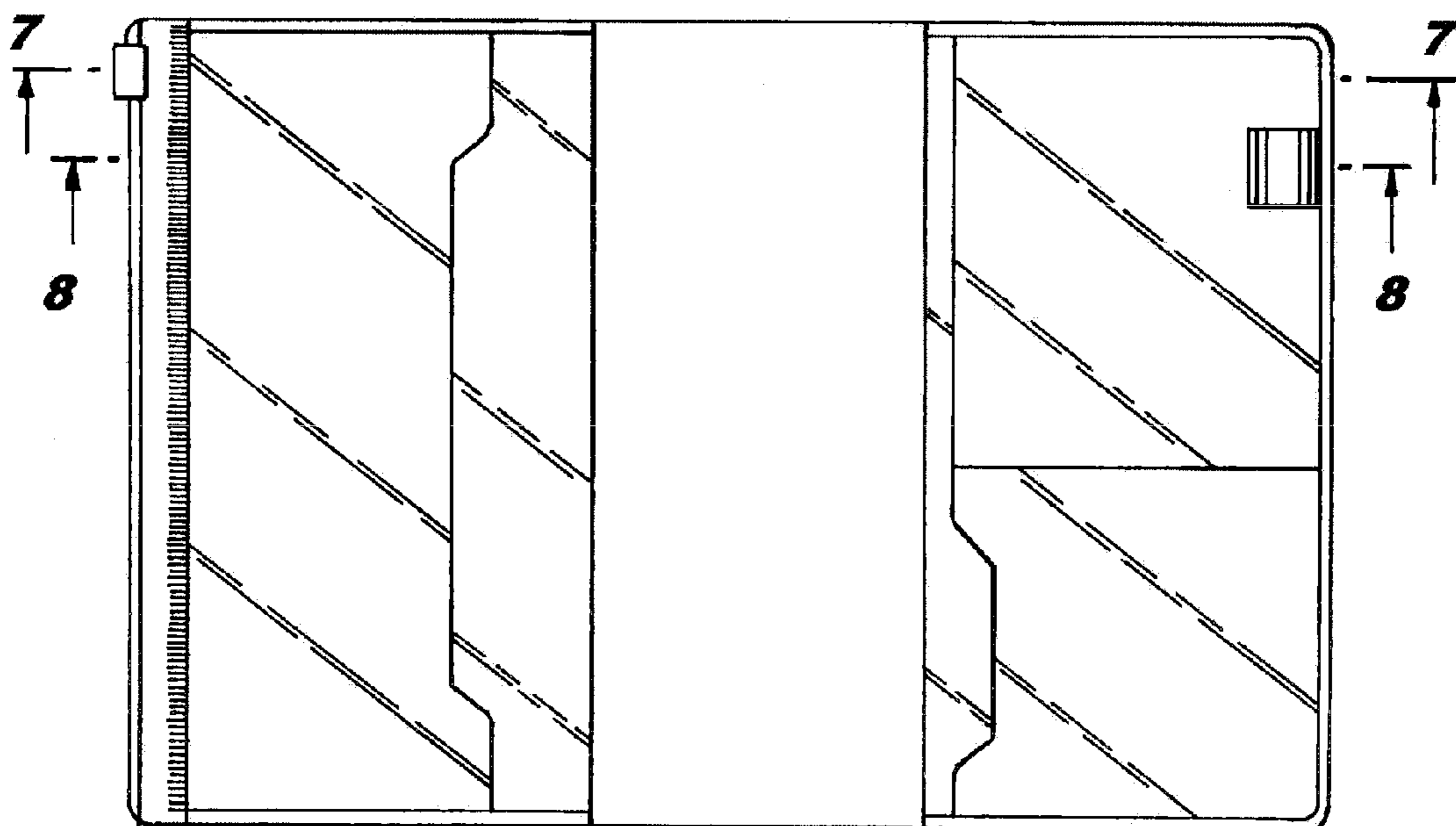


Fig. 2

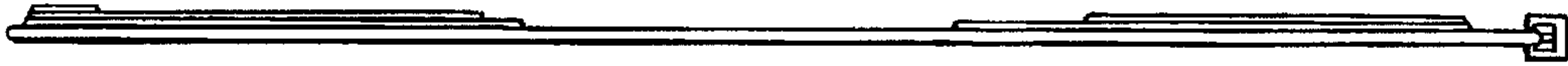


Fig. 3

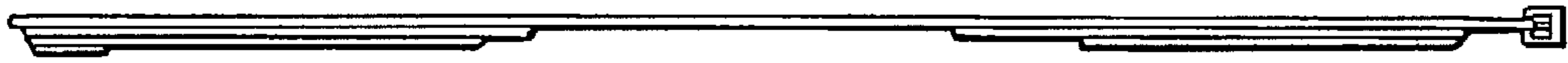


Fig. 4



Fig. 5



Fig. 6

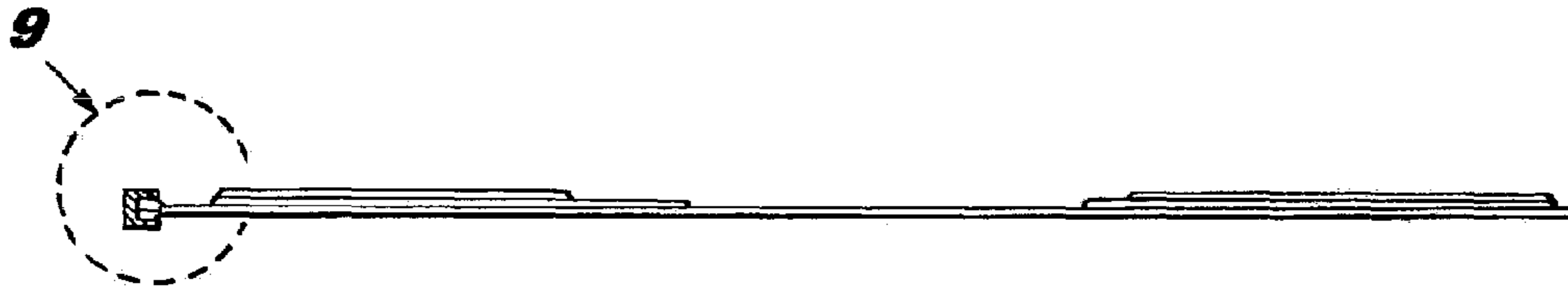


Fig. 7

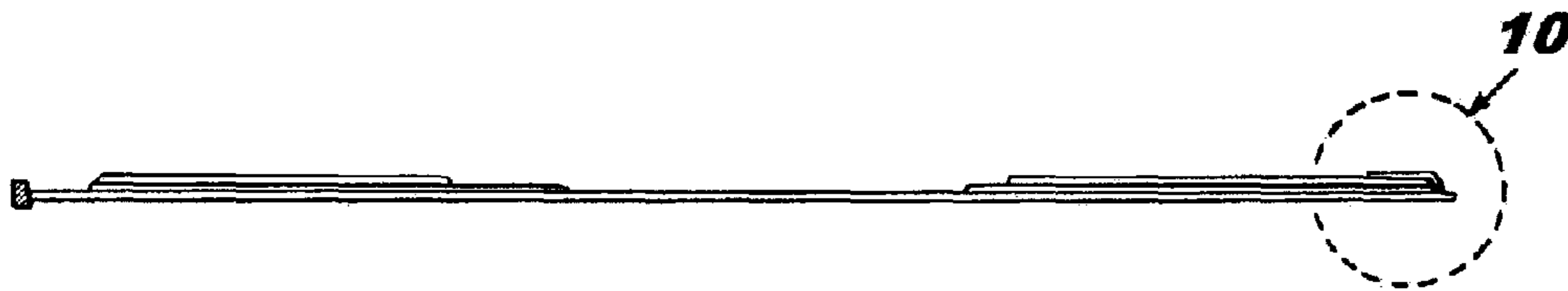


Fig. 8

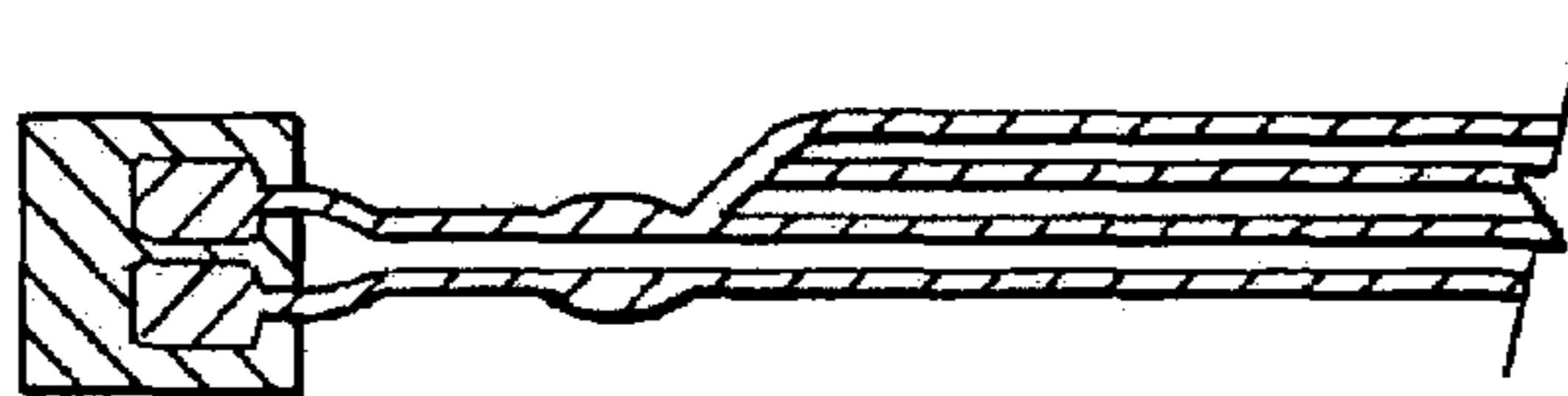


Fig. 9

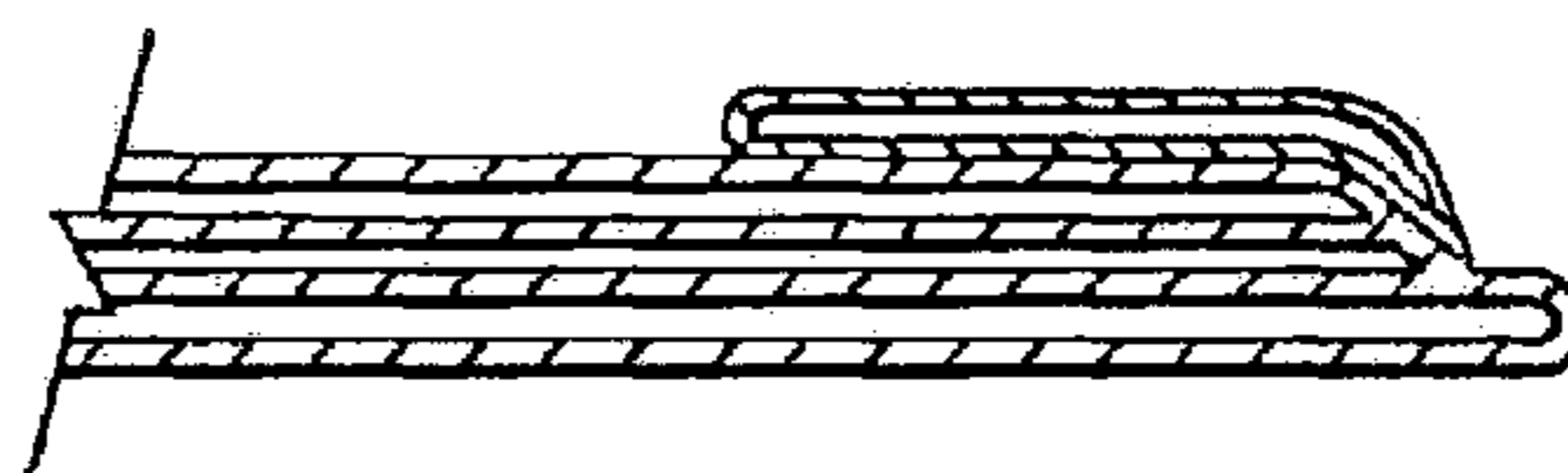


Fig. 10

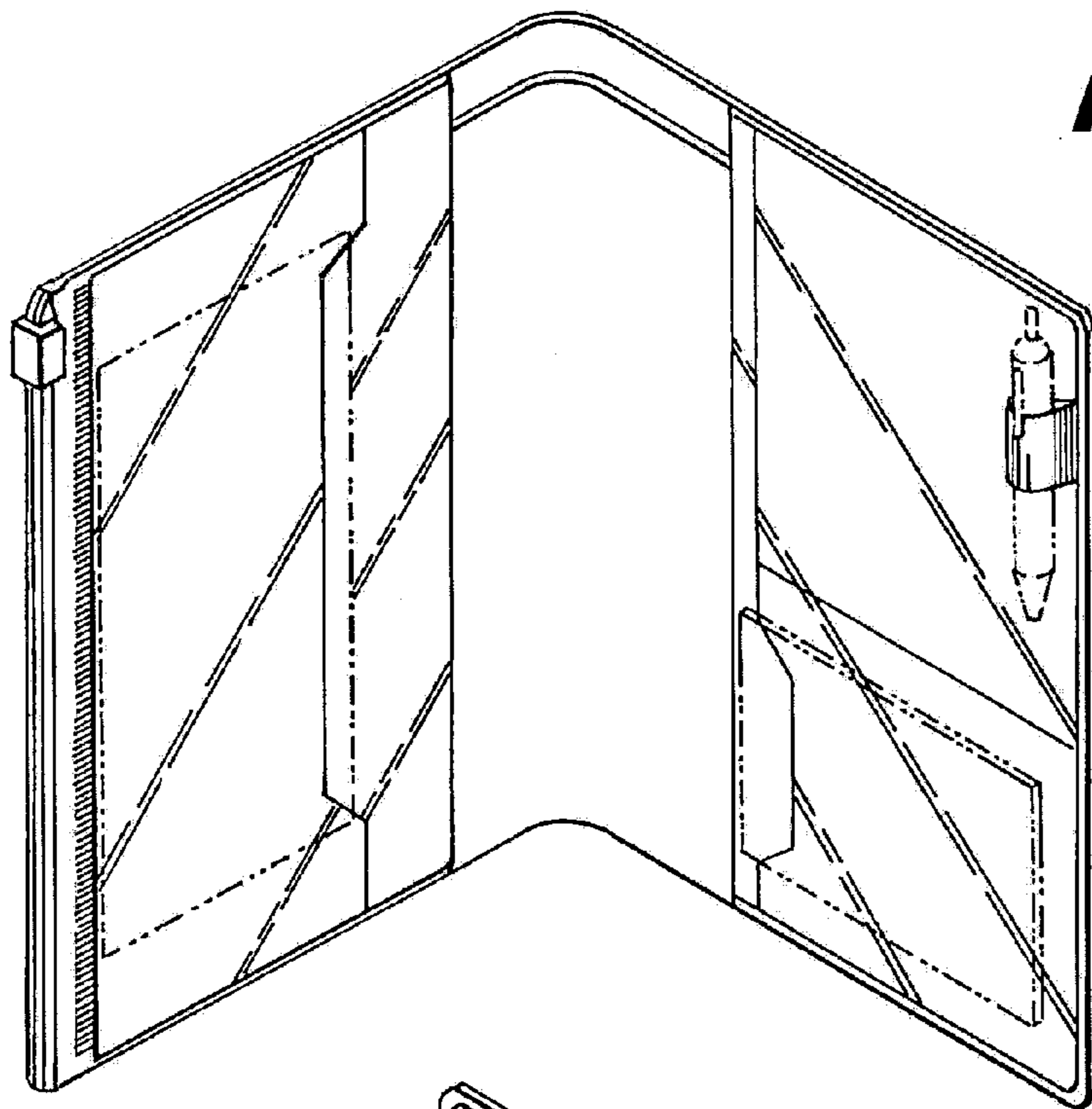


Fig. 11

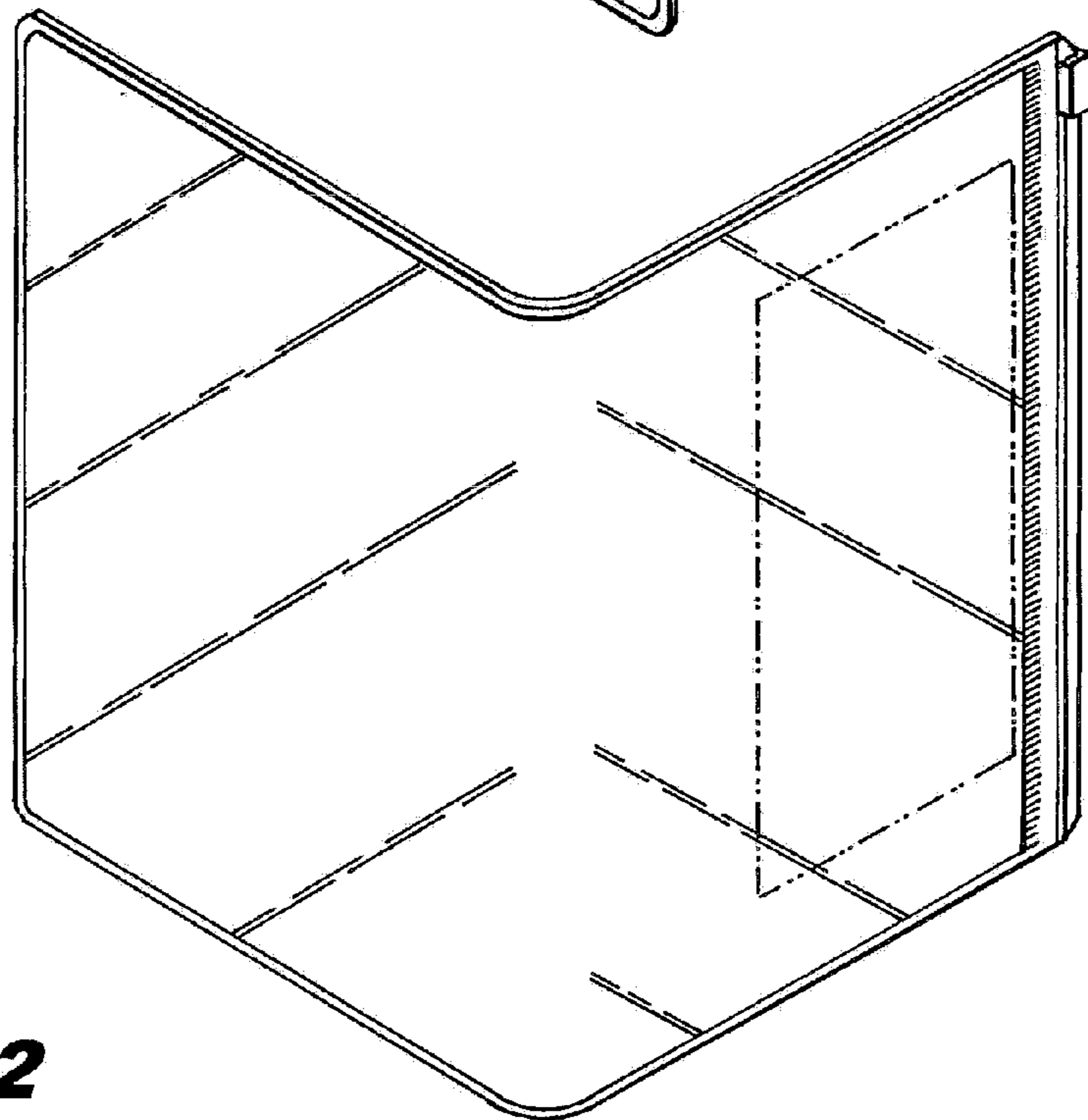


Fig. 12