



US00D573634S

(12) **United States Design Patent**  
**Horiuchi et al.**

(10) **Patent No.:** **US D573,634 S**  
(45) **Date of Patent:** **\*\* Jul. 22, 2008**

(54) **PAPER CARTRIDGE FOR PRINTER**

(75) Inventors: **Takashi Horiuchi**, Kariya (JP);  
**Yasunori Nakamura**, Shinshiro (JP);  
**Yoshikatsu Suito**, Nagoya (JP)

(73) Assignee: **Brother Industries, Ltd.**, Nagoya (JP)

(\*\*) Term: **14 Years**

(21) Appl. No.: **29/274,953**

(22) Filed: **Jun. 12, 2007**

(51) **LOC (8) Cl.** ..... **18-02**

(52) **U.S. Cl.** ..... **D18/56**

(58) **Field of Classification Search** ..... D18/40,  
D18/43, 44, 56; 347/86-87; 206/449  
See application file for complete search history.

(56) **References Cited**

U.S. PATENT DOCUMENTS

1,695,432	A *	12/1928	Lovejoy	.....	206/449
3,188,542	A *	6/1965	Dietrich	.....	318/681
4,185,745	A *	1/1980	Moser et al.	.....	206/556

(Continued)

*Primary Examiner*—Cathy Anne MacCormac

(74) *Attorney, Agent, or Firm*—Oloff & Berridge, PLC

(57) **CLAIM**

The ornamental design for a paper cartridge for printer, as shown and described.

**DESCRIPTION**

FIG. 1 is a reduced top perspective view of a paper cartridge for a printer with a lid in the closed position against the top of the cartridge;

FIG. 2 is a reduced top perspective view thereof with an unclaimed portion removed so as not to obscure the claimed subject matter;

FIG. 3 is a top view of FIG. 1;

FIG. 4 is a top view of FIG. 2;

FIG. 5 is a front view of FIG. 1;

FIG. 6 is a right-side view of FIG. 1;

FIG. 7 is a rear view of FIG. 1;

FIG. 8 is a bottom view of FIG. 1;

FIG. 9 is a reduced bottom view of FIG. 1;

FIG. 10 is a reduced top view of FIG. 1 in an unfolded position so the inside is visible;

FIG. 11 is a reduced top perspective view thereof with the lid in the folded condition against the bottom of the cartridge;

FIG. 12 is a reduced top perspective view of FIG. 11 with an unclaimed portion removed so as not to obscure the claimed subject matter;

FIG. 13 is a top view of FIG. 11;

FIG. 14 is the top view of FIG. 12;

FIG. 15 is a front view of FIG. 11;

FIG. 16 is a right-side of view FIG. 11;

FIG. 17 is a left-side view of FIG. 11;

FIG. 18 is a rear view of FIG. 11;

FIG. 19 is a bottom view of FIG. 11;

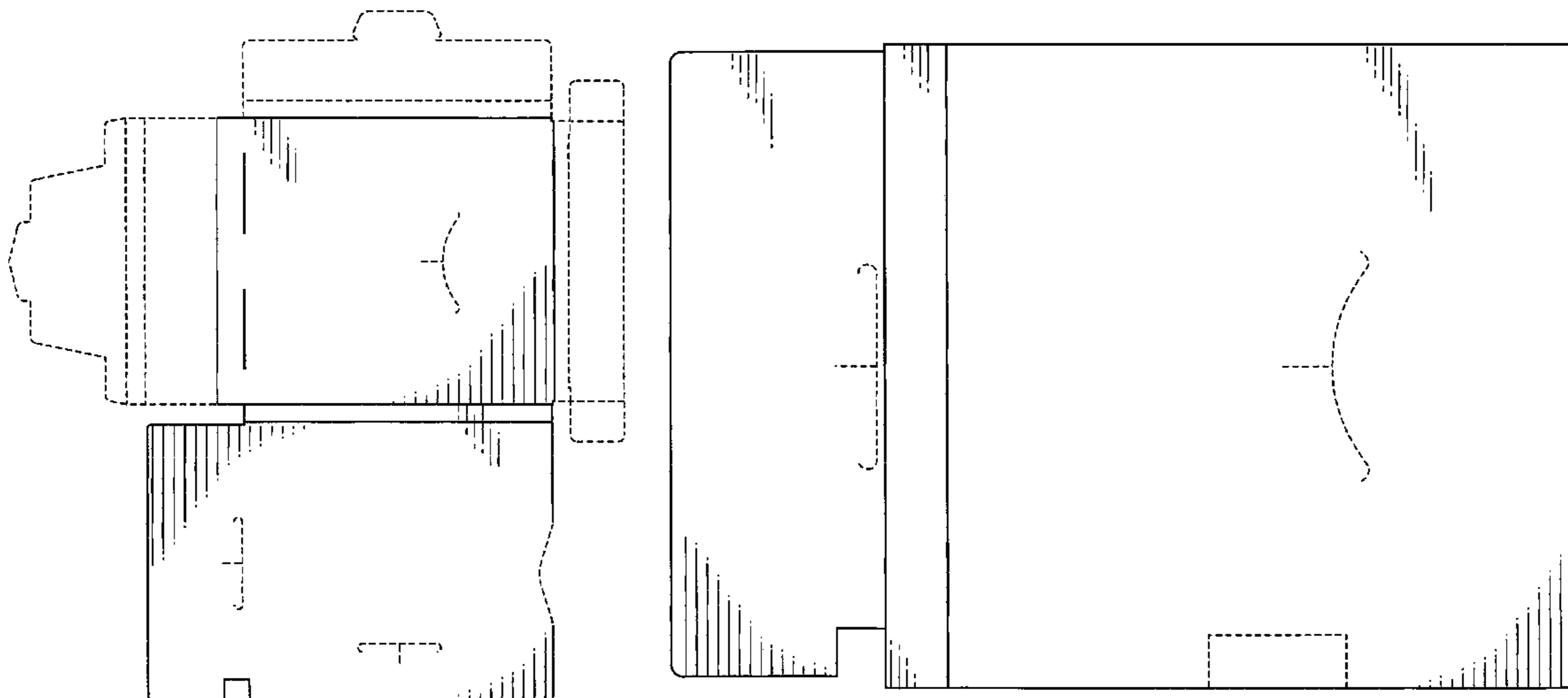
FIG. 20 is a bottom view of FIG. 12;

FIG. 21 is a reduced bottom perspective view of FIG. 11; and,

FIG. 22 is a reduced bottom perspective view of FIG. 12.

The broken lines are for illustrative purposes only and form no part of the claimed design.

**1 Claim, 14 Drawing Sheets**



# US D573,634 S

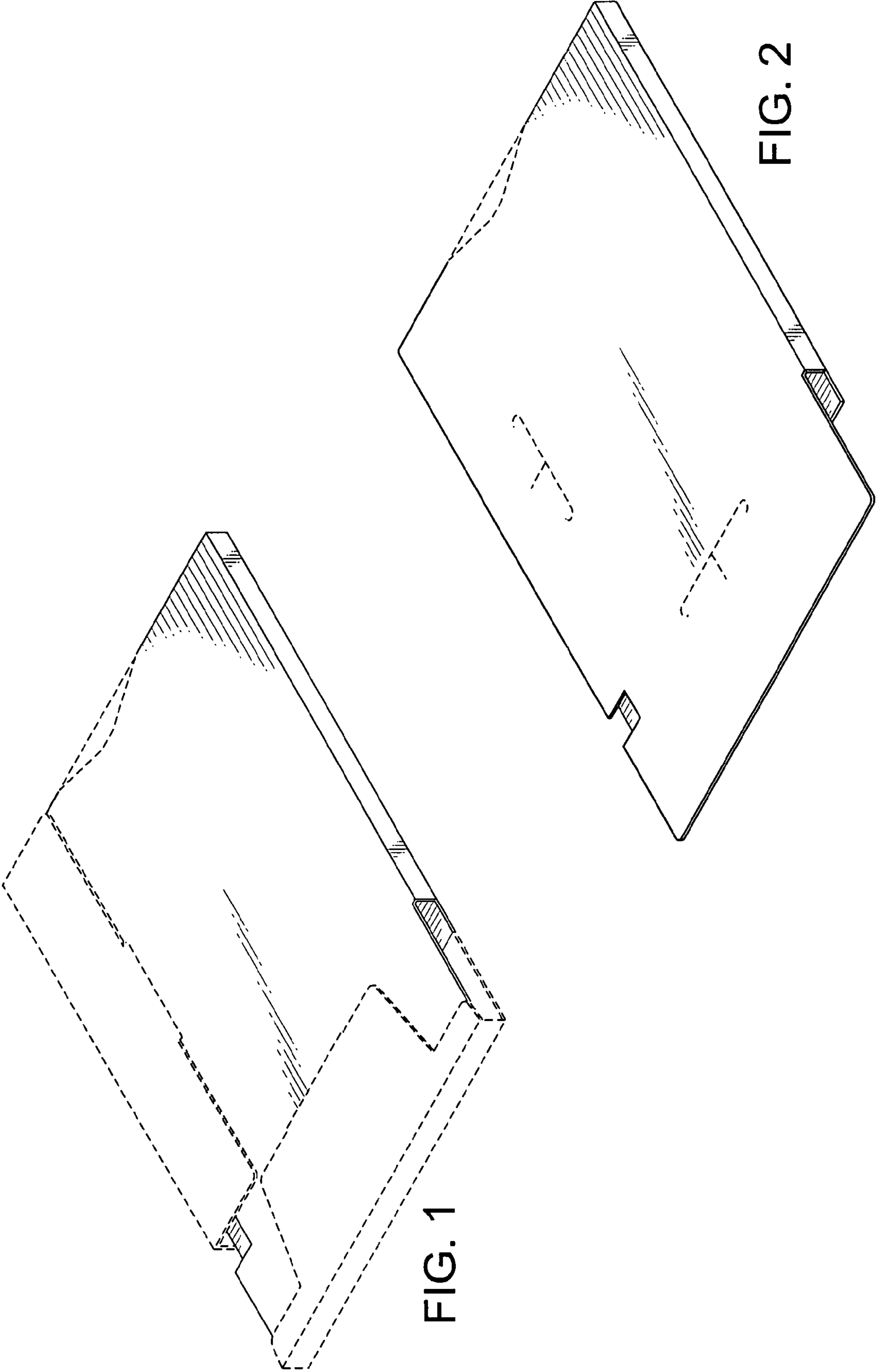
Page 2

---

## U.S. PATENT DOCUMENTS

D258,066 S *	1/1981	DeGregorio	.....	D18/44	D462,088 S *	8/2002	Shinano et al.	.....	D18/56
5,630,546 A *	5/1997	Velch	.....	206/449	D512,740 S *	12/2005	Nakamura et al.	.....	D18/56
6,217,019 B1 *	4/2001	Ishiduka et al.	.....	206/449	D542,340 S *	5/2007	Nakamura et al.	.....	D18/56
6,227,732 B1 *	5/2001	Higuchi et al.	.....	206/449	7,281,873 B2 *	10/2007	Yamamoto et al.	.....	206/449
6,318,918 B1 *	11/2001	Sasaki et al.	.....	400/624	2001/0011795 A1 *	8/2001	Ohtsuka et al.	.....	271/145

\* cited by examiner



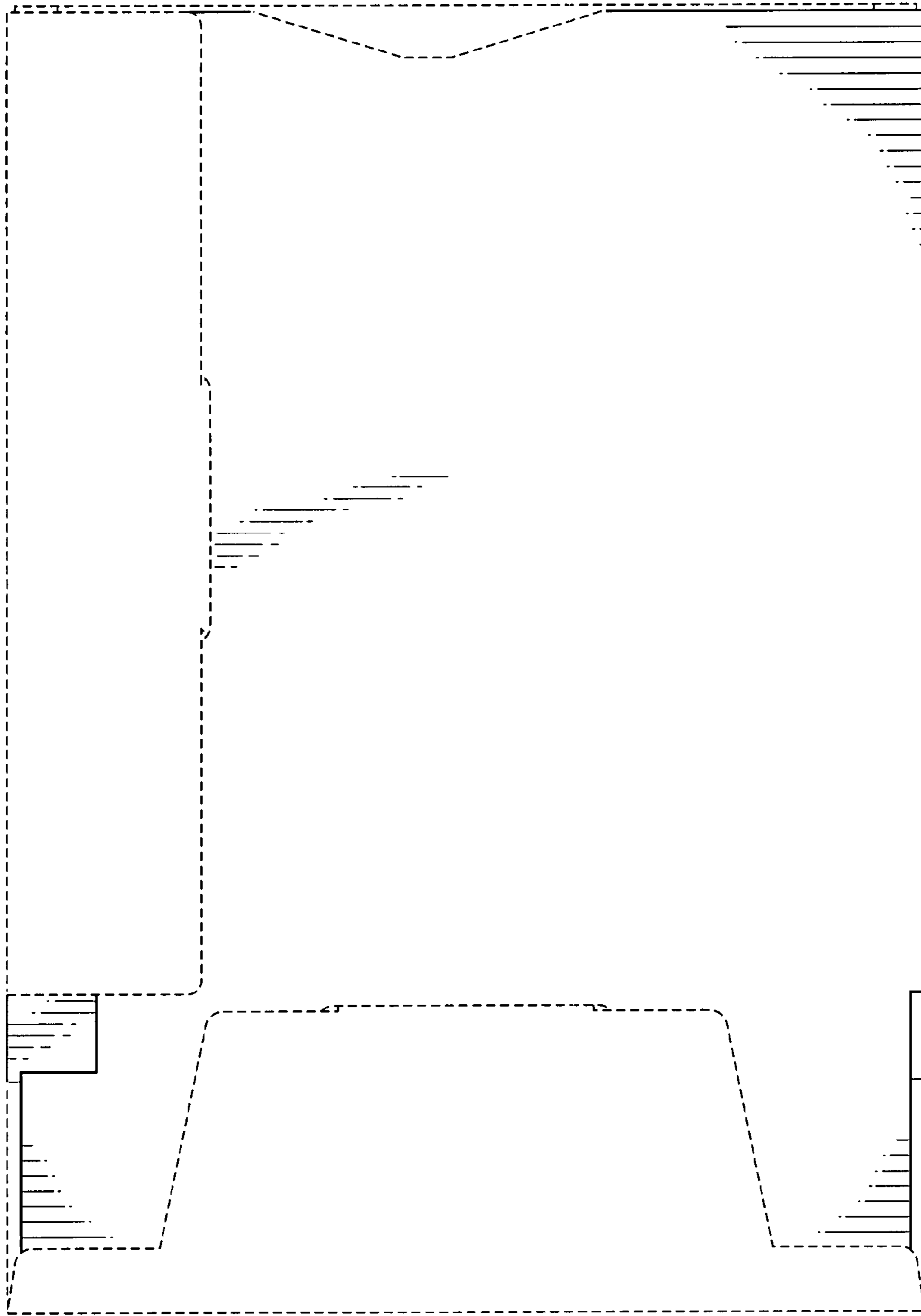


FIG. 3

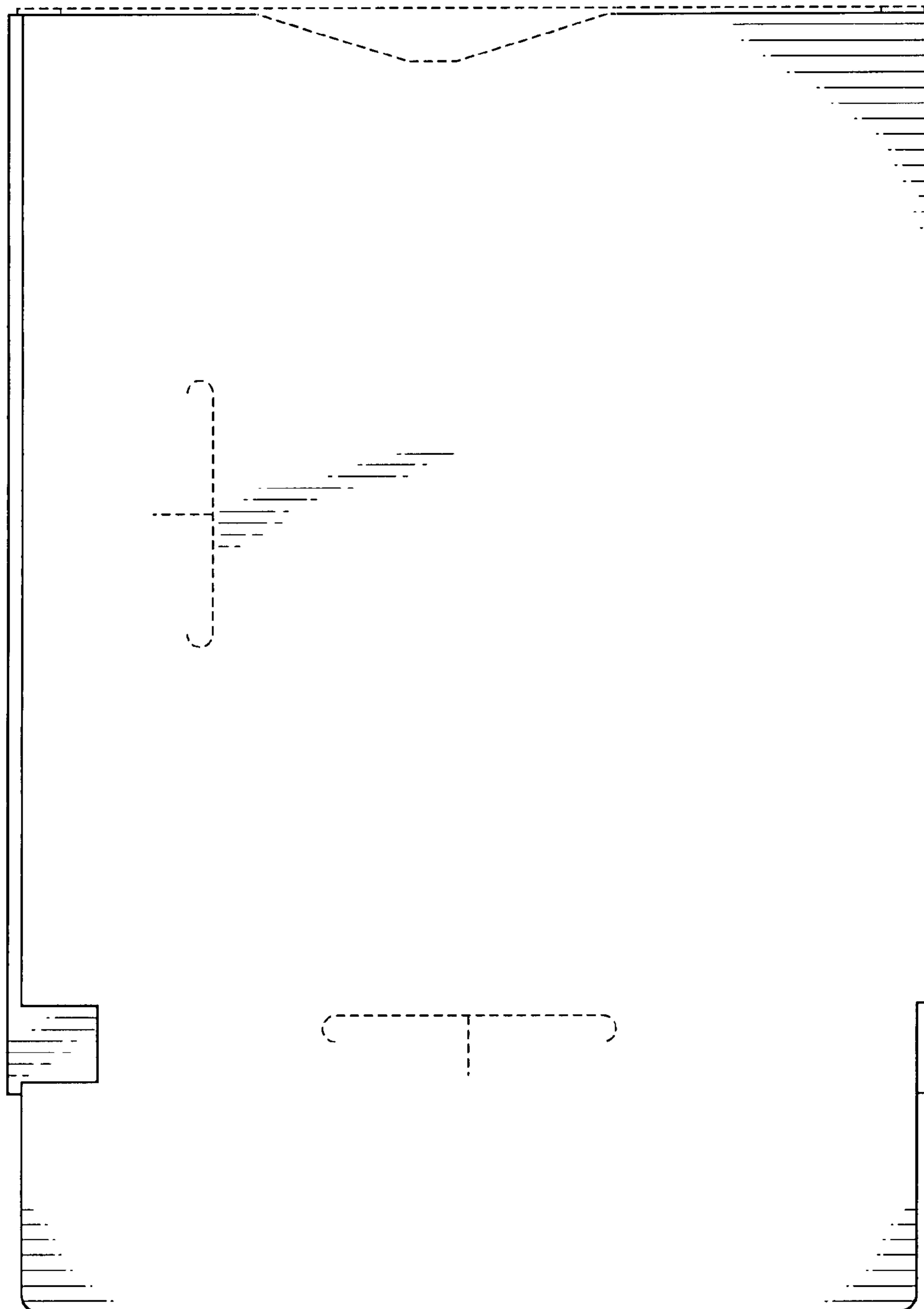


FIG. 4

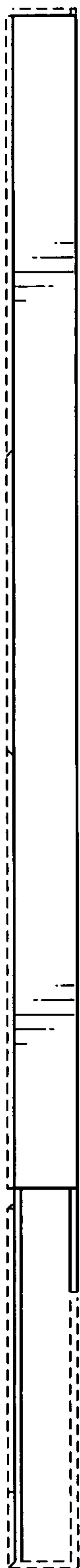


FIG. 5



FIG. 6

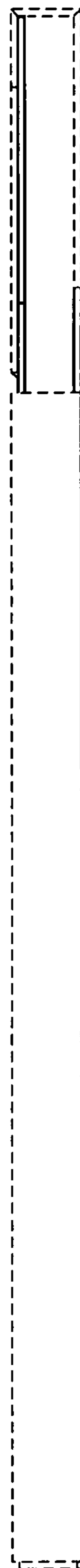


FIG. 7

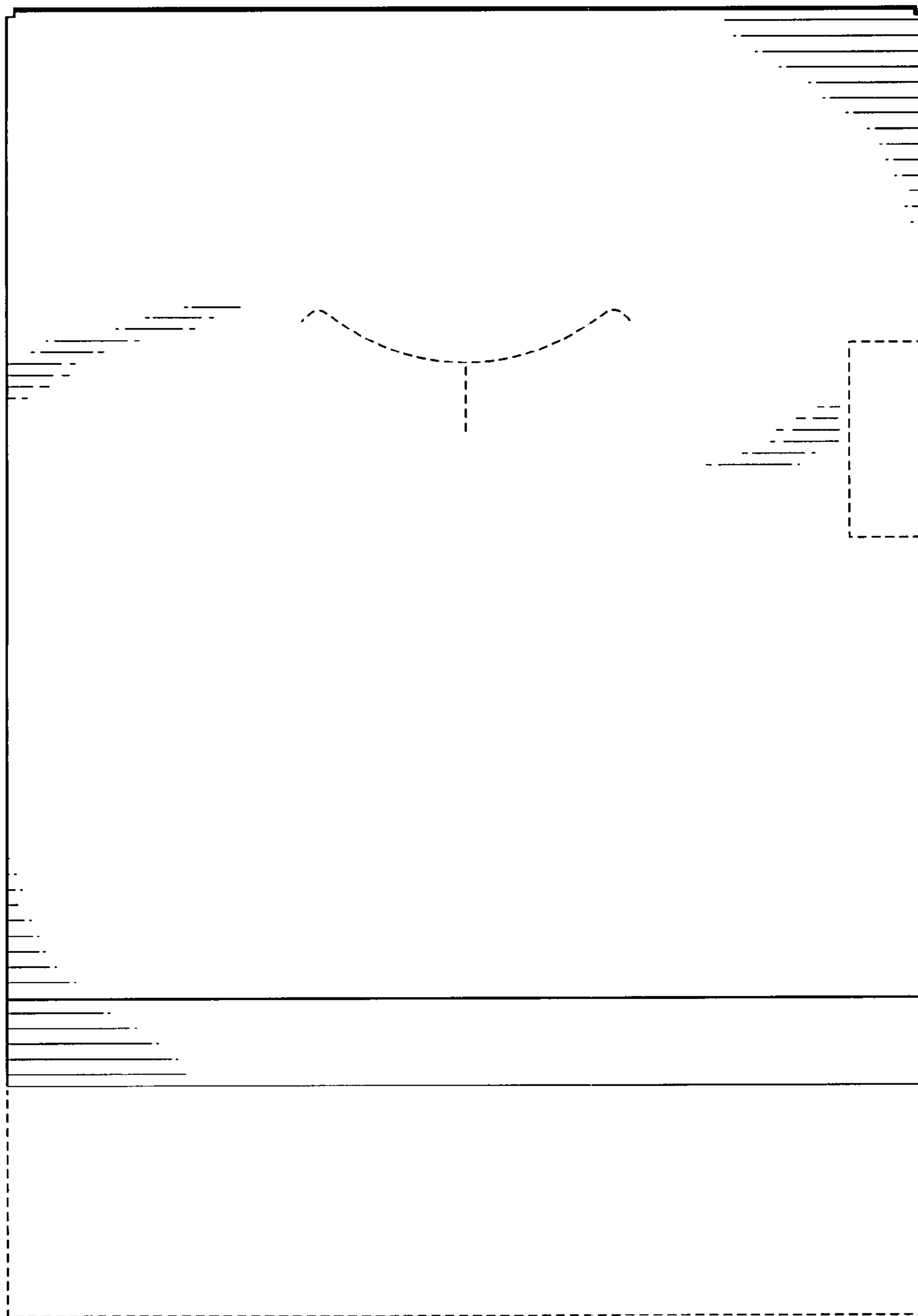


FIG. 8

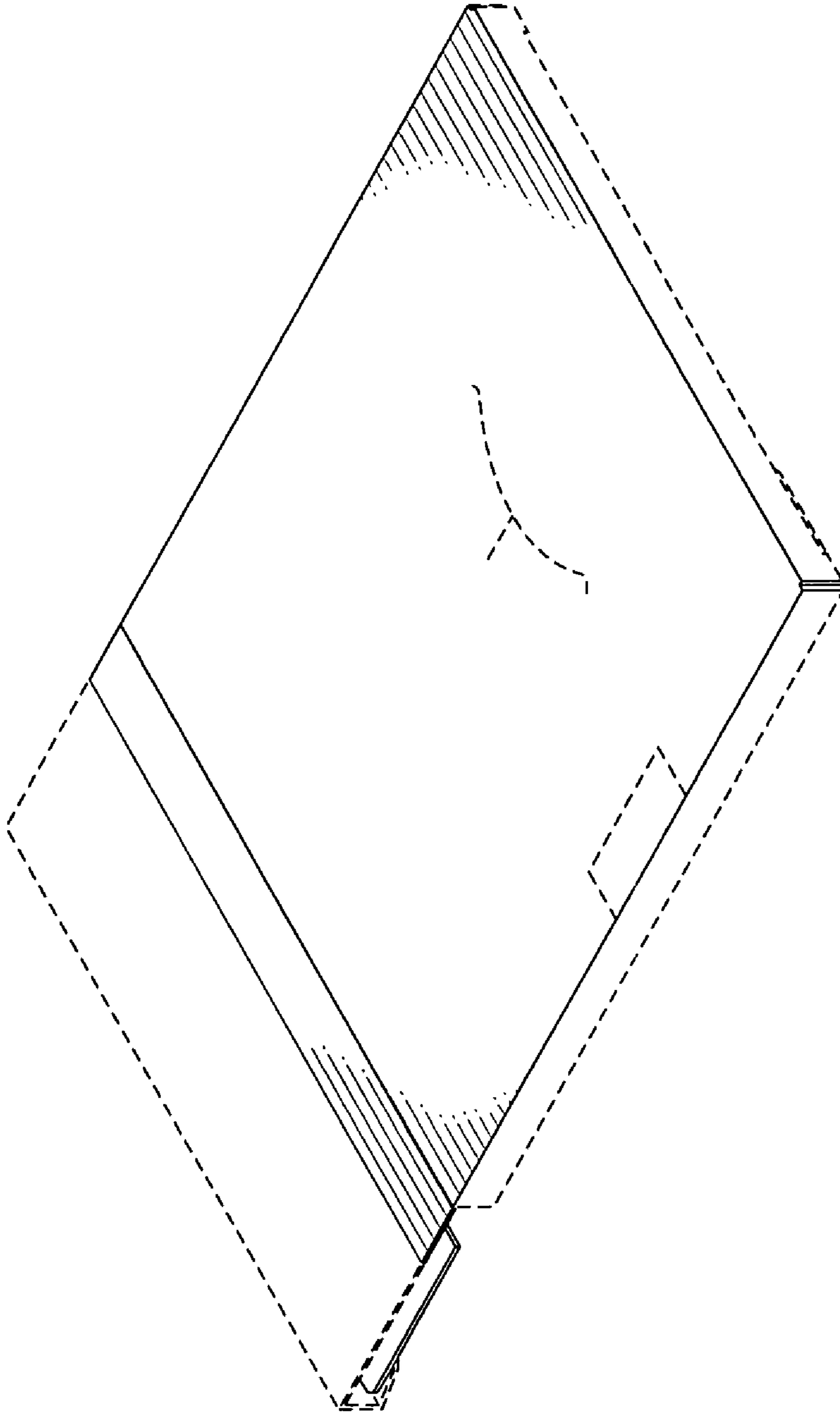


FIG. 9



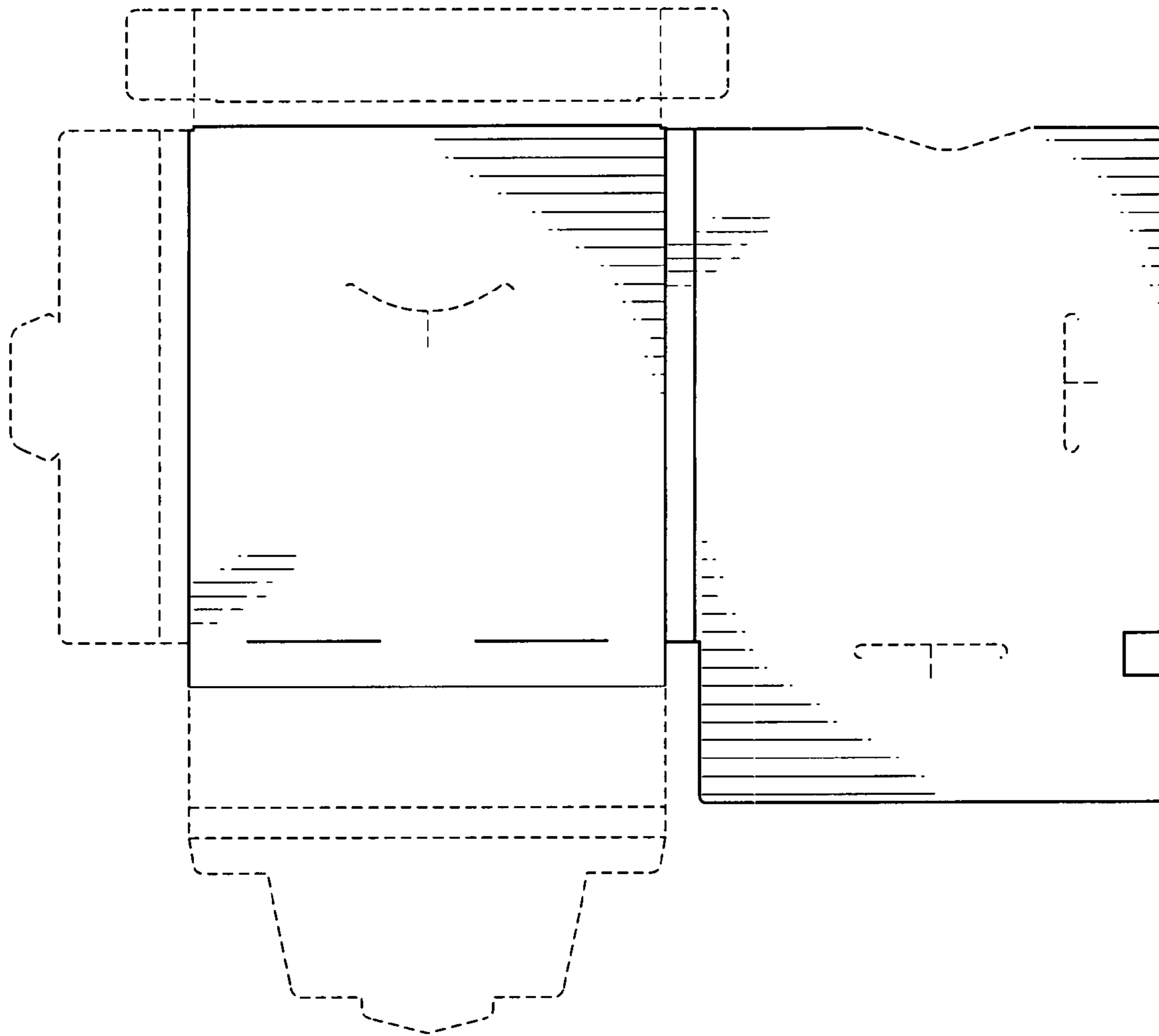
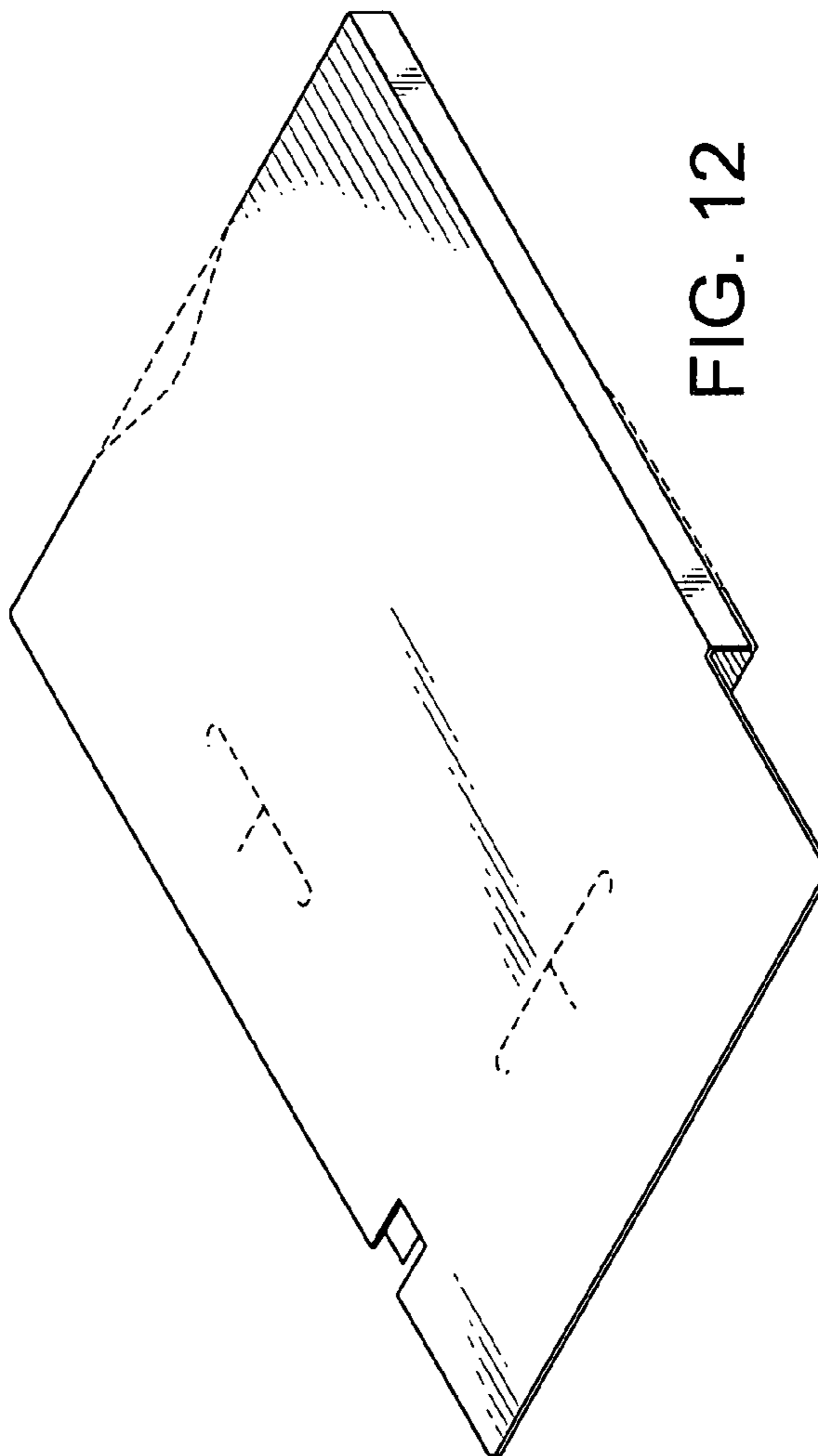
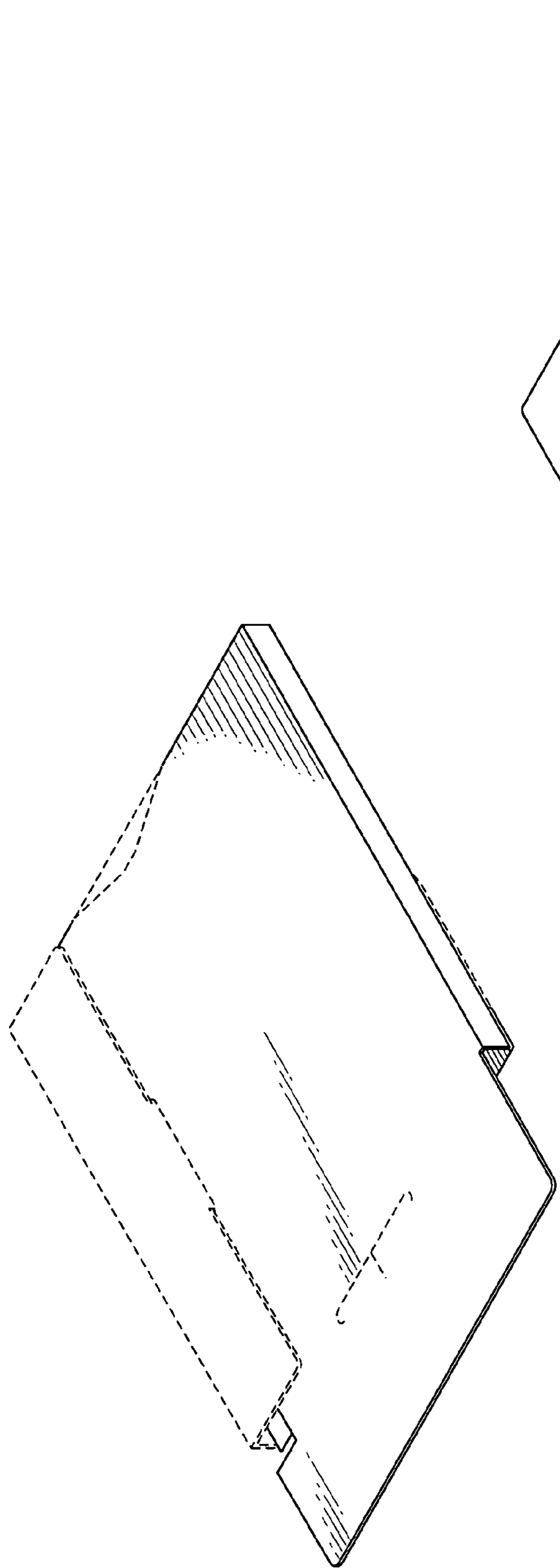


FIG. 10



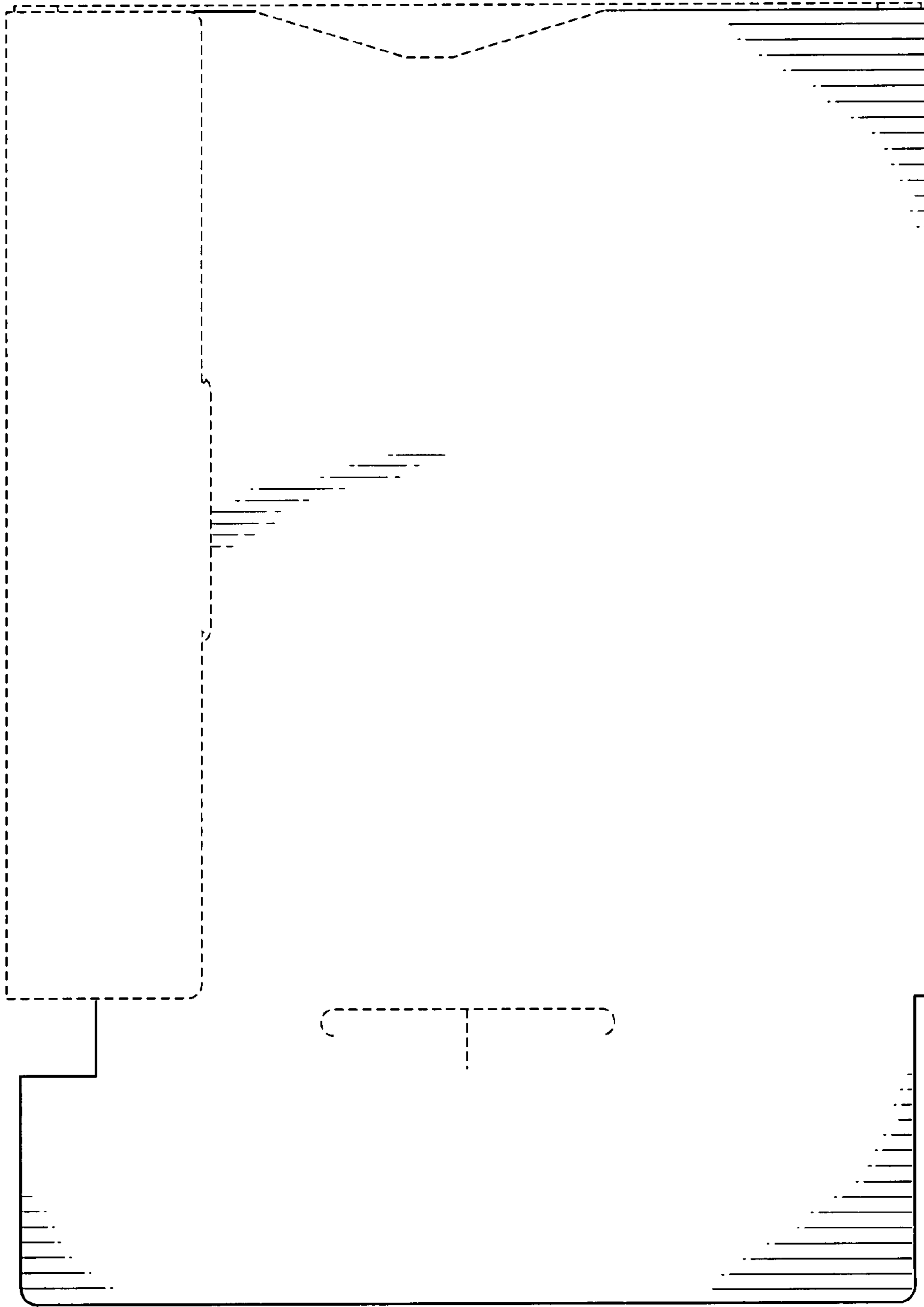


FIG. 13

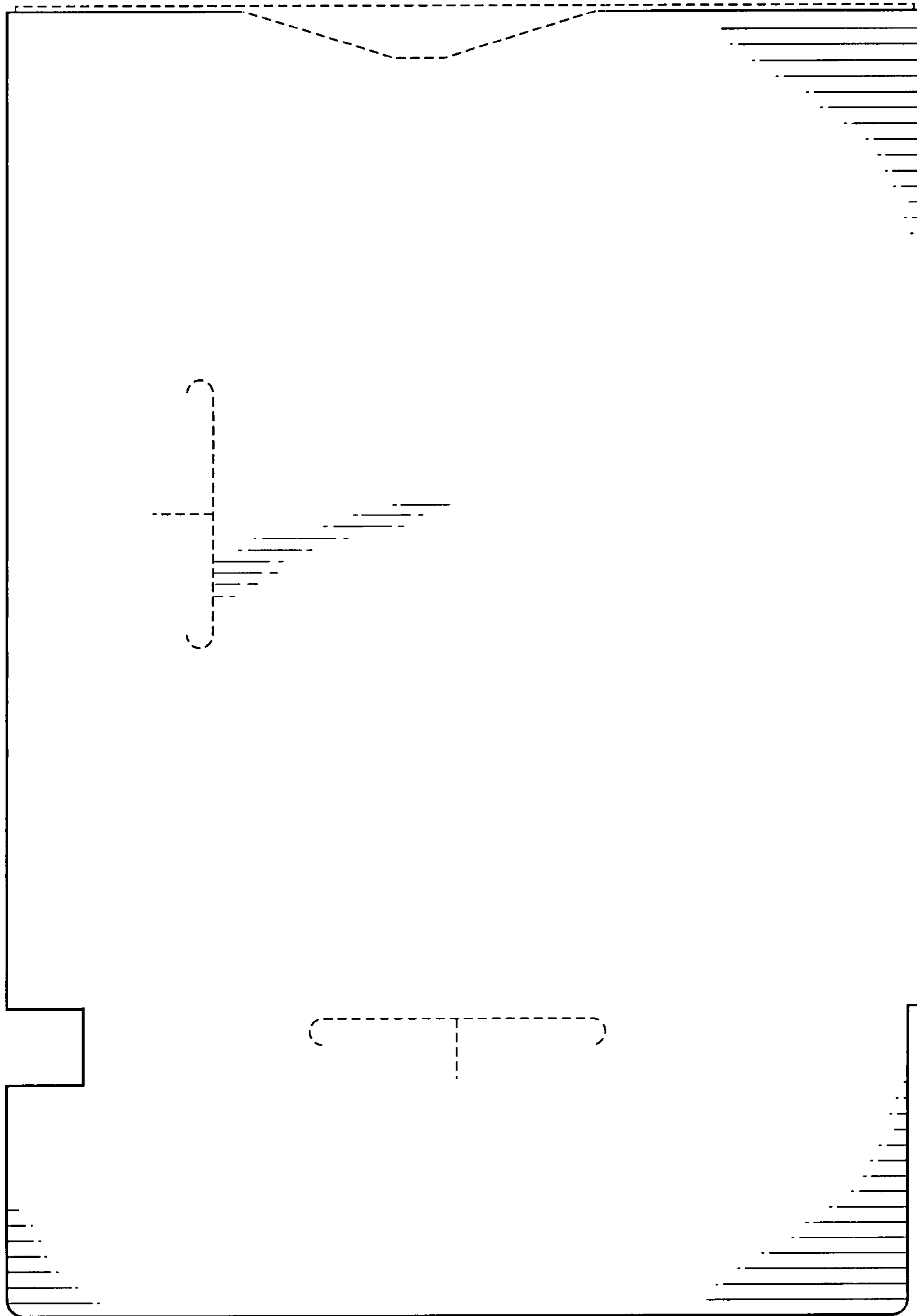


FIG. 14

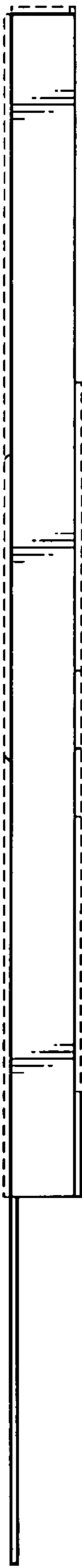


FIG. 15



FIG. 16

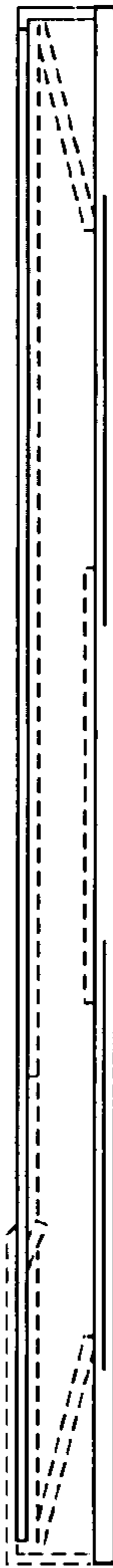


FIG. 17

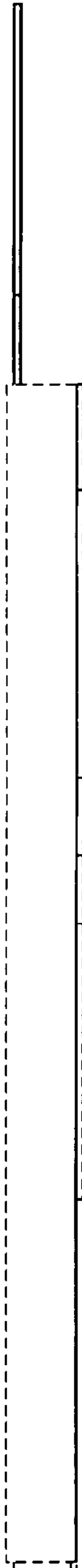


FIG. 18

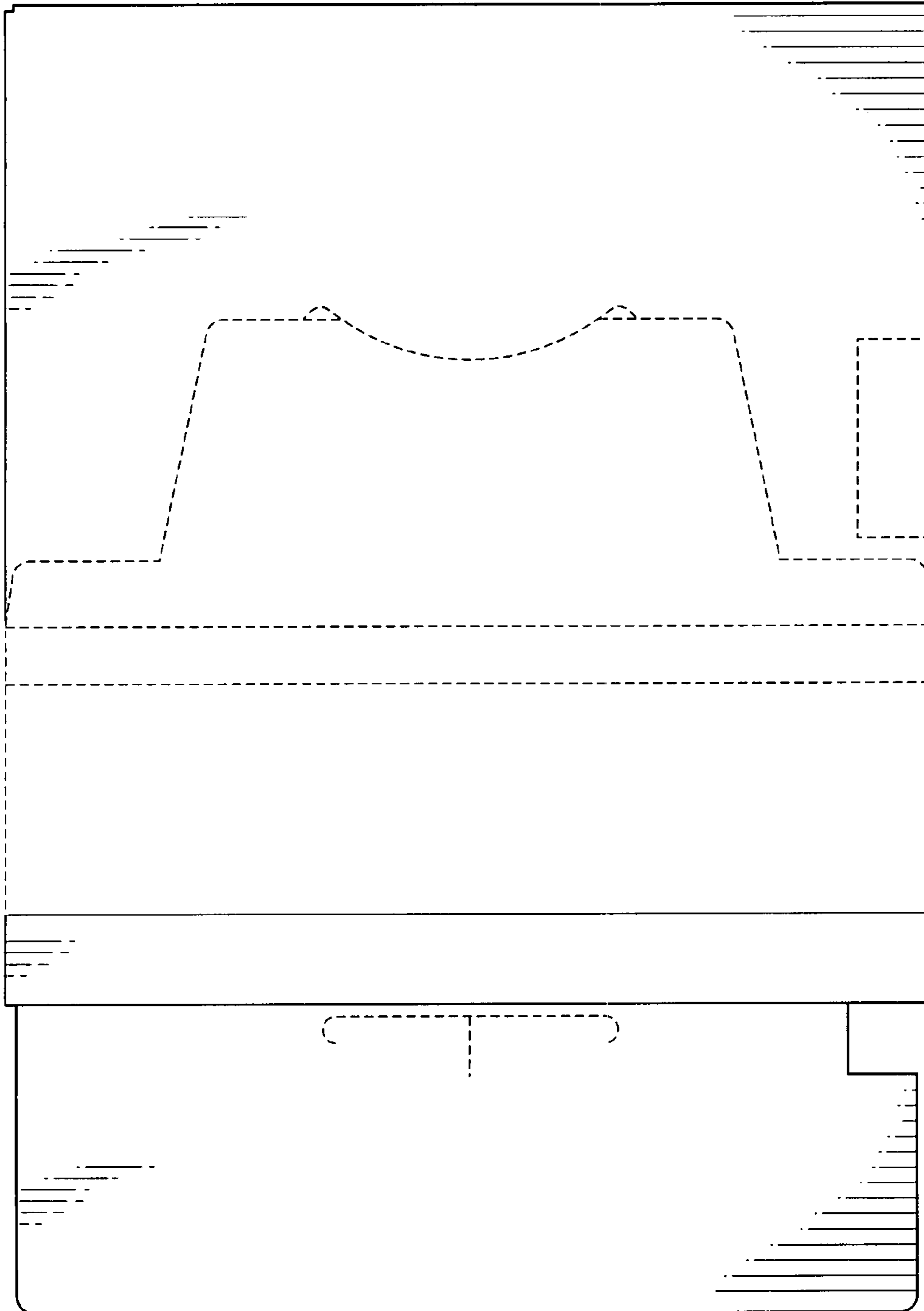


FIG. 19

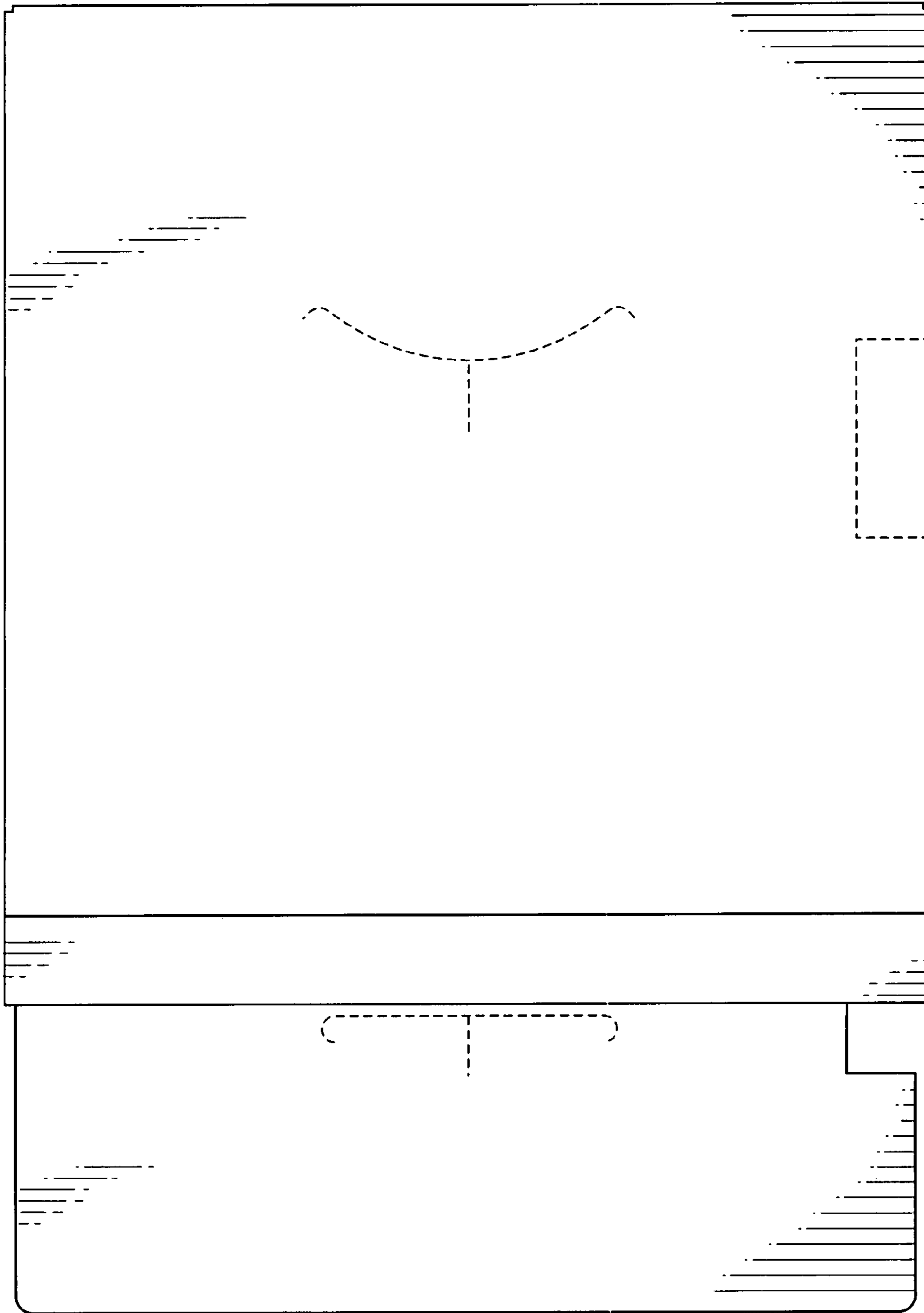


FIG. 20

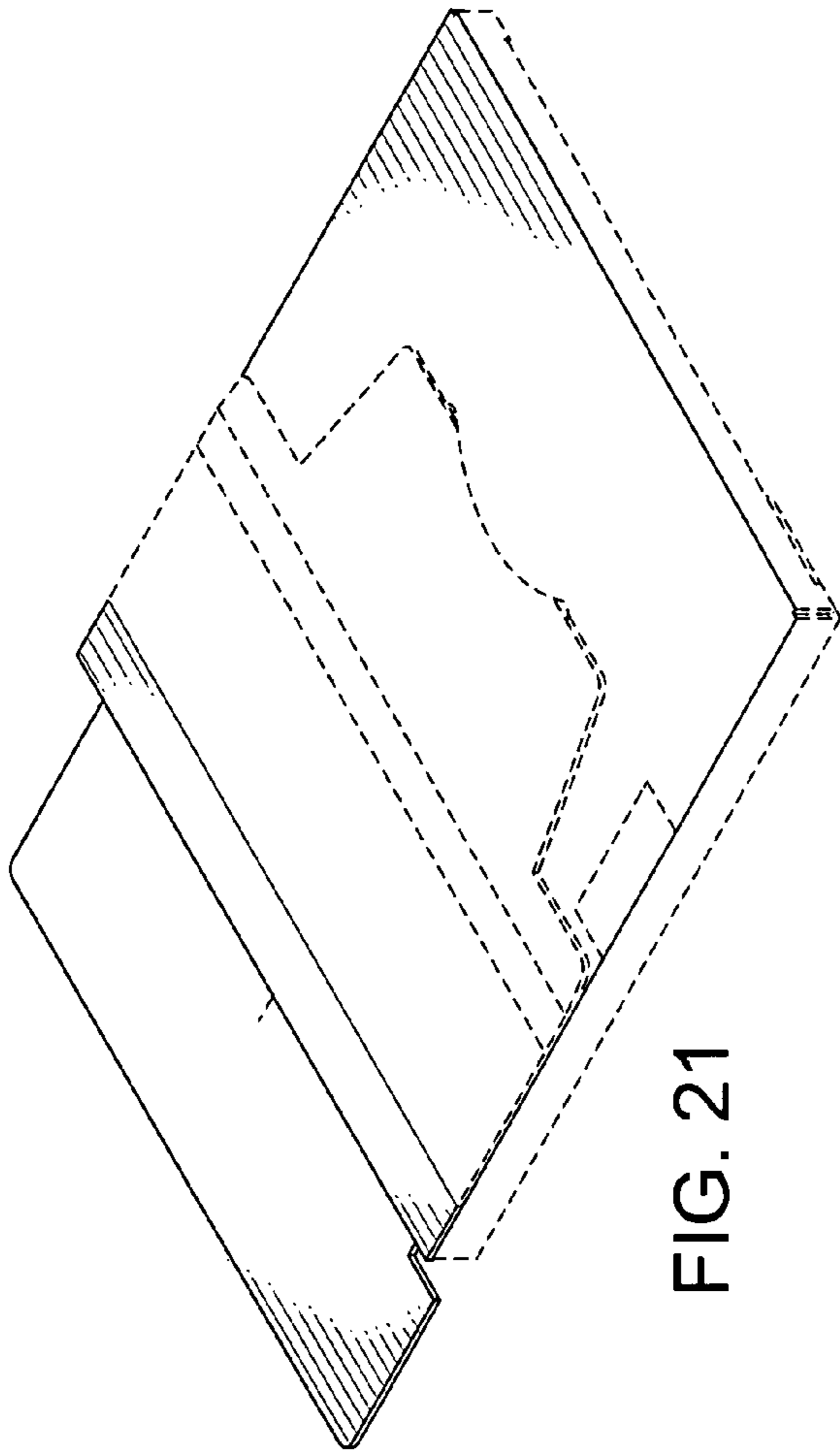


FIG. 21

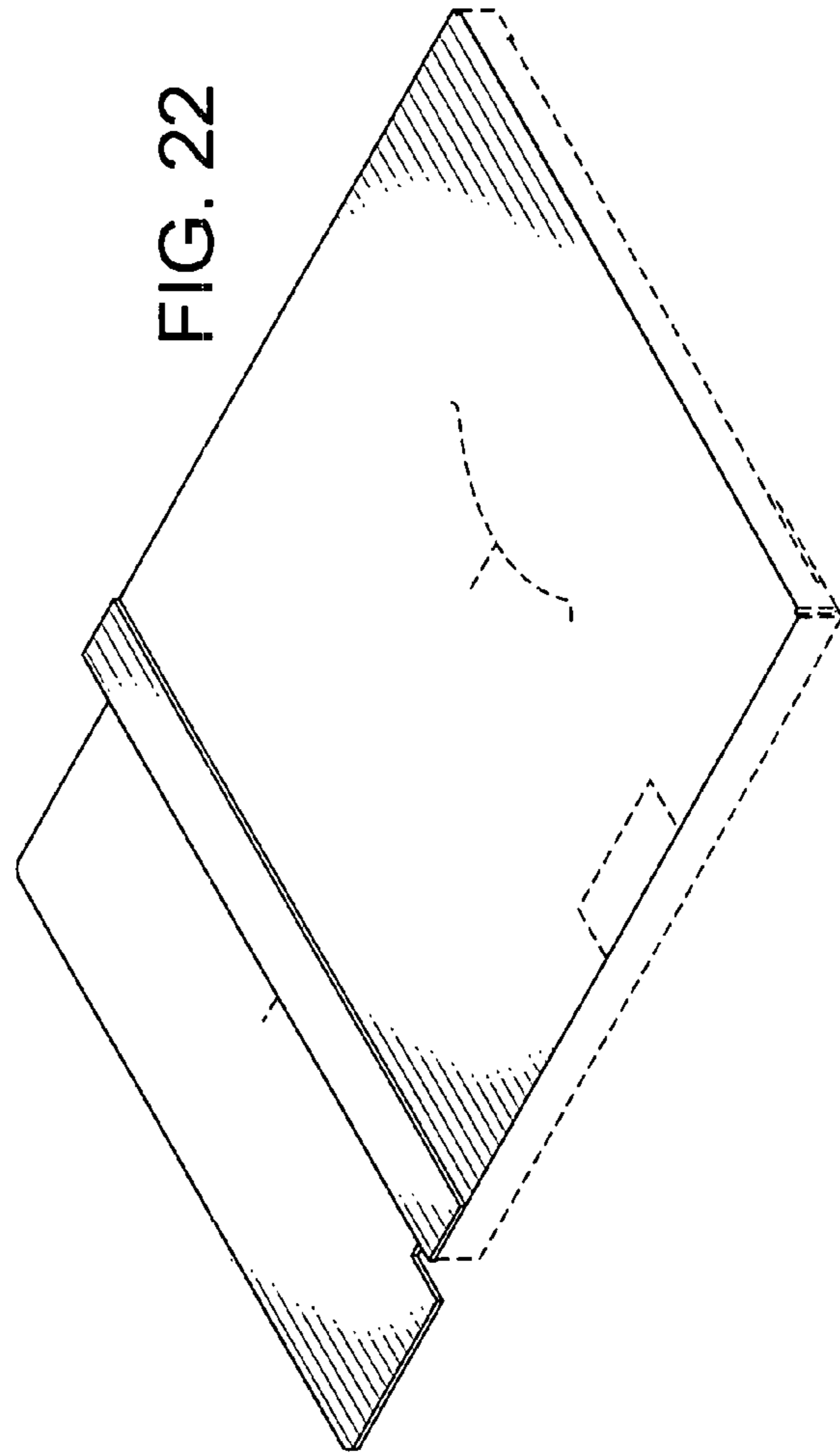


FIG. 22



UNITED STATES PATENT AND TRADEMARK OFFICE  
**CERTIFICATE OF CORRECTION**

PATENT NO. : Des. 573,634 S  
APPLICATION NO. : 29/274953  
DATED : July 22, 2008  
INVENTOR(S) : Takashi Horiuchi, Yasunori Nakamura and Yoshikatsu Suito

Page 1 of 1

It is certified that error appears in the above-identified patent and that said Letters Patent is hereby corrected as shown below:

On The Title Page, should read  
Item --(30) Foreign Application Priority Data  
January 26, 2007, JP 2007-001540--

Signed and Sealed this

Twenty-sixth Day of May, 2009



JOHN DOLL  
*Acting Director of the United States Patent and Trademark Office*