

US00D573633S

(12) **United States Design Patent**  
**Laidlaw et al.**

(10) **Patent No.:** **US D573,633 S**  
(45) **Date of Patent:** **\*\* Jul. 22, 2008**

(54) **PRINTER**

(75) Inventors: **Anthony G. Laidlaw**, Boise, ID (US);  
**John L. Guenther**, Aptos, CA (US);  
**Angelo La Barbera**, Eagle, ID (US);  
**Dennis Terenzio**, Boise, ID (US);  
**Jirawat Jeamvigite**, Los Angeles, CA  
(US); **Stefan Muller**, Magdeburg (DE);  
**Albert B. Kim**, Los Angeles, CA (US);  
**Andre De Salis**, Pasadena, CA (US)

(73) Assignee: **Hewlett-Packard Development  
Company, L.P.**, Houston, TX (US)

(\*\*) Term: **14 Years**

(21) Appl. No.: **29/272,033**

(22) Filed: **Jan. 31, 2007**

(51) **LOC (8) Cl.** ..... **14-02**

(52) **U.S. Cl.** ..... **D18/55**

(58) **Field of Classification Search** ..... D18/4.4,  
D18/36-39, 41, 50, 53, 54-55; D14/420,  
D14/462-470; 400/613, 613.1-613.4, 690.1-690.4,  
400/691-694

See application file for complete search history.

(56) **References Cited**

**U.S. PATENT DOCUMENTS**

D404,066 S \* 1/1999 Sakata ..... D18/54  
D446,806 S \* 8/2001 Imai ..... D18/36  
D483,401 S \* 12/2003 LaBarbera ..... D18/53  
6,766,126 B2 \* 7/2004 Hsu et al. .... 399/81

D515,131 S \* 2/2006 Hwang et al. .... D18/55  
D528,155 S \* 9/2006 Katayama ..... D18/55  
D530,737 S \* 10/2006 Lim et al. .... D18/50  
D532,043 S \* 11/2006 Park et al. .... D18/50  
D532,450 S \* 11/2006 Smith et al. .... D18/55  
D533,218 S \* 12/2006 Gant et al. .... D18/55  
D550,279 S \* 9/2007 Tani ..... D18/50  
D555,194 S \* 11/2007 Smith et al. .... D18/55  
D561,250 S \* 2/2008 Smith et al. .... D18/55  
D561,824 S \* 2/2008 Park et al. .... D18/55

\* cited by examiner

*Primary Examiner*—Cathy Anne MacCormac

(57) **CLAIM**

The ornamental design for a printer, as shown and described.

**DESCRIPTION**

FIG. 1 is a front perspective view of a printer;

FIG. 2 is a rear perspective view thereof;

FIG. 3 is a front elevational view thereof;

FIG. 4 is a rear elevational view thereof;

FIG. 5 is a right elevational view thereof;

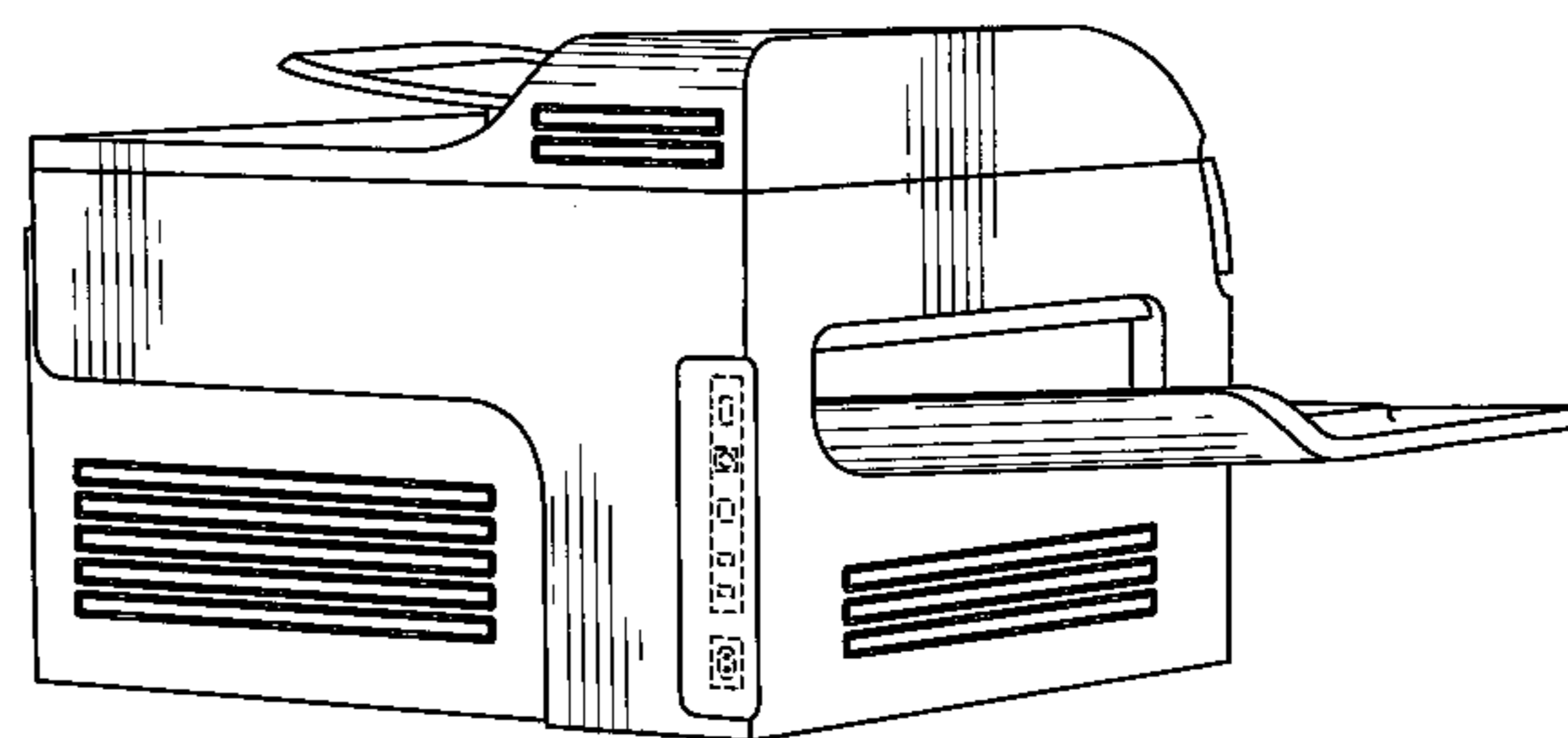
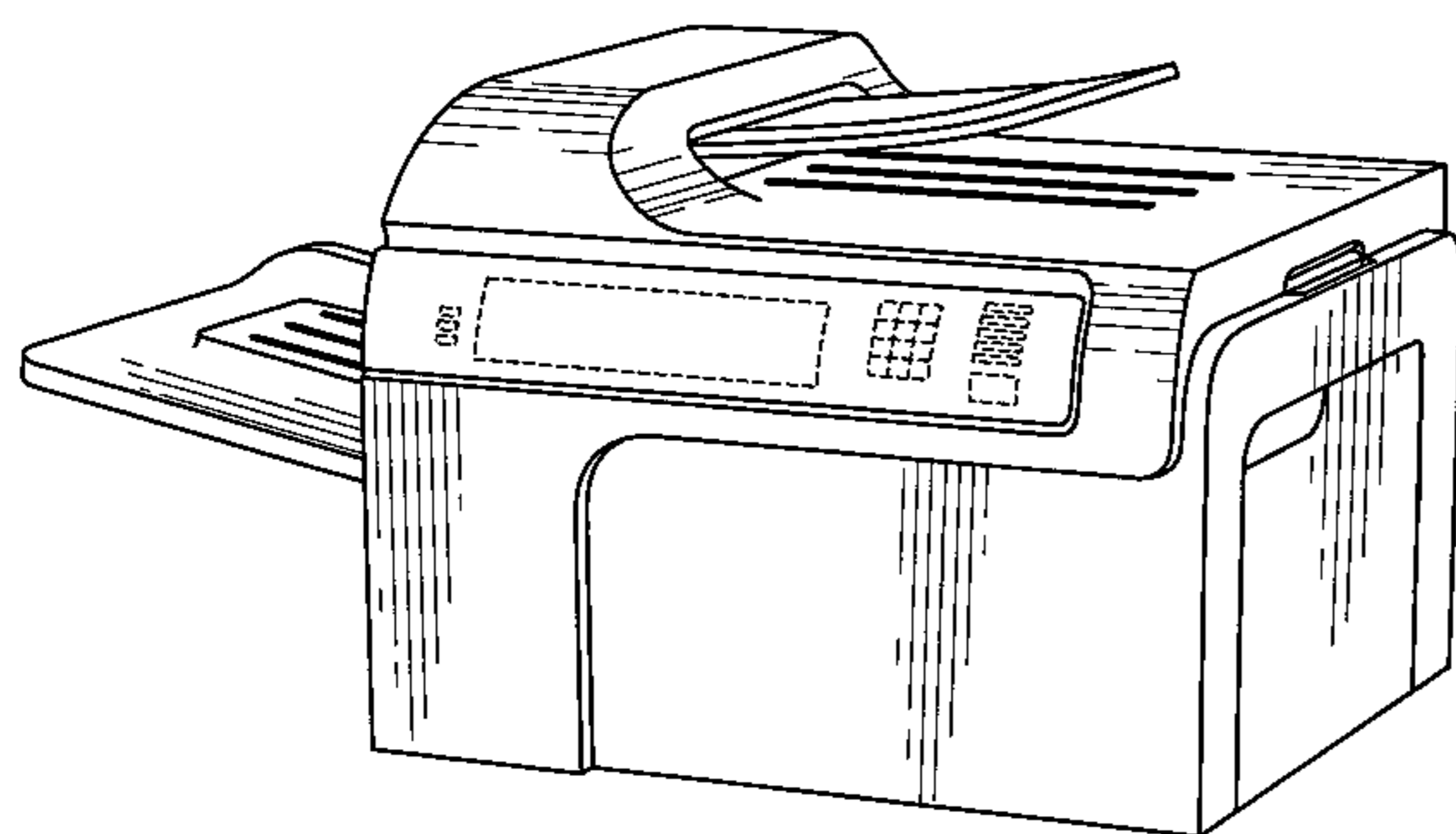
FIG. 6 is a left elevational view thereof; and,

FIG. 7 is a top plan view thereof.

The broken lines in the drawings are for illustrative purposes and form no part of the claimed design.

The bottom of the printer, not shown, forms no part of the claimed design.

**1 Claim, 4 Drawing Sheets**



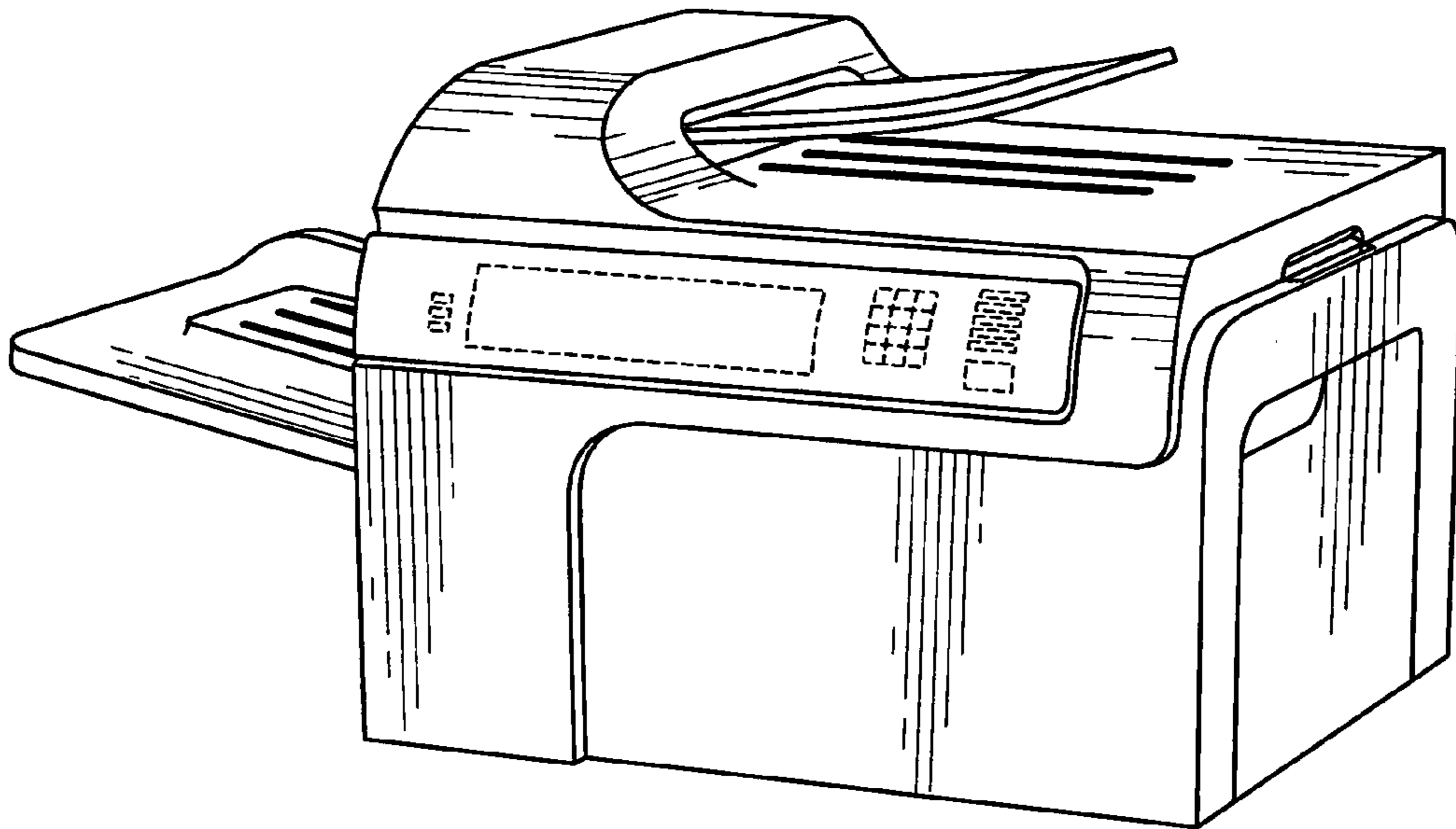


FIG. 1

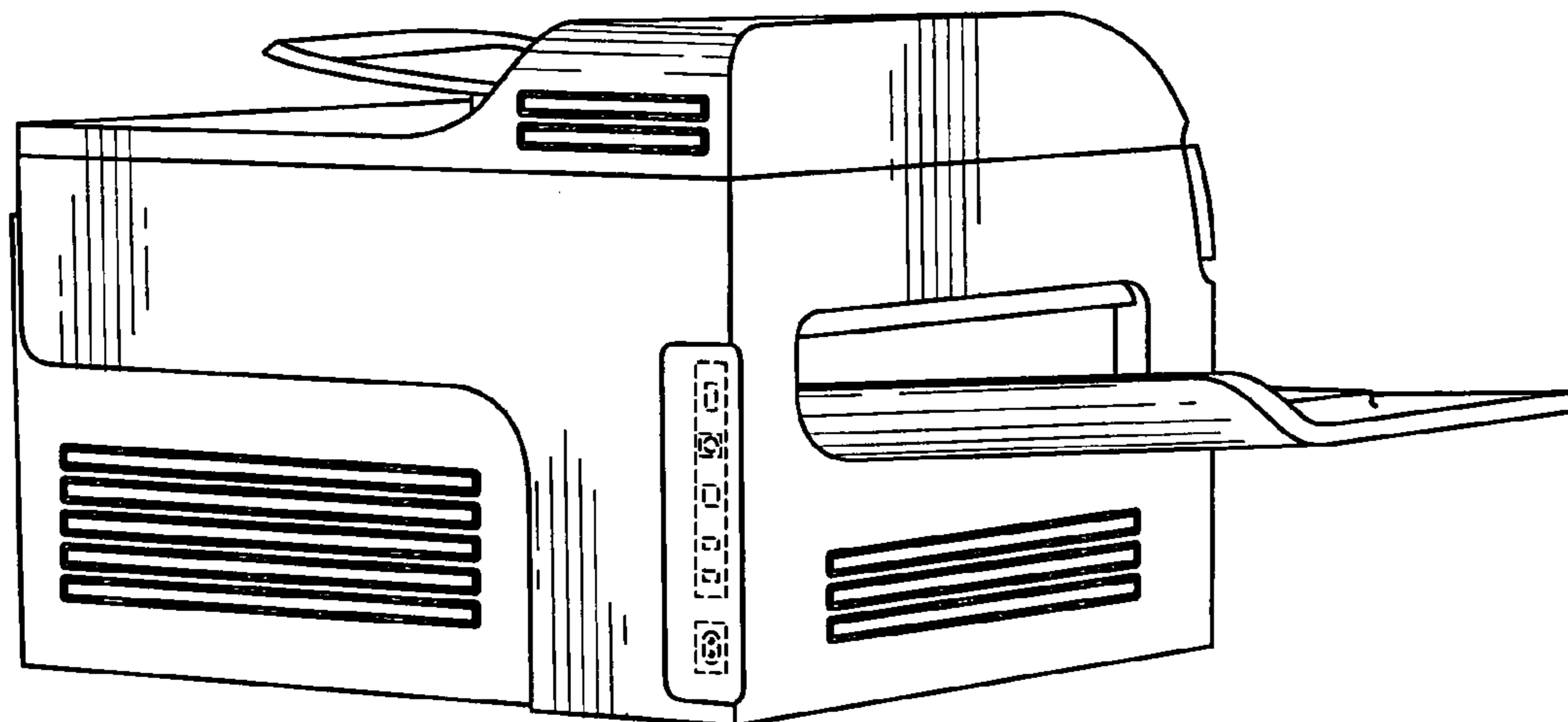
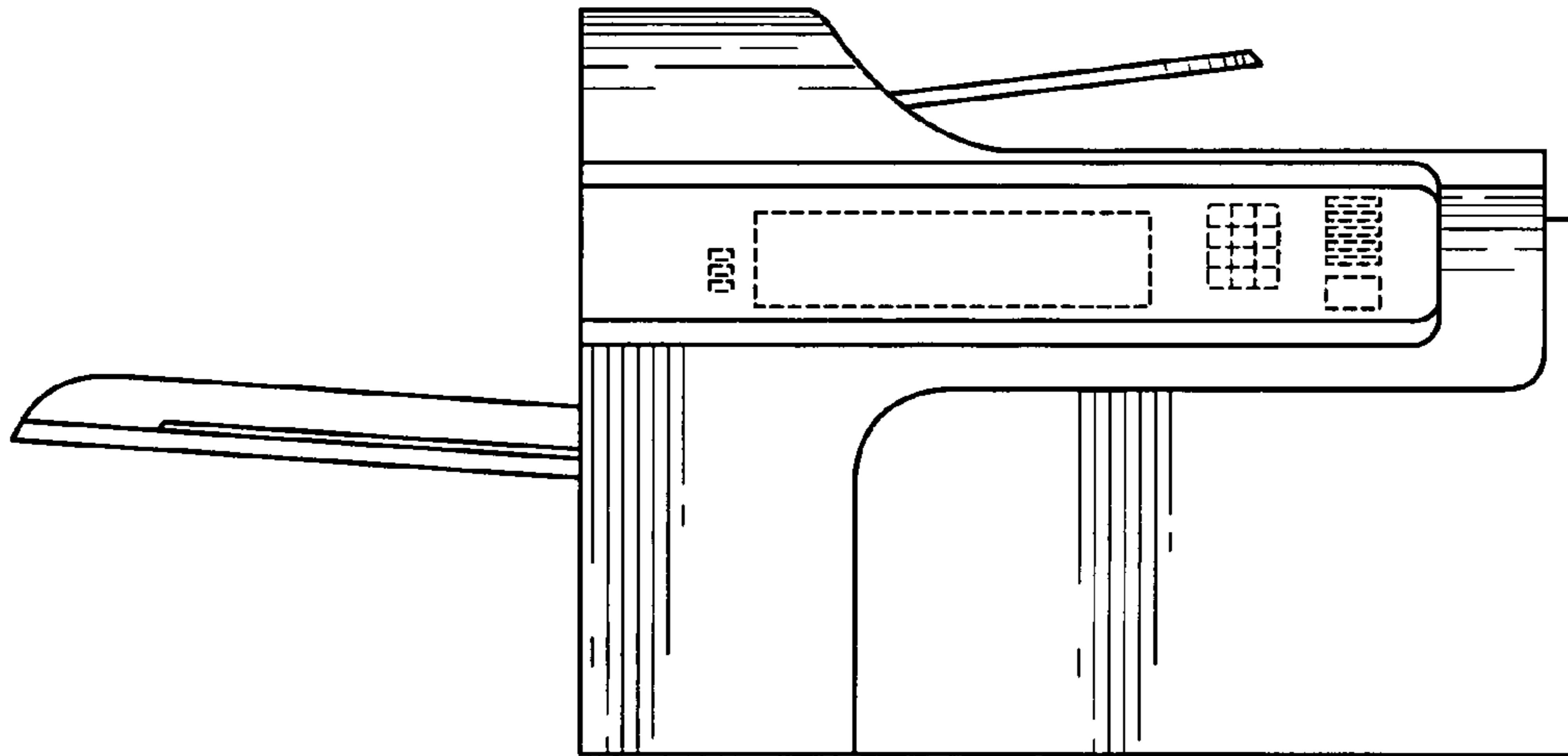
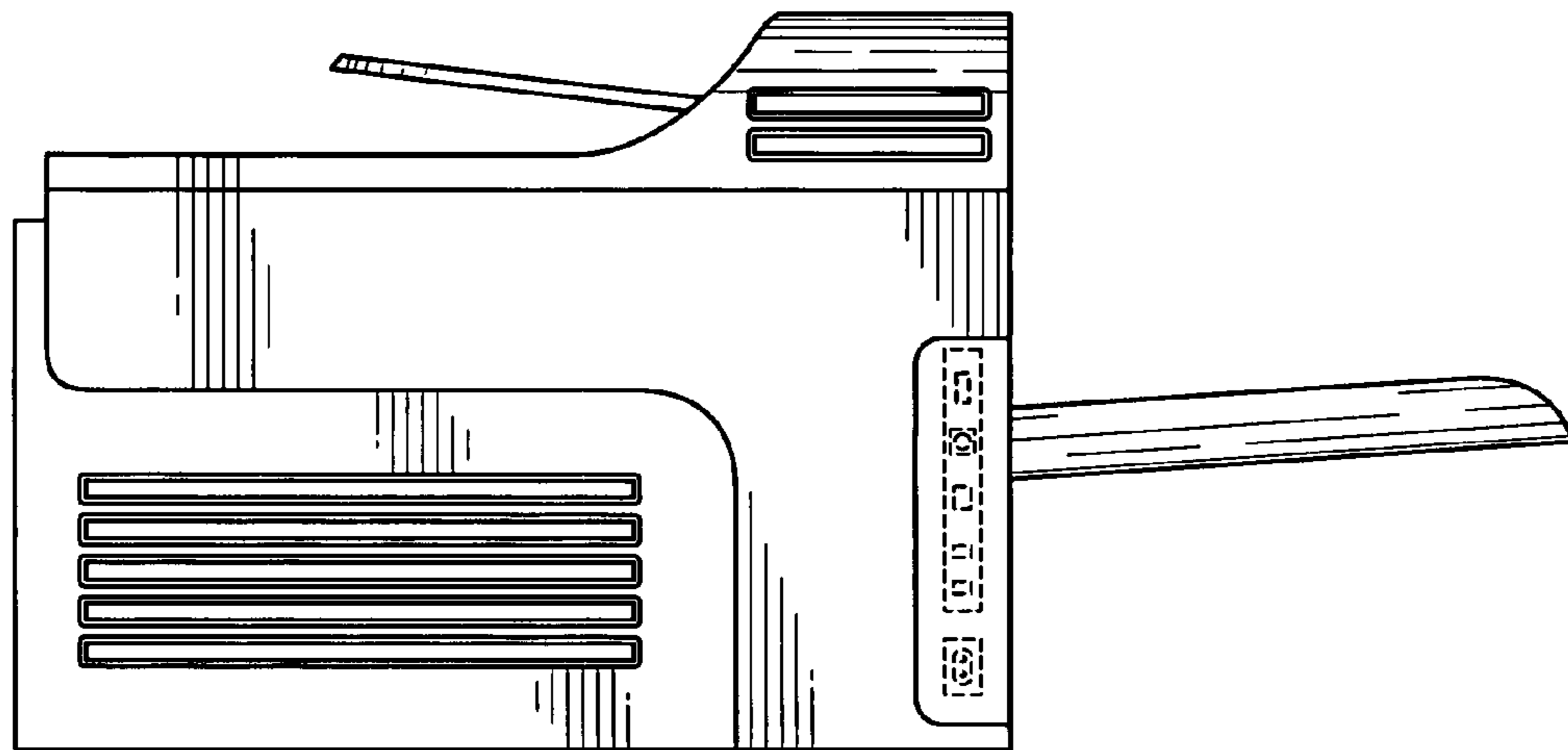


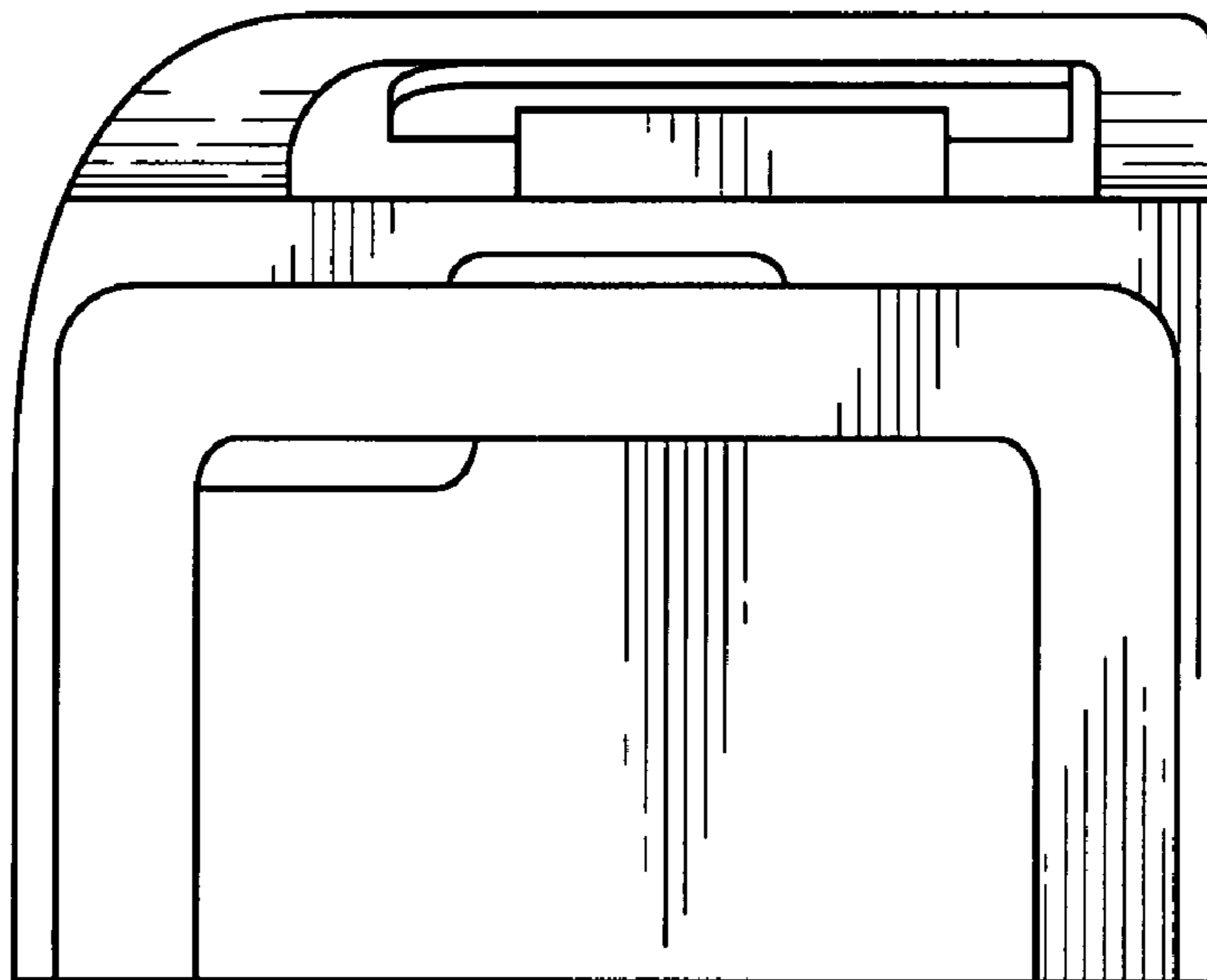
FIG. 2



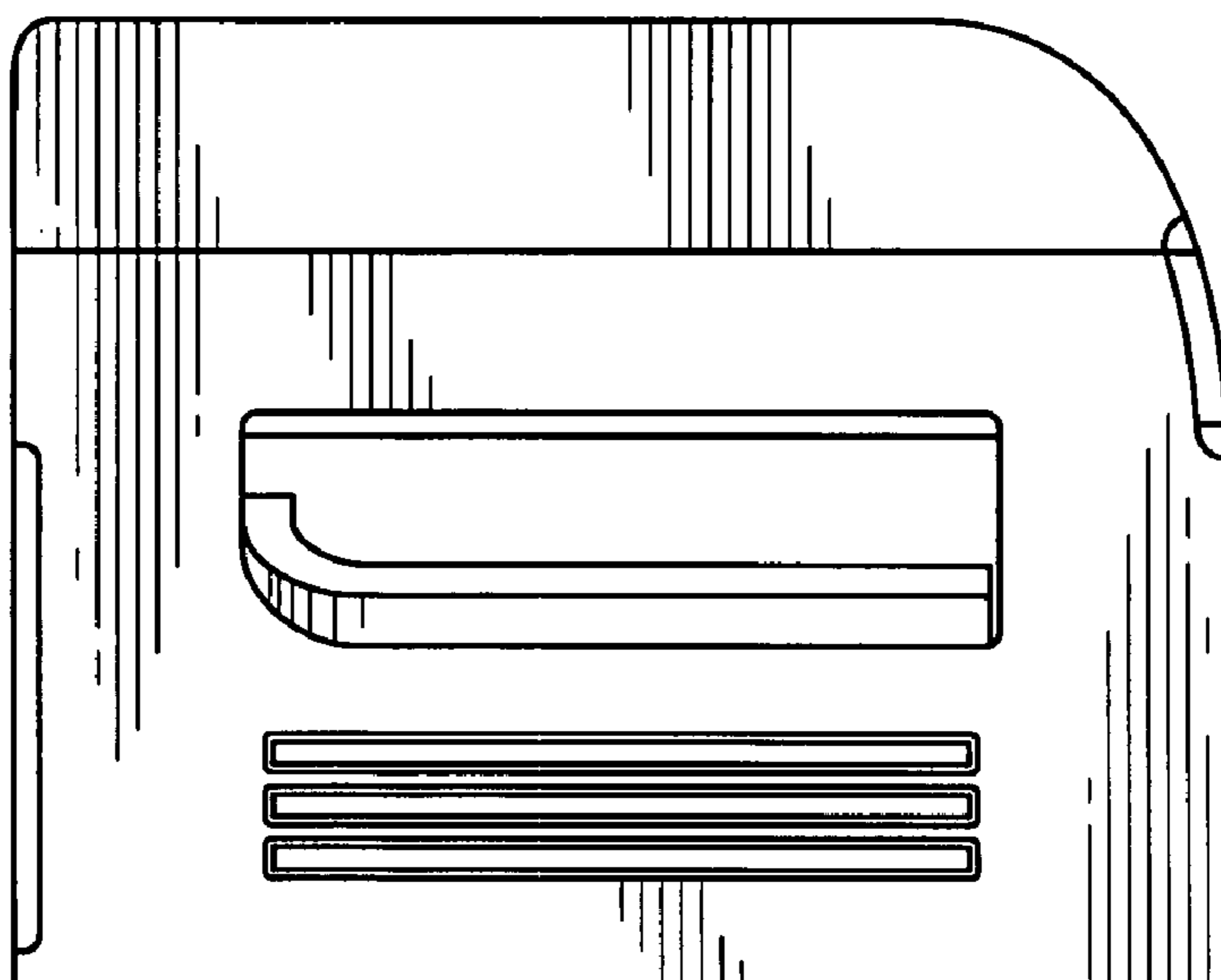
**FIG. 3**



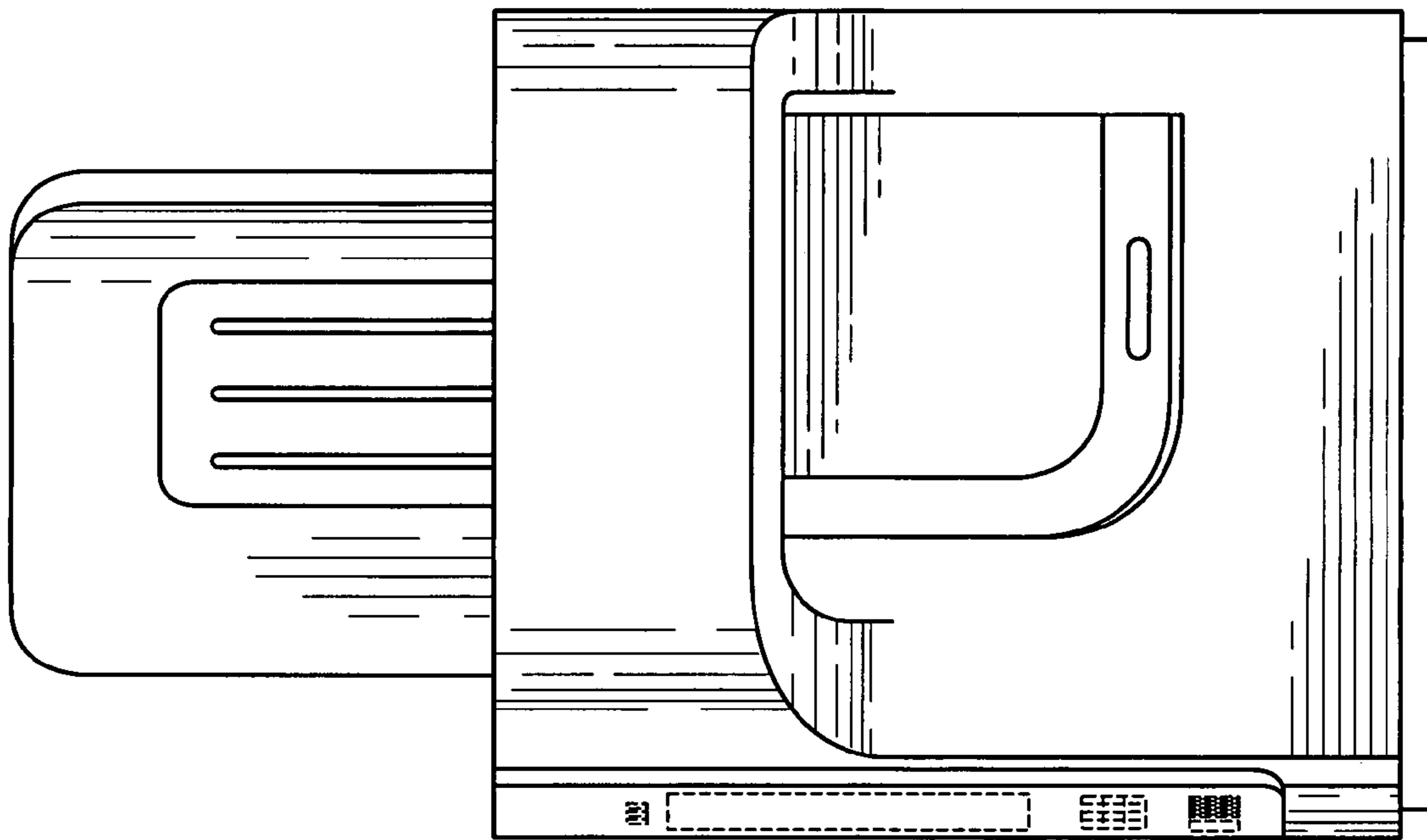
**FIG. 4**



**FIG. 5**



**FIG. 6**



**FIG. 7**