

US00D573632S

(12) **United States Design Patent**  
**Iwai**

(10) **Patent No.:** **US D573,632 S**  
(45) **Date of Patent:** **\*\* Jul. 22, 2008**

(54) **PRINTER**

(75) Inventor: **Nobuyuki Iwai**, Chita-gun (JP)

(73) Assignee: **Brother Industries, Ltd.**, Nagoya (JP)

(\*\*) Term: **14 Years**

(21) Appl. No.: **29/273,753**

(22) Filed: **Mar. 13, 2007**

(30) **Foreign Application Priority Data**

Sep. 15, 2006 (JP) ..... 2006-024899

(51) **LOC (8) Cl.** ..... **18-02**

(52) **U.S. Cl.** ..... **D18/50**

(58) **Field of Classification Search** ..... D18/4.4,  
D18/36-39, 41, 50, 54-55; D14/420, 462-470;  
400/613, 613.1-613.4, 690.1-690.4, 691-694  
See application file for complete search history.

(56) **References Cited**

**U.S. PATENT DOCUMENTS**

D483,061 S \* 12/2003 Wong ..... D18/55  
D491,219 S \* 6/2004 Shimamura ..... D18/50  
6,786,665 B2 \* 9/2004 Hwang et al. .... 400/693  
D501,503 S \* 2/2005 Leong et al. .... D18/55

D525,294 S \* 7/2006 Katayama et al. .... D18/54  
D530,738 S \* 10/2006 Tay et al. .... D18/55  
D533,218 S \* 12/2006 Gant et al. .... D18/55  
D545,893 S \* 7/2007 Ogawa et al. .... D18/50  
D556,255 S \* 11/2007 Matsumoto ..... D18/50  
D561,251 S \* 2/2008 Tjin Wong Joe et al. .... D18/55  
D566,755 S \* 4/2008 Gant et al. .... D18/50

\* cited by examiner

*Primary Examiner*—Cathy Anne MacCormac  
(74) *Attorney, Agent, or Firm*—Olliff & Berridge, PLC

(57) **CLAIM**

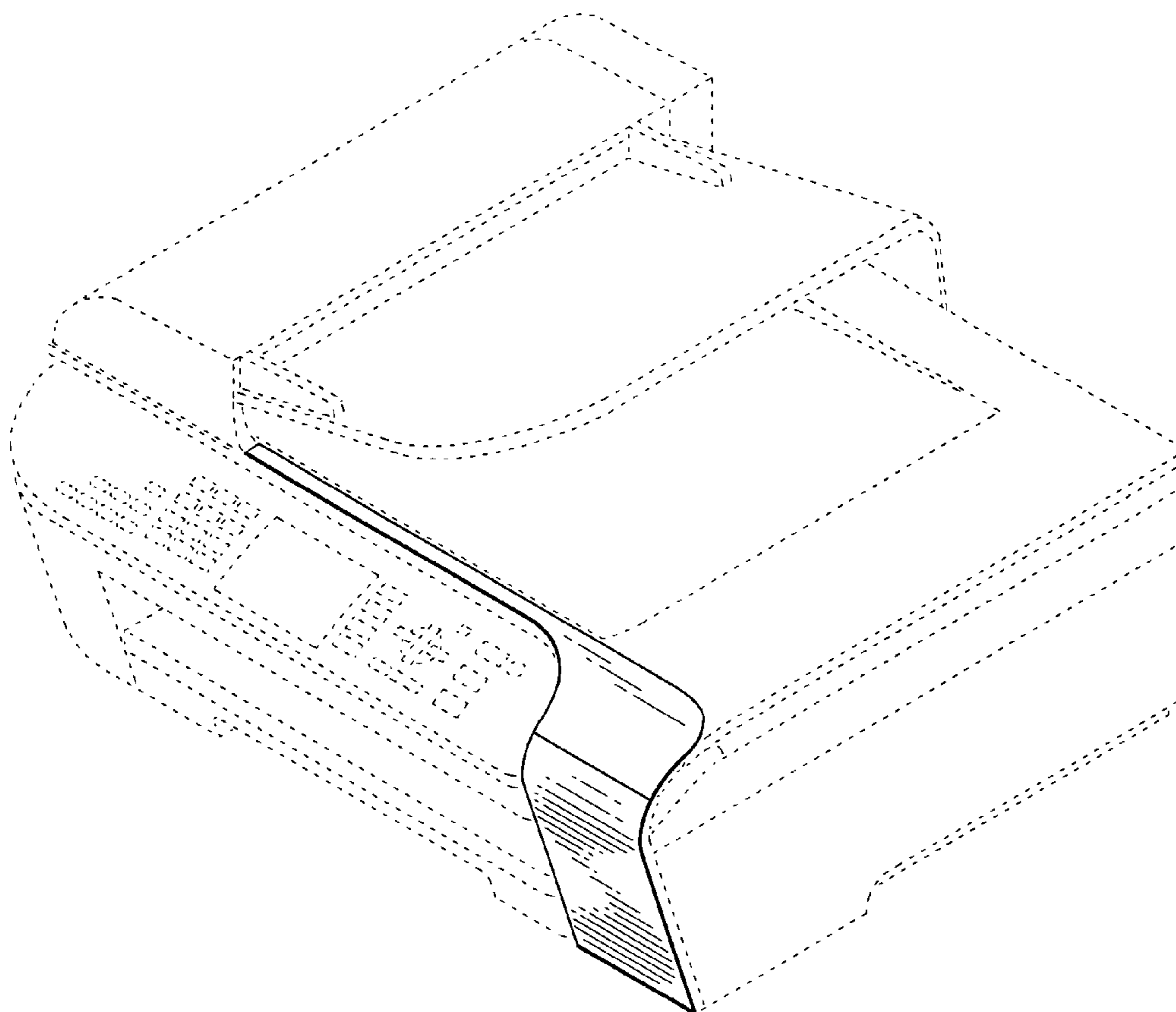
The ornamental design for a printer, as shown and described.

**DESCRIPTION**

FIG. 1 is a perspective view of a printer;  
FIG. 2 is a front view thereof;  
FIG. 3 is a top view thereof;  
FIG. 4 is a right-side view thereof;  
FIG. 5 is a left-side view thereof; and,  
FIG. 6 is a bottom view thereof.

The broken lines are for illustrative purposes only and form no part of the claimed design.

**1 Claim, 4 Drawing Sheets**



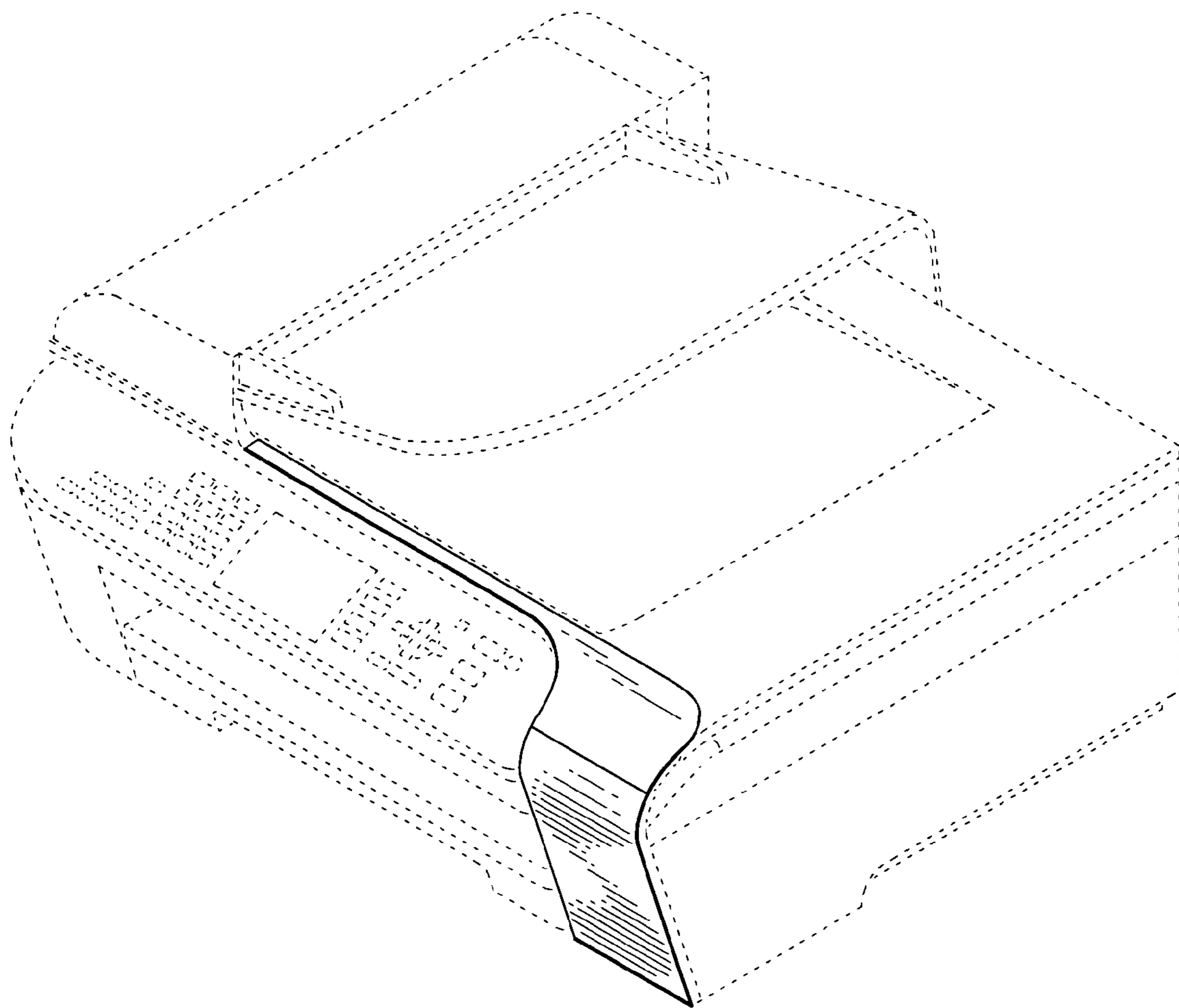


FIG. 1

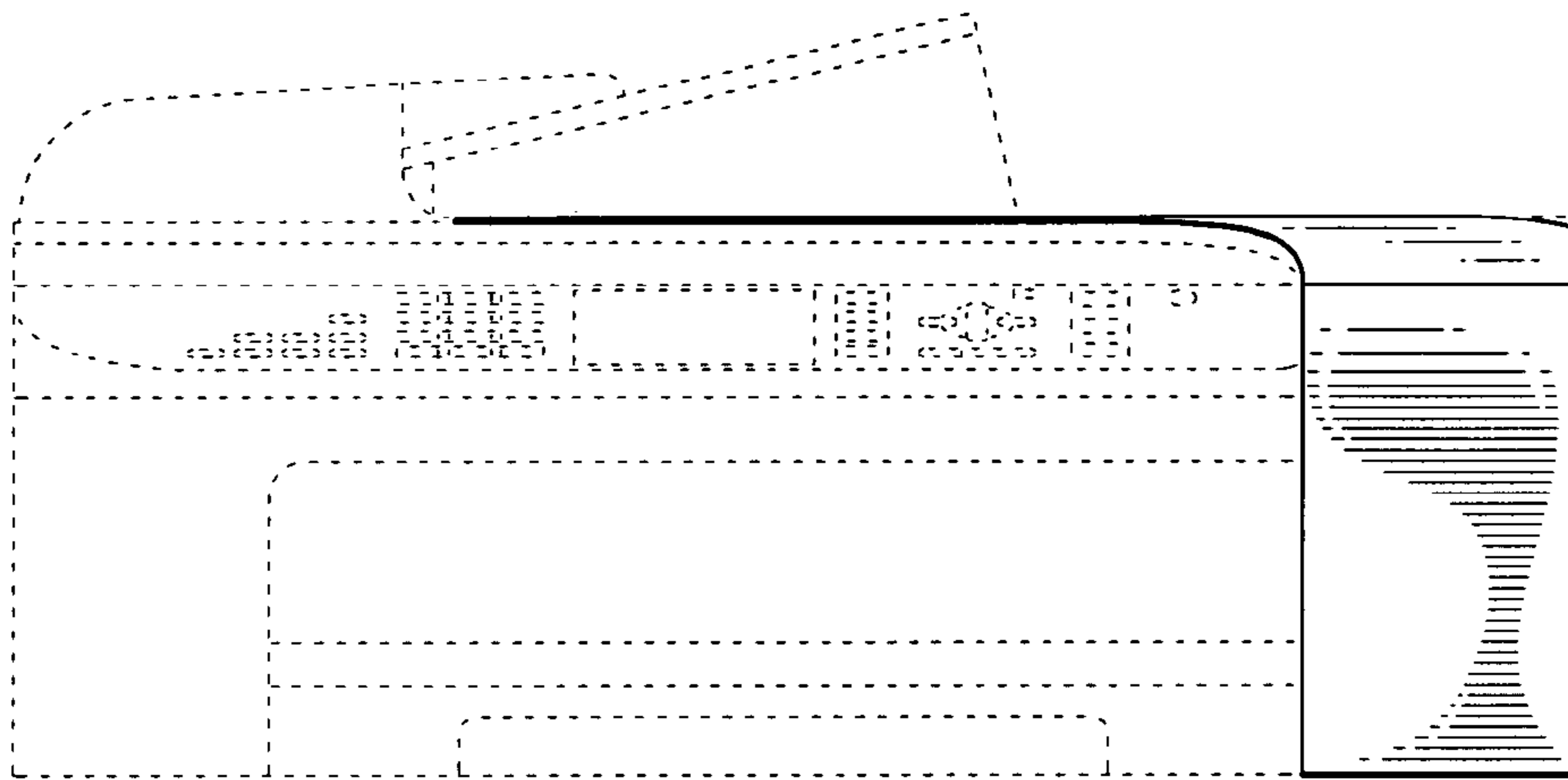


FIG. 2

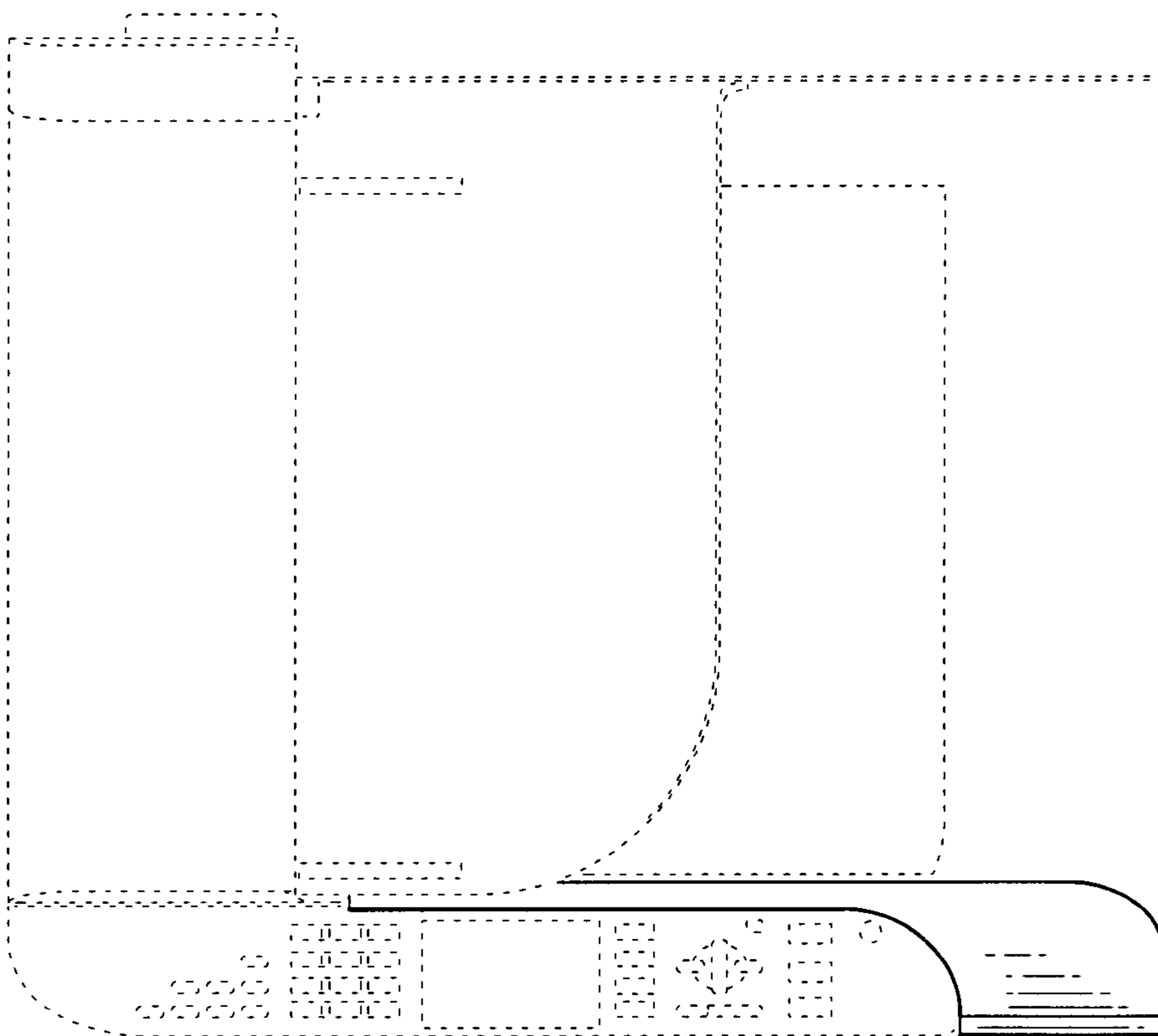


FIG. 3

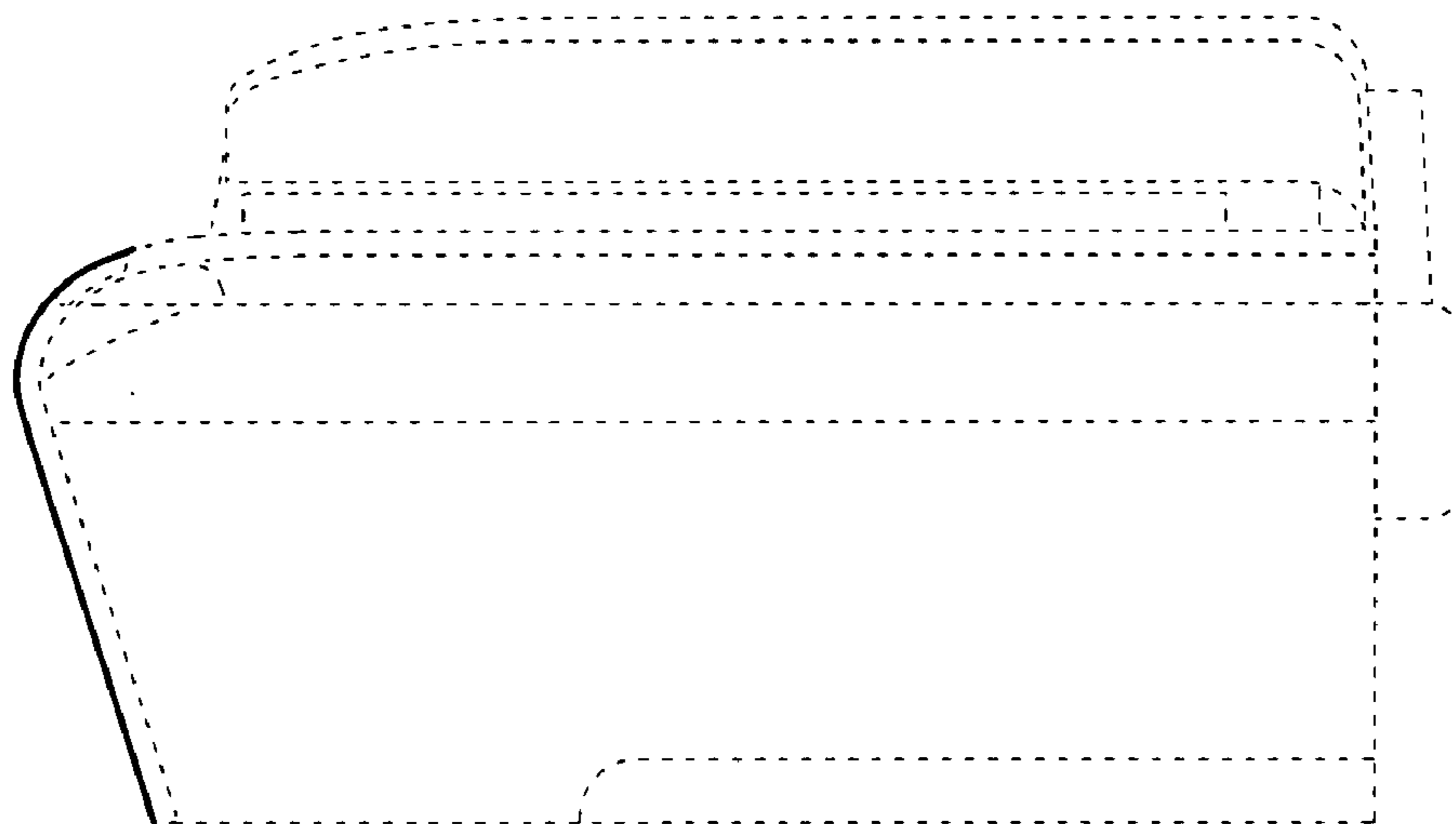


FIG. 4

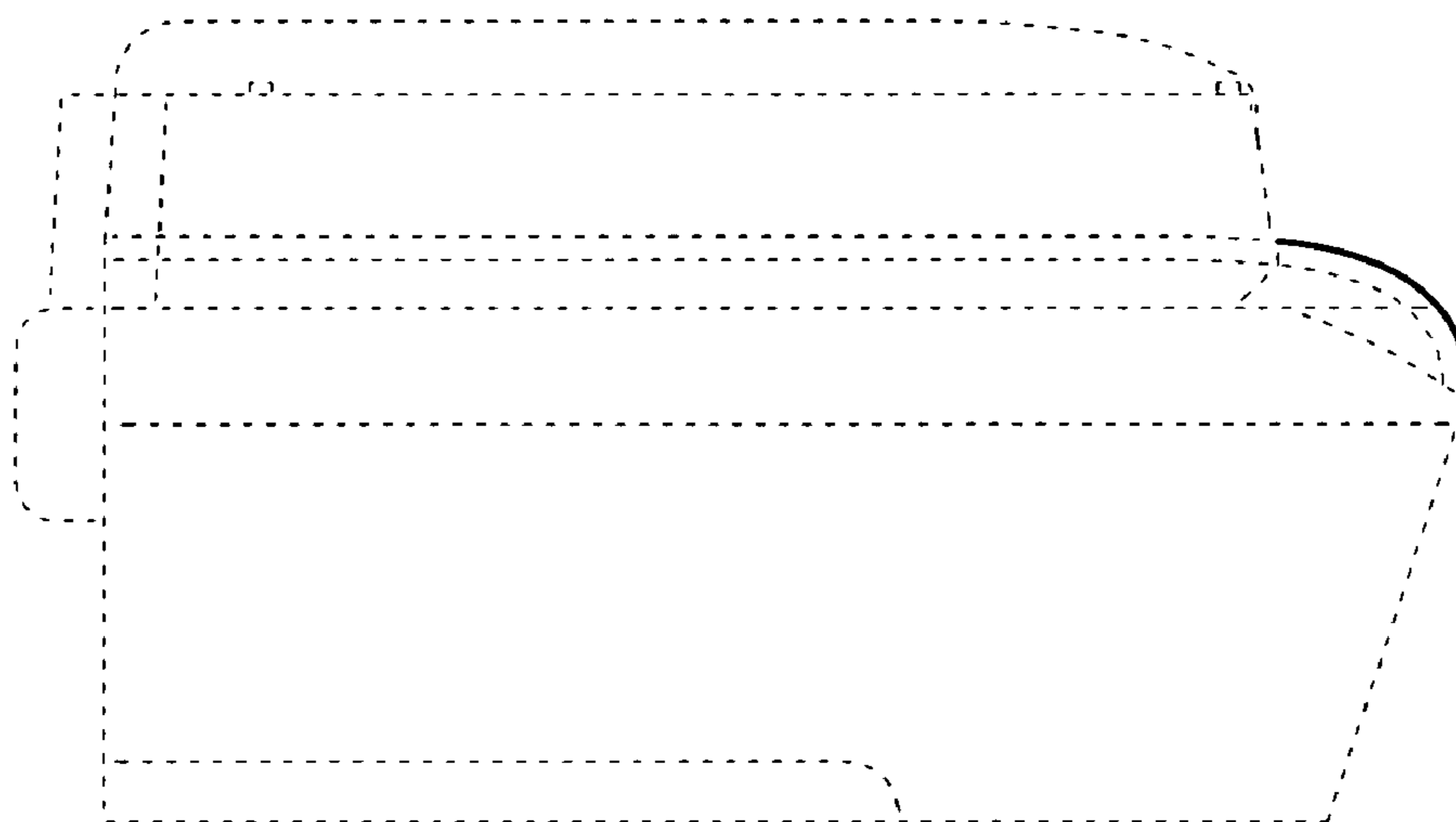


FIG. 5

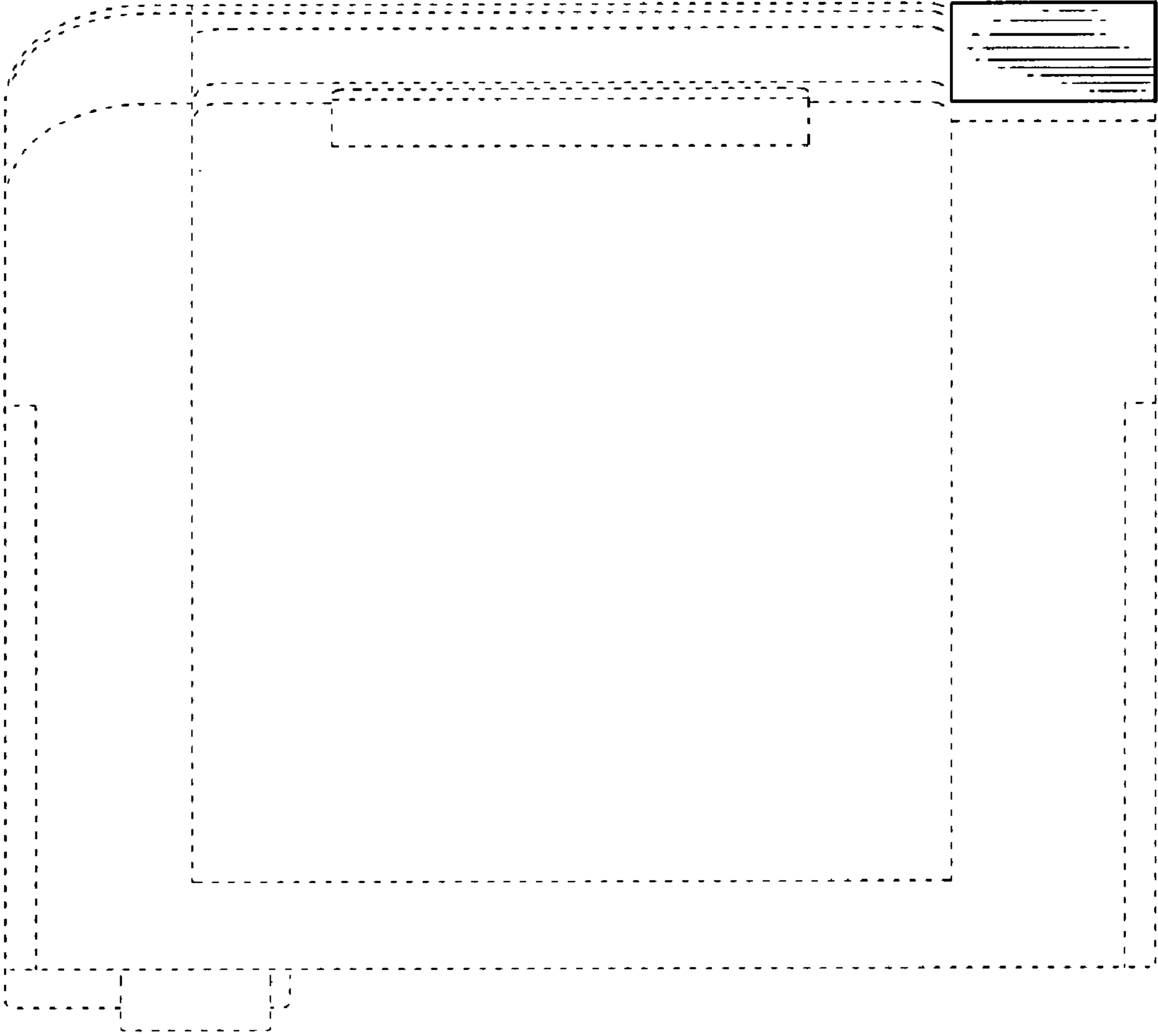


FIG. 6