



US00D573631S

(12) **United States Design Patent**
Oda et al.

(10) **Patent No.:** **US D573,631 S**
(45) **Date of Patent:** **** Jul. 22, 2008**

(54) **TONER CARTRIDGE**

2004/0264984 A1* 12/2004 Yabuki et al. 399/27

(75) Inventors: **Yukiyoshi Oda**, Tokyo (JP); **Shinichi Otani**, Tokyo (JP)

* cited by examiner

(73) Assignee: **Oki Data Corporation**, Tokyo (JP)

Primary Examiner—Caron D. Veynar

Assistant Examiner—Garth Rademaker

(74) *Attorney, Agent, or Firm*—Ladas and Parry LLP

(**) Term: **14 Years**

(57) **CLAIM**

(21) Appl. No.: **29/269,114**

We claim the ornamental design for a toner cartridge, as shown.

(22) Filed: **Nov. 20, 2006**

(51) **LOC (8) Cl.** **16-03**

(52) **U.S. Cl.** **D18/43**

(58) **Field of Classification Search** D14/471;
D18/12, 36, 40, 43, 44, 56; 222/DIG. 1;
347/197, 222; 399/24–28, 107–112, 119,
399/121, 122, 222–224

See application file for complete search history.

DESCRIPTION

FIG. 1 is a top plan view of a toner cartridge showing our new design;

FIG. 2 is a front elevational view thereof;

FIG. 3 is a bottom plan view thereof;

FIG. 4 is a rear elevational view thereof;

FIG. 5 is a left side elevational view thereof;

FIG. 6 is a right side elevational view thereof;

FIG. 7 is a perspective view as seen from the top, rear, and left side thereof; and,

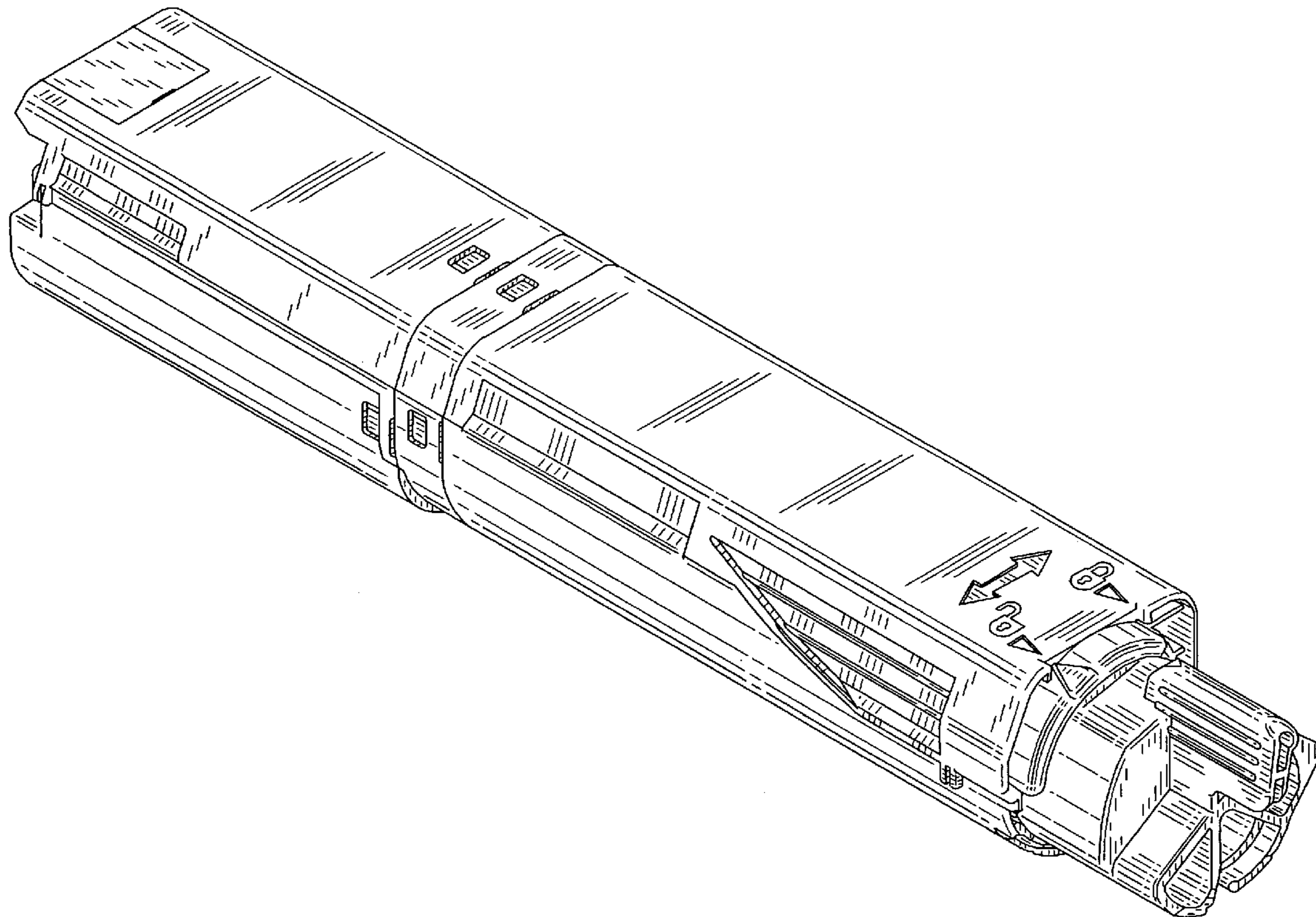
FIG. 8 is a perspective view as seen from the top, rear, and right side thereof.

(56) **References Cited**

U.S. PATENT DOCUMENTS

- 5,331,382 A * 7/1994 Miura et al. 399/263
- 6,324,371 B1 * 11/2001 Okiyama et al. 399/106
- D491,602 S * 6/2004 Koyama et al. D18/43
- 7,194,230 B2 * 3/2007 Haruyama 222/DIG. 1
- D546,873 S * 7/2007 Otani et al. D18/43
- D552,164 S * 10/2007 Kouroku et al. D18/43

1 Claim, 5 Drawing Sheets



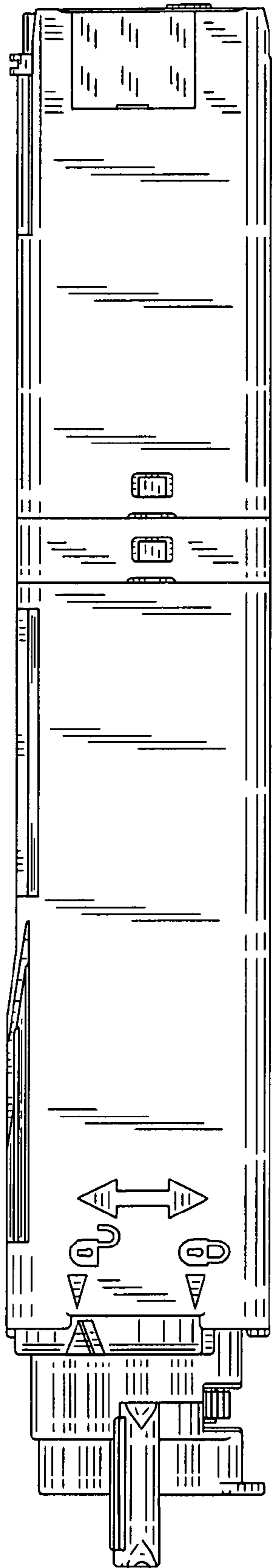


FIG. 1

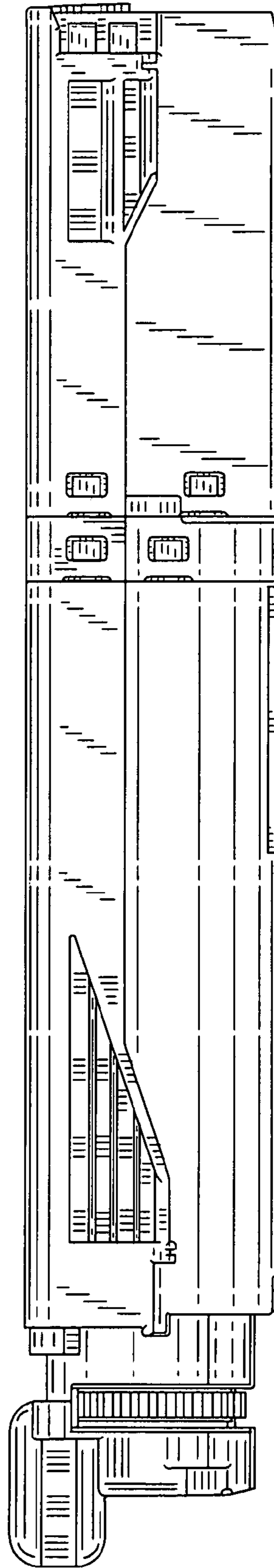


FIG. 2

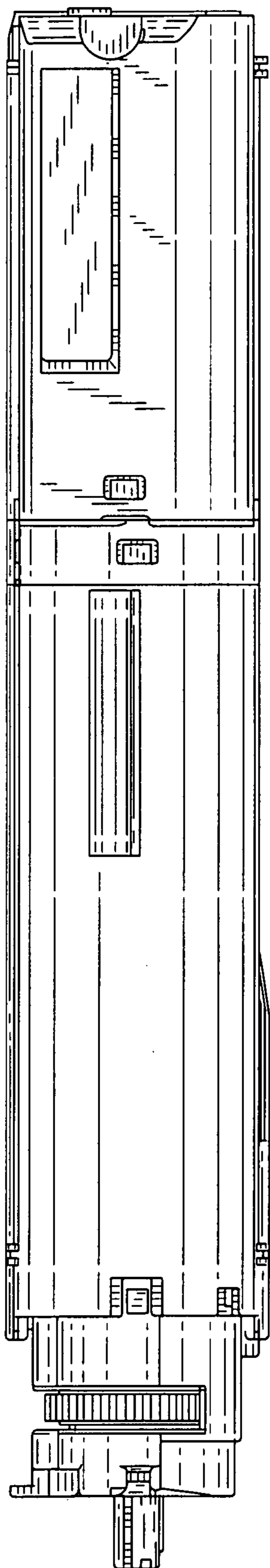


FIG. 3

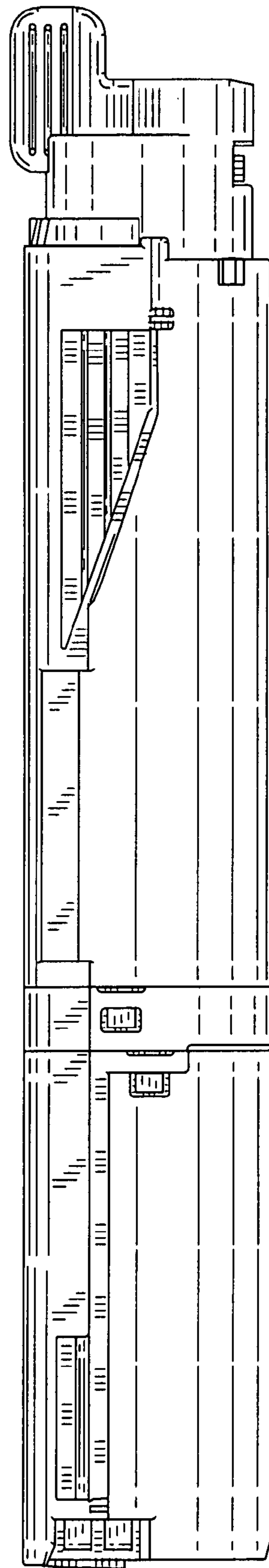


FIG. 4

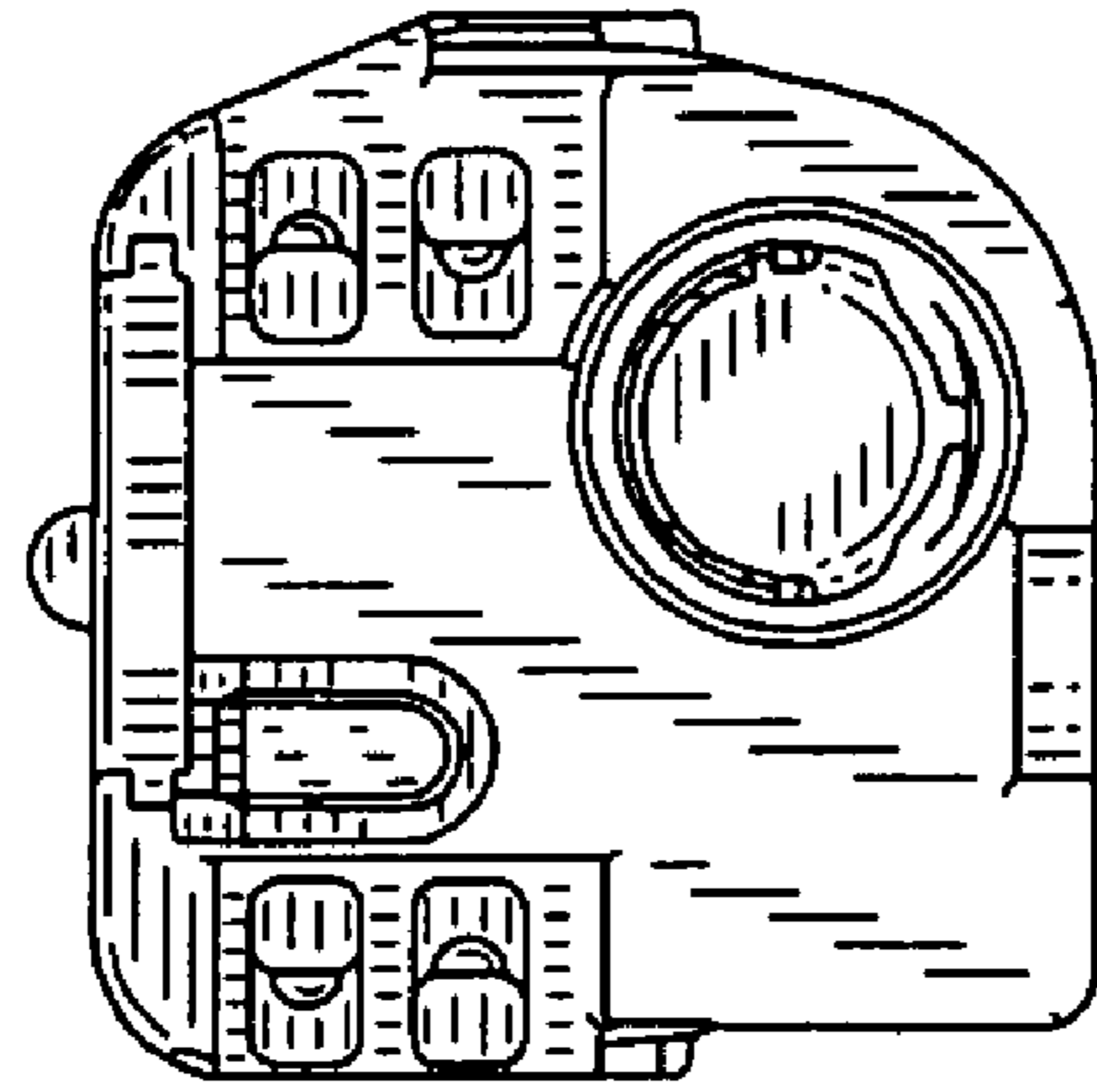


FIG. 6

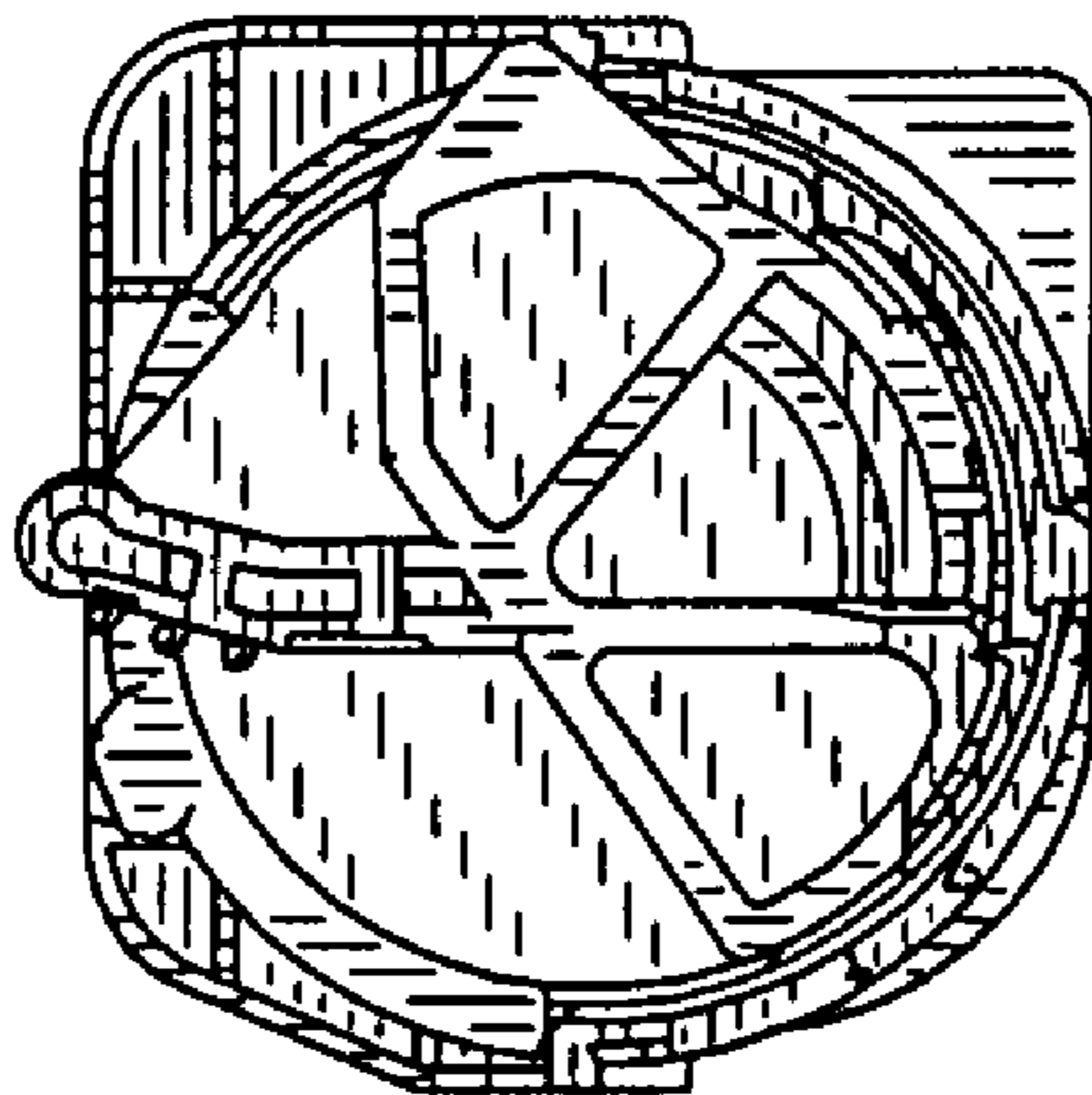


FIG. 5

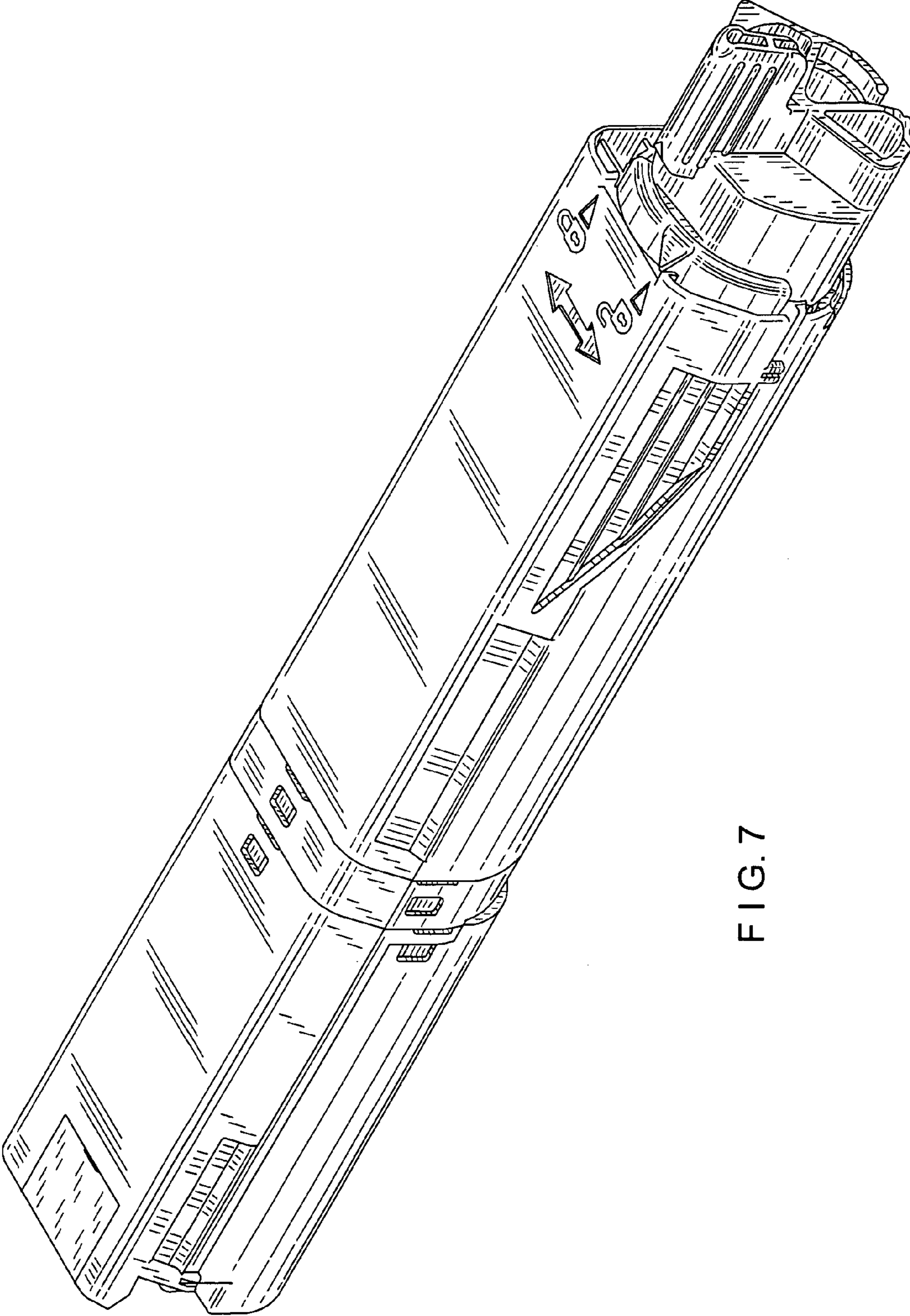


FIG. 7

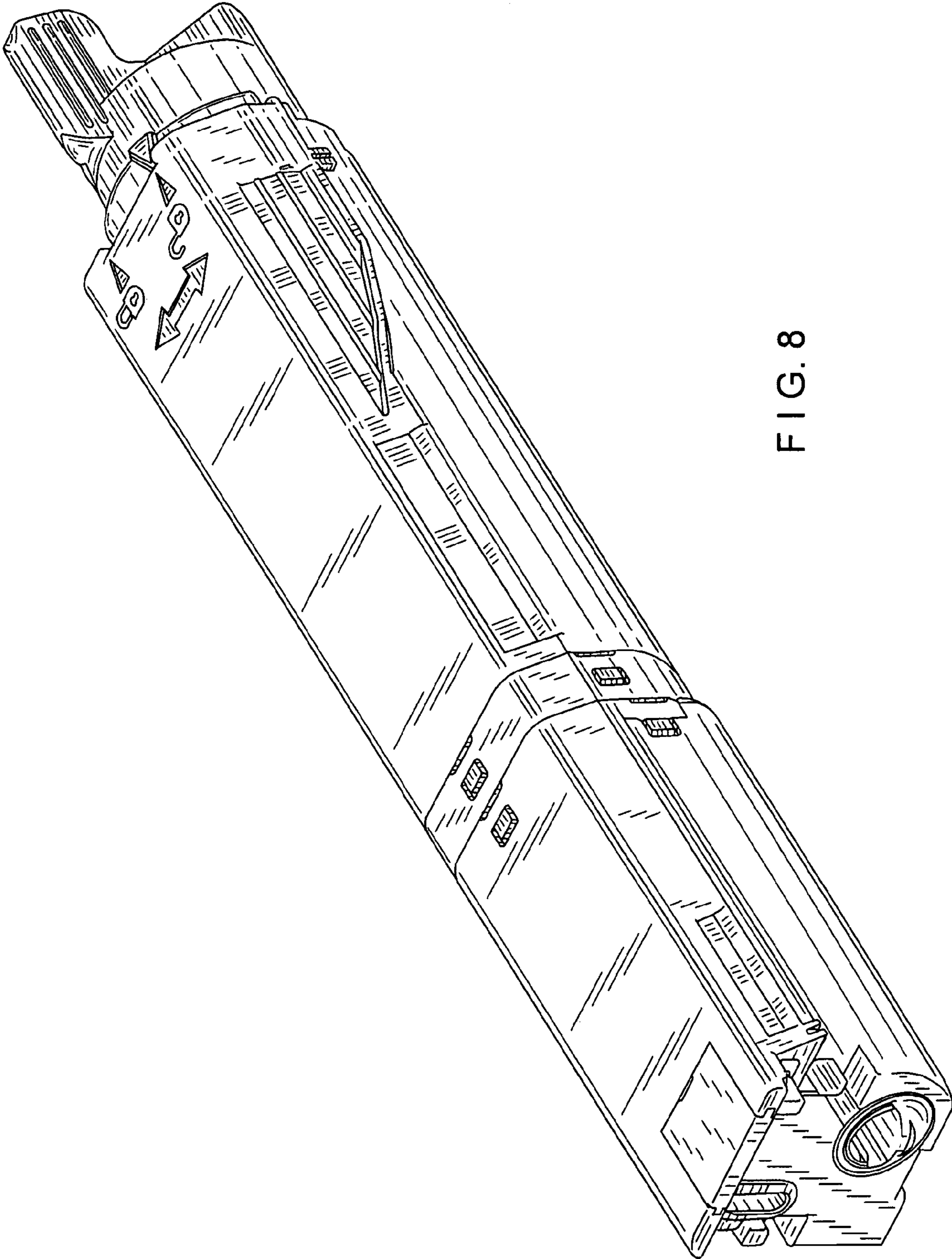


FIG. 8