



US00D573630S

(12) **United States Design Patent**
Oas

(10) **Patent No.:** **US D573,630 S**

(45) **Date of Patent:** **** Jul. 22, 2008**

(54) **CALCULATOR**

(76) Inventor: **Daniel Oas**, 6250 N. Irwindale Ave.,
Irwindale, CA (US) 91702

(**) Term: **14 Years**

(21) Appl. No.: **29/266,806**

(22) Filed: **Sep. 27, 2006**

(51) **LOC (8) Cl.** **18-01**

(52) **U.S. Cl.** **D18/7**

(58) **Field of Classification Search** D14/191,
D14/218, 341-347, 383, 387, 388; D18/1,
D18/2, 4.4, 4.5, 6-12, 12.1, 12.2, 12.3; D21/512;
235/58 R, 59 A, 59 BC, 59 BD, 59 BE, 59 BF,
235/59 BG, 59 BH, 39 CP, 59 T, 59 TP, 61 R;
708/100, 105, 130

See application file for complete search history.

(56) **References Cited**

U.S. PATENT DOCUMENTS

- D245,024 S * 7/1977 Genin D18/7
- D300,539 S * 4/1989 Wong D18/7
- D314,004 S * 1/1991 Ida D18/7
- D370,472 S * 6/1996 Scianna D14/458

- D410,440 S * 6/1999 Carnell D14/346
- D432,560 S * 10/2000 Endrulat D18/7
- D532,440 S * 11/2006 Oas D18/7

* cited by examiner

Primary Examiner—Caron D. Veynar

Assistant Examiner—Garth Rademaker

(74) *Attorney, Agent, or Firm*—Edgar W. Averill, Jr.; Kenneth L. Green

(57) **CLAIM**

The ornamental design for a calculator, as shown and described.

DESCRIPTION

FIG. 1 is a front, bottom, left side perspective view of a calculator showing my new design

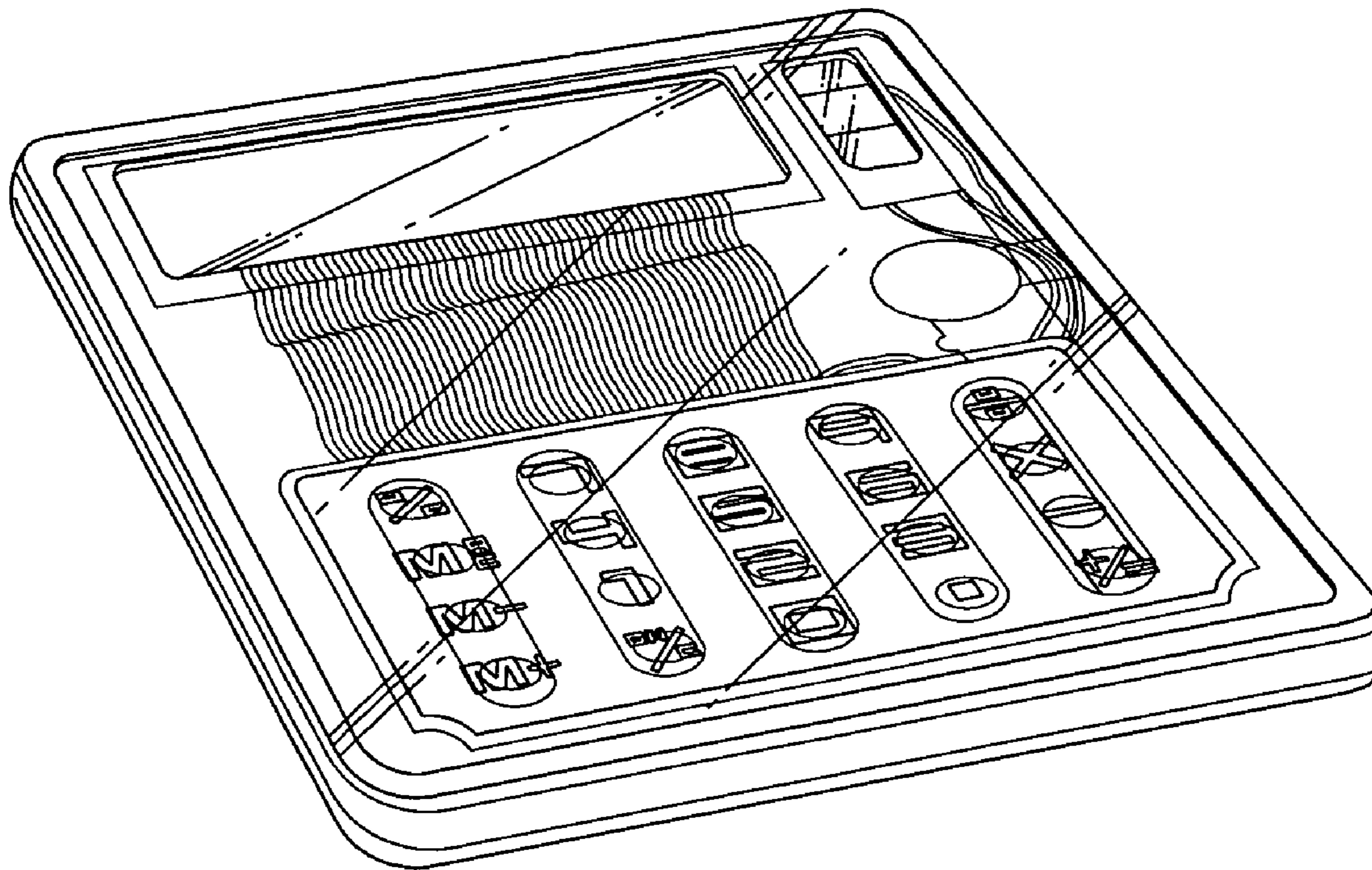
FIG. 2 is a front elevation view thereof;

FIG. 3 is a right side elevation view thereof, the left side elevation view being identical thereto;

FIG. 4 is a top plan view thereof, the bottom plan view thereof being identical thereto; and,

FIG. 5 is a back elevation view thereof.

1 Claim, 2 Drawing Sheets



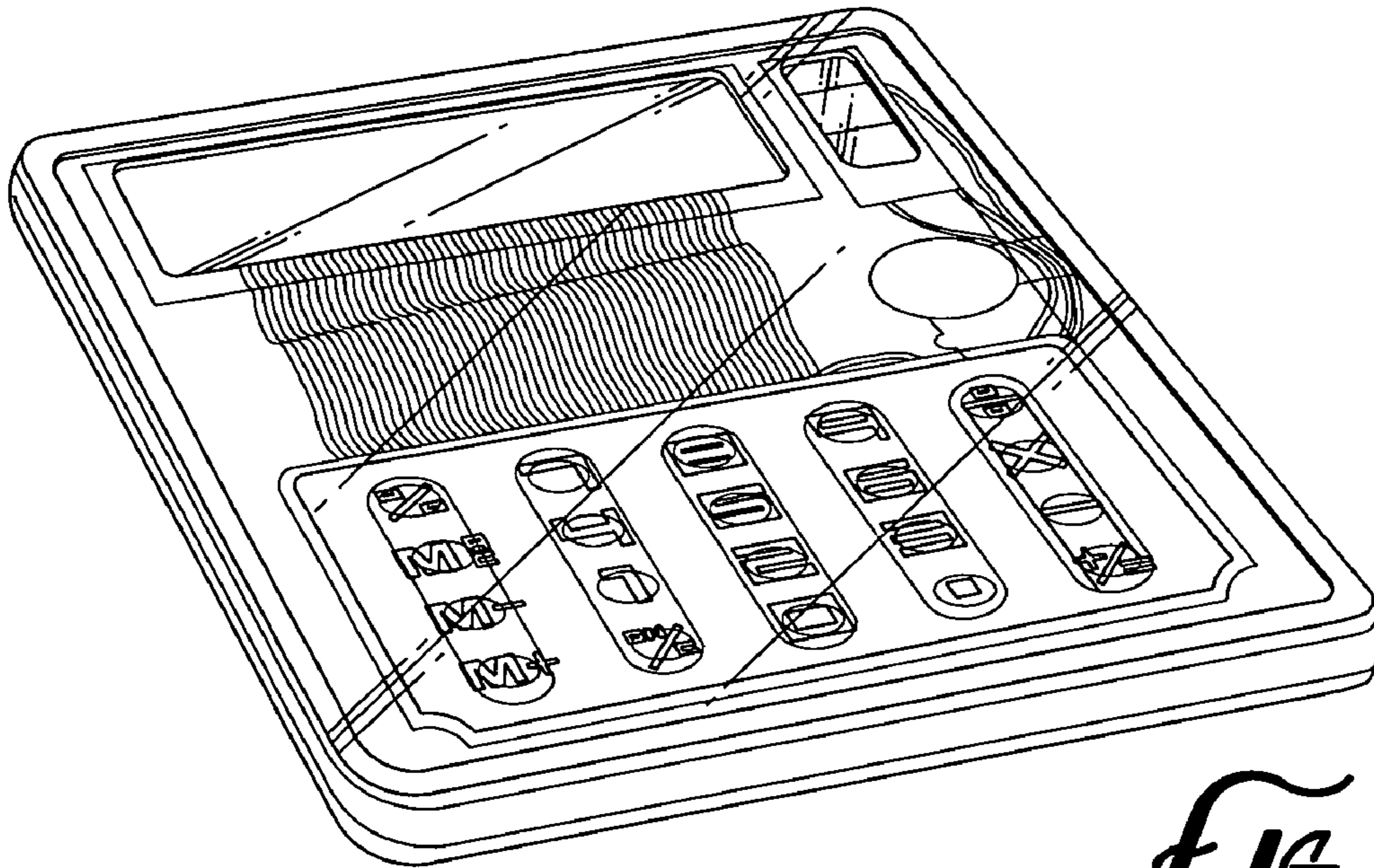


FIG. 1

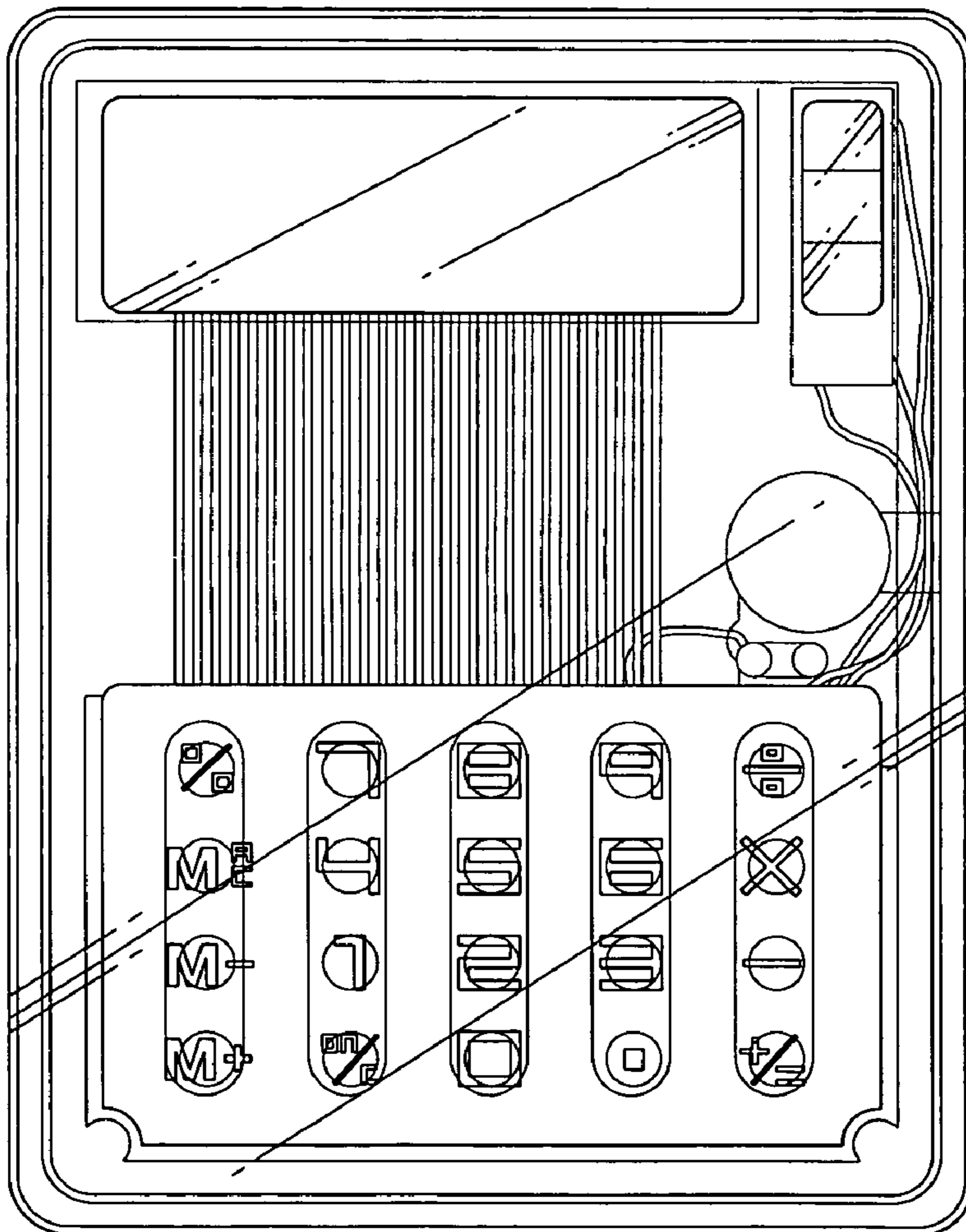


FIG. 2

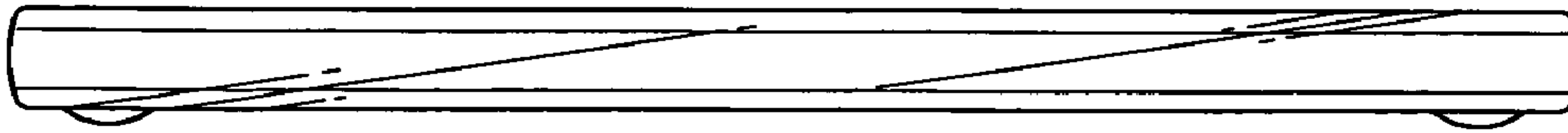


FIG. 3

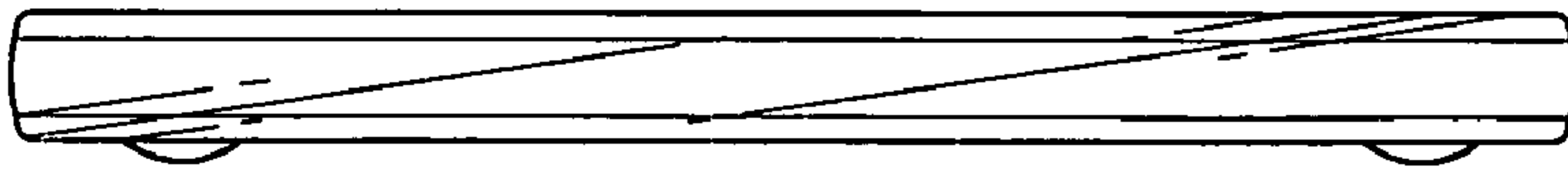


FIG. 4

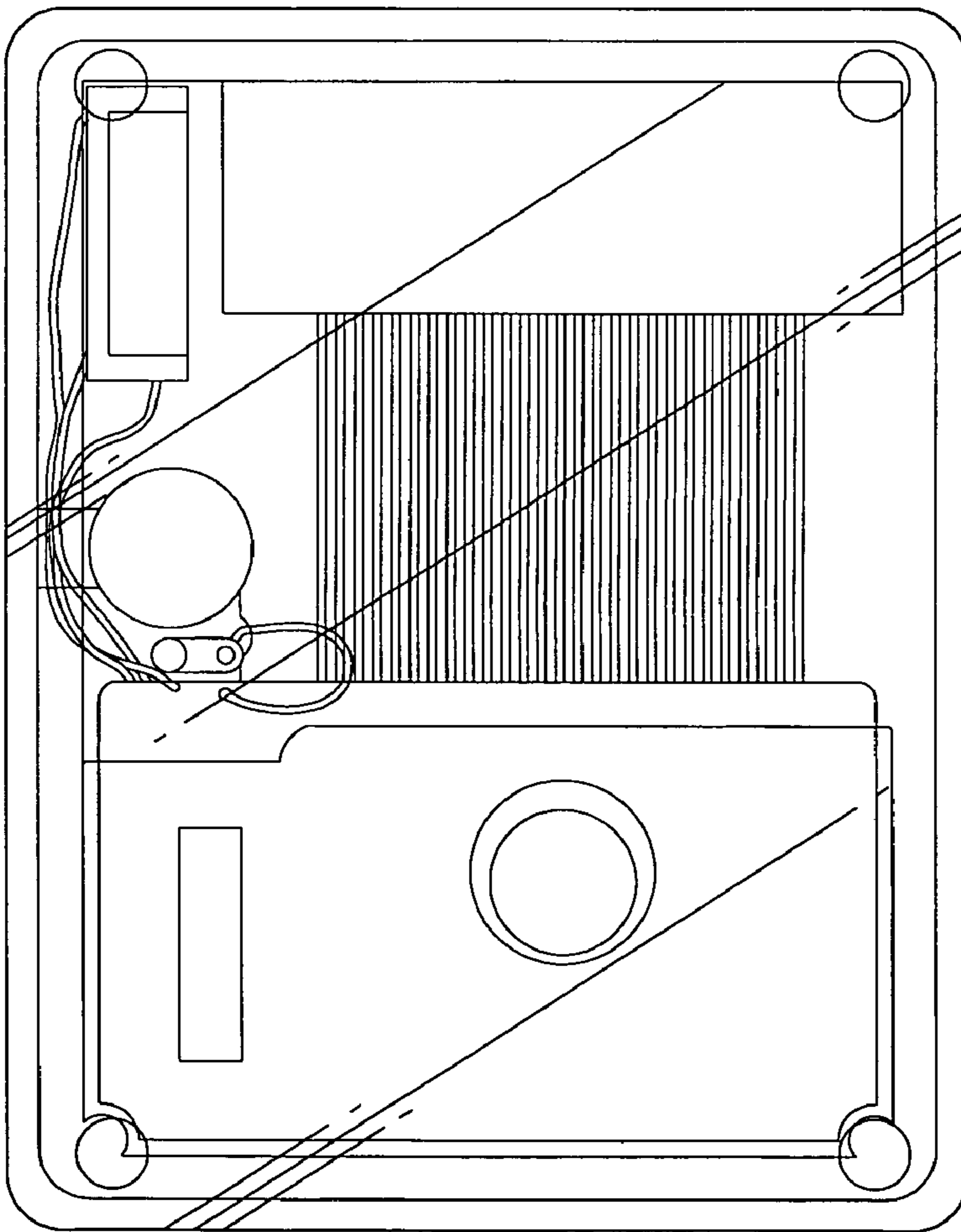


FIG. 5