



US00D573628S

(12) **United States Design Patent**  
**Sakamoto**

(10) **Patent No.:** **US D573,628 S**  
(45) **Date of Patent:** **\*\* Jul. 22, 2008**

(54) **REMOTE CONTROLLER FOR VIDEO CAMERA**

D503,402 S 3/2005 Su et al.  
D556,698 S \* 12/2007 Walser ..... D13/164  
2006/0092602 A1\* 5/2006 Hou et al. .... 361/679

(75) Inventor: **Satoshi Sakamoto**, Kadoma (JP)

FOREIGN PATENT DOCUMENTS

(73) Assignee: **Matsushita Electric Industrial Co., Ltd.**, Osaka (JP)

JP	D1071876	5/2000
JP	D1072888	6/2000
JP	D1075904	6/2000
JP	D1120666	9/2001
JP	D1197380	2/2004
JP	D1204845	5/2004
JP	D1220481	10/2004
JP	D1221525	11/2004
JP	D1241881	6/2005
JP	D1253222	10/2005
JP	D1266271	3/2006

(\*\*) Term: **14 Years**

(21) Appl. No.: **29/269,354**

(22) Filed: **Nov. 29, 2006**

(30) **Foreign Application Priority Data**

May 31, 2006 (JP) ..... 2006-013848

\* cited by examiner

(51) **LOC (8) Cl.** ..... **16-05**

*Primary Examiner*—Ian Simmons

(52) **U.S. Cl.** ..... **D16/237; D13/164; D13/168**

*Assistant Examiner*—Wan Laymon

(58) **Field of Classification Search** ..... D16/219,  
D16/237, 242, 245; D13/168, 162, 164,  
D13/177, 158, 184; D14/413, 218; 340/825.22,  
340/825.29, 825.72, 825.69; 396/57; D10/49,  
D10/46, 62, 106; 200/5 R, 5 A; 361/671,  
361/680; 455/151.2, 151.3, 151.4  
See application file for complete search history.

(74) *Attorney, Agent, or Firm*—Brinks Hofer Gilson & Lione

(57) **CLAIM**

The ornamental design for a remote controller for video camera, as shown and described.

(56) **References Cited**

**DESCRIPTION**

U.S. PATENT DOCUMENTS

FIG. 1 is a front, top perspective view of a remote controller for video camera of the present invention;

D374,628 S	*	10/1996	Gregorian-Michaelsen et al. ....	D10/50
D411,530 S	*	6/1999	Carter et al. ....	D14/400
D423,508 S		4/2000	Nakajima	
D431,199 S	*	9/2000	Bennett et al. ....	D10/50
D451,529 S	*	12/2001	Vasquez ..... D16/237	
D460,053 S		7/2002	Choi	
D478,051 S		8/2003	Sagawa	
D494,937 S	*	8/2004	You et al. ....	D13/162
D501,463 S		2/2005	Hisatsune	

FIG. 2 is a front view thereof;

FIG. 3 is a top view thereof;

FIG. 4 is a bottom view thereof;

FIG. 5 is a left side view thereof;

FIG. 6 is a right side view thereof; and,

FIG. 7 is a rear view thereof.

**1 Claim, 5 Drawing Sheets**

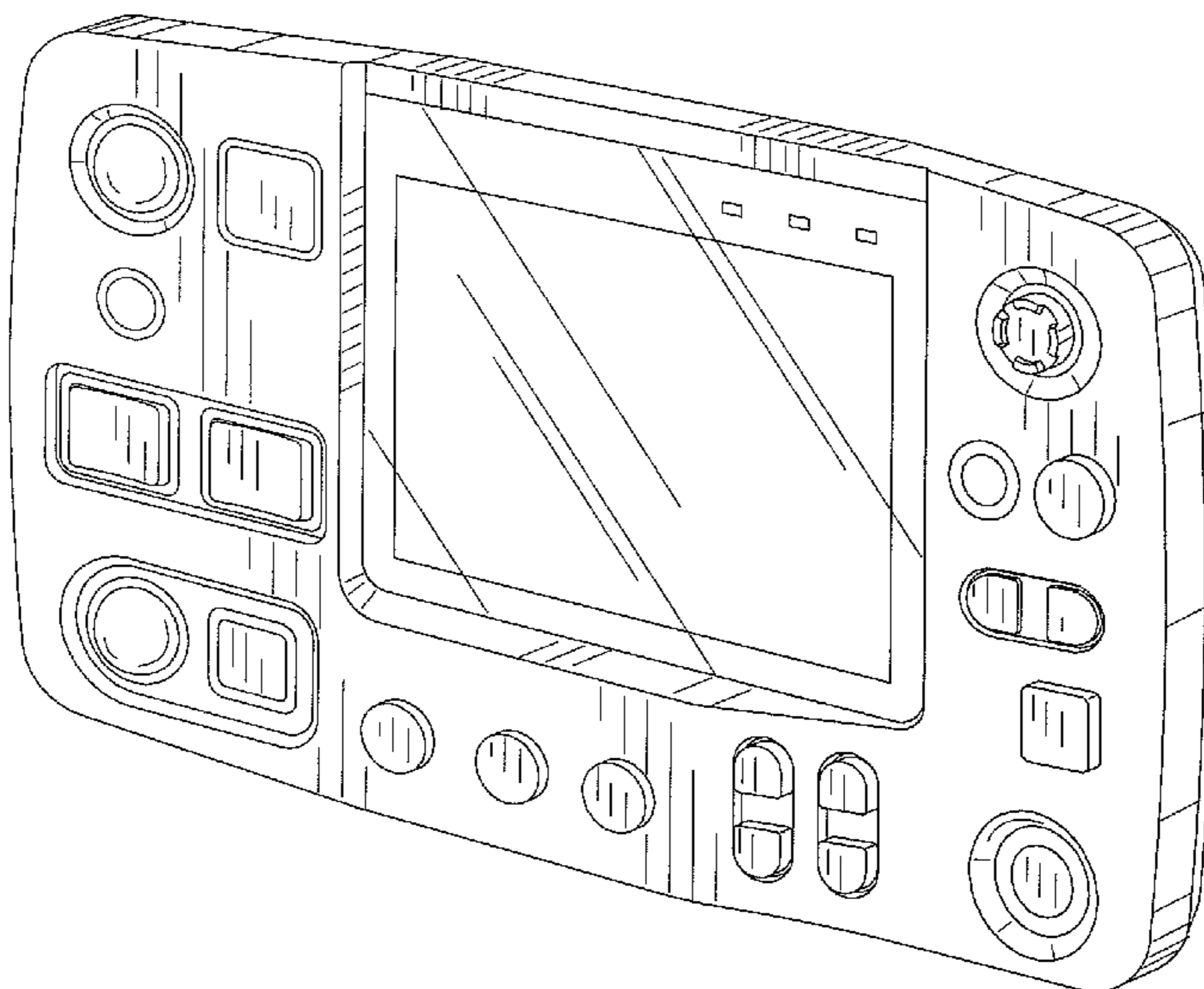


FIG. 1

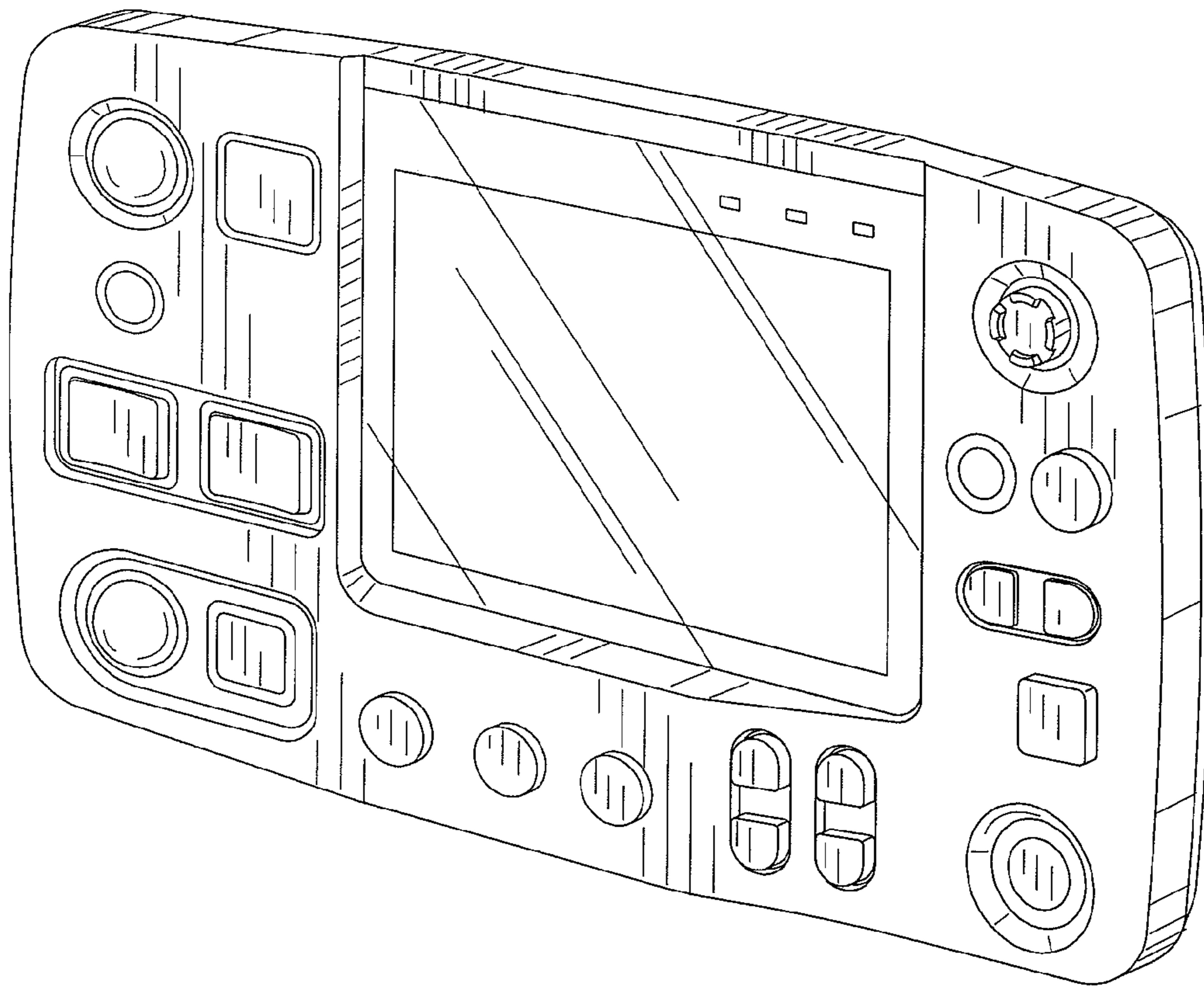


FIG.2

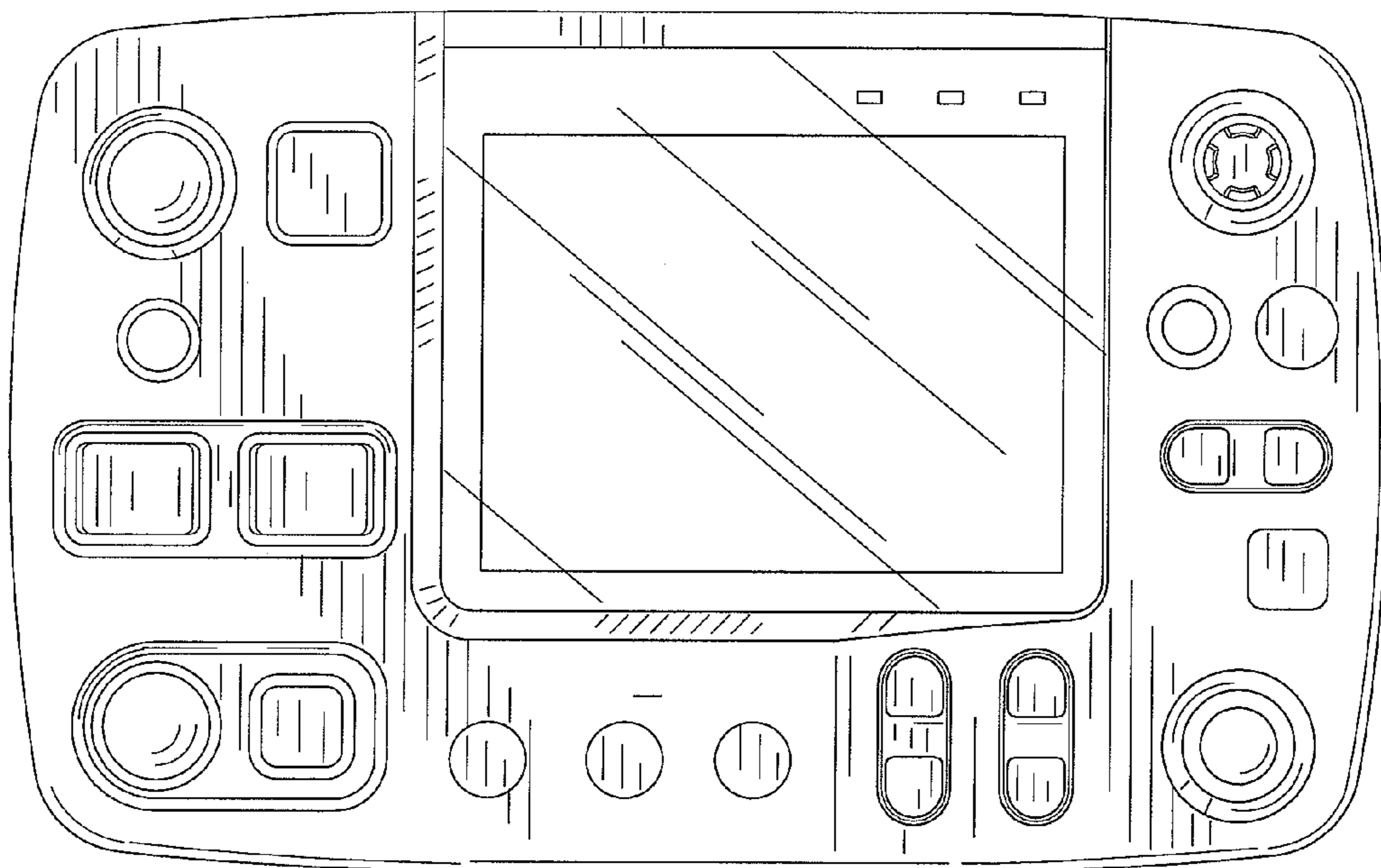


FIG.3

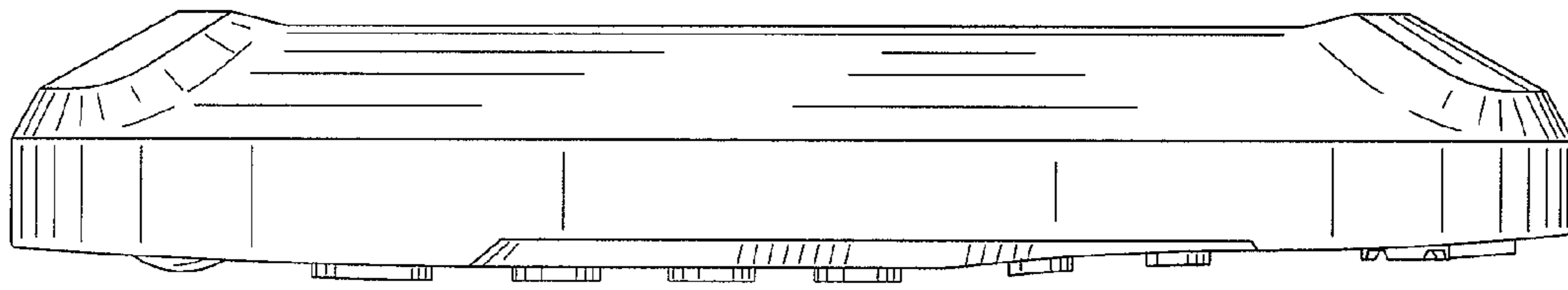
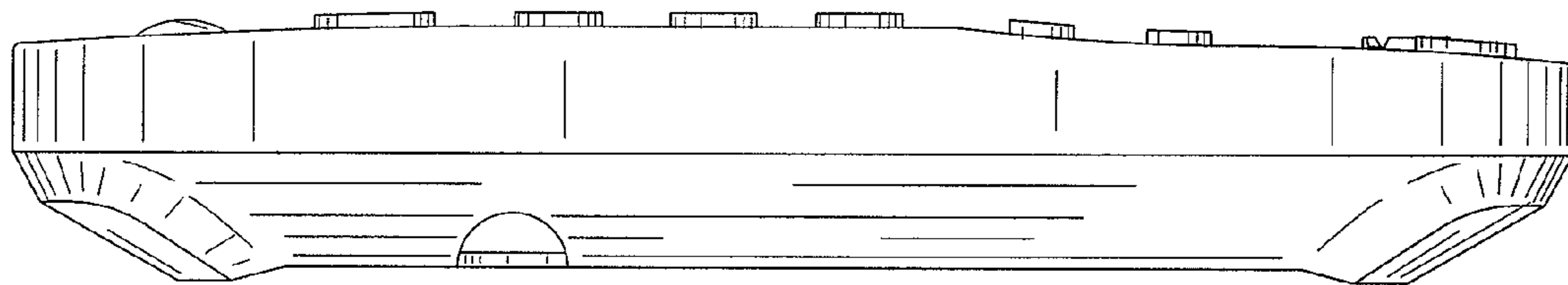
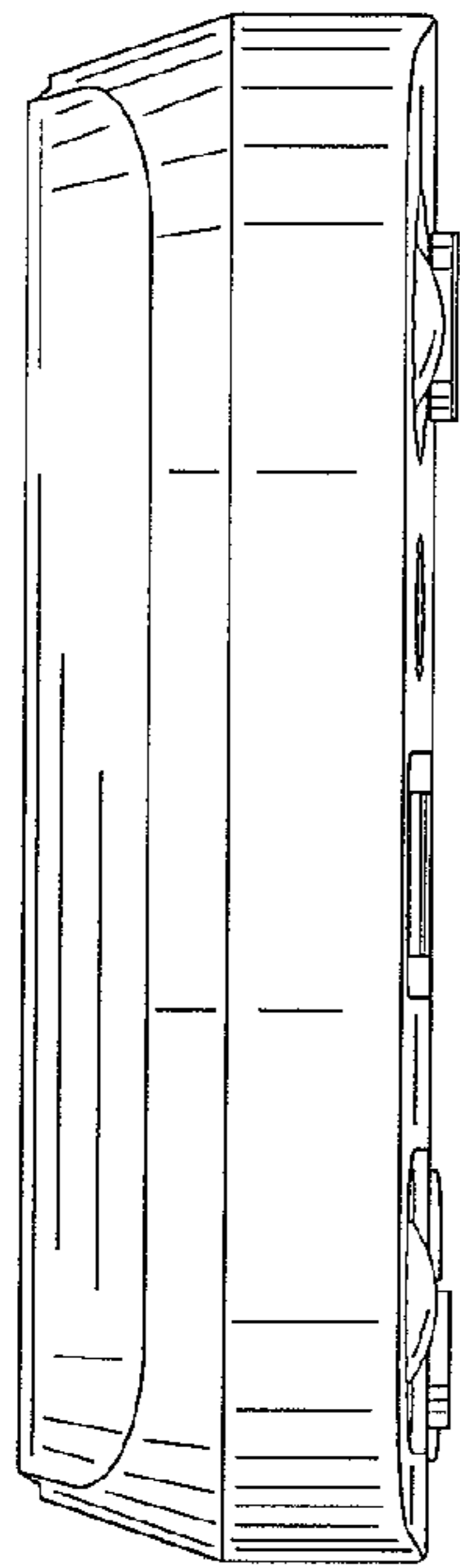


FIG.4



*FIG.5*



*FIG.6*

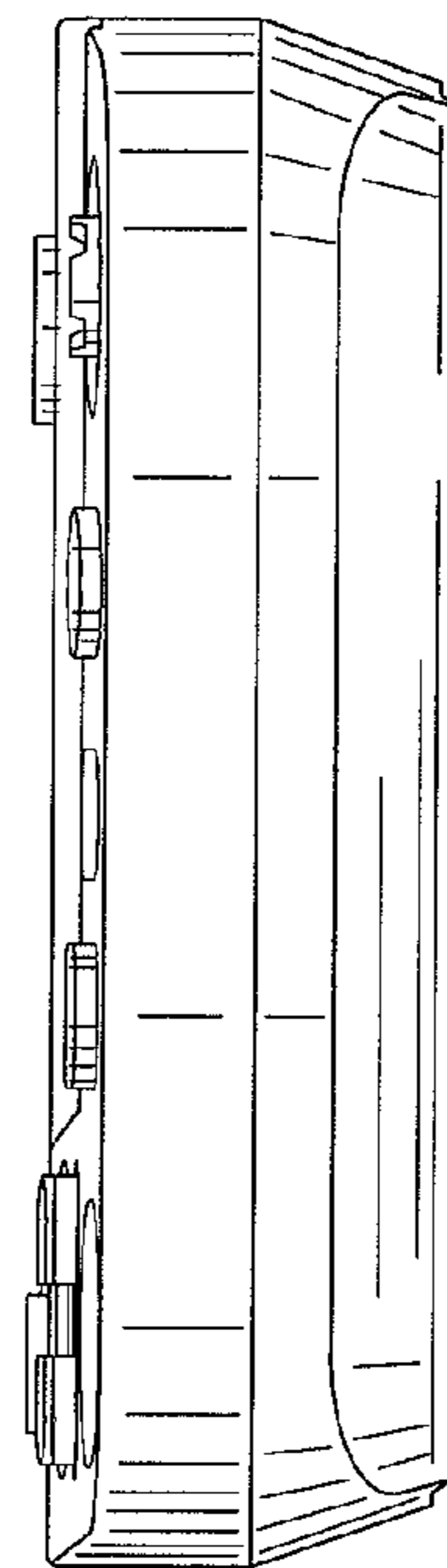


FIG.7

