



US00D573627S

(12) **United States Design Patent**
Macura et al.

(10) **Patent No.:** **US D573,627 S**
(45) **Date of Patent:** **** Jul. 22, 2008**

(54) **PROJECTION APPARATUS**

(75) Inventors: **Marko Macura**, Eindhoven (NL);
Thomas Marzano, Eindhoven (NL)

(73) Assignee: **Koninklijke Philips Electronics N.V.**,
Eindhoven (NL)

(**) Term: **14 Years**

(21) Appl. No.: **29/278,945**

(22) Filed: **Apr. 16, 2007**

(30) **Foreign Application Priority Data**

Oct. 20, 2006 (EM) 000607593

(51) **LOC (8) Cl.** **16-02**

(52) **U.S. Cl.** **D16/221**

(58) **Field of Classification Search** D16/221,
D16/225, 230, 234, 205, 208, 235; D21/514;
352/34, 242; 353/115, 119, 122; 362/256,
362/362, 172-173

See application file for complete search history.

(56) **References Cited**

U.S. PATENT DOCUMENTS

D219,071 S * 10/1970 Ainslie D16/230
D513,030 S * 12/2005 Schoenert et al. D16/221

D514,611 S * 2/2006 Schoenert et al. D16/221
D557,725 S * 12/2007 Ebihara D16/221
7,329,010 B2 * 2/2008 Kuroda 353/87
2006/0087627 A1 * 4/2006 Furumi 353/119
2006/0290904 A1 * 12/2006 Corn 353/119
2007/0229782 A1 * 10/2007 Ho 353/122

* cited by examiner

Primary Examiner—Ian Simmons
Assistant Examiner—Wan Laymon

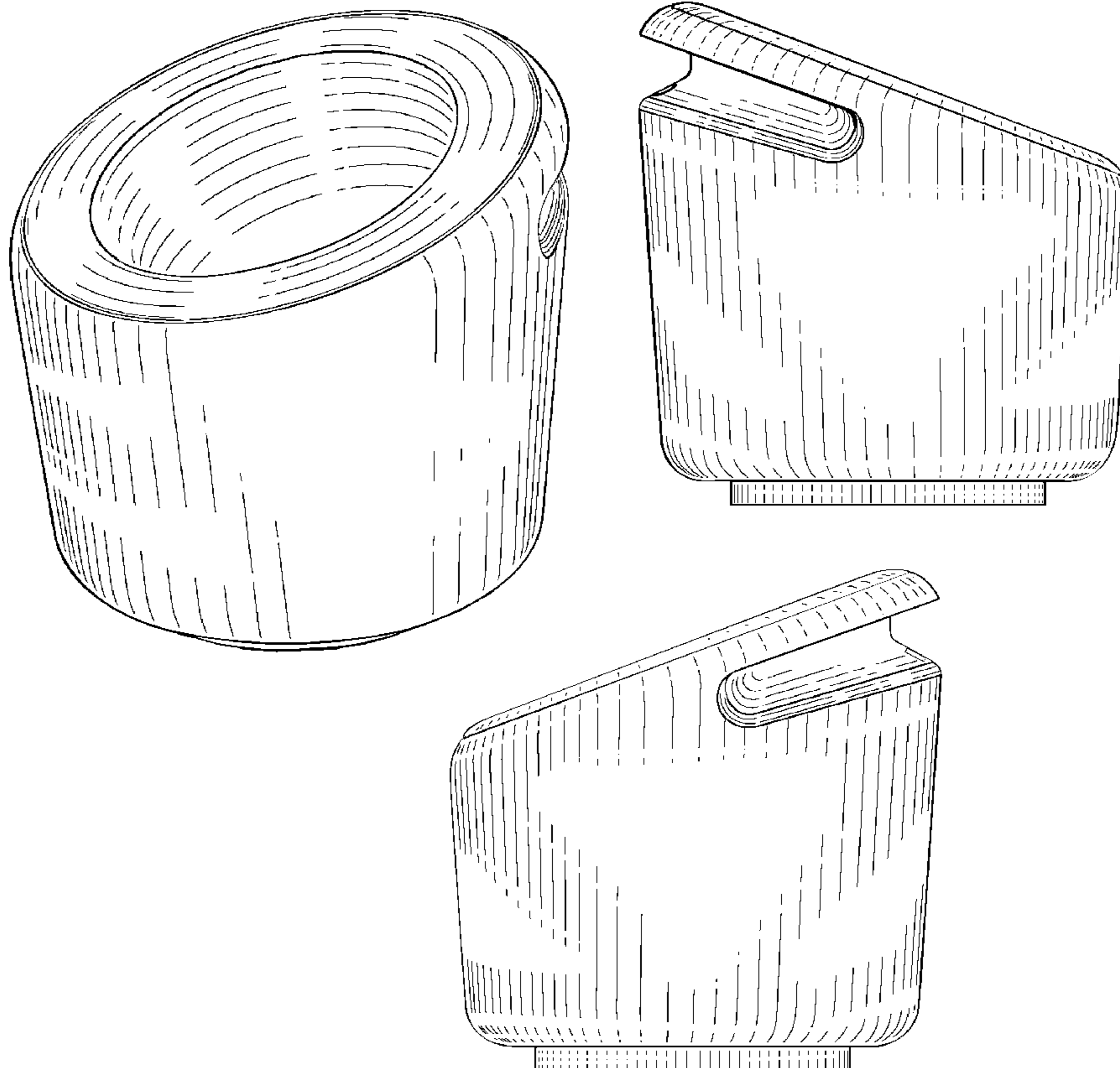
(57) **CLAIM**

The ornamental design for a projection apparatus, as shown.

DESCRIPTION

FIG. 1 is a perspective view showing my design;
FIG. 2 is a front elevational view thereof;
FIG. 3 is a rear elevational view thereof;
FIG. 4 is a right side elevational view thereof;
FIG. 5 is a left side elevational view thereof;
FIG. 6 is a top plan view thereof; and,
FIG. 7 is a bottom plan view thereof.
The broken lines in Figures are for illustrative purposes only
and form no part of the claimed design.

1 Claim, 4 Drawing Sheets



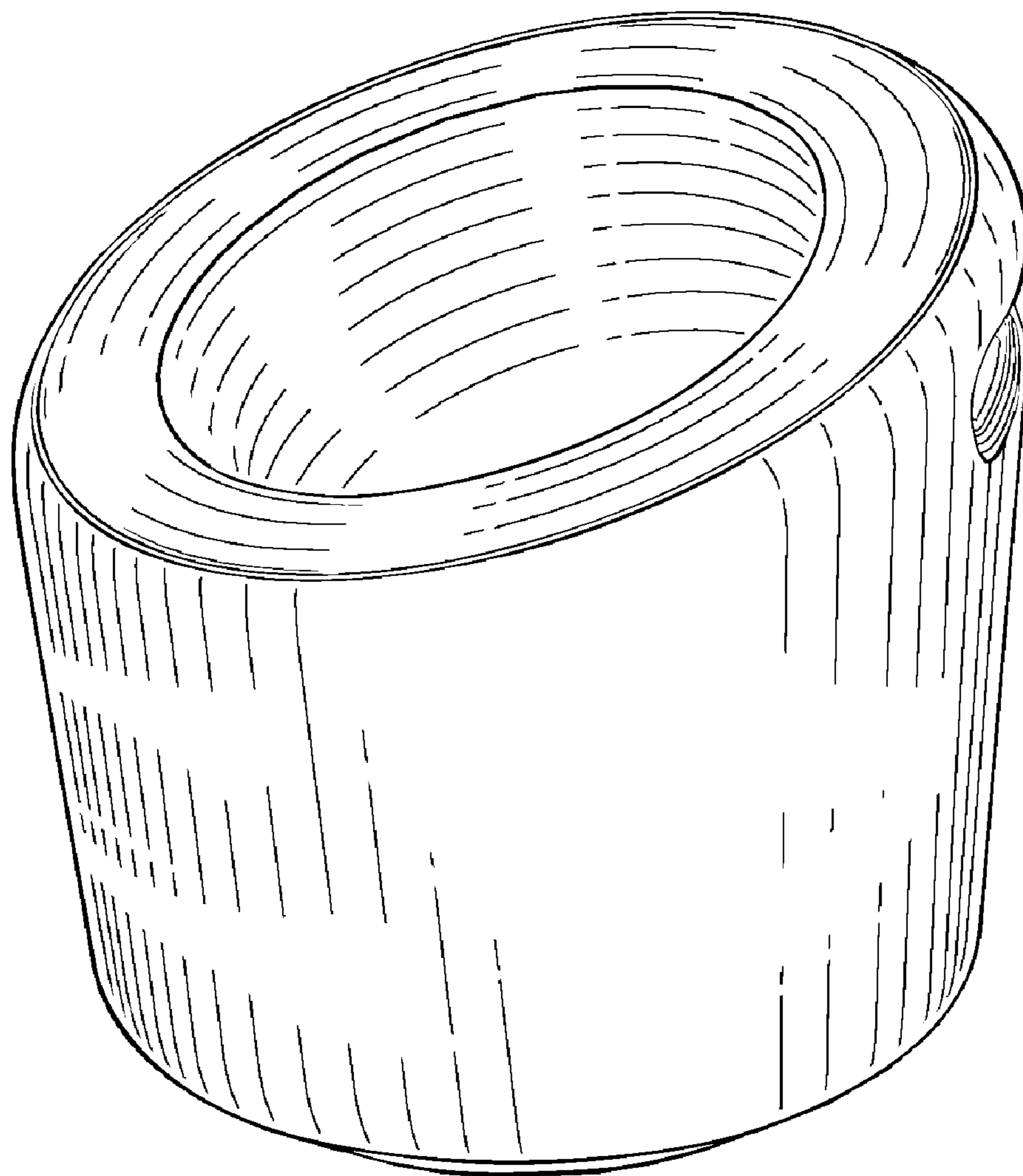


FIG. 1

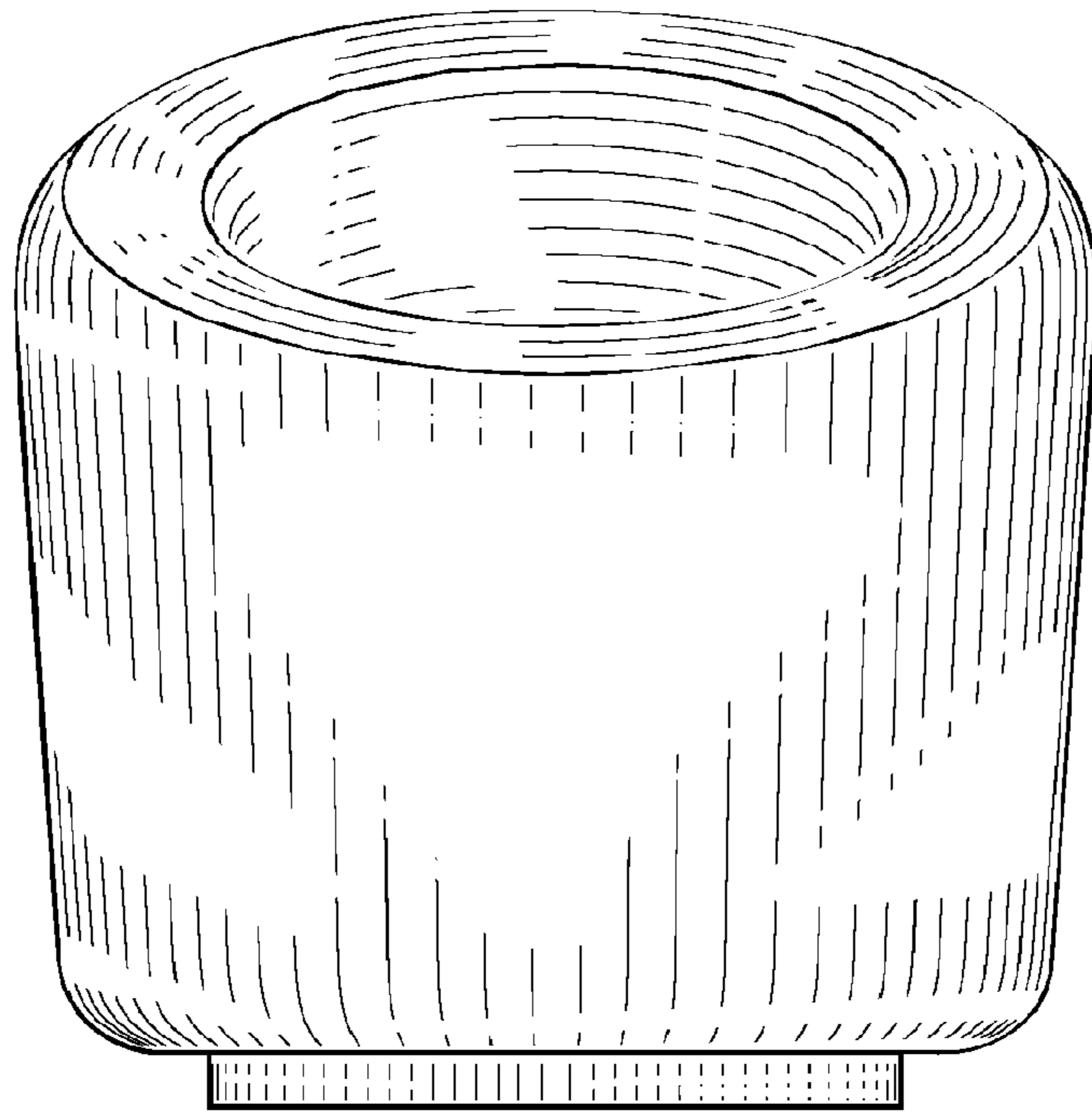


FIG. 2

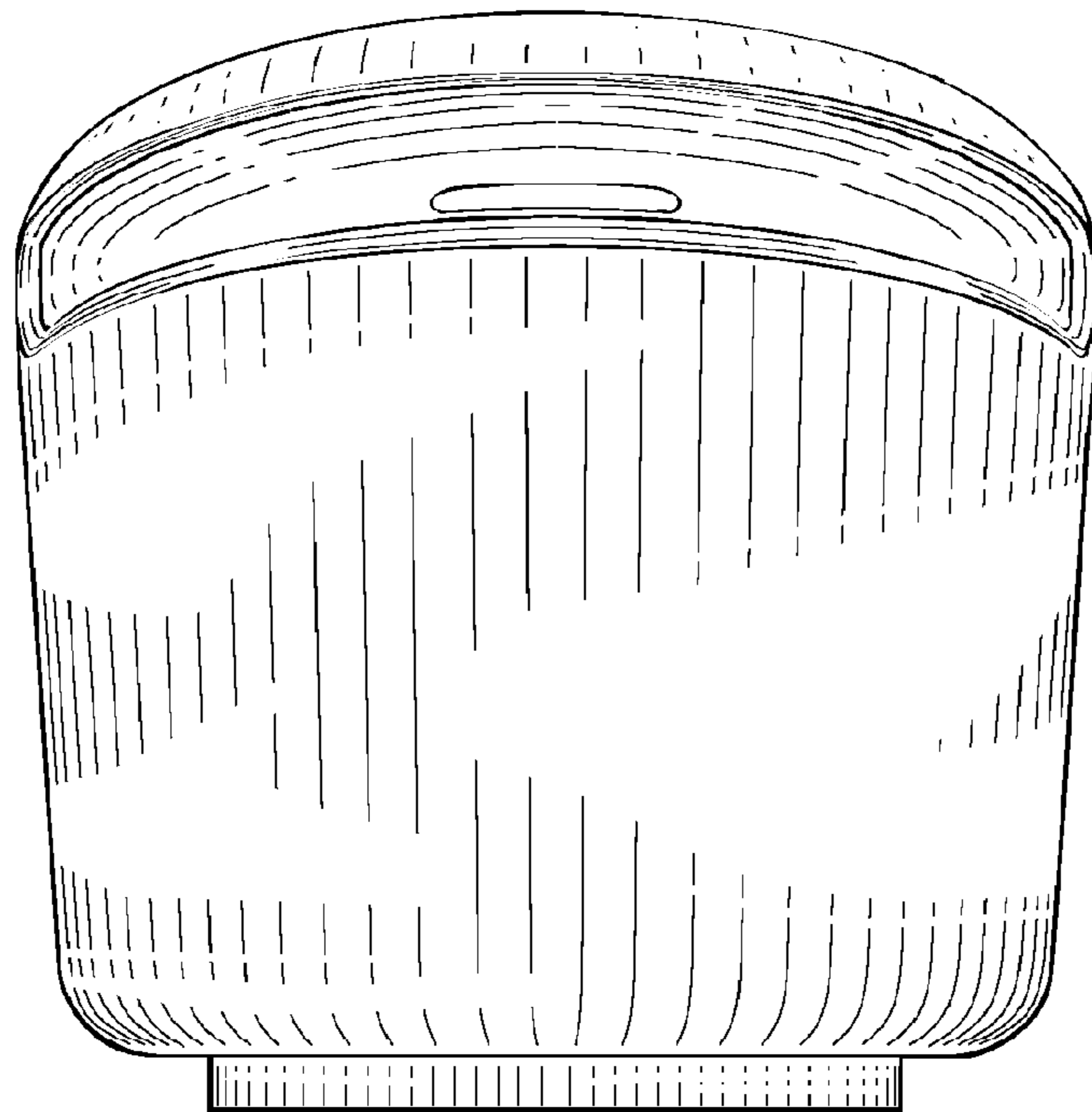


FIG. 3

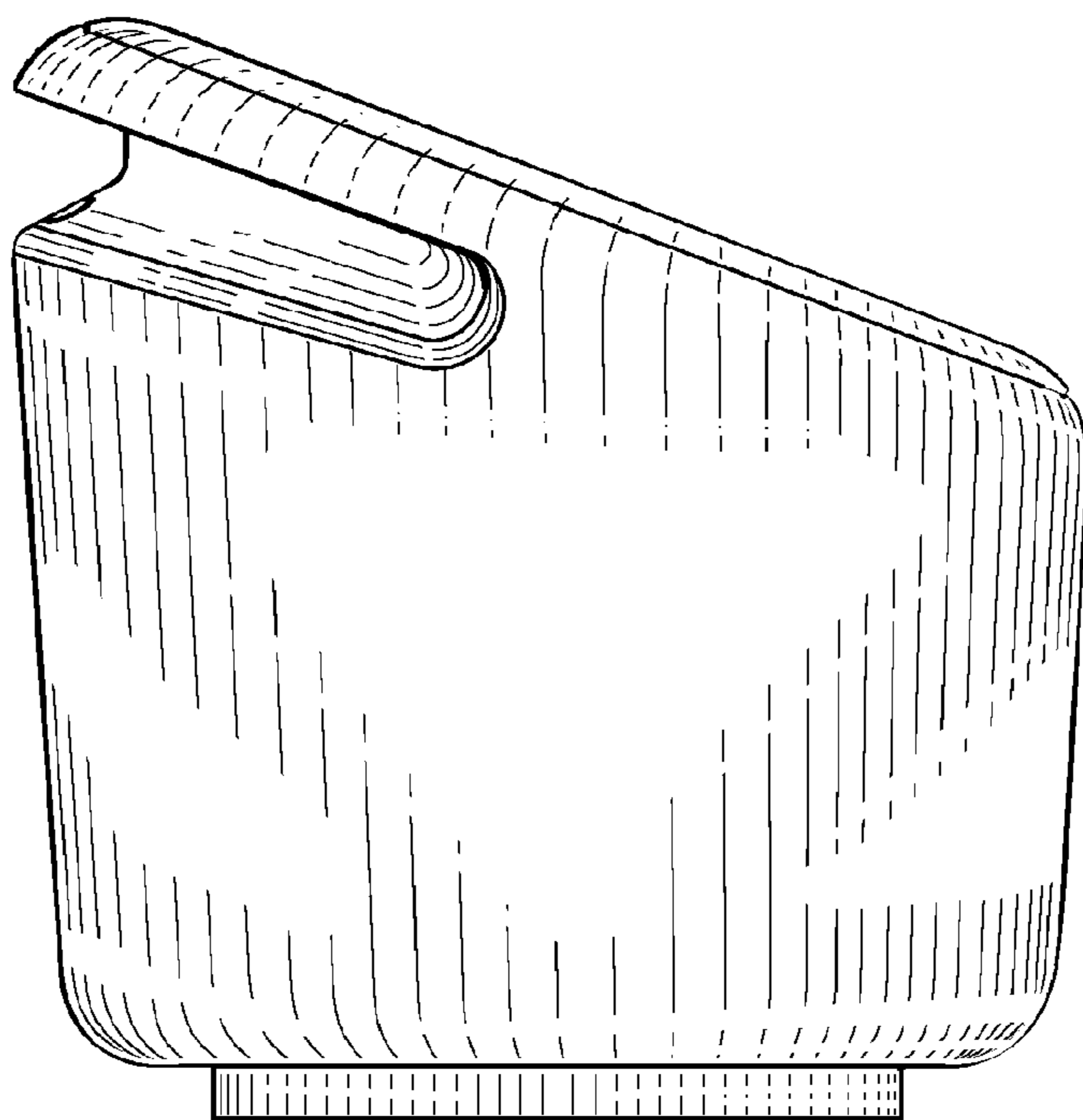


FIG. 4

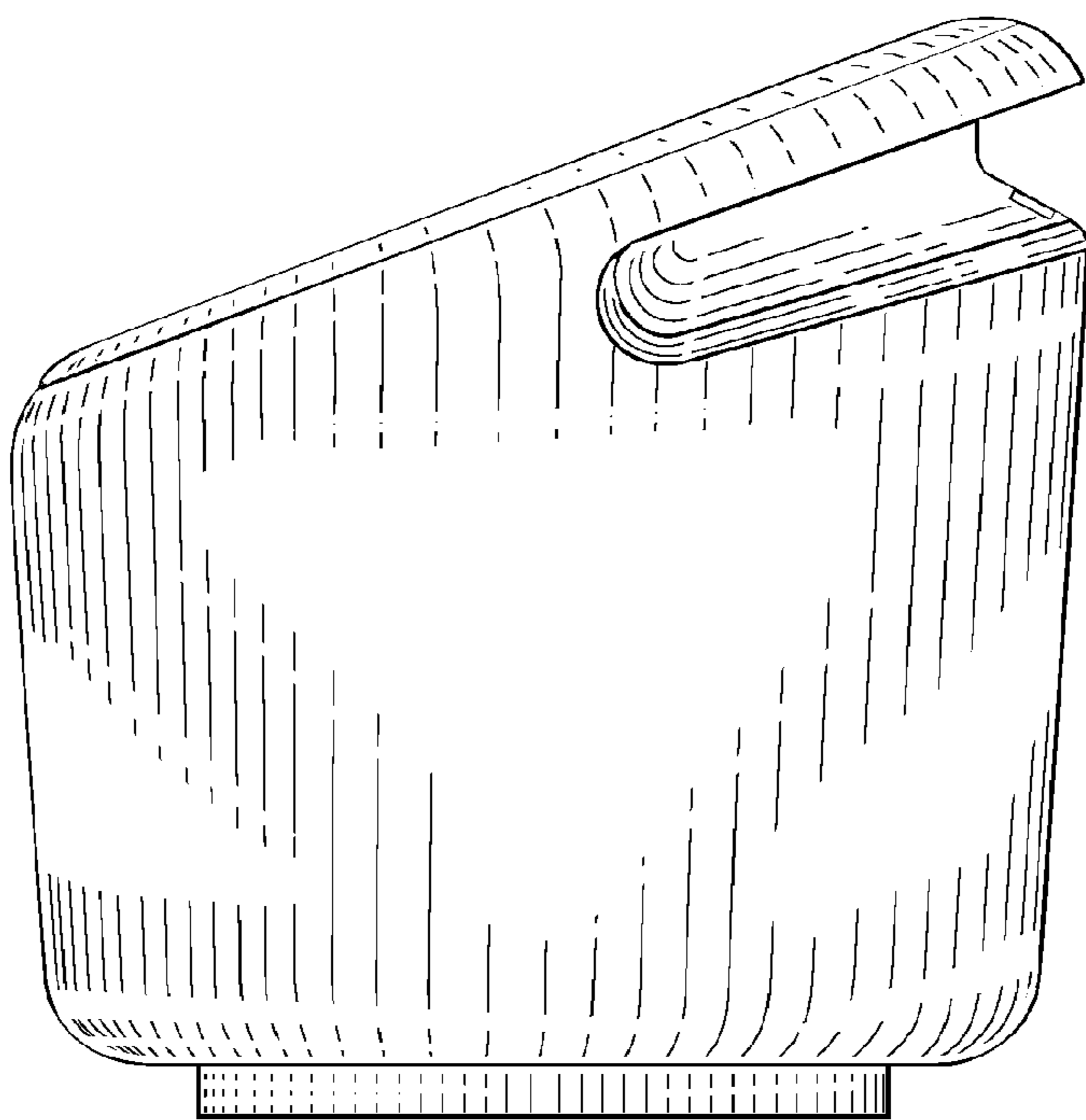


FIG. 5

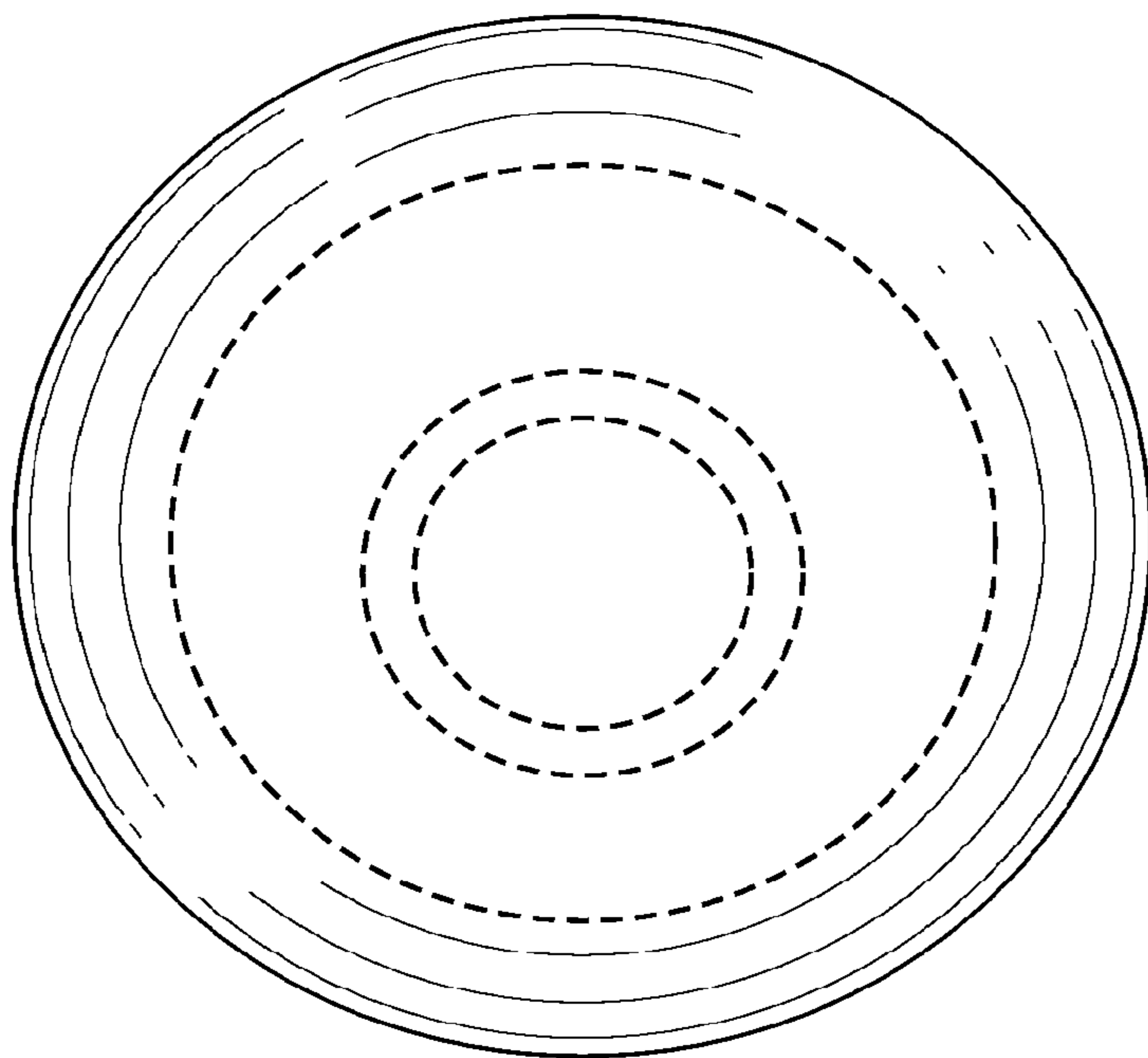


FIG. 6

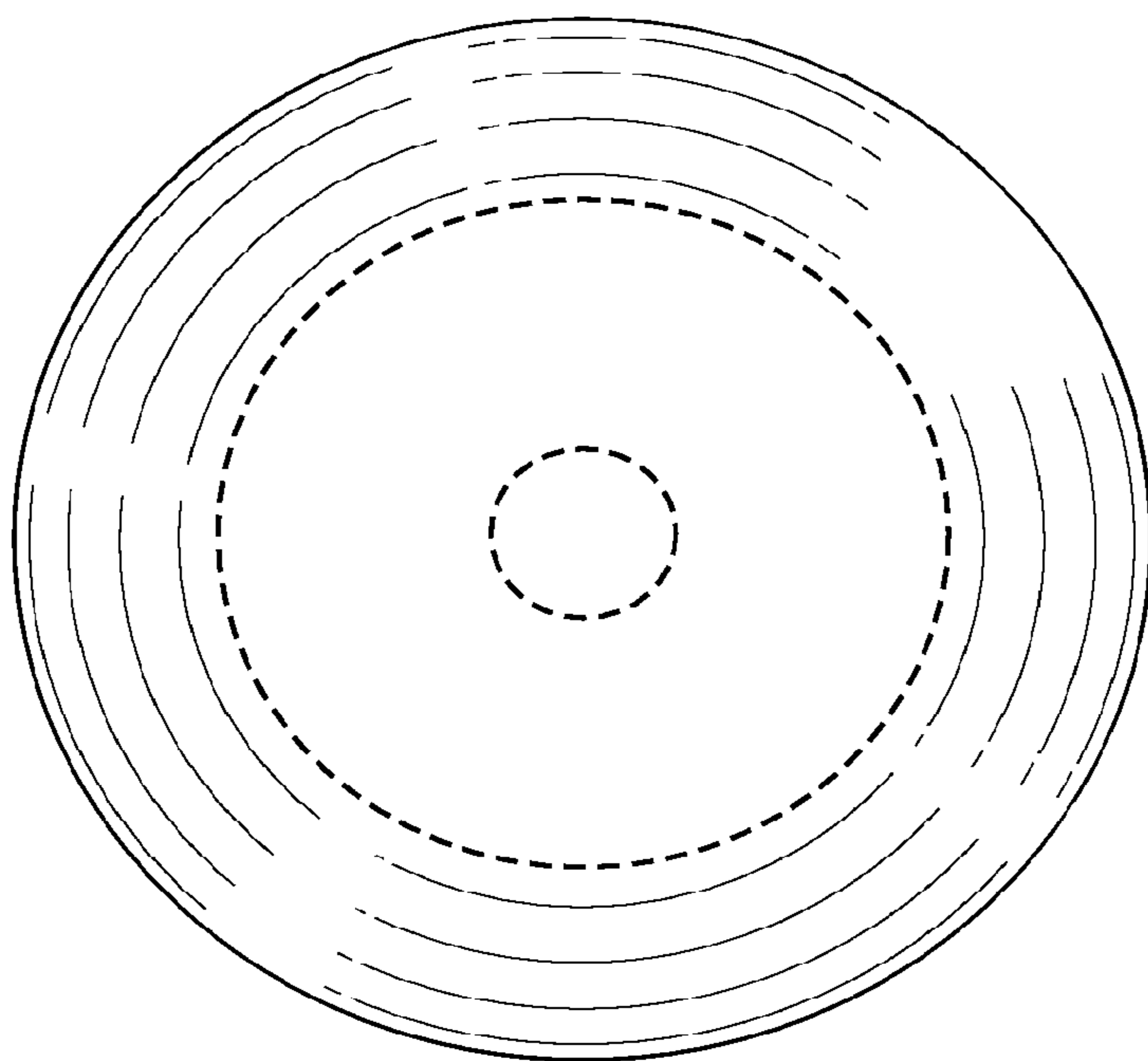


FIG. 7