



US00D573626S

(12) **United States Design Patent**
Nakajima

(10) **Patent No.:** **US D573,626 S**

(45) **Date of Patent:** **** Jul. 22, 2008**

(54) **PORTION OF A DIGITAL CAMERA**

(75) Inventor: **Kenzo Nakajima**, Hachioji (JP)

(73) Assignee: **Olympus Imaging Corp.**, Tokyo (JP)

(**) Term: **14 Years**

(21) Appl. No.: **29/292,101**

(22) Filed: **Sep. 26, 2007**

(30) **Foreign Application Priority Data**

Aug. 9, 2007 (JP) 2007-021712

(51) **LOC (8) Cl.** **16-05**

(52) **U.S. Cl.** **D16/219**

(58) **Field of Classification Search** D16/200–204,
D16/208, 212, 218, 219; 348/373–376; 358/909.1;
396/448, 535, 536–541

See application file for complete search history.

(56) **References Cited**

U.S. PATENT DOCUMENTS

- D425,536 S * 5/2000 Schelling et al. D16/219
- D482,714 S * 11/2003 Komatsu D16/219
- D518,499 S * 4/2006 Iue D16/219
- D522,036 S * 5/2006 Nagayama et al. D16/219
- D526,675 S * 8/2006 Nasu D16/219

- D546,862 S * 7/2007 Tainaka D16/219
- D559,297 S * 1/2008 Nakamura D16/219
- D561,807 S * 2/2008 Ogura et al. D16/219
- 2006/0139457 A1 * 6/2006 Liao 348/373

* cited by examiner

Primary Examiner—Adir Aronovich

(74) *Attorney, Agent, or Firm*—Straub and Pokotylo; John C. Pokotylo

(57) **CLAIM**

The ornamental design for a portion of a digital camera, as shown and described.

DESCRIPTION

FIG. 1 is a front, top and right side perspective view of a portion of a digital camera, showing my new design;

FIG. 2 is a front elevational view thereof;

FIG. 3 is a rear elevational view thereof;

FIG. 4 is a top plan view thereof;

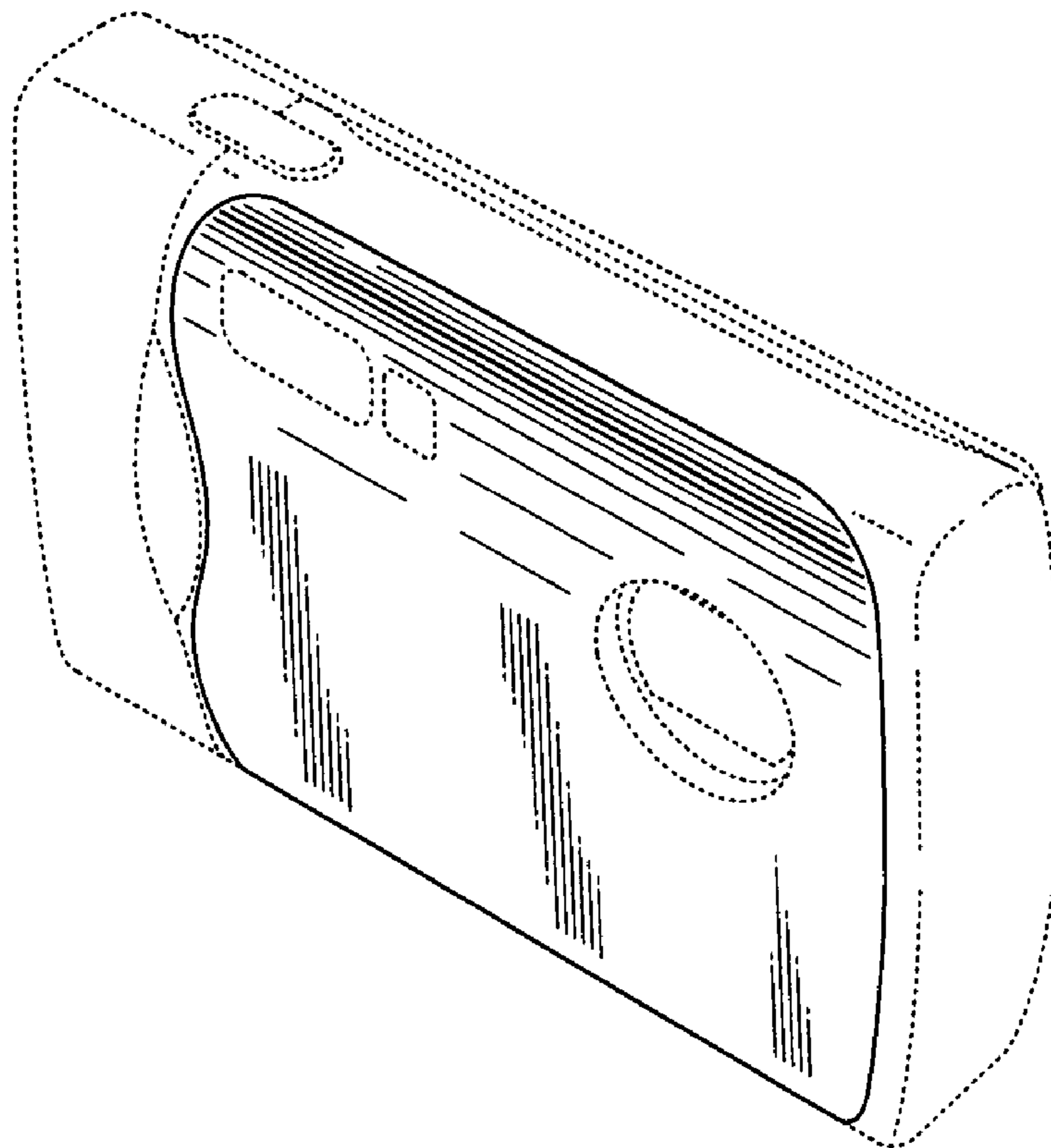
FIG. 5 is a bottom plan view thereof;

FIG. 6 is a left side elevational view thereof; and,

FIG. 7 is a right side elevational view thereof.

The broken lines are for illustrative purposes only and form no part of the claimed design.

1 Claim, 3 Drawing Sheets



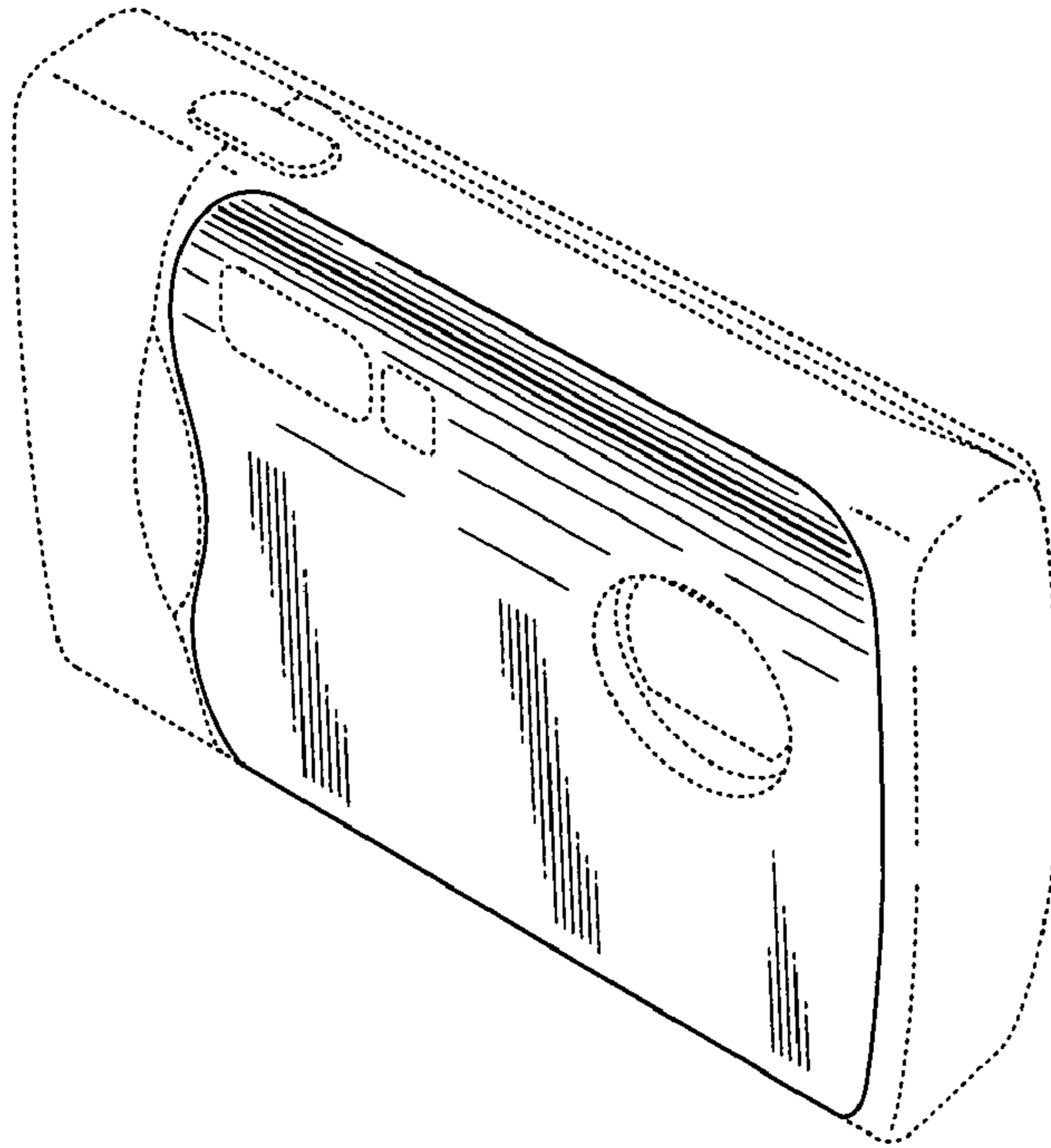


FIG. 1

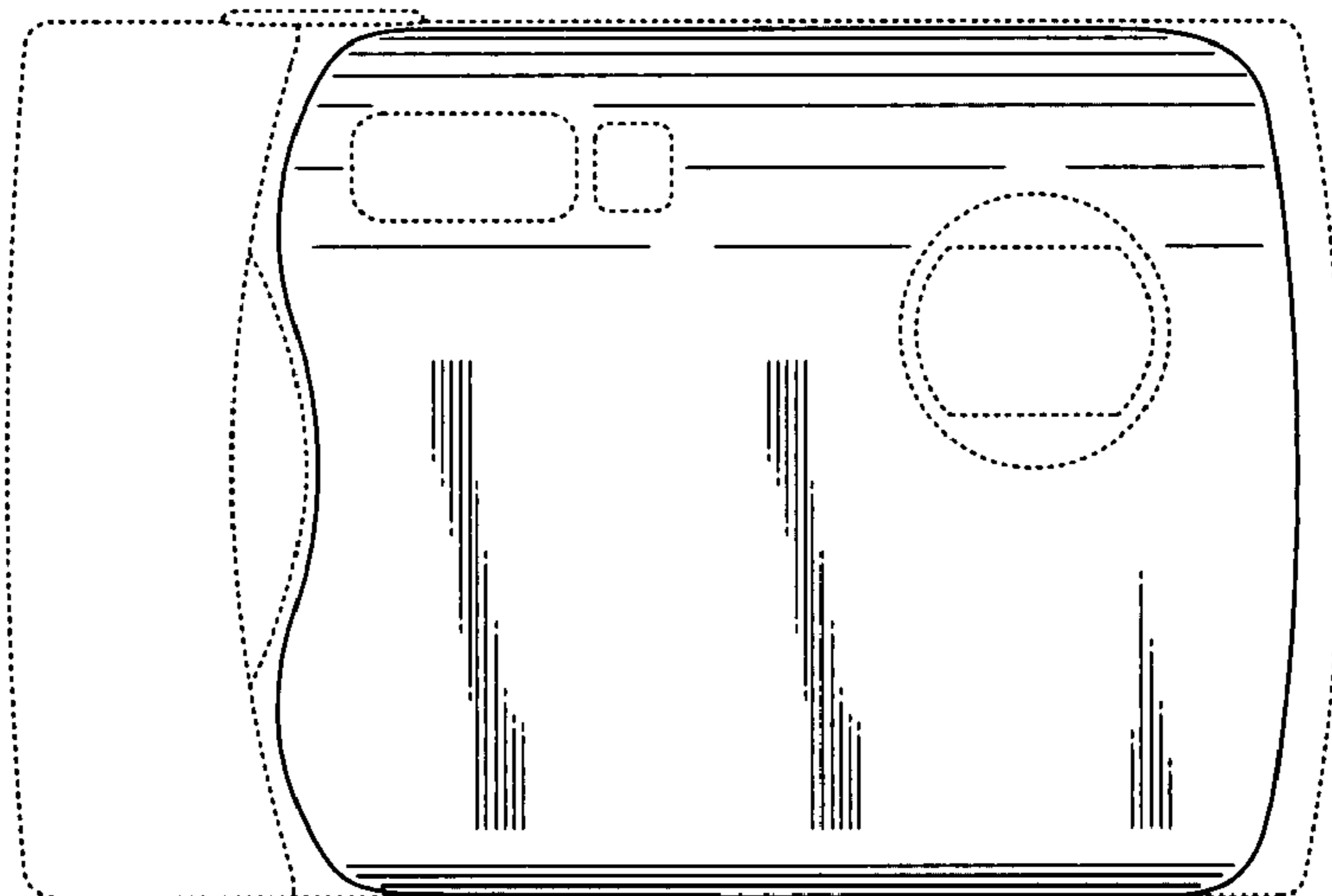


FIG. 2

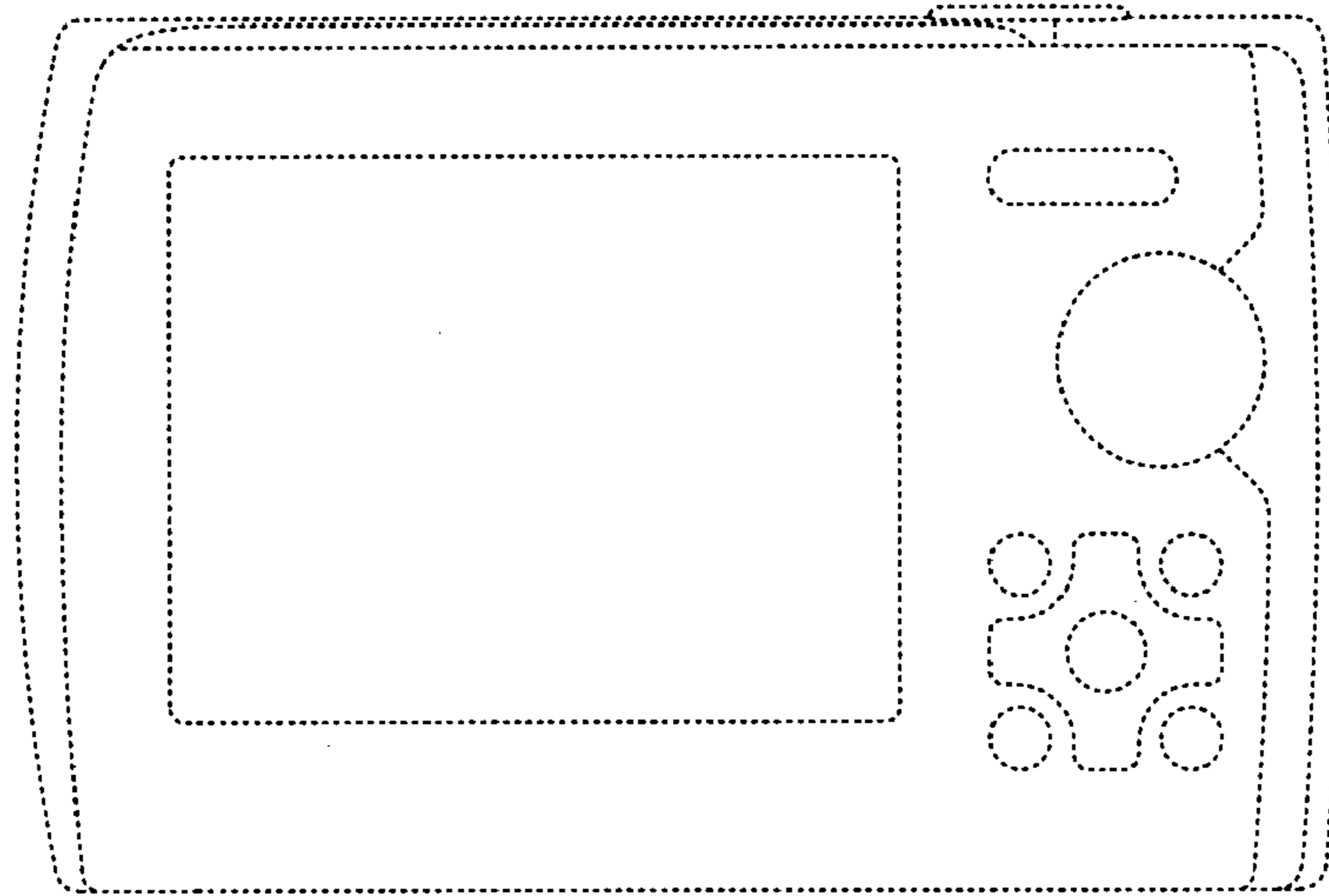


FIG.3

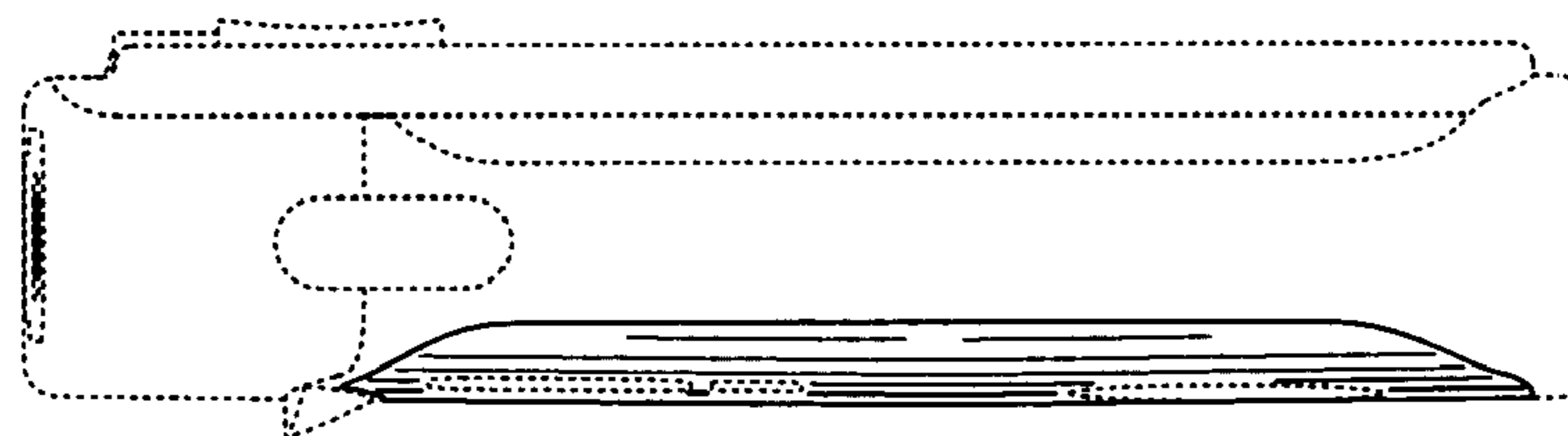


FIG.4

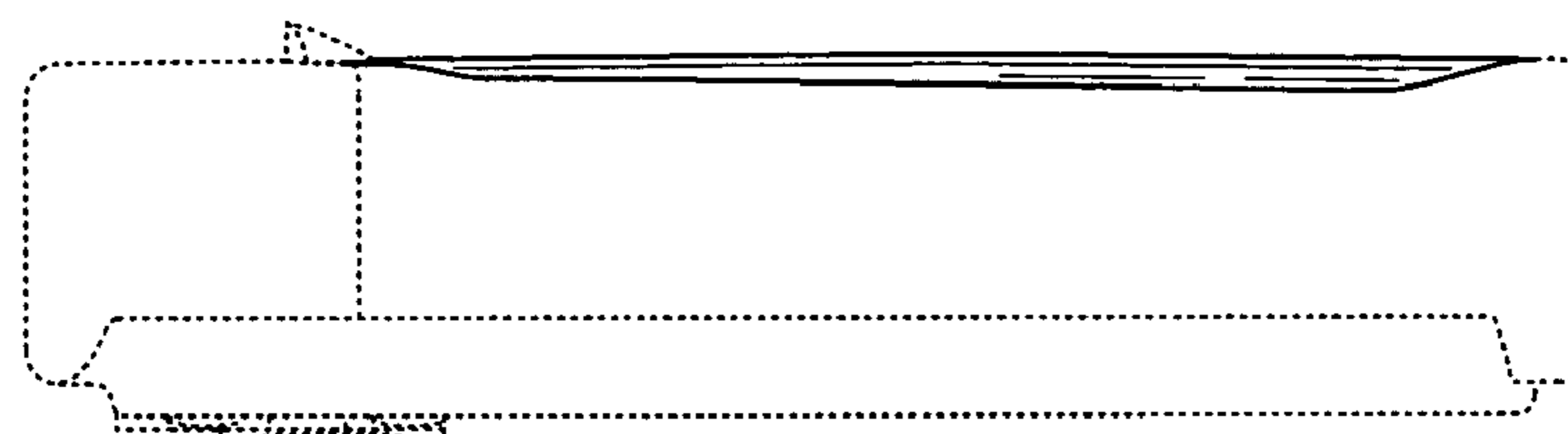


FIG.5

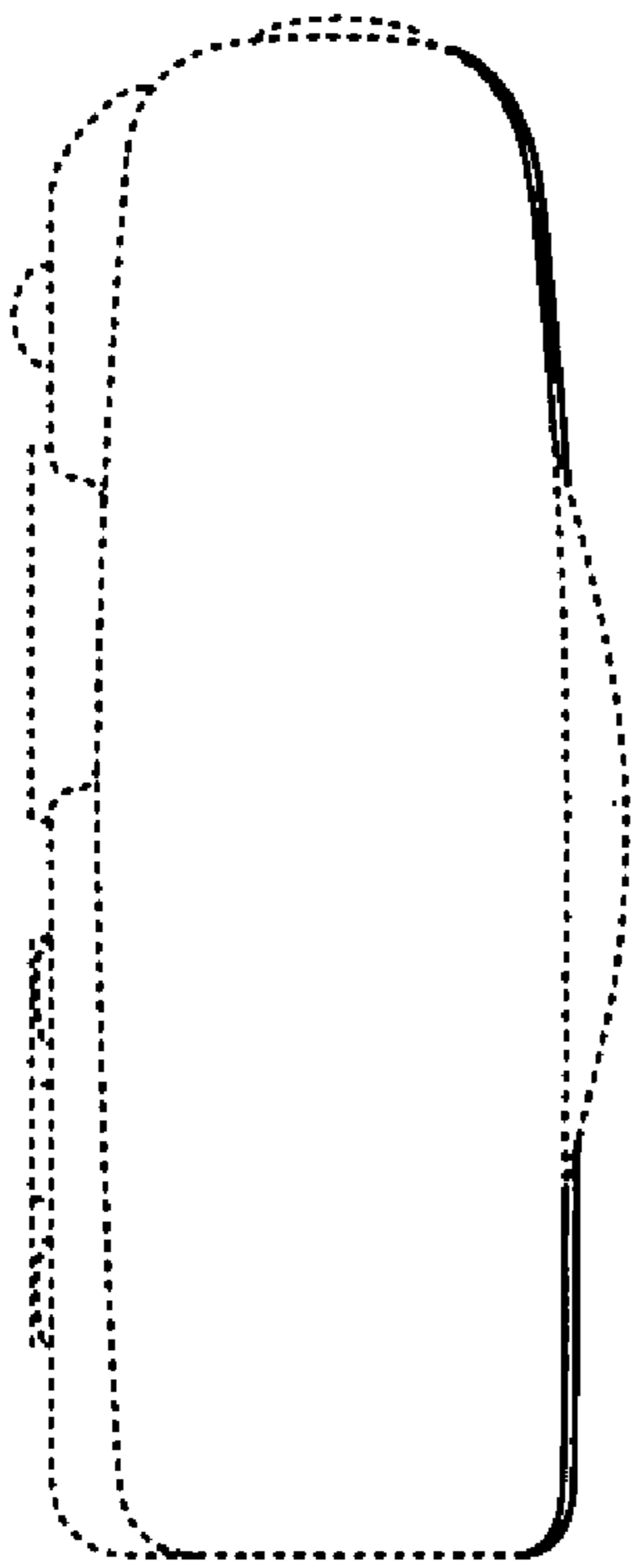


FIG. 6

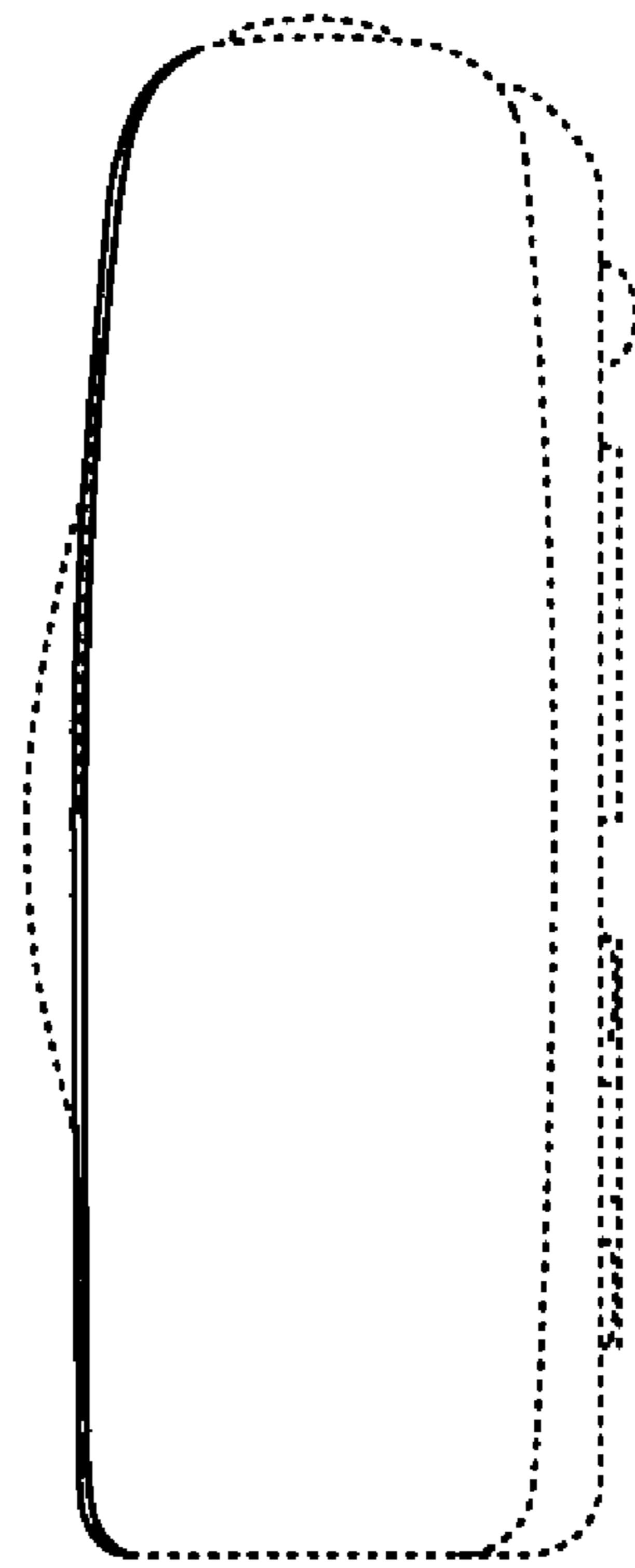


FIG. 7