



US00D573625S

(12) **United States Design Patent**
Watanabe

(10) **Patent No.:** **US D573,625 S**
(45) **Date of Patent:** **** Jul. 22, 2008**

(54) **CONVERSION LENS FOR SINGLE-LENS REFLEX CAMERA**

6,377,408 B1 * 4/2002 Shinohara 359/826

FOREIGN PATENT DOCUMENTS

(75) **Inventor:** **Akira Watanabe**, Saitama (JP)
(73) **Assignee:** **PENTAX Corporation**, Tokyo (JP)
(**) **Term:** **14 Years**

JP 906273 S 9/1994
JP 906273/1 S 9/2000
JP 906273/2 S 11/2000
JP 1105162 S 4/2001

* cited by examiner

(21) **Appl. No.:** **29/273,607**
(22) **Filed:** **Mar. 9, 2007**

Primary Examiner—Adir Aronovich
(74) *Attorney, Agent, or Firm*—Sughrue Mion, PLLC

(30) **Foreign Application Priority Data**
Sep. 12, 2006 (JP) 2006-024306

(57) **CLAIM**

The ornamental design for a conversion lens for single-lens reflex camera, as shown and described.

(51) **LOC (8) Cl.** **16-01**
(52) **U.S. Cl.** **D16/219; D16/134**
(58) **Field of Classification Search** D16/134,
D16/136, 216–219, 237; 359/704, 825–829;
396/354–359, 529–531, 534, 544
See application file for complete search history.

DESCRIPTION

FIG. 1 is a perspective view of the top, front and left side of a conversion lens for single-lens reflex camera showing my new design;

(56) **References Cited**

U.S. PATENT DOCUMENTS

D338,479 S * 8/1993 Takahashi D16/134
D398,315 S * 9/1998 Miyamoto D16/219
D416,926 S * 11/1999 Watanabe D16/219
D417,681 S * 12/1999 Hayashi D16/219
6,104,887 A * 8/2000 Hamasaki et al. 396/534
6,269,227 B1 * 7/2001 Hamasaki et al. 396/534
D446,232 S * 8/2001 Watanabe D16/134

FIG. 2 is a front elevational view thereof;

FIG. 3 is a rear elevational view thereof;

FIG. 4 is a left side elevational view thereof;

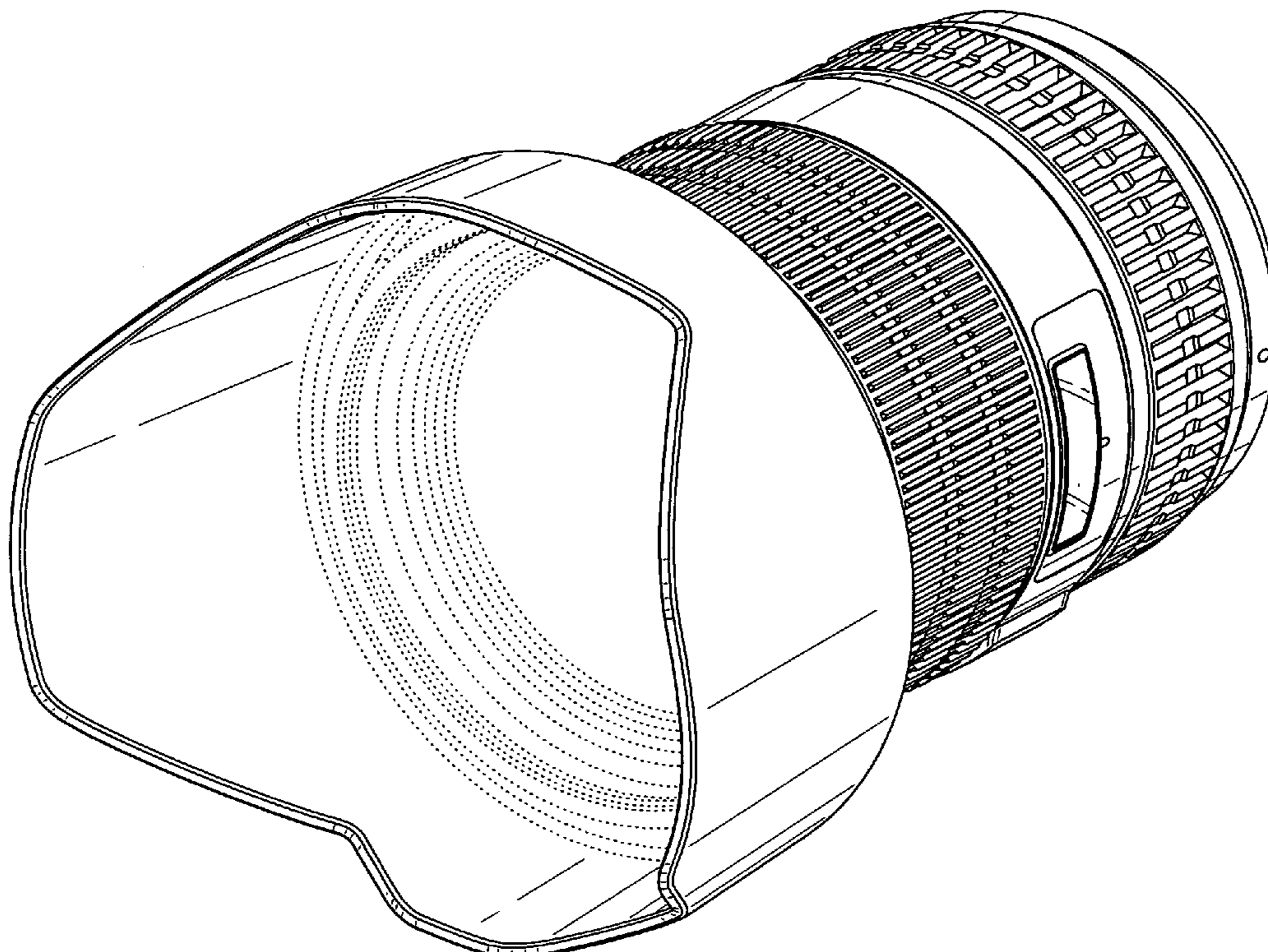
FIG. 5 is a right side elevational view thereof;

FIG. 6 is a top plan view thereof; and,

FIG. 7 is a bottom plan view thereof.

The portions shown in broken lines are for illustrative purposes only and form no part of the claimed design.

1 Claim, 7 Drawing Sheets



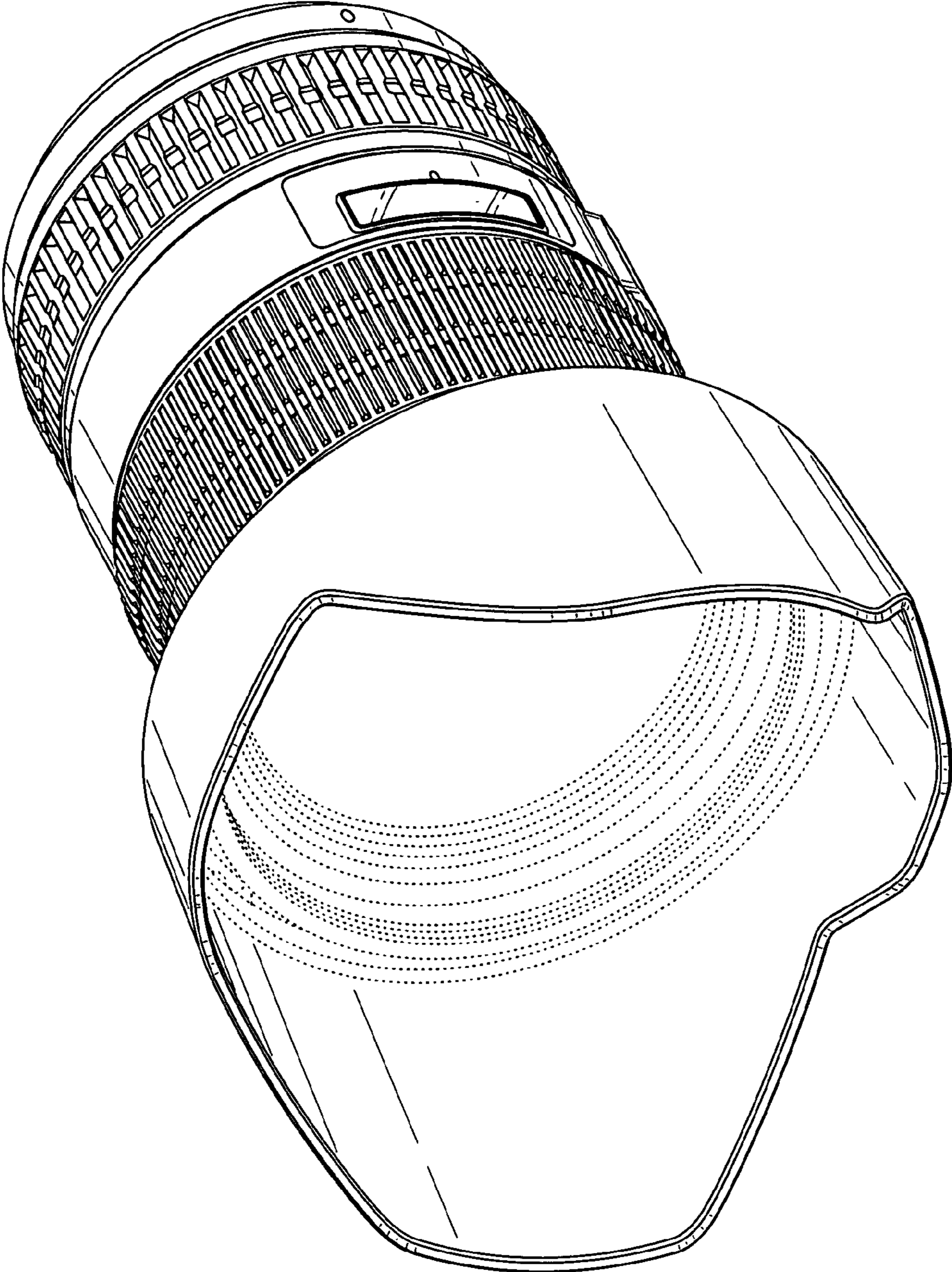


FIG. 1

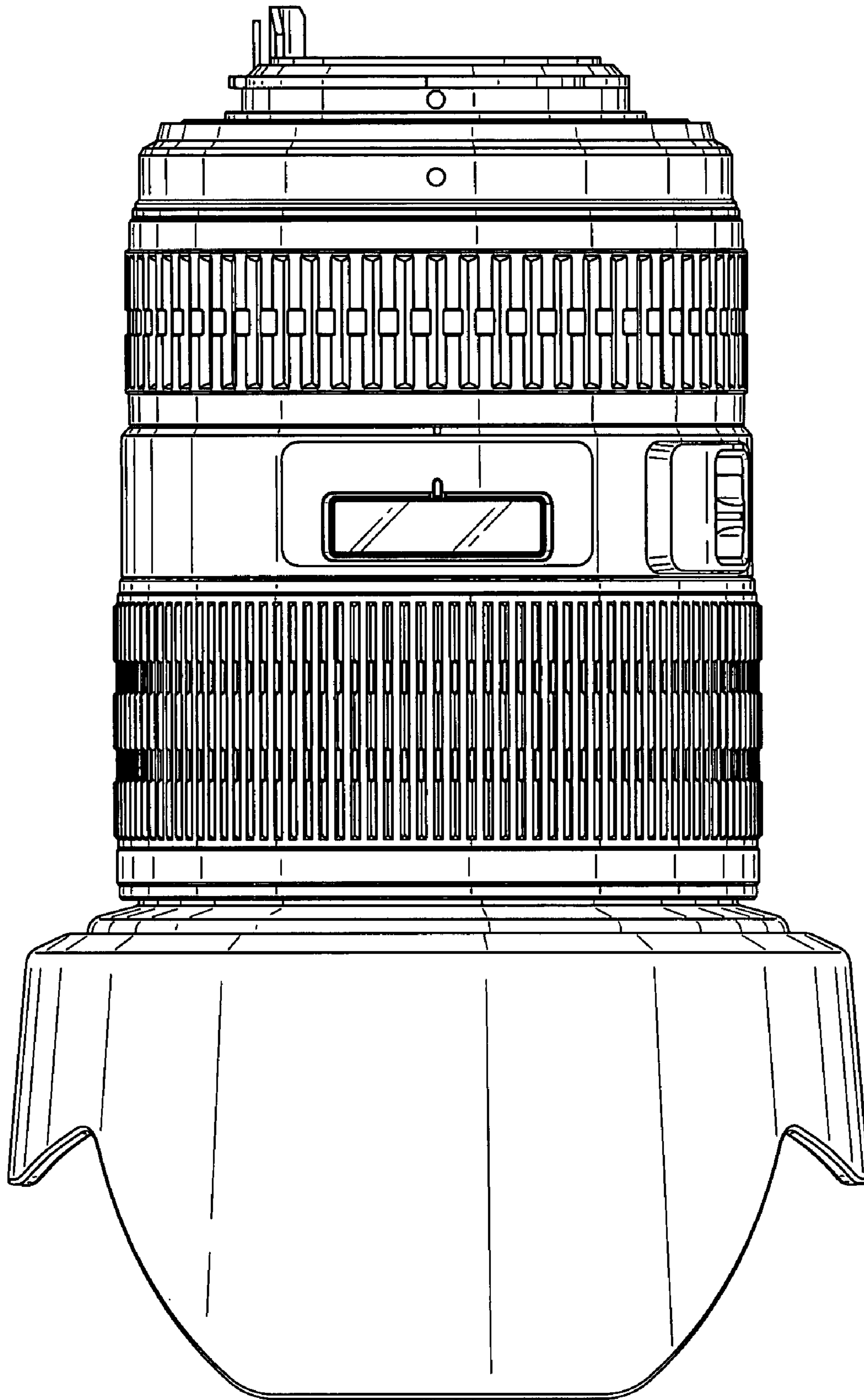


FIG. 2

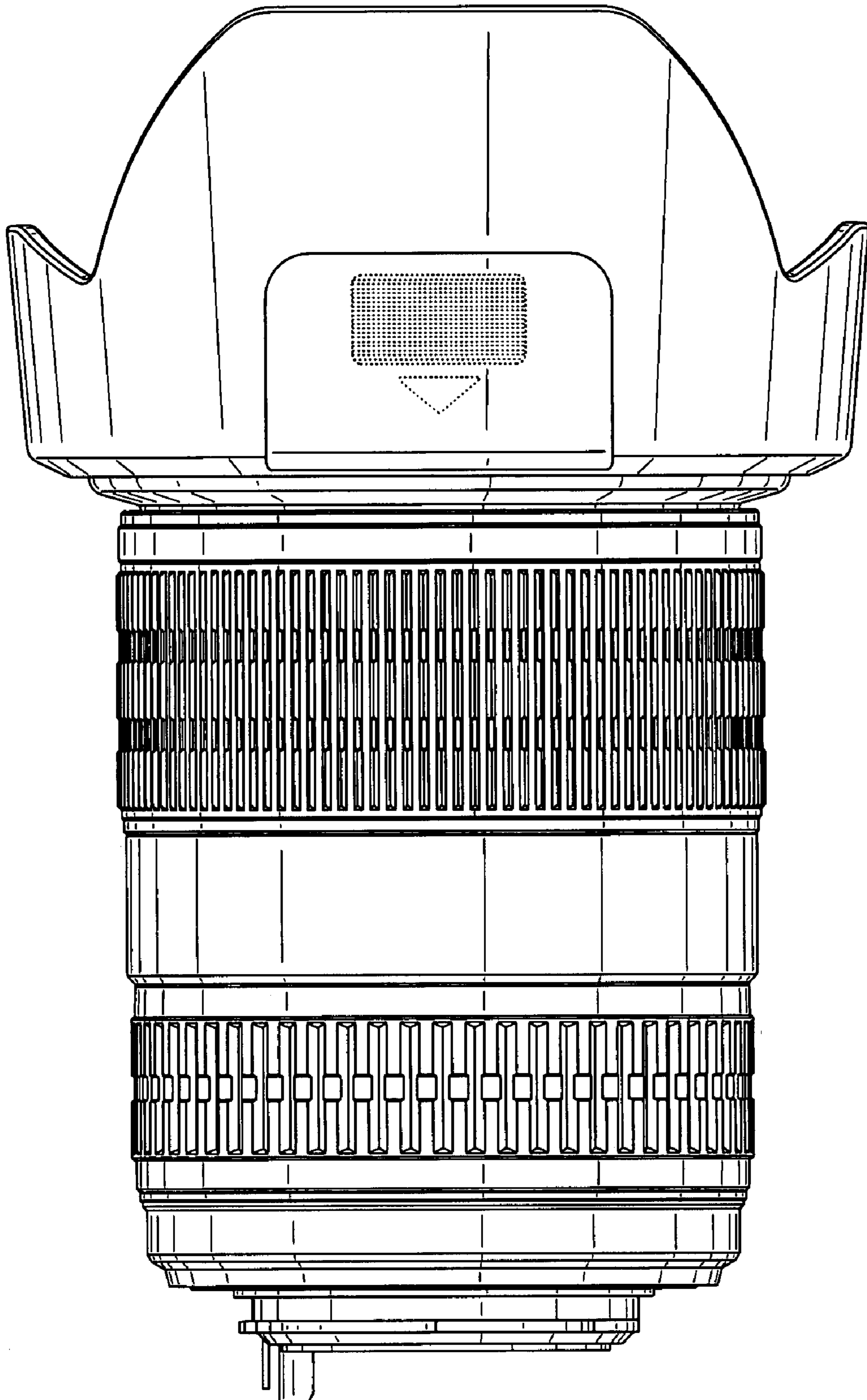


FIG. 3

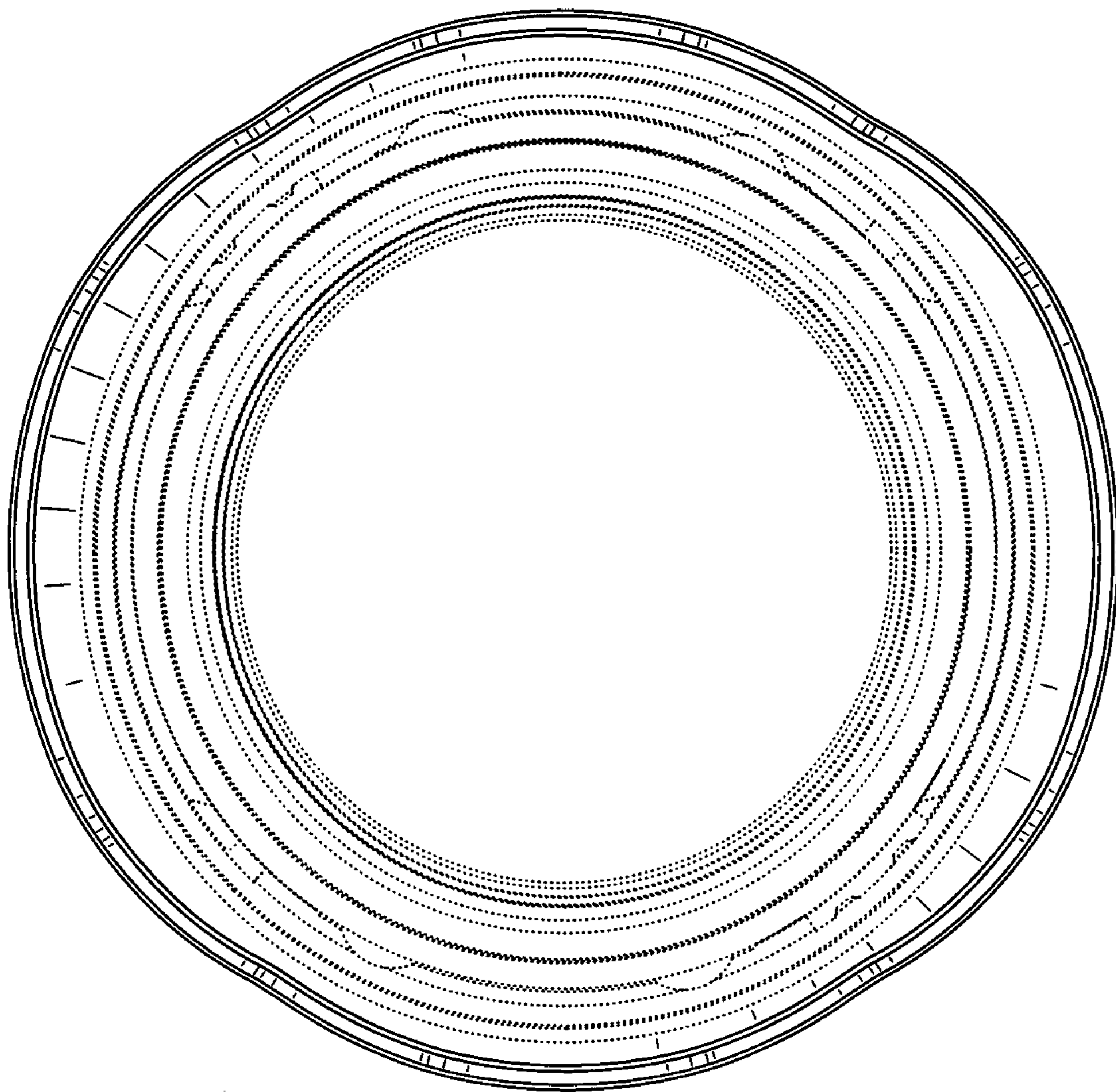


FIG. 4

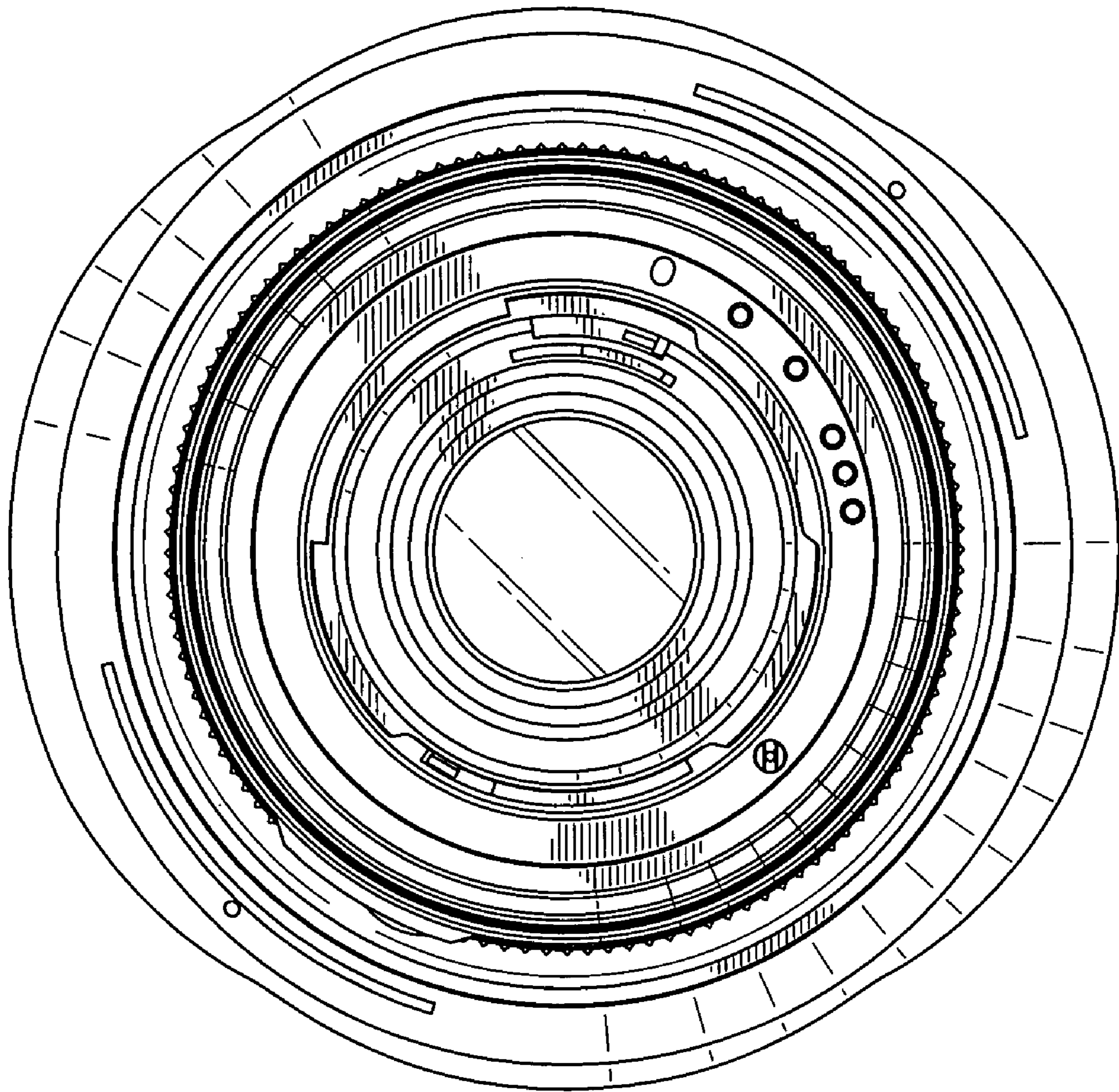


FIG. 5

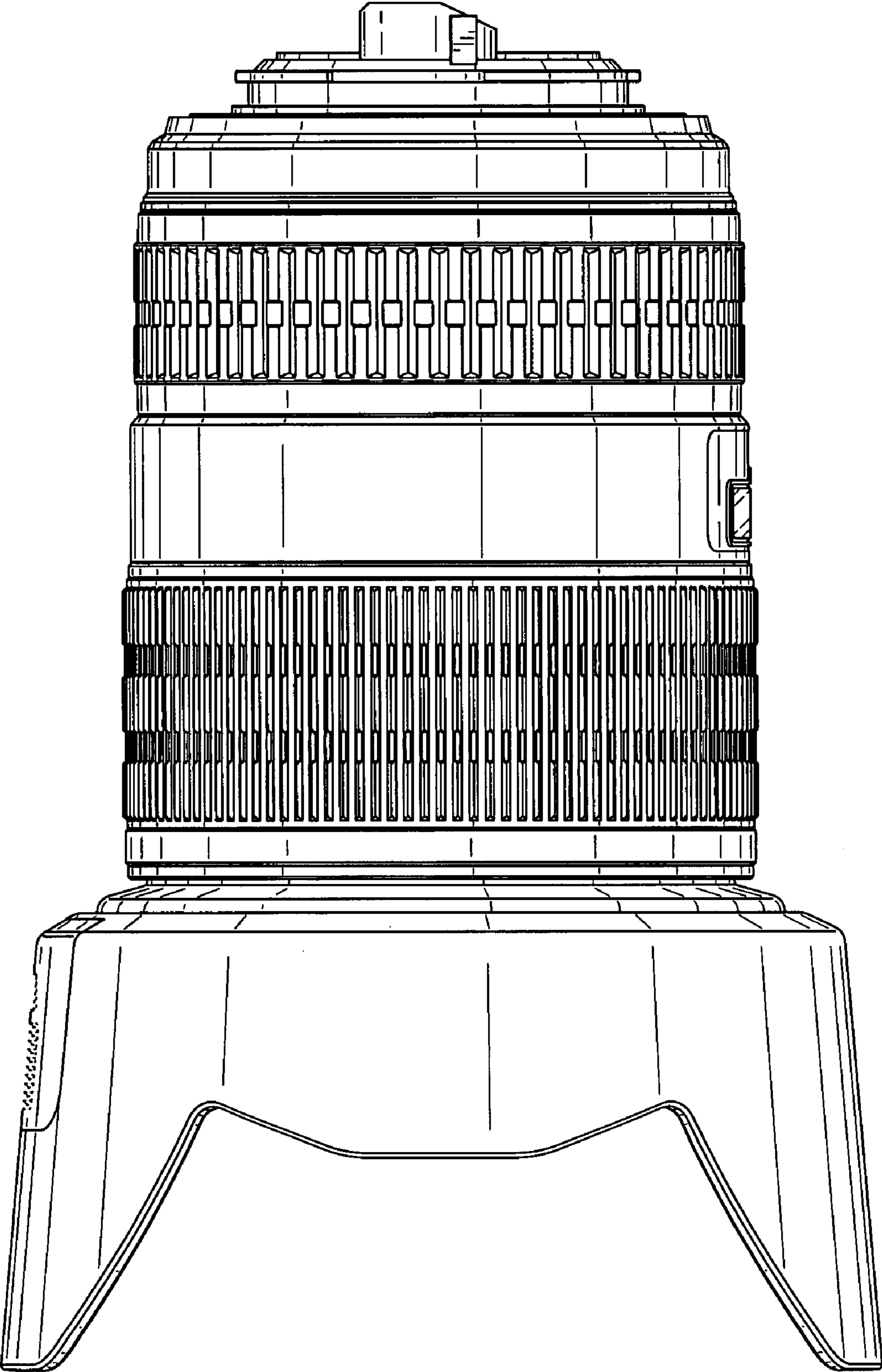


FIG. 6

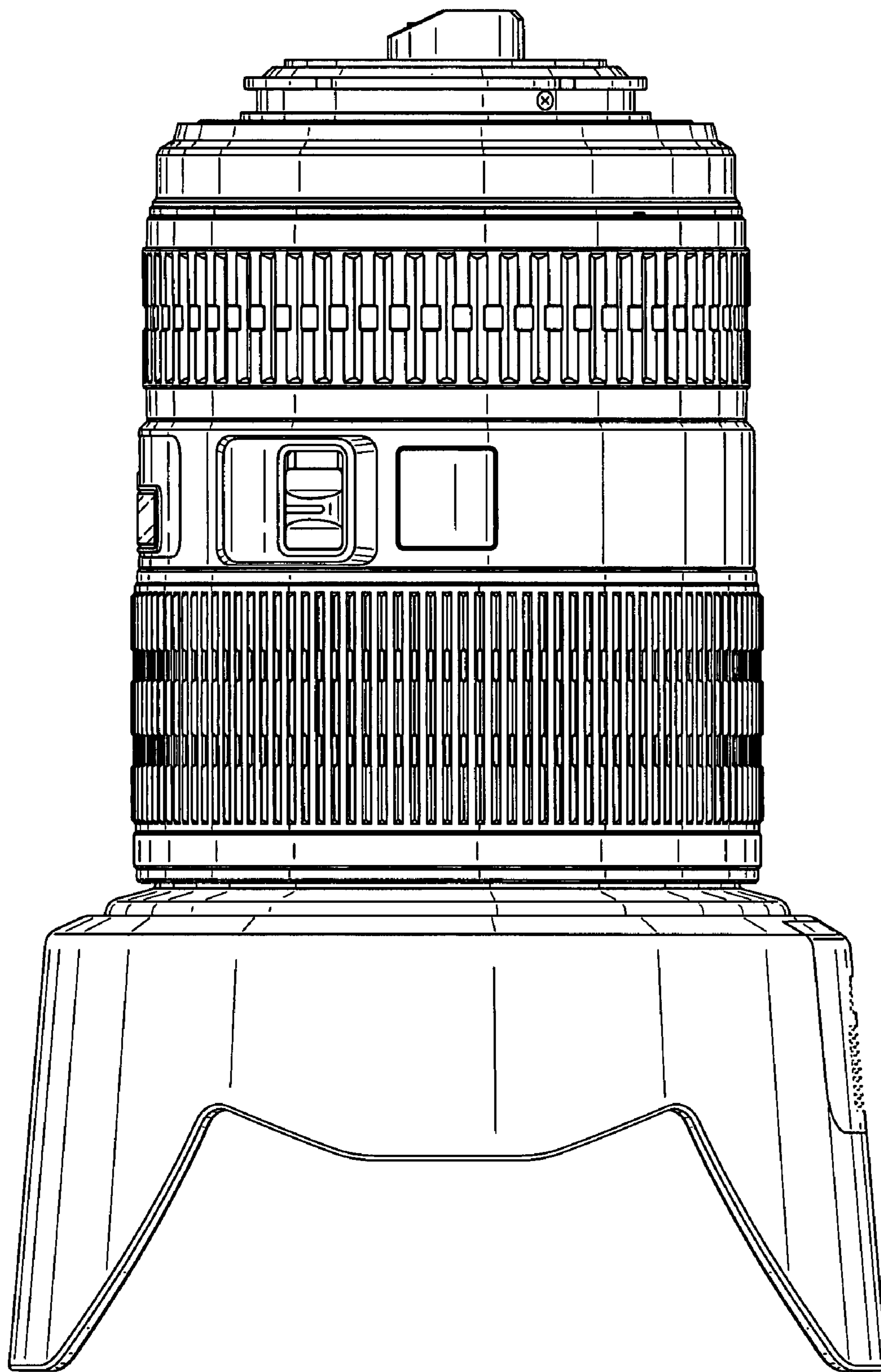


FIG. 7