

US00D573624S

(12) **United States Design Patent**  
**Yoshida**

(10) **Patent No.:** **US D573,624 S**  
(45) **Date of Patent:** **\*\* Jul. 22, 2008**

(54) **ELECTRONIC CAMERA**

(75) Inventor: **Koji Yoshida**, Tokyo (JP)

(73) Assignee: **Fujifilm Corporation**, Tokyo (JP)

(\*\*) Term: **14 Years**

(21) Appl. No.: **29/262,729**

(22) Filed: **Jul. 11, 2006**

(30) **Foreign Application Priority Data**

Jan. 20, 2006 (JP) ..... 2006-001103

(51) **LOC (8) Cl.** ..... **16-05**

(52) **U.S. Cl.** ..... **D16/219; D16/216**

(58) **Field of Classification Search** ..... D16/200–206,  
D16/208, 218–219; D8/349, 354; D12/223;  
D25/119, 122, 124, 126; 348/200, 300, 373–376;  
396/535–541, 428, 433, 176; 358/906, 909.1  
See application file for complete search history.

(56) **References Cited**

**U.S. PATENT DOCUMENTS**

- D438,230 S \* 2/2001 Hamamura ..... D16/219
- D442,614 S \* 5/2001 Sumita ..... D16/202
- D463,810 S \* 10/2002 Suzuki et al. .... D16/202
- D496,675 S \* 9/2004 Fujii ..... D16/202
- D524,344 S 7/2006 Imai
- D524,348 S \* 7/2006 Nagayama et al. .... D16/219
- D532,811 S \* 11/2006 Horikiri ..... D16/219
- D532,812 S \* 11/2006 Horikiri ..... D16/219

- D534,198 S \* 12/2006 Horikiri ..... D16/219
- D543,227 S \* 5/2007 Hayashi ..... D16/219
- D560,236 S \* 1/2008 Yoshida ..... D16/202
- D561,221 S \* 2/2008 Ogura et al. .... D16/212
- D561,226 S \* 2/2008 Yoshida ..... D16/219
- D561,227 S \* 2/2008 Yoshida ..... D16/219

\* cited by examiner

*Primary Examiner*—Ian Simmons

*Assistant Examiner*—Wan Laymon

(74) *Attorney, Agent, or Firm*—Young & Thompson

(57) **CLAIM**

The ornamental design for an electronic camera, as shown and described.

**DESCRIPTION**

FIG. 1 is a top, front and side perspective view of an electronic camera showing my new design;

FIG. 2 is a front elevational view thereof;

FIG. 3 is a rear elevational view thereof;

FIG. 4 is a top plan view thereof;

FIG. 5 is a side elevational view thereof from the left of FIG. 2; and,

FIG. 6 is a side elevational view thereof from the right of FIG. 2.

The material shown in broken line illustrates the environment of the present invention.

**1 Claim, 3 Drawing Sheets**

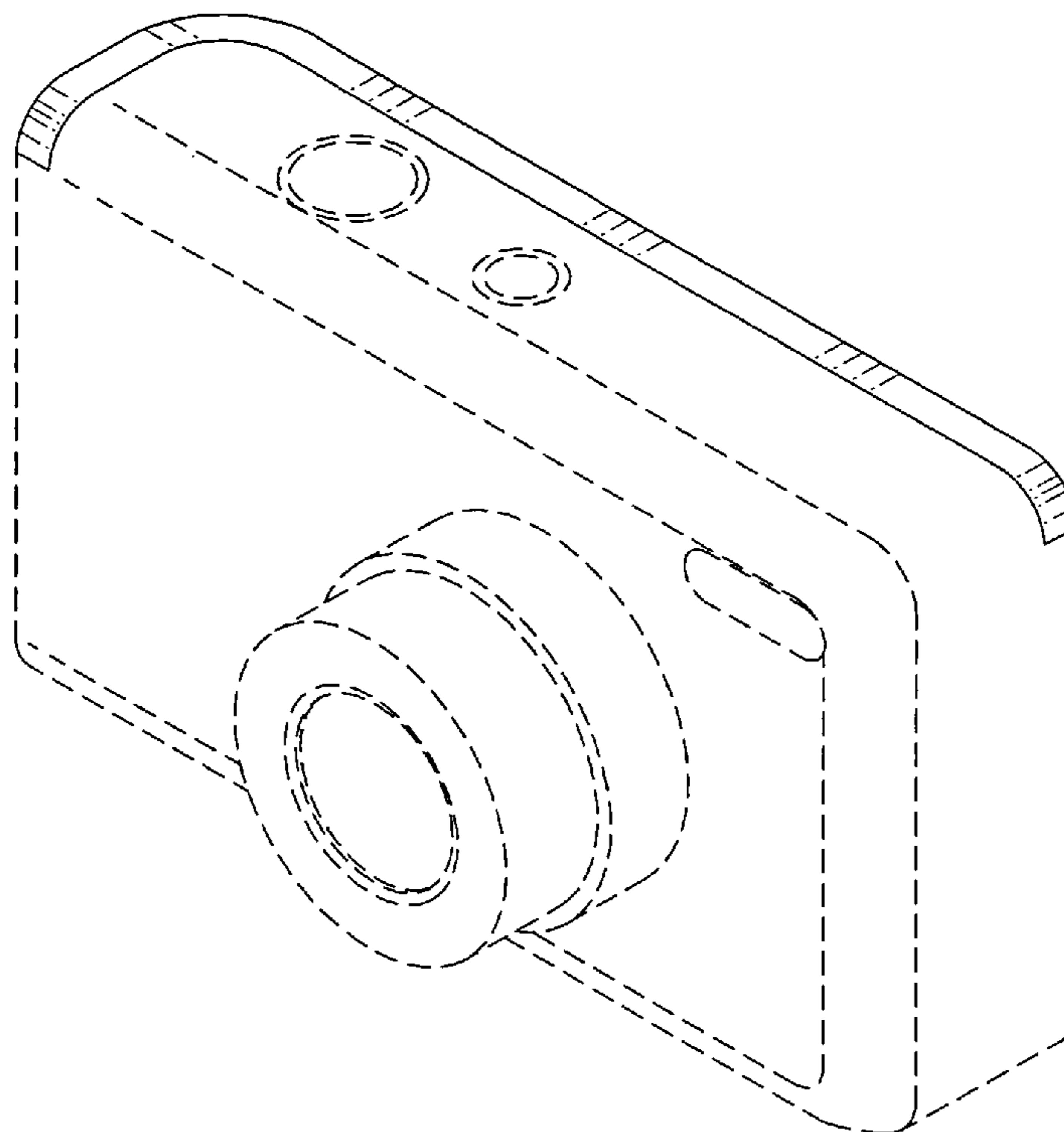


FIG. 1

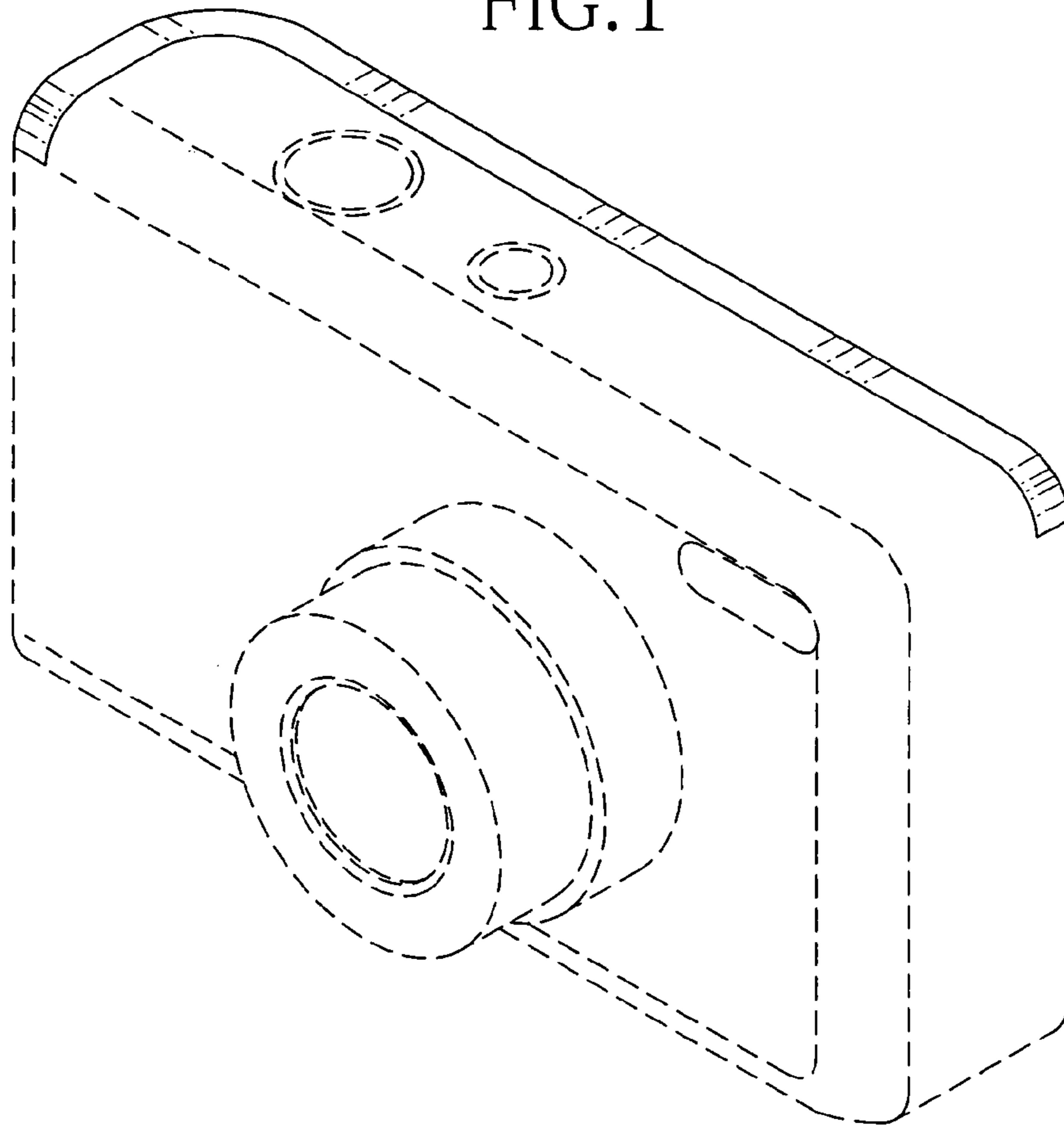


FIG. 2

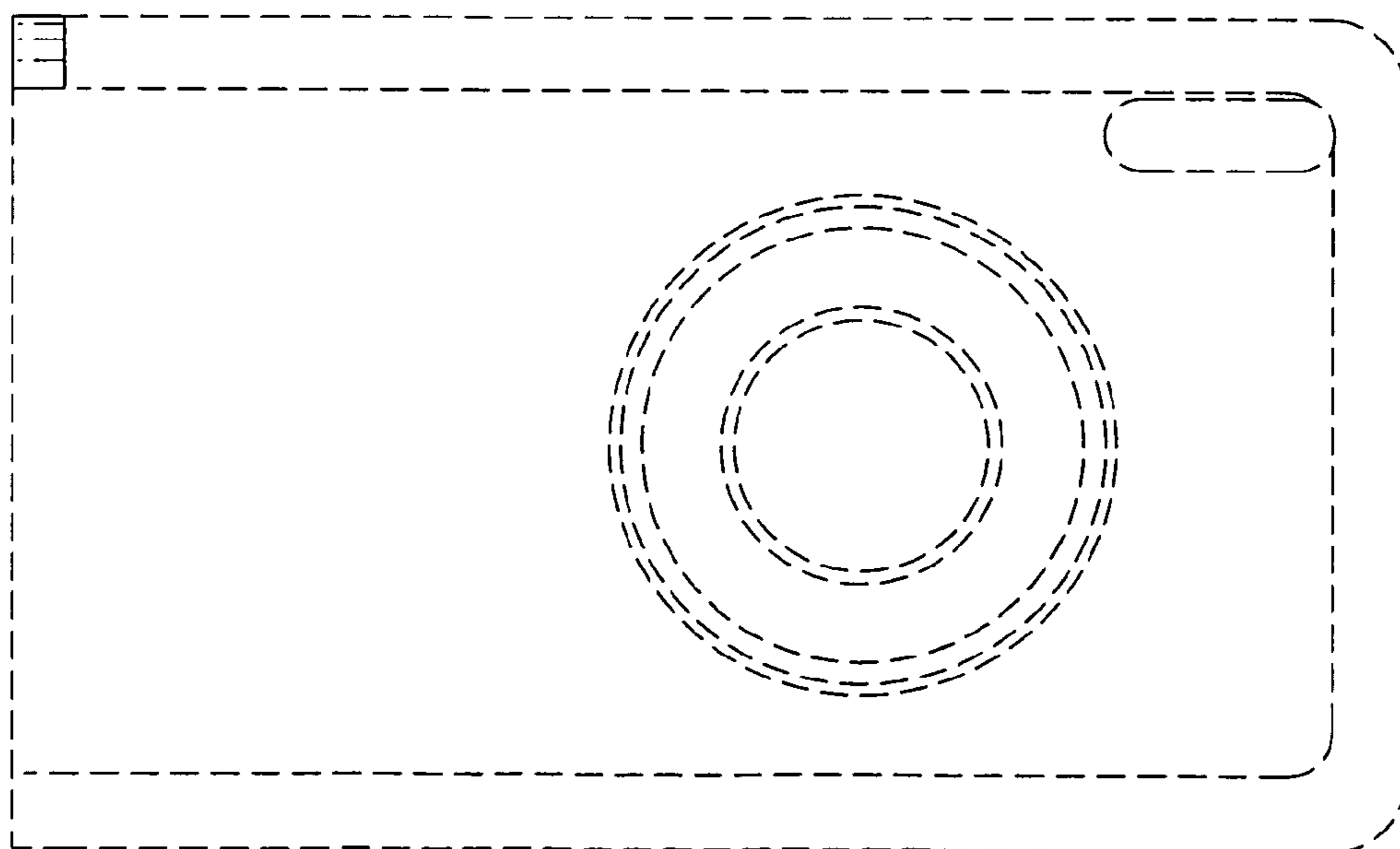


FIG. 3

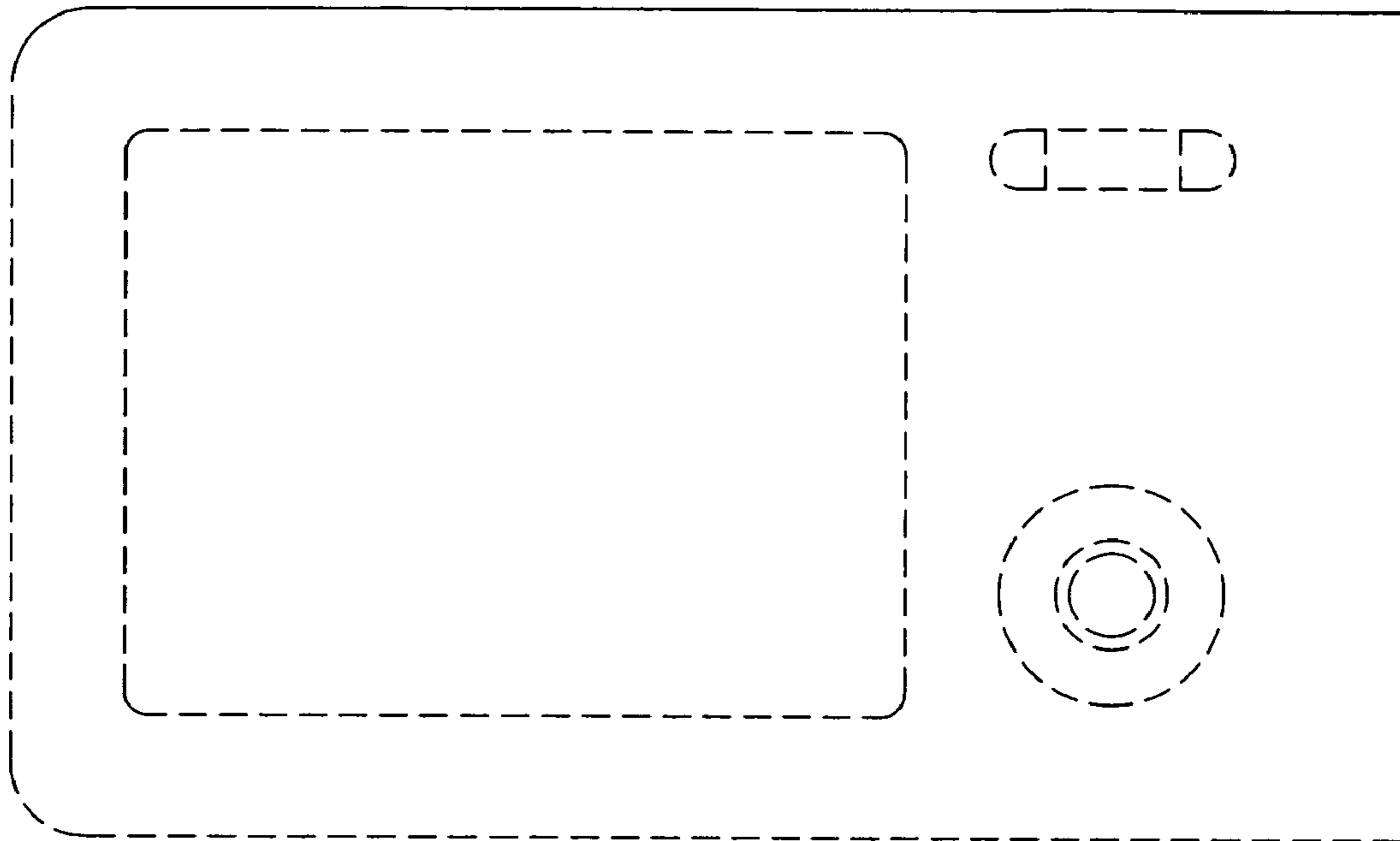


FIG. 4

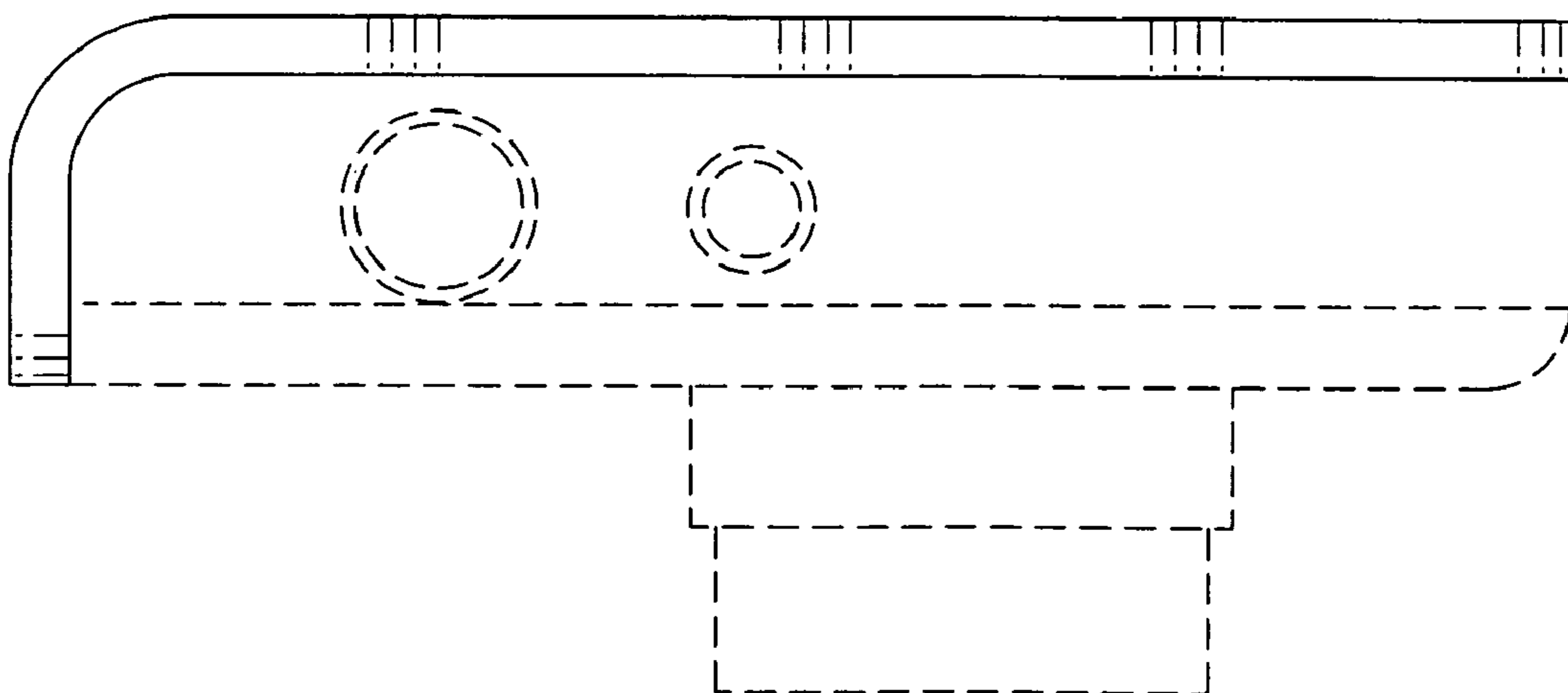


FIG. 5

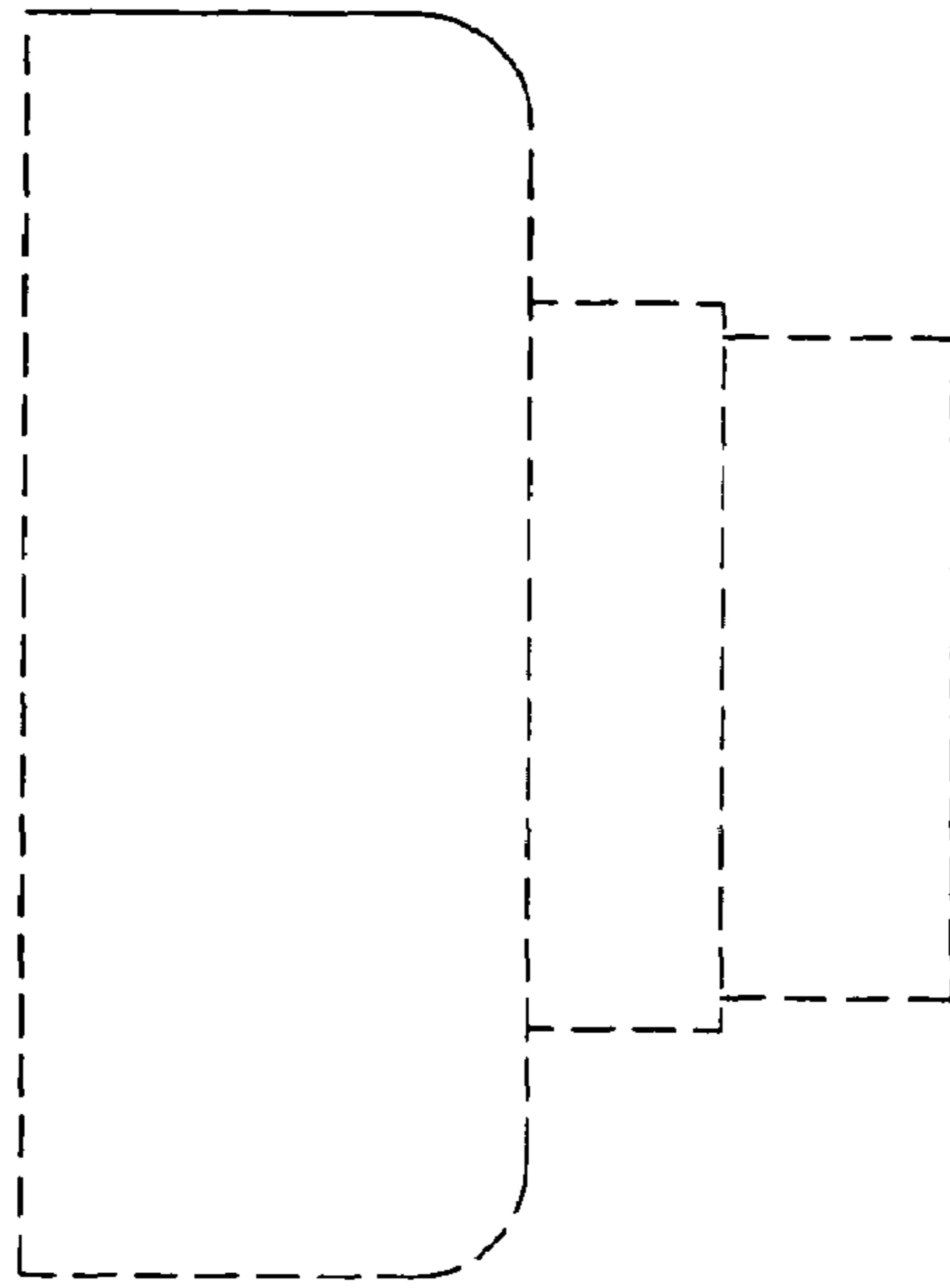


FIG. 6

