



US00D573623S

(12) **United States Design Patent**
Nakajima

(10) **Patent No.:** **US D573,623 S**
(45) **Date of Patent:** **** Jul. 22, 2008**

(54) **DIGITAL CAMERA**

(75) Inventor: **Kenzo Nakajima**, Hachioji (JP)

(73) Assignee: **Olympus Imaging Corp.**, Tokyo (JP)

(**) Term: **14 Years**

(21) Appl. No.: **29/292,106**

(22) Filed: **Sep. 26, 2007**

(30) **Foreign Application Priority Data**

Aug. 9, 2007 (JP) 2007-021709

(51) **LOC (8) Cl.** **16-01**

(52) **U.S. Cl.** **D16/202; D16/218**

(58) **Field of Classification Search** D16/200–204,
D16/218, 219; 348/373–376; 358/909.1;
396/535–541

See application file for complete search history.

(56) **References Cited**

U.S. PATENT DOCUMENTS

D484,902 S * 1/2004 Baba D16/202
D496,678 S * 9/2004 Kawase D16/218
D508,711 S * 8/2005 Suzuki D16/218

D521,043 S * 5/2006 Takagi D16/218
D522,555 S * 6/2006 Choi D16/202
D542,323 S * 5/2007 Takagi D16/218
D560,700 S * 1/2008 Naito et al. D16/202

* cited by examiner

Primary Examiner—Adir Aronovich

(74) *Attorney, Agent, or Firm*—Straub and Pokotylo; John C. Pokotylo

(57) **CLAIM**

The ornamental design for a digital camera, as shown and described.

DESCRIPTION

FIG. 1 is a front, top and right side perspective view of a digital camera, showing my new design;

FIG. 2 is a front elevational view thereof;

FIG. 3 is a rear elevational view thereof;

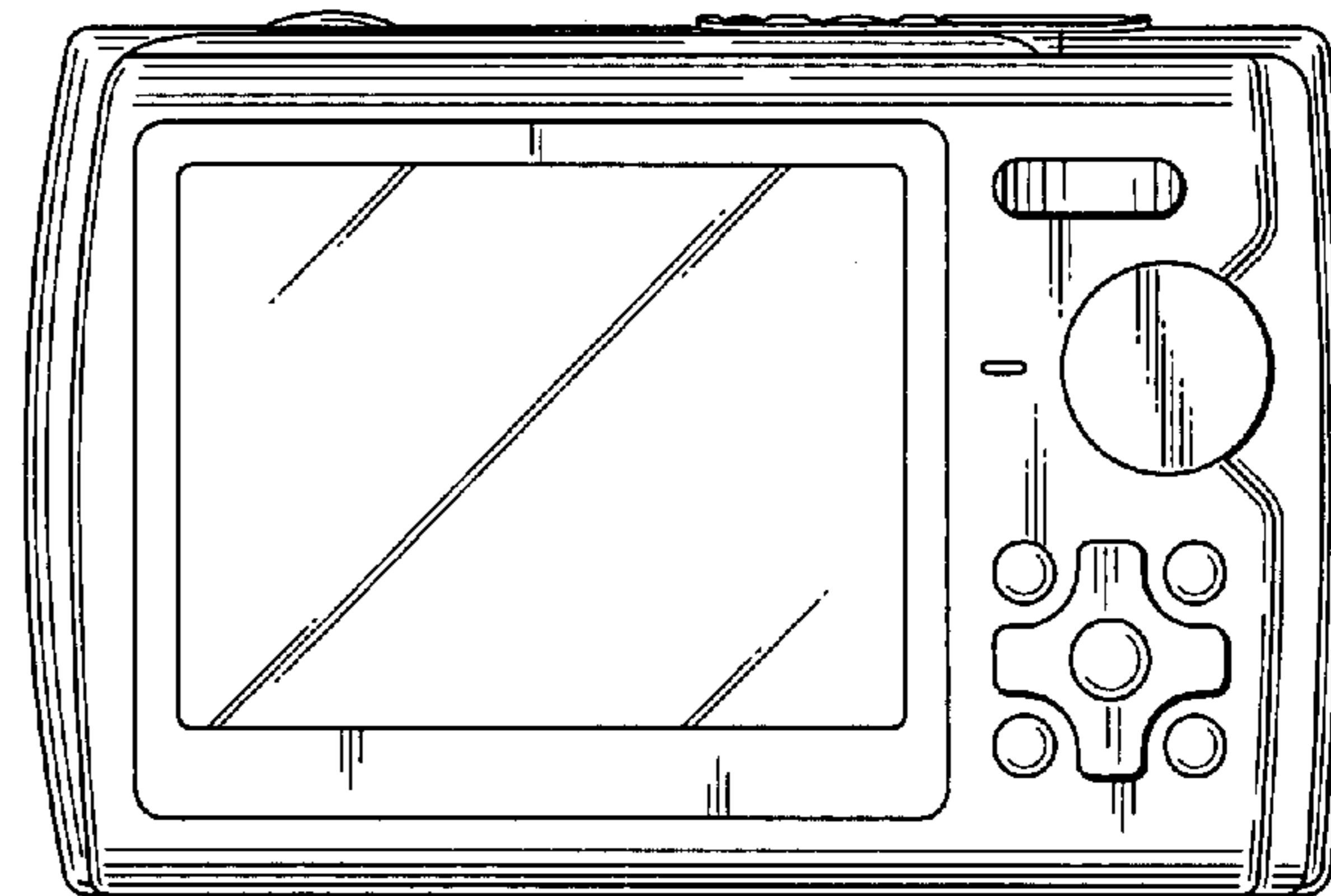
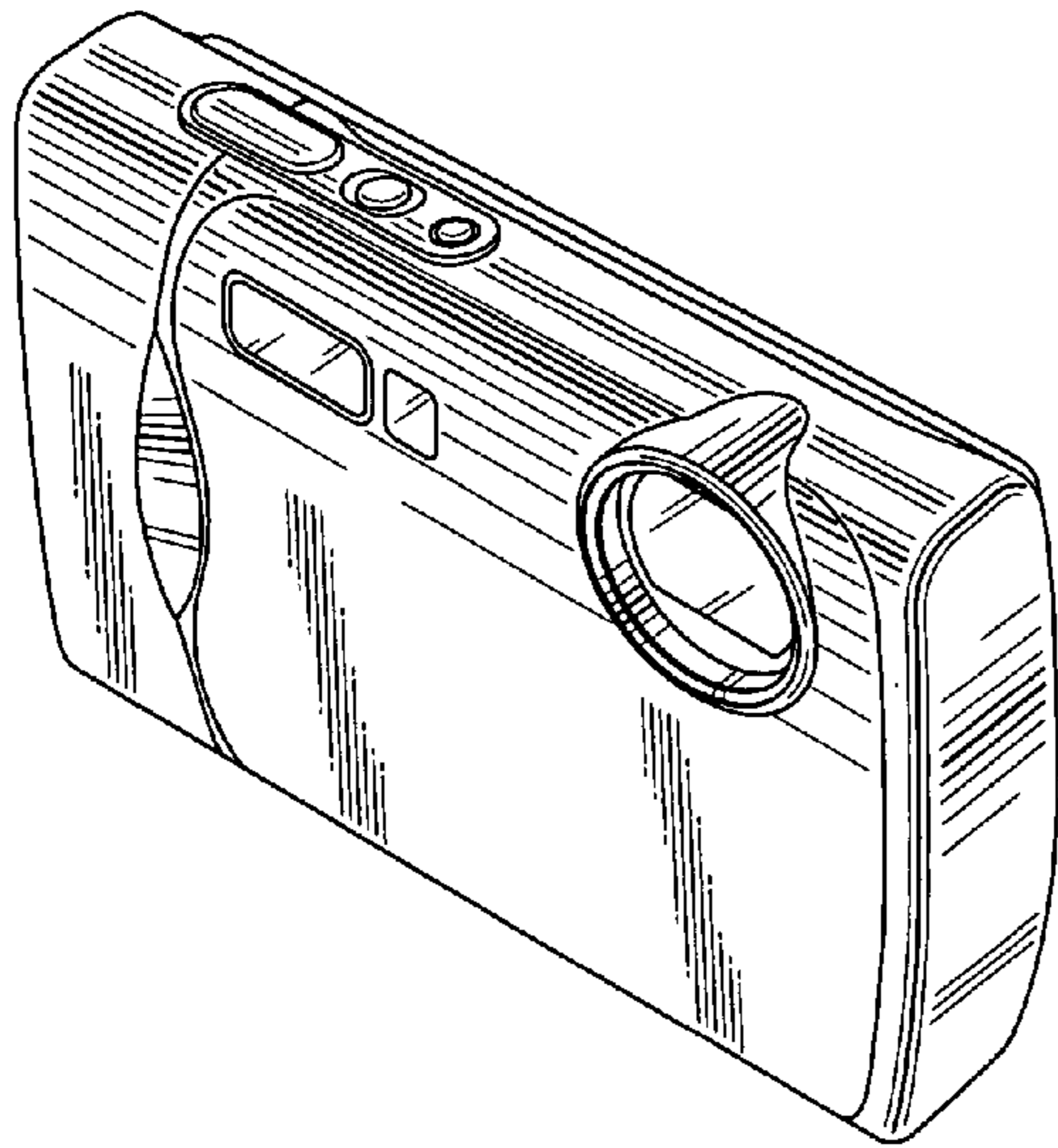
FIG. 4 is a top plan view thereof;

FIG. 5 is a bottom plan view thereof;

FIG. 6 is a left side elevational view thereof; and,

FIG. 7 is a right side elevational view thereof.

1 Claim, 3 Drawing Sheets



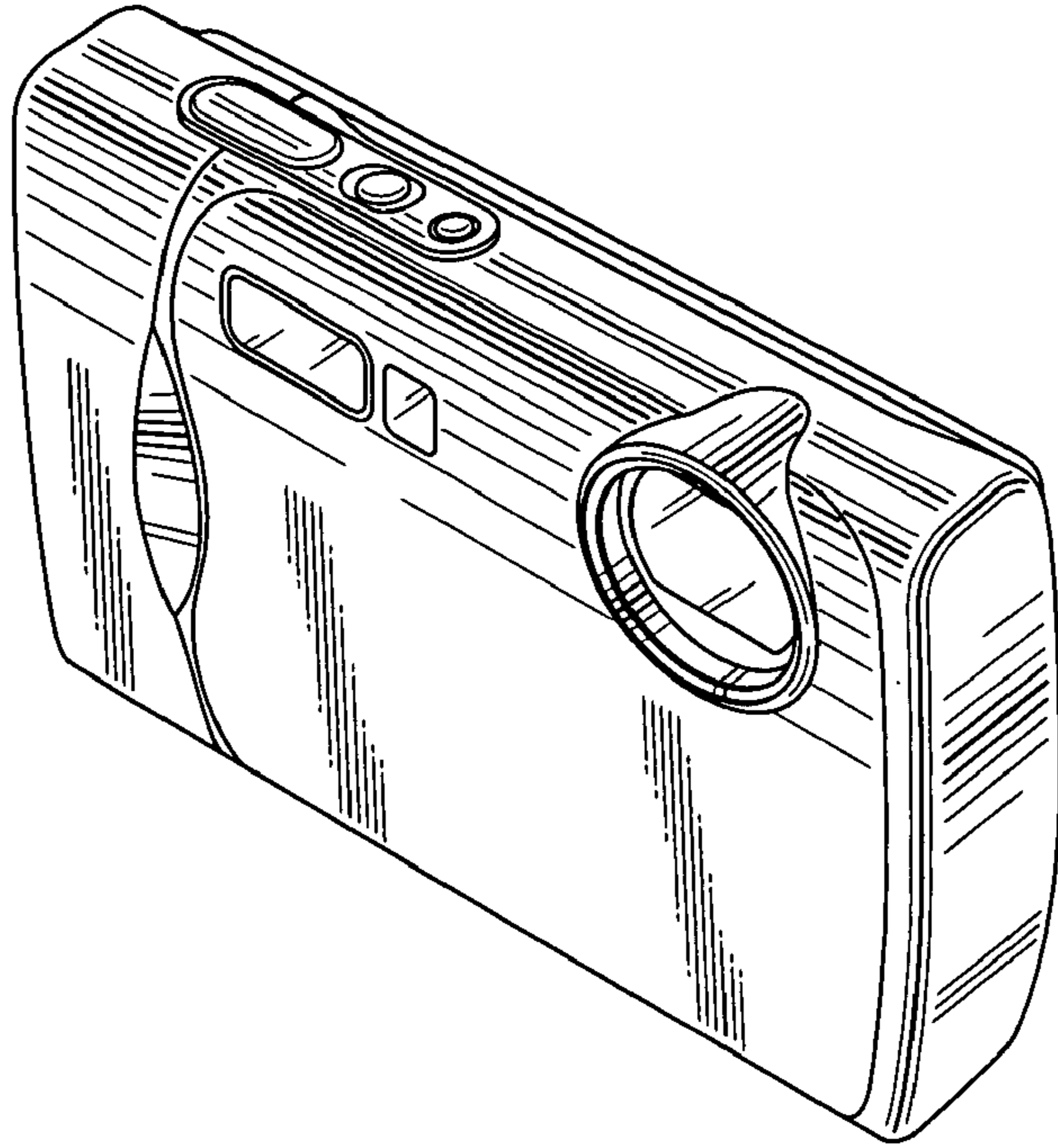


FIG. 1

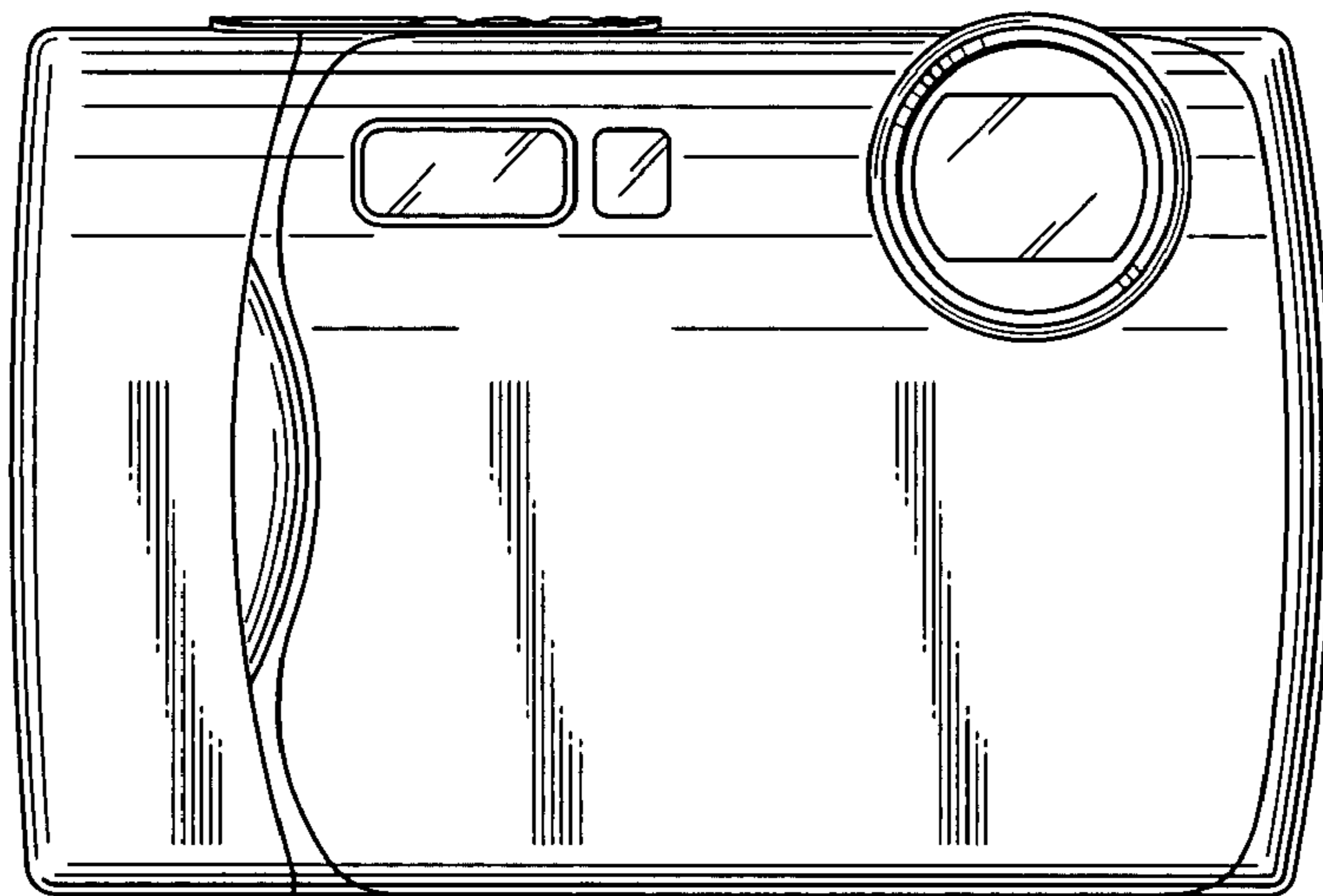


FIG. 2

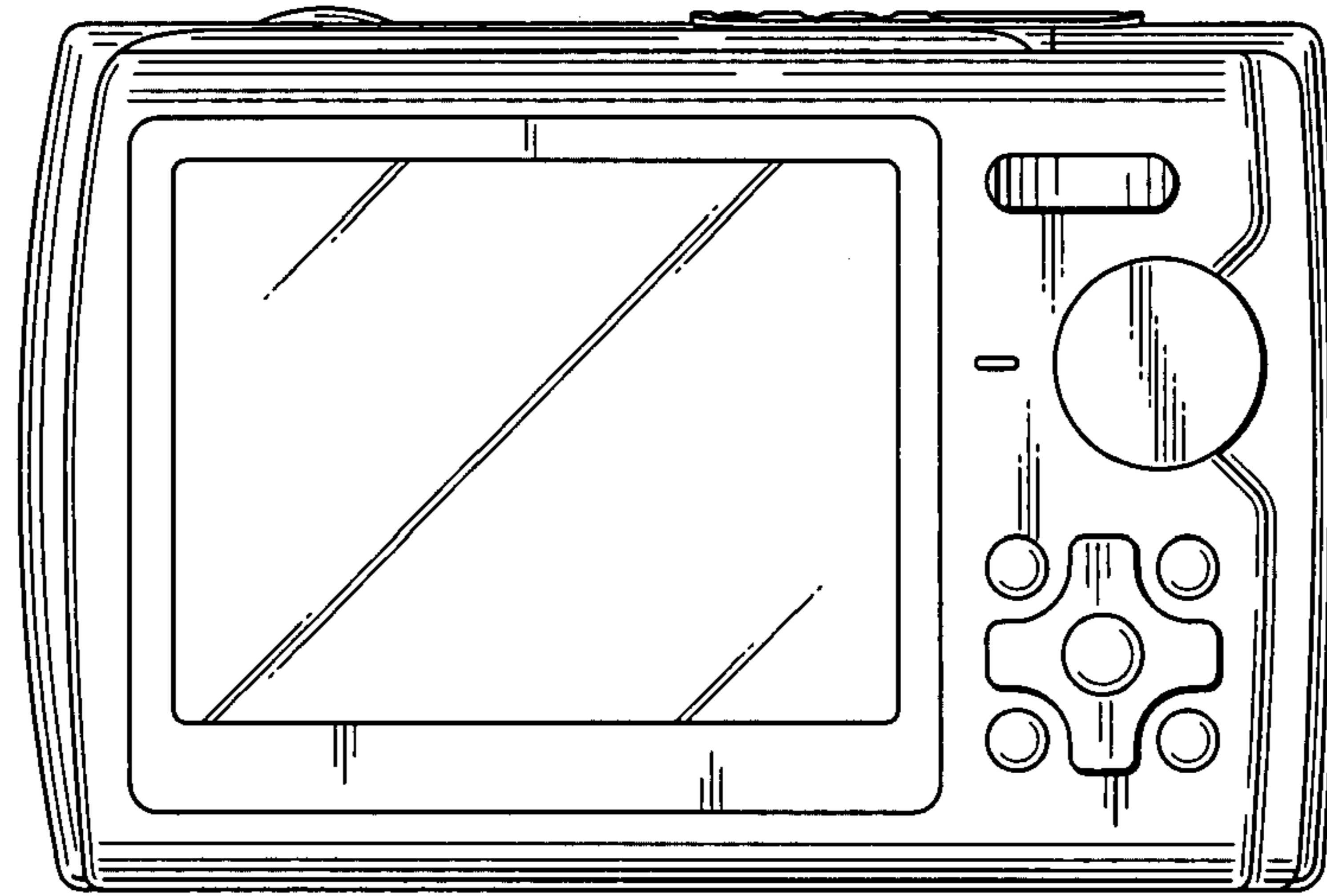


FIG.3

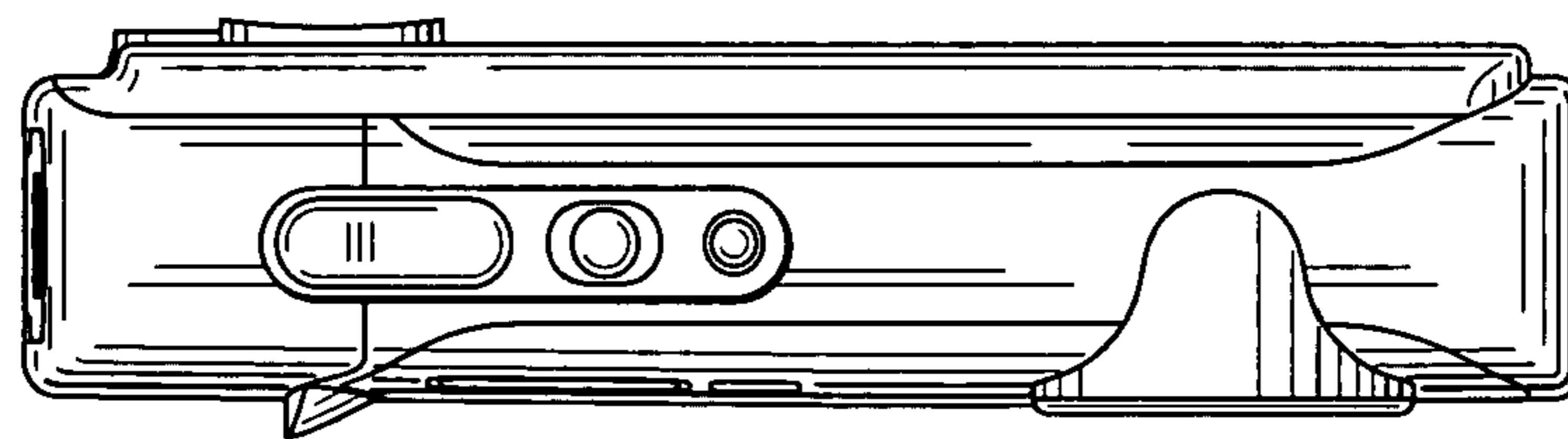


FIG.4

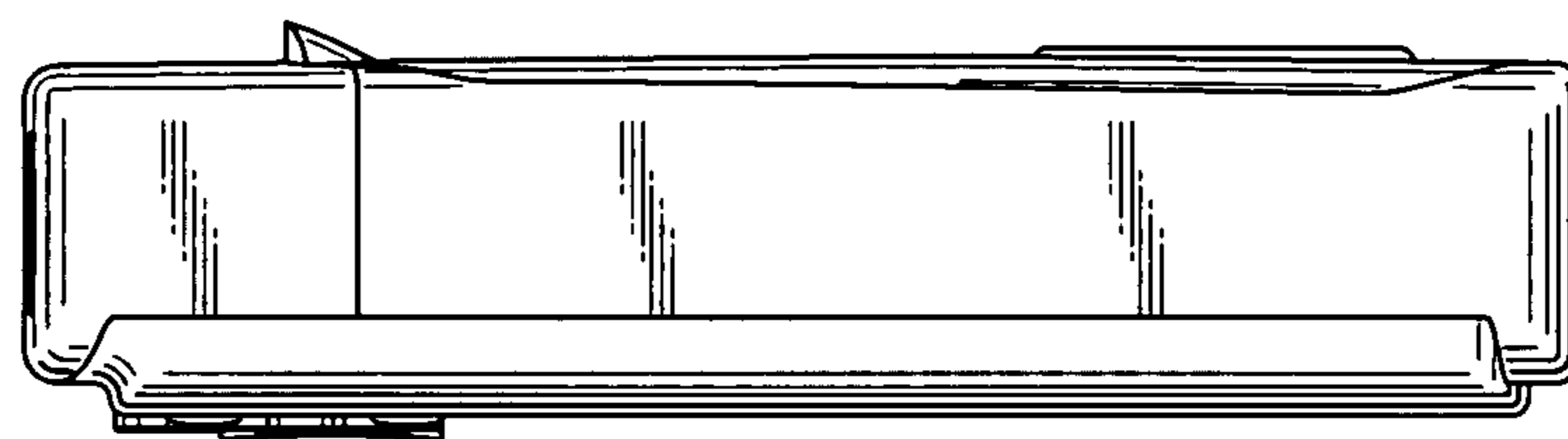


FIG.5

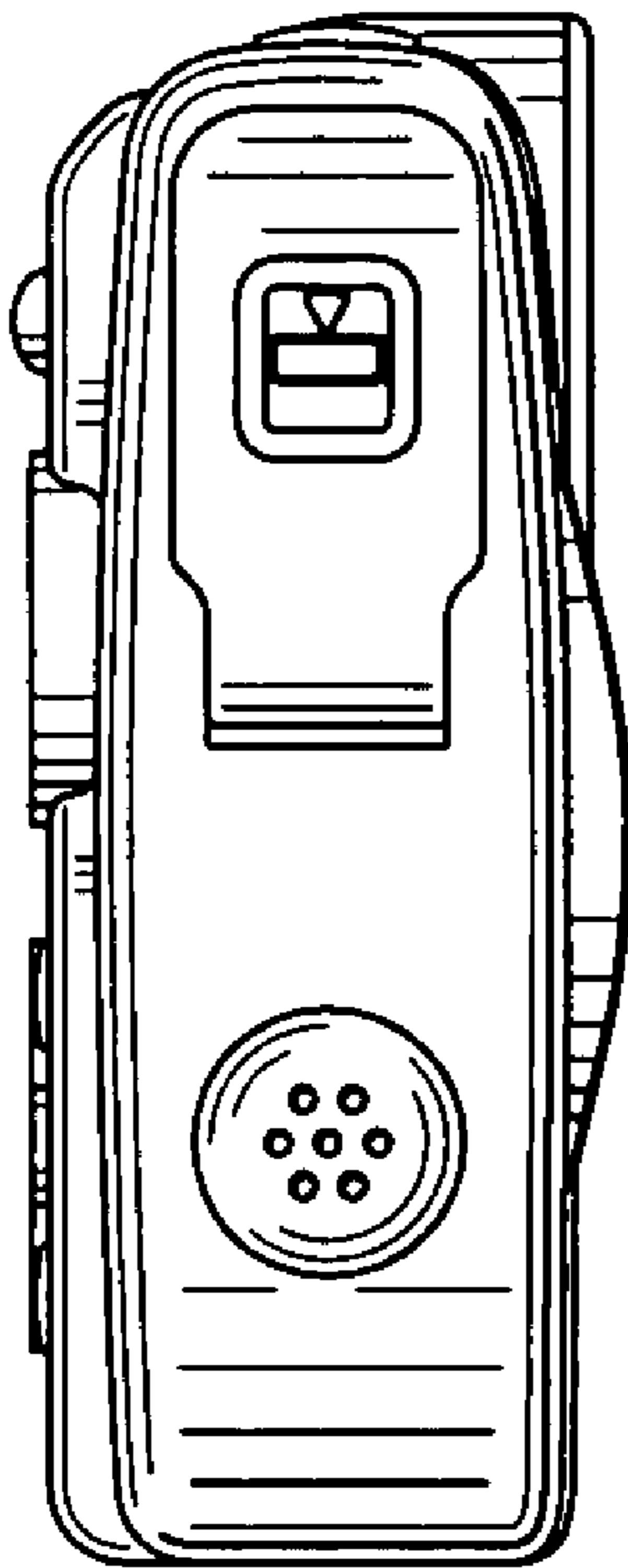


FIG. 6

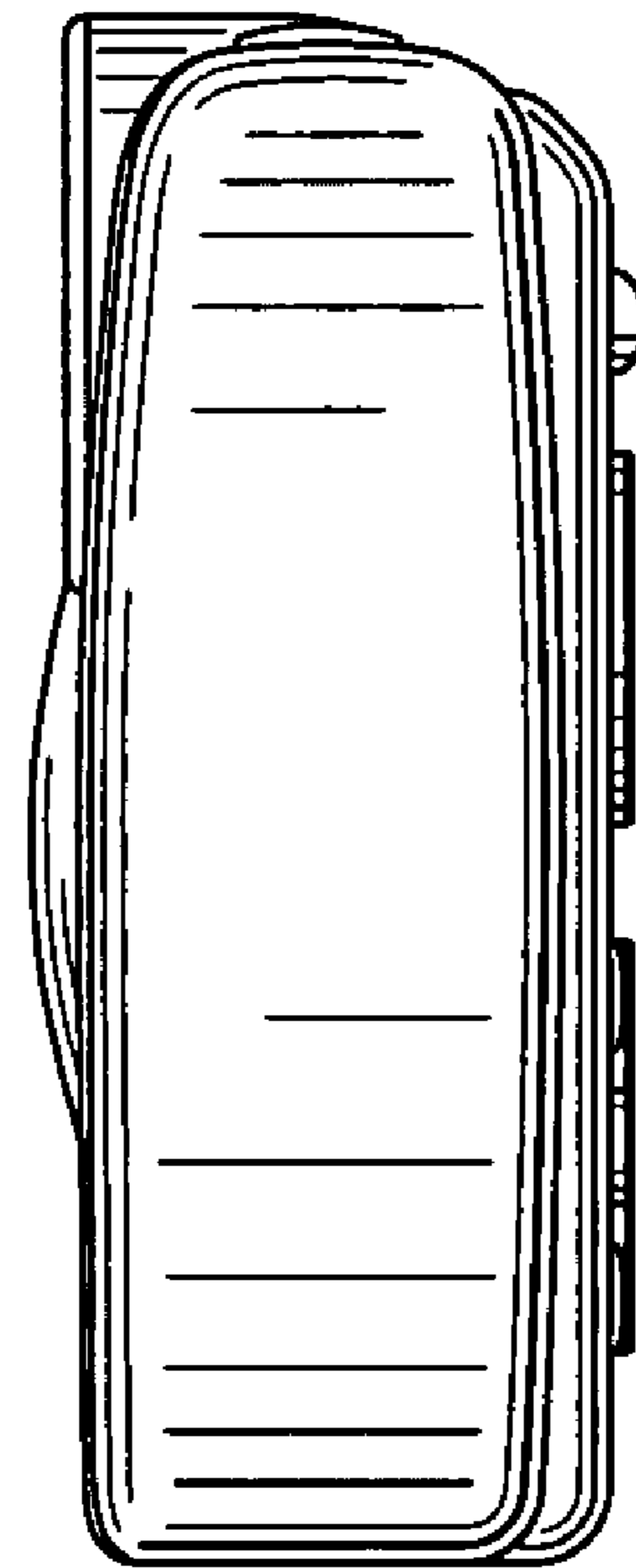


FIG. 7