



US00D573620S

(12) **United States Design Patent**  
**Walton**

(10) **Patent No.:** **US D573,620 S**

(45) **Date of Patent:** **\*\* Jul. 22, 2008**

(54) **SELF SEALING PISTON RING**

(75) Inventor: **Frank A. Walton**, Ft. Worth, TX (US)

(73) Assignee: **Dosmatic USA, Inc.**, Carrollton, TX (US)

(\*\*) Term: **14 Years**

(21) Appl. No.: **29/276,958**

(22) Filed: **Feb. 9, 2007**

(51) **LOC (8) Cl.** ..... **15-09**

(52) **U.S. Cl.** ..... **D15/148**

(58) **Field of Classification Search** ..... D15/143,  
D15/148, 149; 92/165 PR, 193, 212, 223;  
123/193.4; 227/103, 138, 163, 193, 194,  
227/215, 216, 218, 222, 238 A

See application file for complete search history.

(56) **References Cited**

**U.S. PATENT DOCUMENTS**

2,160,654	A *	5/1939	Hagen	.....	277/458
2,311,731	A *	2/1943	Bowers	.....	277/465
2,602,010	A *	7/1952	Ernst	.....	277/447
2,900,213	A *	8/1959	Bruce	.....	277/446
3,131,944	A *	5/1964	Sanon	.....	277/480
4,488,522	A *	12/1984	Jones	.....	123/193.4
4,499,813	A *	2/1985	Lampert	.....	92/31
5,117,742	A *	6/1992	Iida	.....	92/126
5,676,380	A *	10/1997	Sell	.....	277/465

D390,855	S *	2/1998	Benson	.....	D15/143
D394,866	S *	6/1998	Lee	.....	D15/148
D436,117	S *	1/2001	Chuang	.....	D15/143
D490,447	S *	5/2004	Ronfeldt et al.	.....	D15/143
2004/0217550	A1 *	11/2004	Lee	.....	277/459
2008/0000443	A1 *	1/2008	Donahue	.....	123/193.4
2008/0025855	A1 *	1/2008	Alaze et al.	.....	417/509

\* cited by examiner

*Primary Examiner*—Sandra Snapp

*Assistant Examiner*—Patricia Palasik

(74) *Attorney, Agent, or Firm*—Colin P. Cahoon; Carstens & Cahoon, LLP

(57) **CLAIM**

The ornamental design for a self sealing piston ring, as shown and described.

**DESCRIPTION**

FIG. 1 is a perspective view of the piston ring;

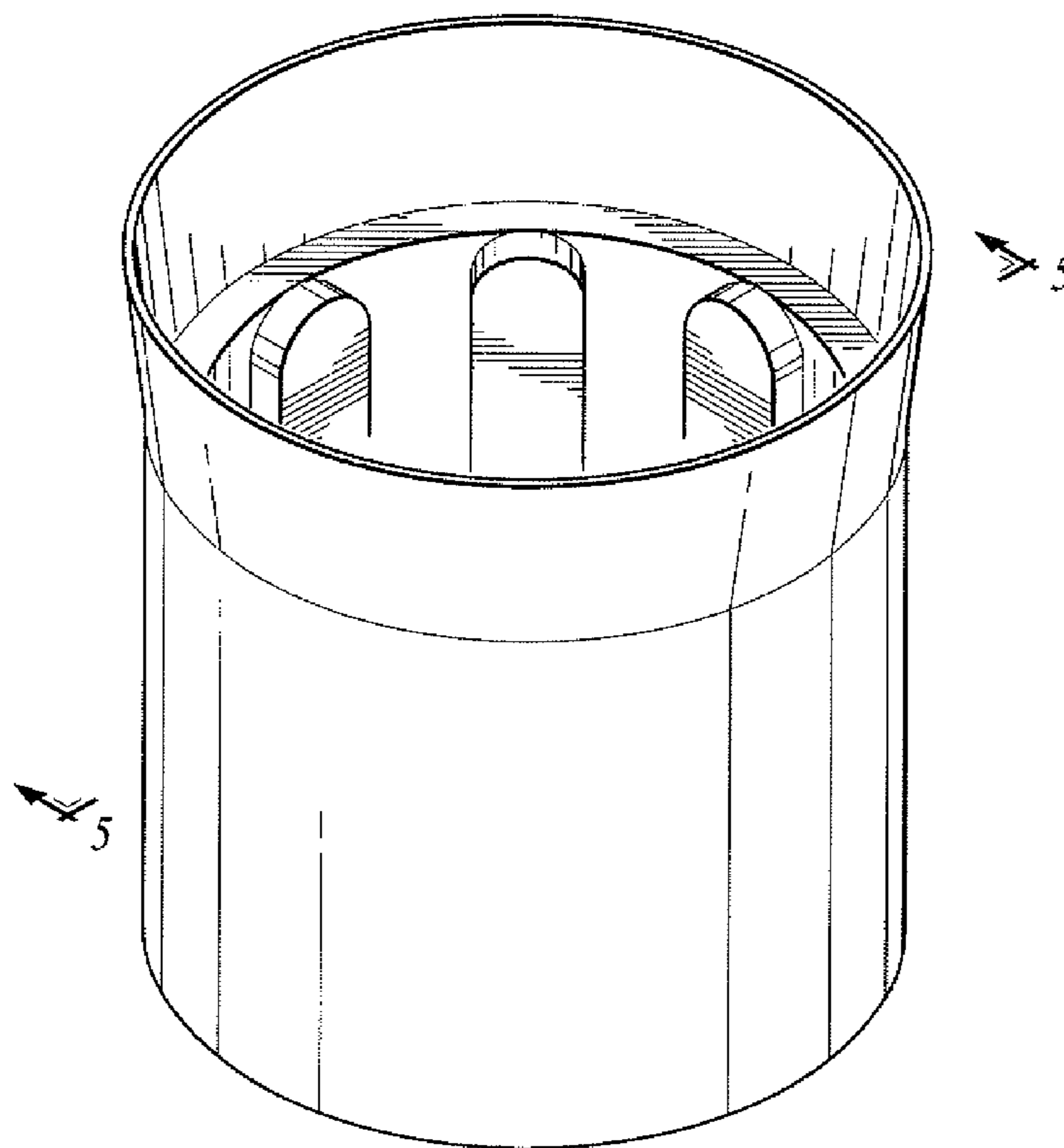
FIG. 2 is a front elevation view of the piston ring, with the back elevation, left elevation and right elevation views identical to the front elevation view;

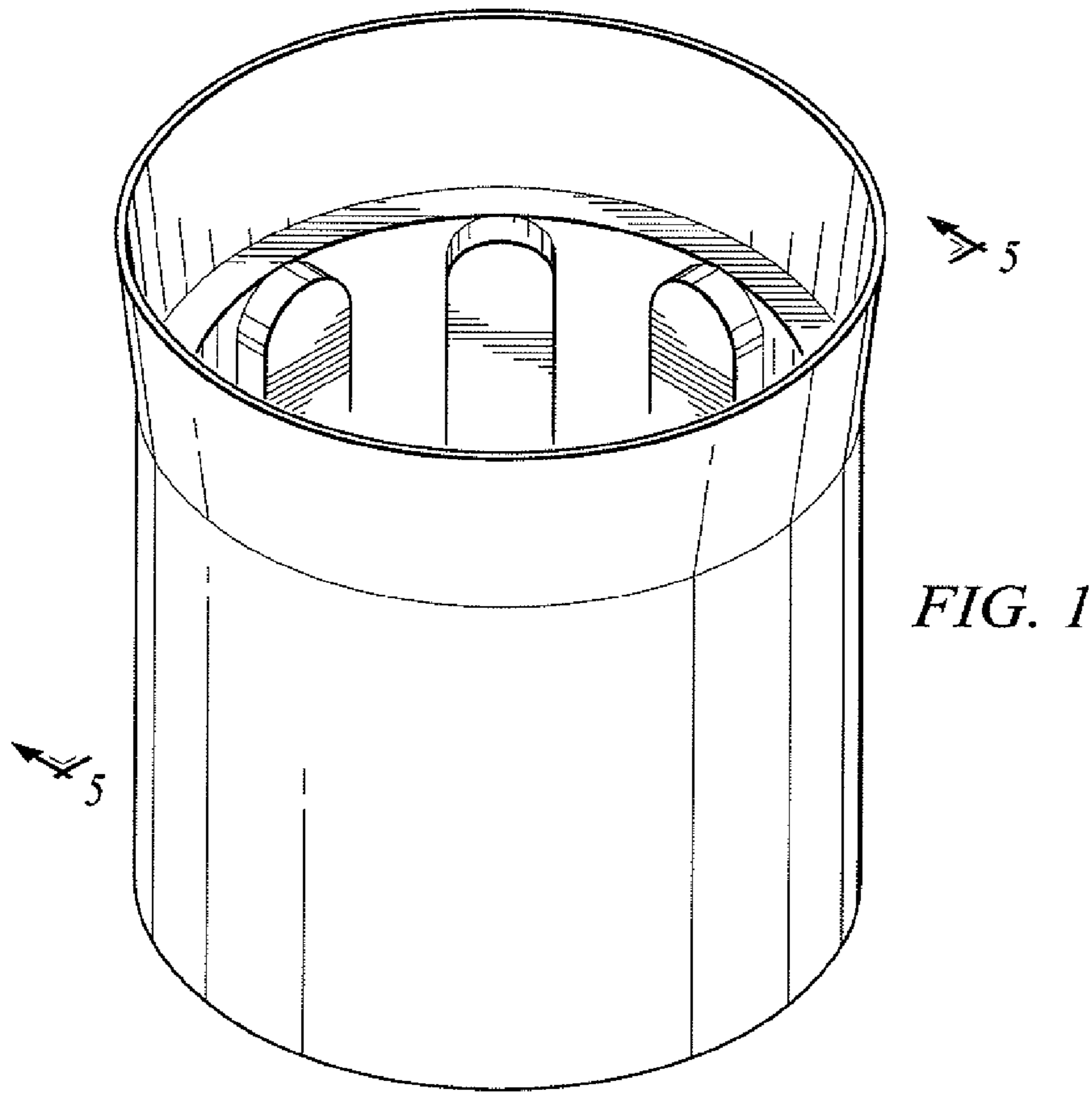
FIG. 3 is a top plan view of the piston ring;

FIG. 4 is a bottom plan view of the piston ring; and,

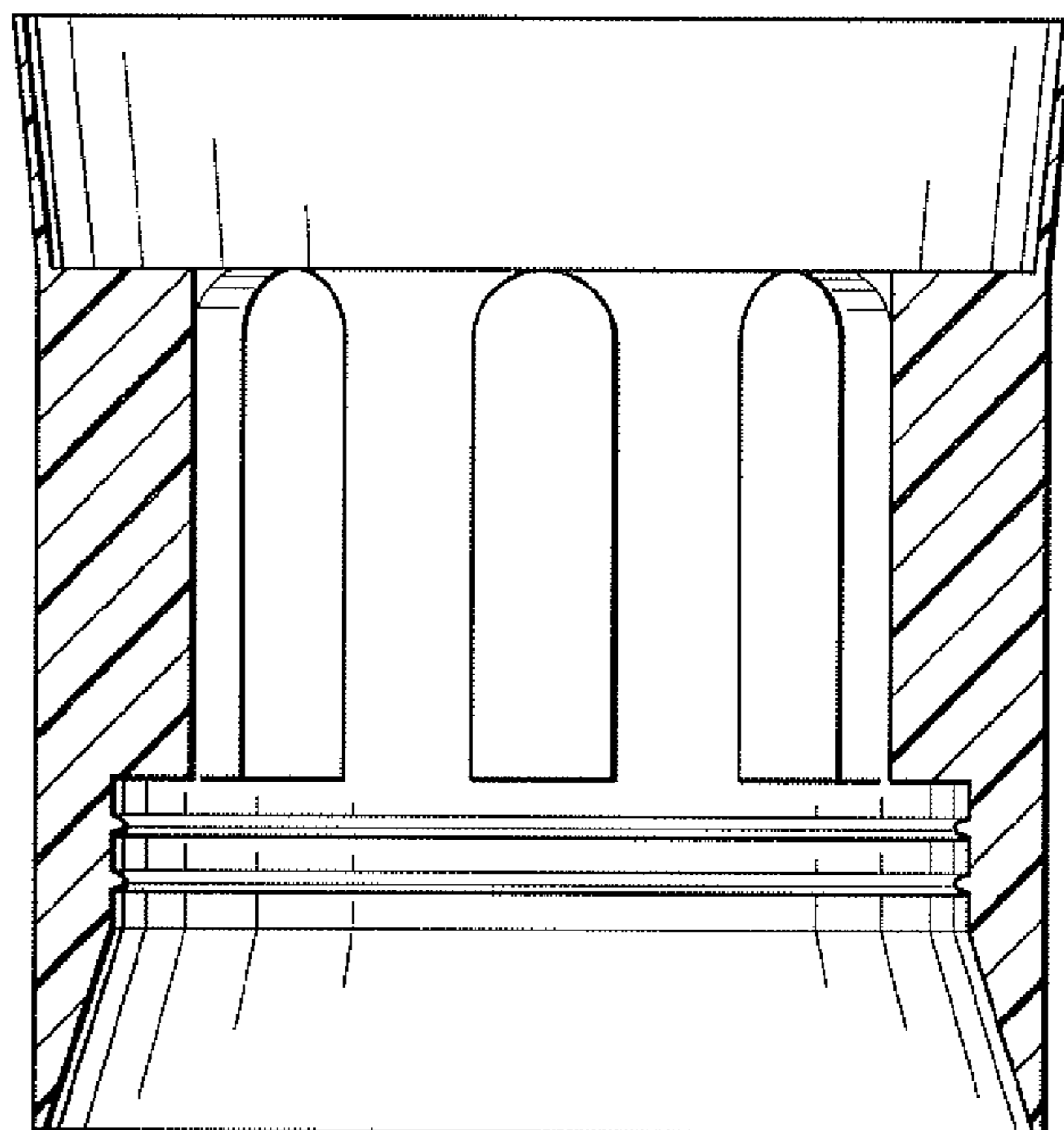
FIG. 5 is a sectional view of the piston ring taken along line 5—5 of FIG. 1.

**1 Claim, 2 Drawing Sheets**

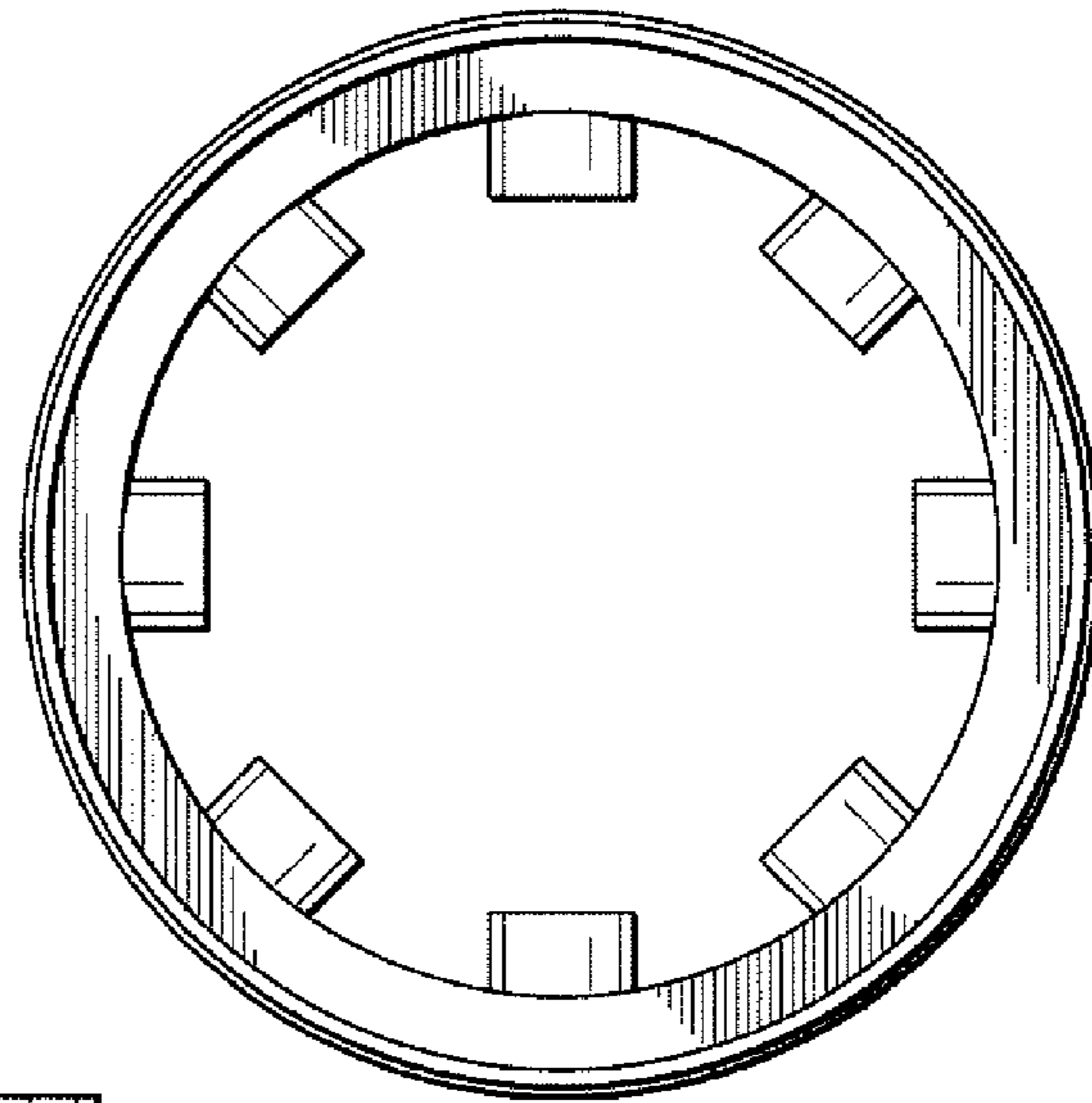




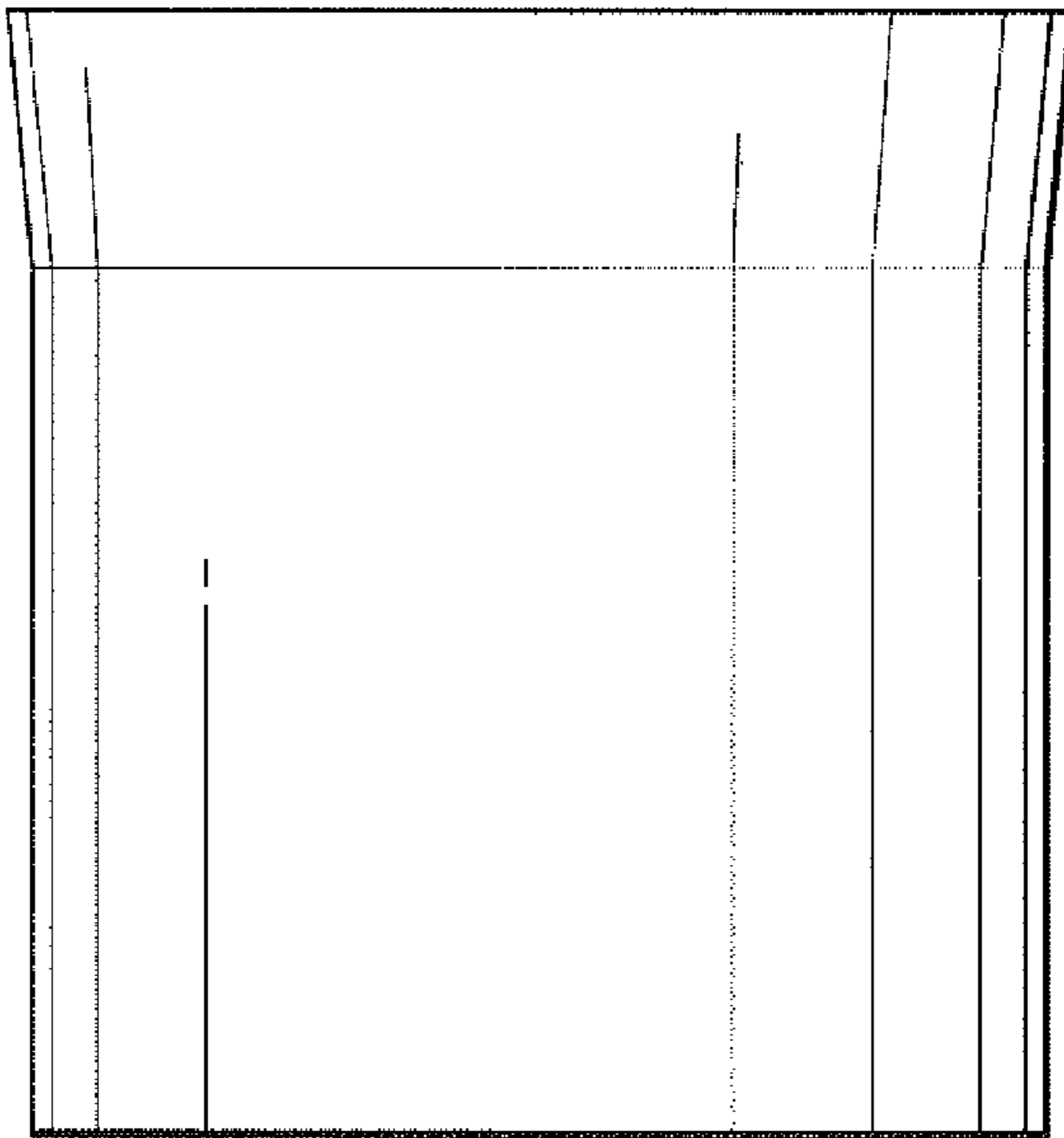
*FIG. 5*



*FIG. 3*



*FIG. 2*



*FIG. 4*

