

US00D573618S

(12) **United States Design Patent**
Peck et al.

(10) **Patent No.:** **US D573,618 S**

(45) **Date of Patent:** **** Jul. 22, 2008**

(54) **BEARING FRAME**

2003/0063826 A1* 4/2003 Cevasco et al. 384/537

(75) Inventors: **Gregory Lloyd Peck**, North Rose, NY (US); **David Lee Fergot**, Syracuse, NY (US); **Douglas Malcom Russell**, Syracuse, NY (US); **Len Howard Nicholas**, Syracuse, NY (US); **Douglas Paddock**, Penn Yan, NY (US)

* cited by examiner

Primary Examiner—Sandra Snapp
Assistant Examiner—Patricia Palasik

(73) Assignee: **ITT Manufacturing Enterprises, Inc.**,
Wilmington, DE (US)

(57) **CLAIM**

The ornamental design for a bearing frame, as shown and described.

(**) Term: **14 Years**

DESCRIPTION

(21) Appl. No.: **29/293,188**

FIG. 1 is a top perspective view of a bearing frame showing the present invention;

(22) Filed: **Nov. 6, 2007**

FIG. 2 is a bottom perspective view of the bearing frame in FIG. 1 showing the present invention;

(51) **LOC (8) Cl.** **15-09**

(52) **U.S. Cl.** **D15/143**

(58) **Field of Classification Search** D15/7-9,
D15/143; 384/412, 428, 447, 537

FIG. 3 is a side view of the bearing frame in FIG. 1 showing one side of the present invention;

FIG. 4 is a side view of the bearing frame in FIG. 1 showing the other side of the present invention;

See application file for complete search history.

FIG. 5 is a front view of the bearing frame in FIG. 1 along its longitudinal axis looking into the page showing the present invention;

(56) **References Cited**

U.S. PATENT DOCUMENTS

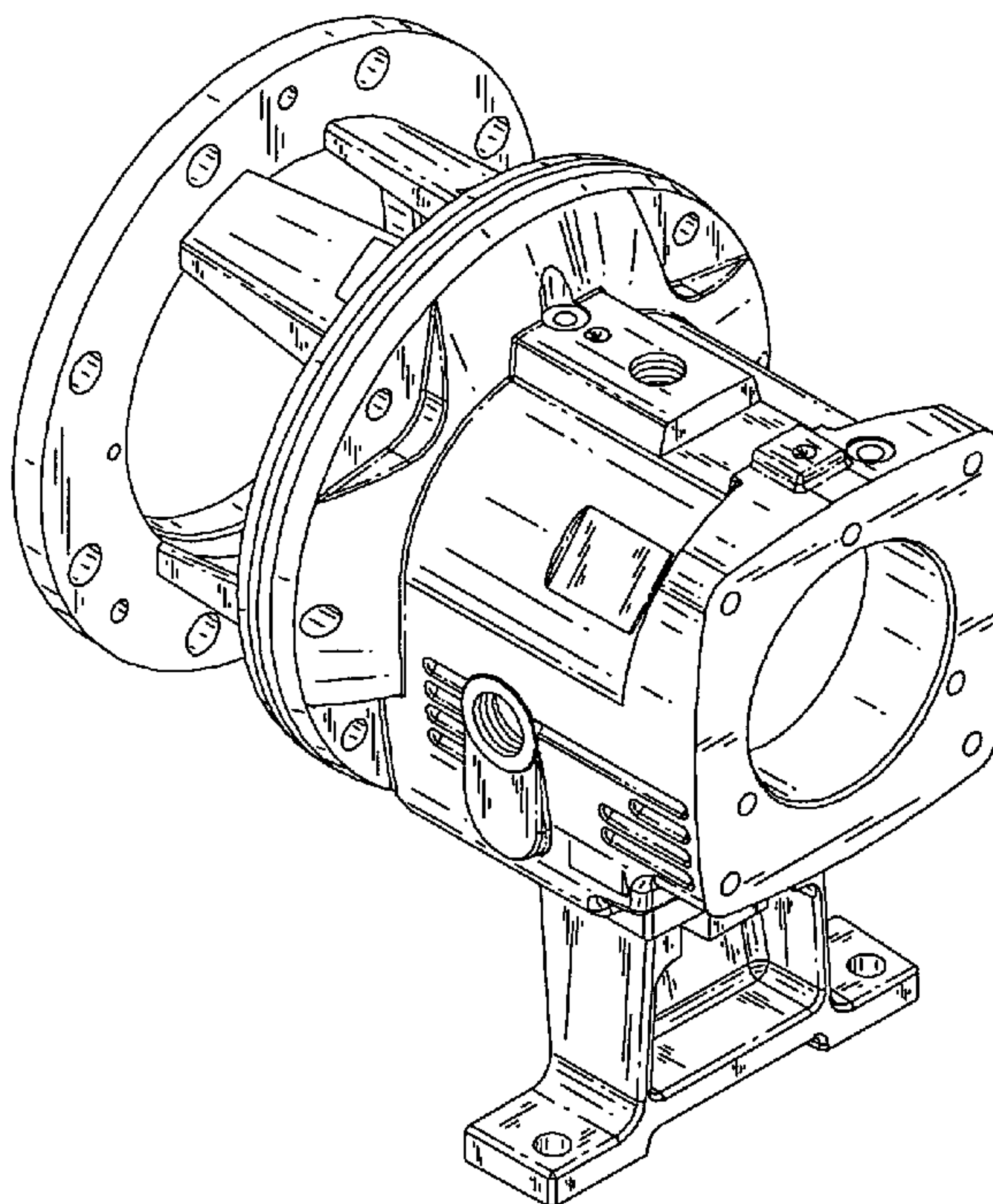
D202,145 S *	8/1965	Shroeder	D15/7
D303,670 S *	9/1989	Adolfo	D15/9
D327,272 S *	6/1992	Cadotte et al.	D15/7
D349,710 S *	8/1994	Moro	D15/7
D447,148 S *	8/2001	Antony et al.	D15/7
D549,250 S *	8/2007	Salomaa et al.	D15/143
D549,254 S *	8/2007	Salomaa et al.	D15/143
D549,737 S *	8/2007	Chu	D15/9
D562,849 S *	2/2008	Buitenhuis et al.	D15/7

FIG. 6 is a back view of the bearing frame in FIG. 1 along its longitudinal axis looking out of the page showing the present invention;

FIG. 7 is a bottom view of the bearing frame in FIG. 2 showing the present invention; and,

FIG. 8 is a top view of the bearing frame in FIG. 1 showing the present invention.

1 Claim, 4 Drawing Sheets



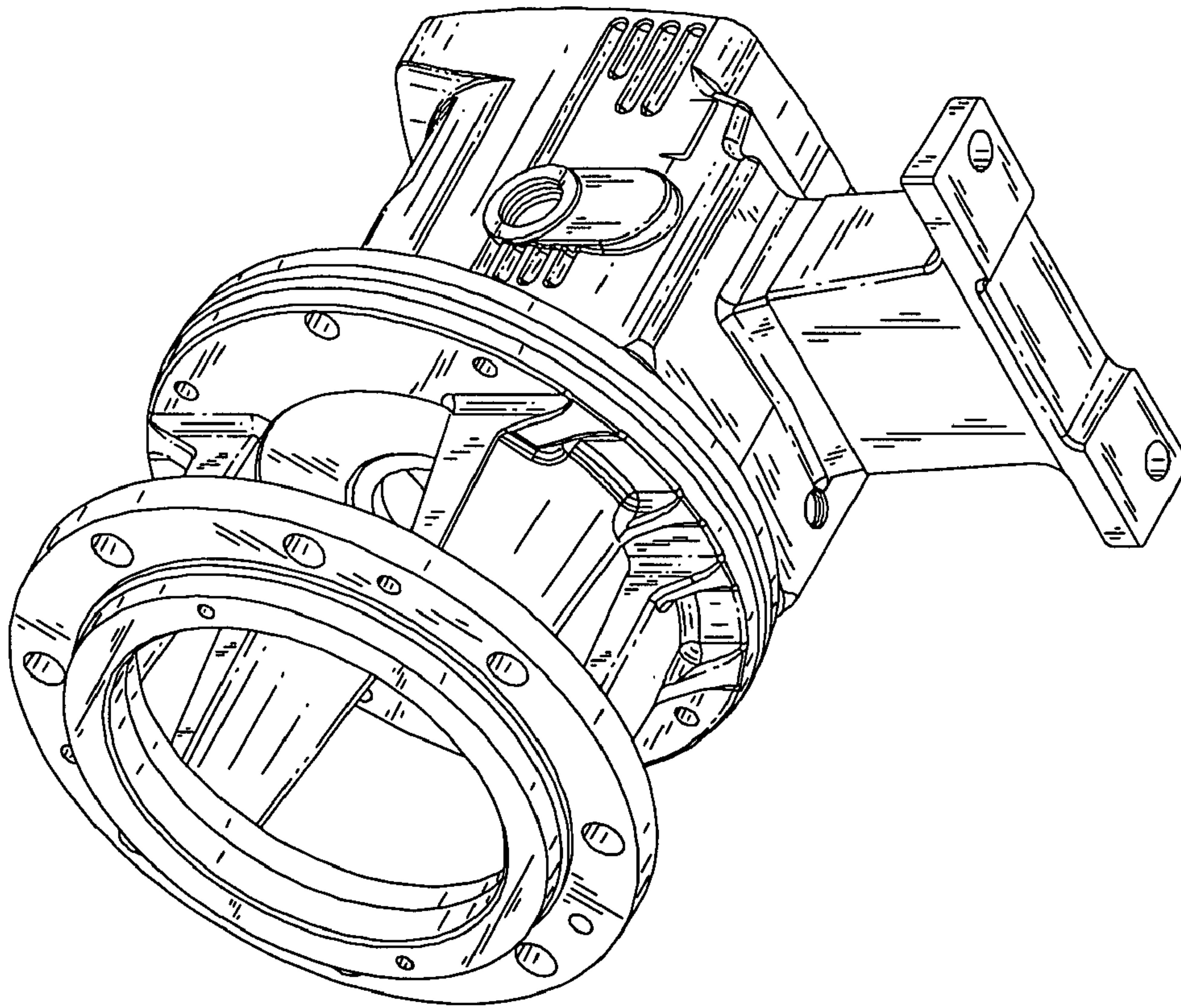


FIG. 2

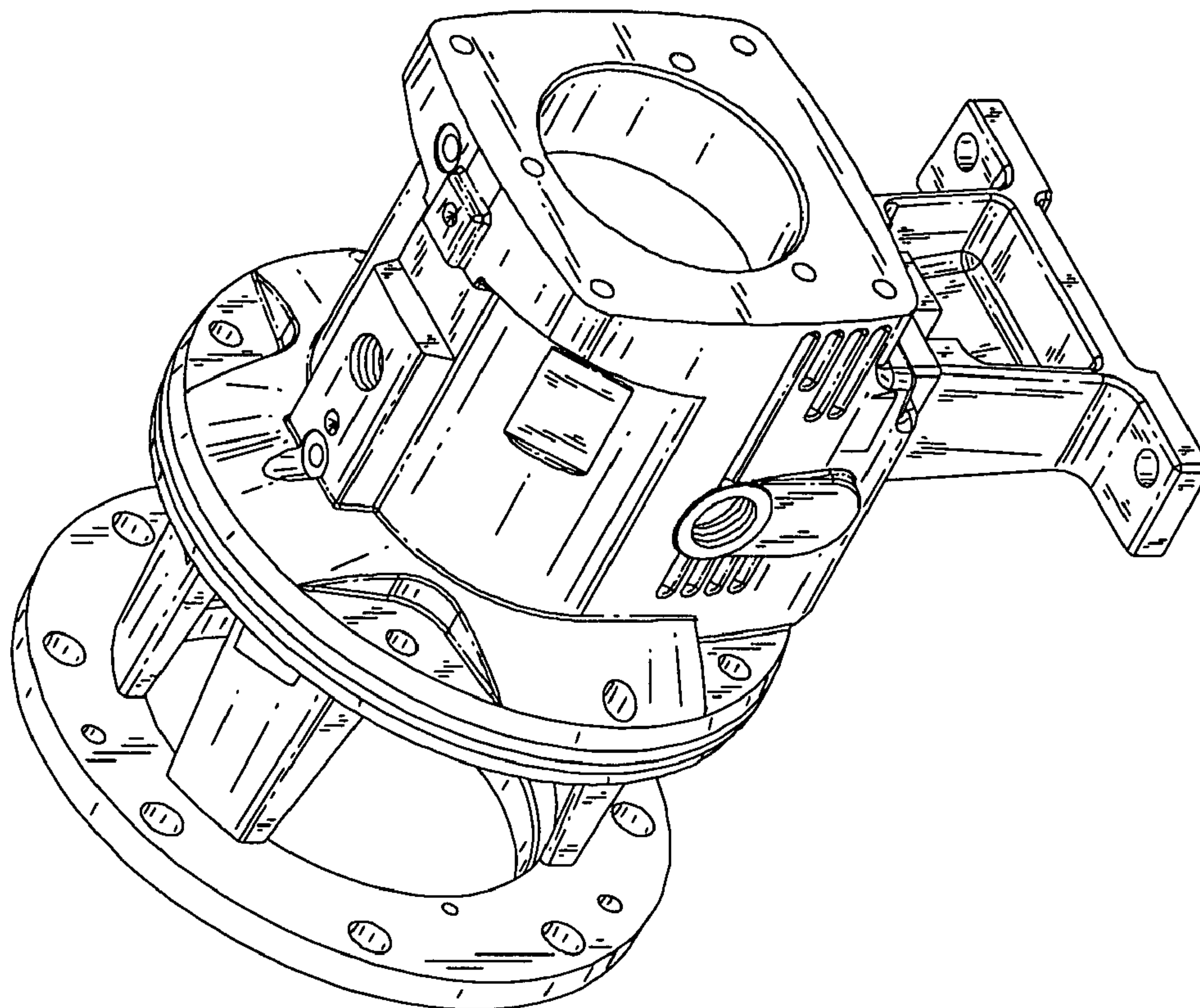


FIG. 1

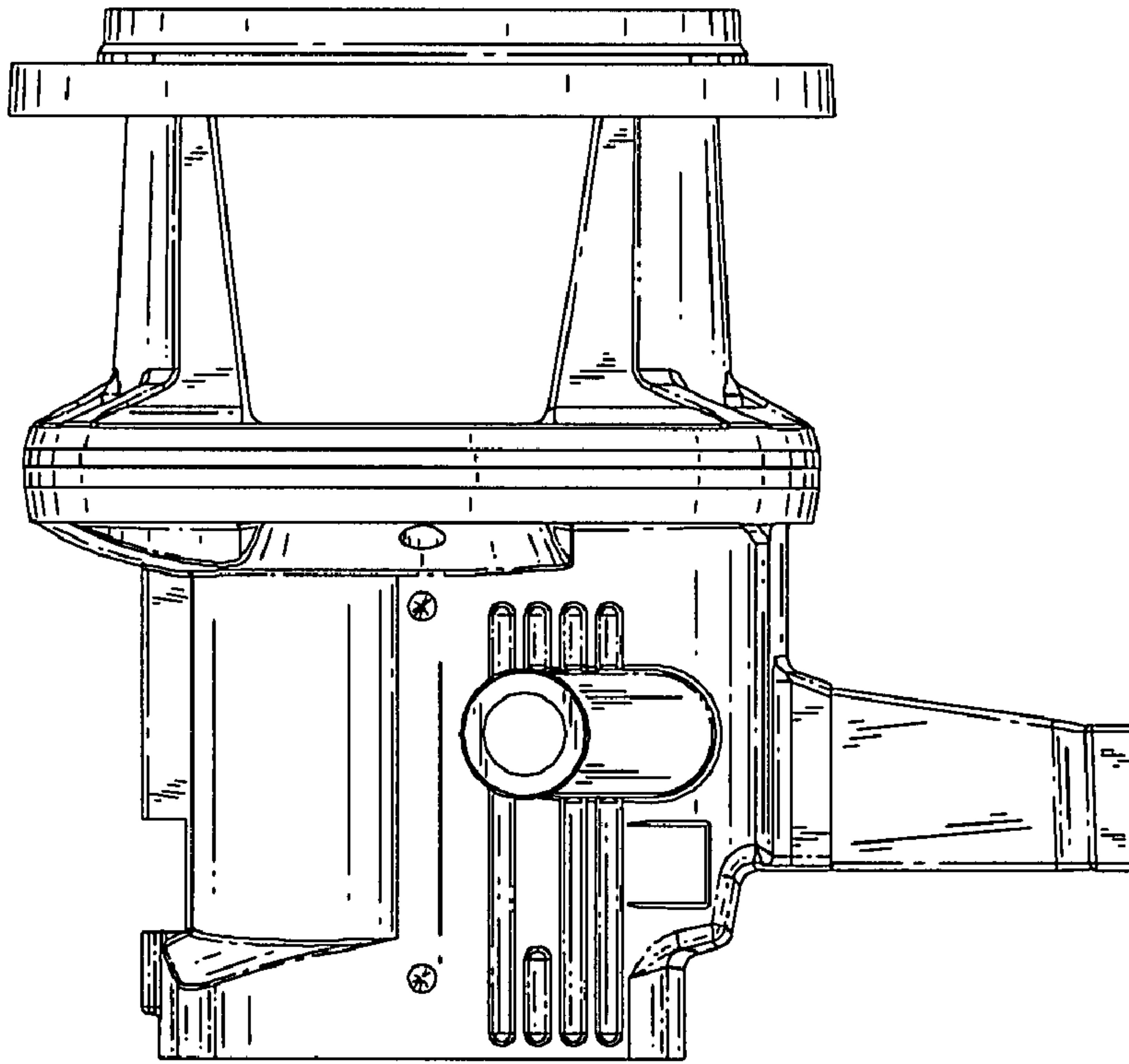


FIG. 4

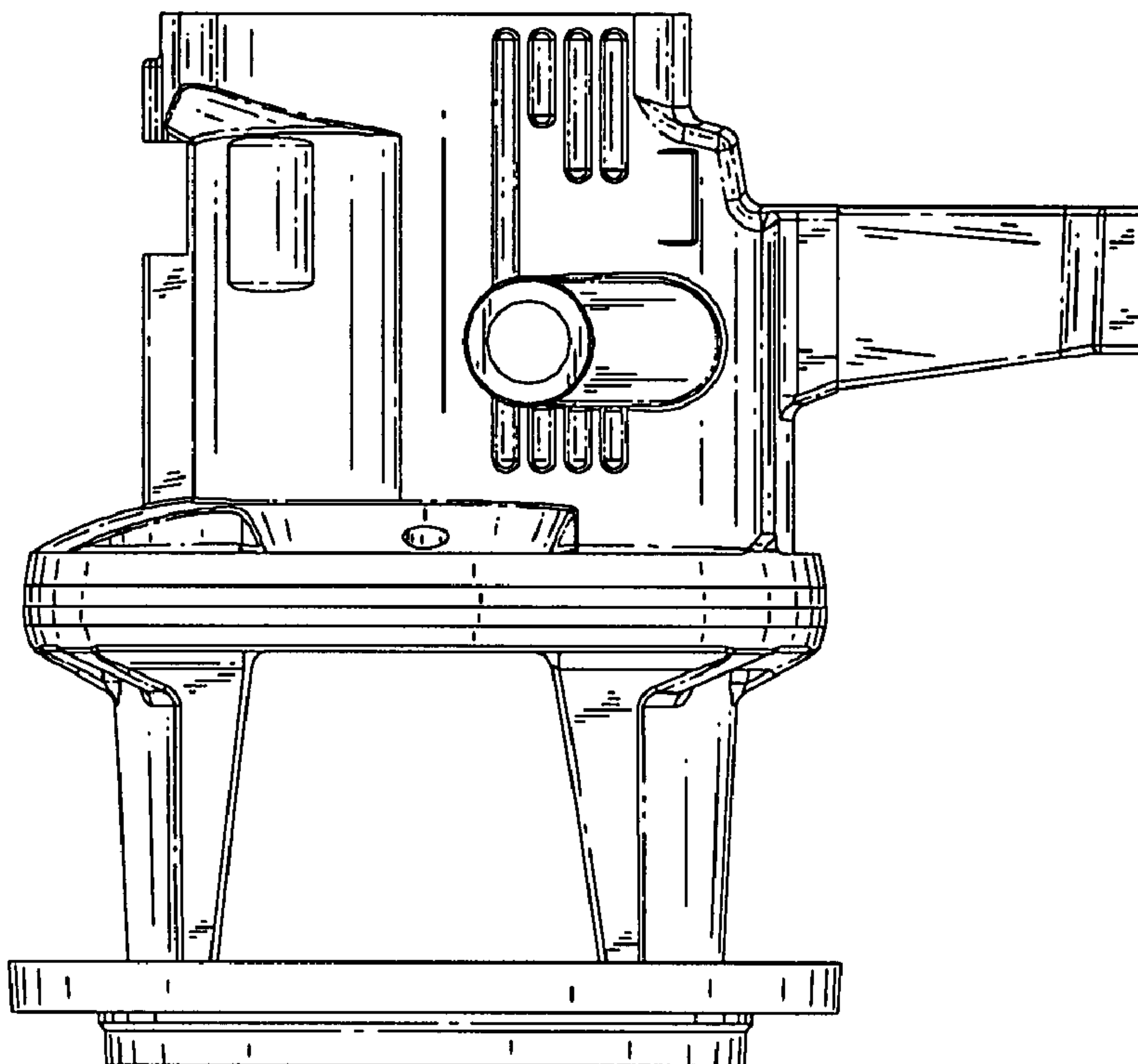


FIG. 3

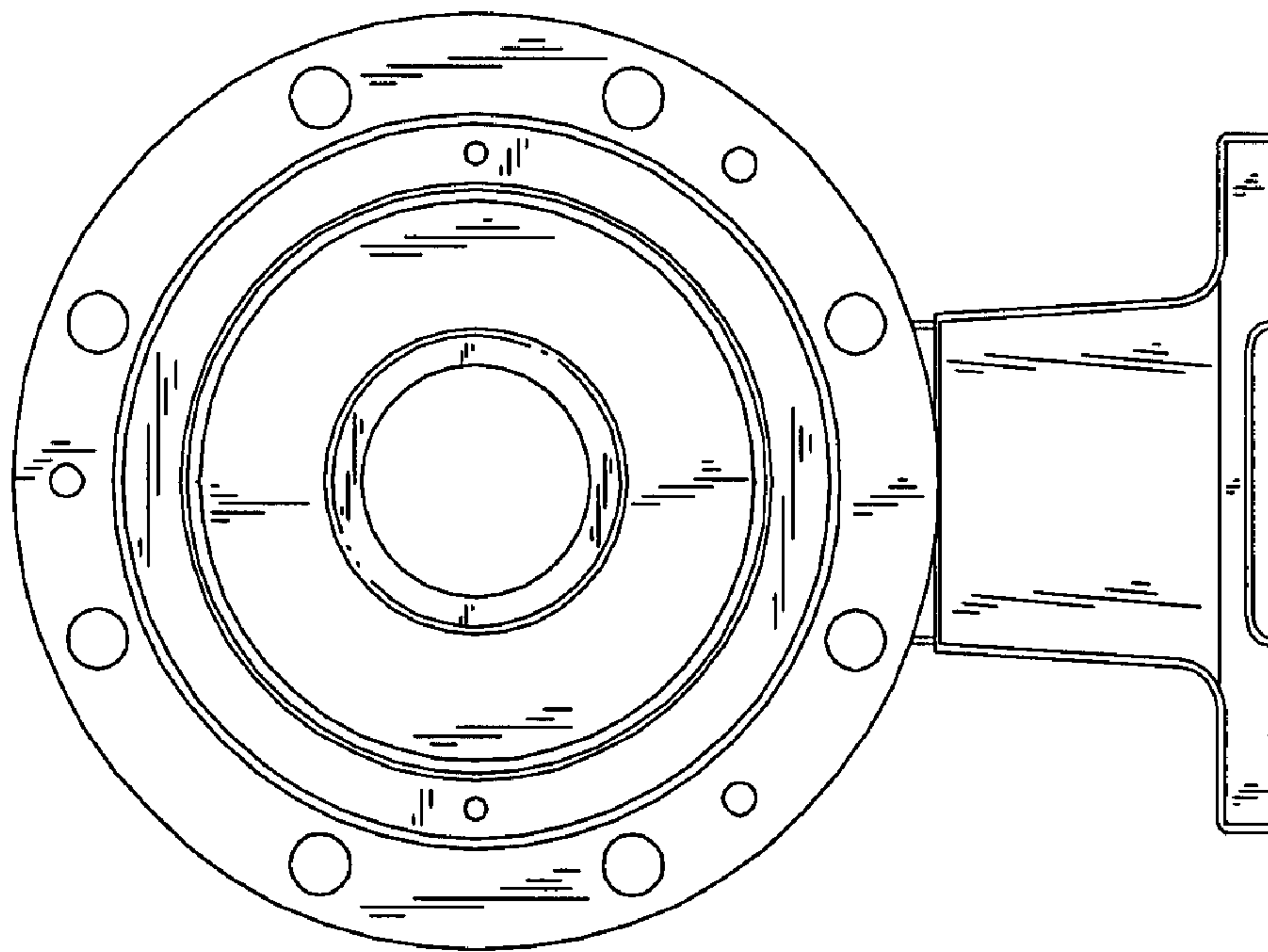


FIG. 6

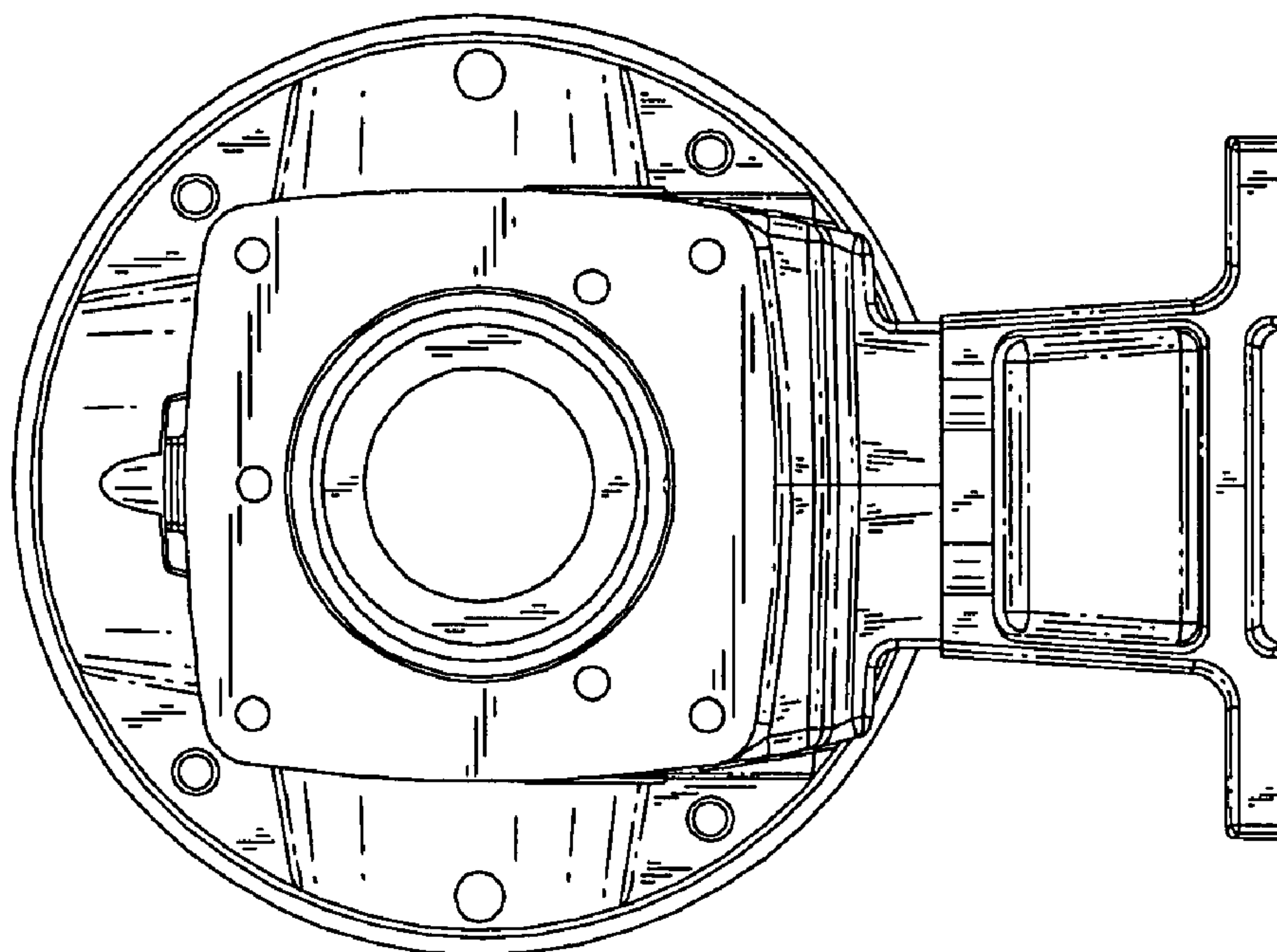


FIG. 5

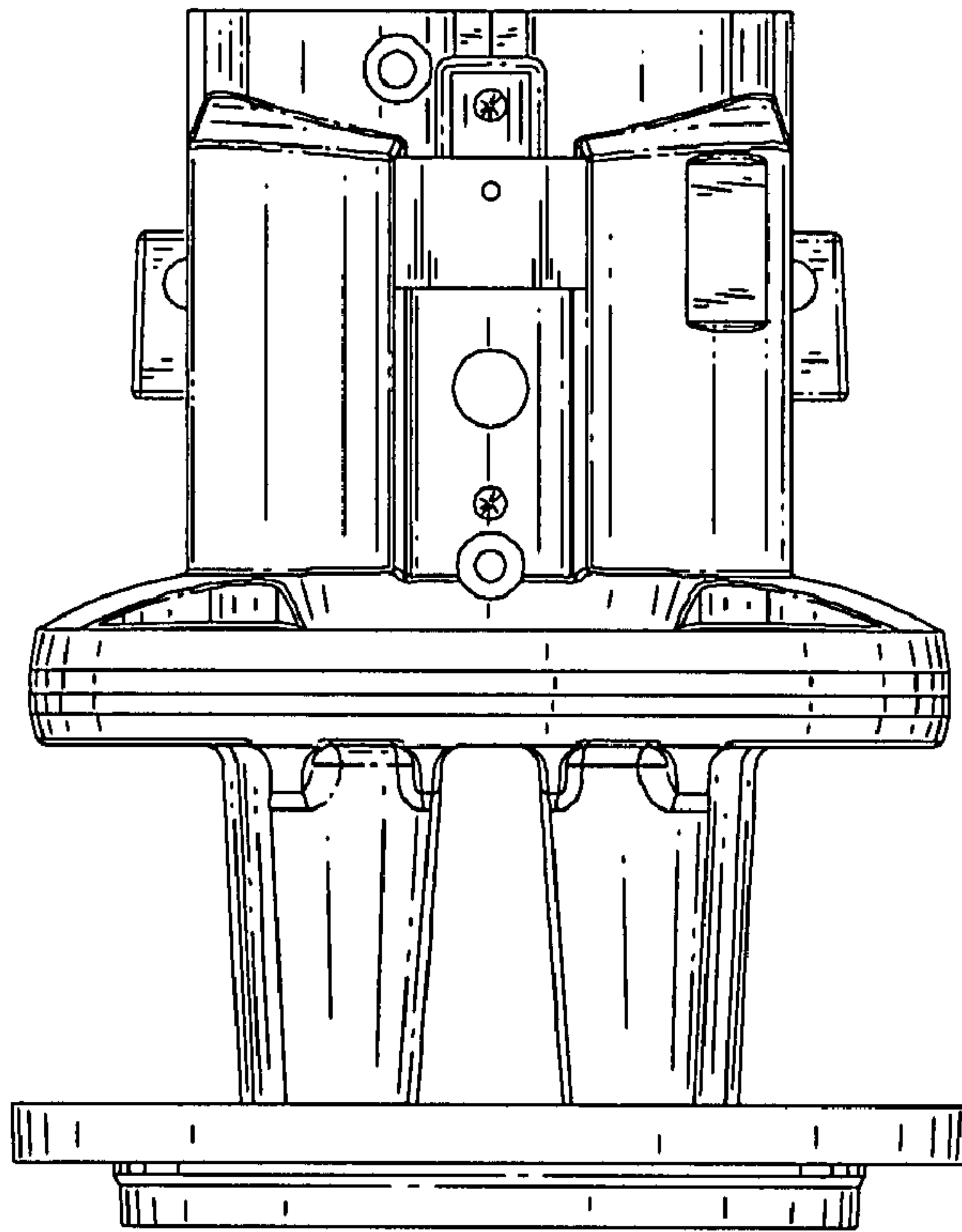


FIG. 8

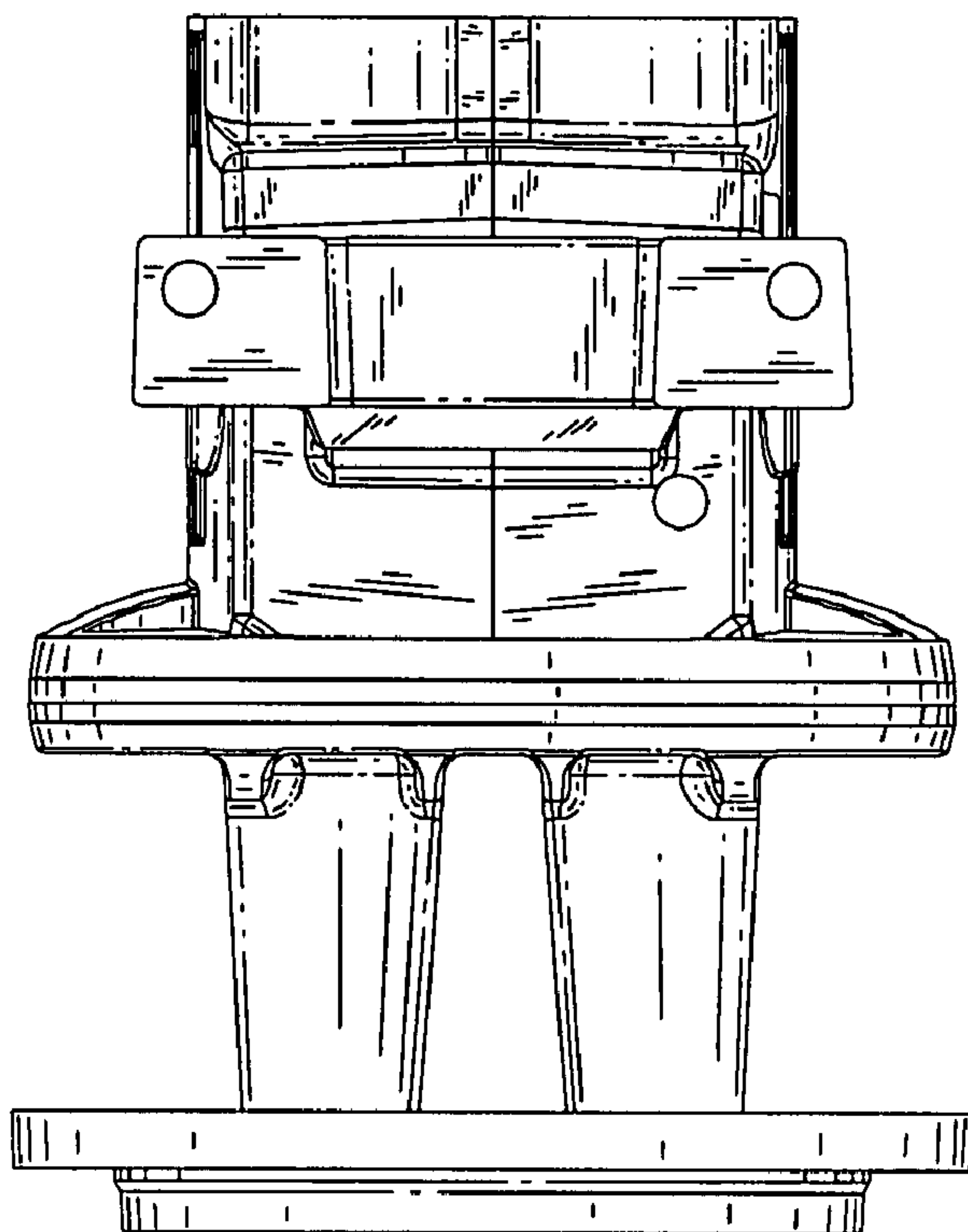


FIG. 7