



US00D573615S

(12) **United States Design Patent**
McDaniel

(10) **Patent No.:** **US D573,615 S**
(45) **Date of Patent:** **** Jul. 22, 2008**

(54) **DUST COLLECTOR**

(75) Inventor: **Steven D. McDaniel**, Humboldt, TN
(US)

(73) Assignee: **Black & Decker Inc.**, Newark, DE (US)

(**) Term: **14 Years**

(21) Appl. No.: **29/264,900**

(22) Filed: **Aug. 22, 2006**

(51) **LOC (8) Cl.** **15-05**

(52) **U.S. Cl.** **D15/138**

(58) **Field of Classification Search** D32/21-24,
D32/31-33, 40-42, 45, 50-51; 15/244.1,
15/209.1, 228, 350-353, 361, 320-322, 400-401,
15/412-414, 415.1-422, 422.1, 327.1-327.7;
D12/204-213; D21/779, 563; 401/138,
401/268; 144/252.1, 114.1, 144.51, 145.1,
144/85, 87; 409/137, 125, 130; 408/72 R,
408/84, 241 R; 83/100; D15/133, 138, 122,
D15/140-141, 199; D30/30

See application file for complete search history.

(56) **References Cited**

U.S. PATENT DOCUMENTS

18,838 A	12/1857	Babbs et al.
266,042 A	10/1882	Merz
475,544 A	5/1892	Dobbie
478,544 A	7/1892	Cordesman et al.
610,272 A	9/1898	Lindwall
1,262,743 A	4/1918	Bronson
1,432,121 A	10/1922	Prickett
1,466,312 A	8/1923	Morcom
1,483,966 A	2/1924	Collins
1,532,467 A	4/1925	Barnett
1,670,074 A	5/1928	Mathez
1,679,074 A	7/1928	Carter
1,751,816 A	3/1930	Hunter
1,841,043 A	1/1932	Moore
1,863,032 A	6/1932	Seelinger
2,036,348 A	4/1936	Miller
2,080,859 A	5/1937	Drapak et al.

2,260,784 A	10/1941	Morton
2,299,602 A	10/1942	Teague
2,607,375 A	9/1952	Gillespie et al.
2,651,847 A	9/1953	Sacrey
2,660,803 A	12/1953	Sacrey
2,764,191 A	9/1956	Hartmann
2,843,167 A	7/1958	Rushton
2,890,730 A	6/1959	Gottlieb
3,057,383 A	10/1962	Waite
3,099,299 A	7/1963	Gilfry
3,109,466 A	11/1963	Jones
3,232,327 A	2/1966	Baranczyk

(Continued)

FOREIGN PATENT DOCUMENTS

DE	879012	6/1953
----	--------	--------

(Continued)

OTHER PUBLICATIONS

Vermont American, Industrial Dovetail Jig, Model #23461, Manual No. 45LCN-72, Aug. 1999, USA.

(Continued)

Primary Examiner—Ruth McInroy

(74) *Attorney, Agent, or Firm*—Goodwin Procter LLP

(57) **CLAIM**

The ornamental design for a dust collector, as shown and described.

DESCRIPTION

FIG. 1 is a perspective view of the dust collector.

FIG. 2 is a top view thereof.

FIG. 3 is a bottom view thereof.

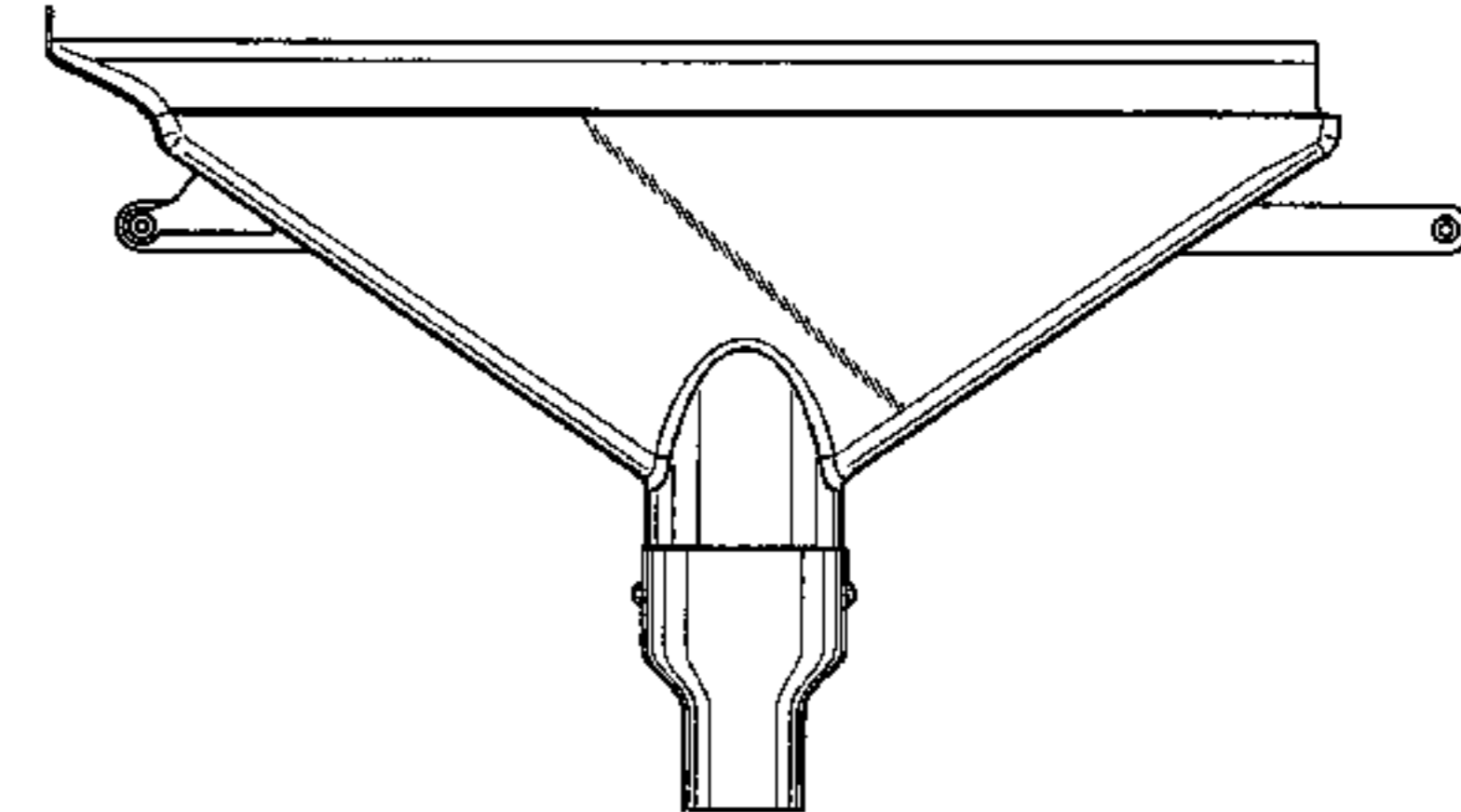
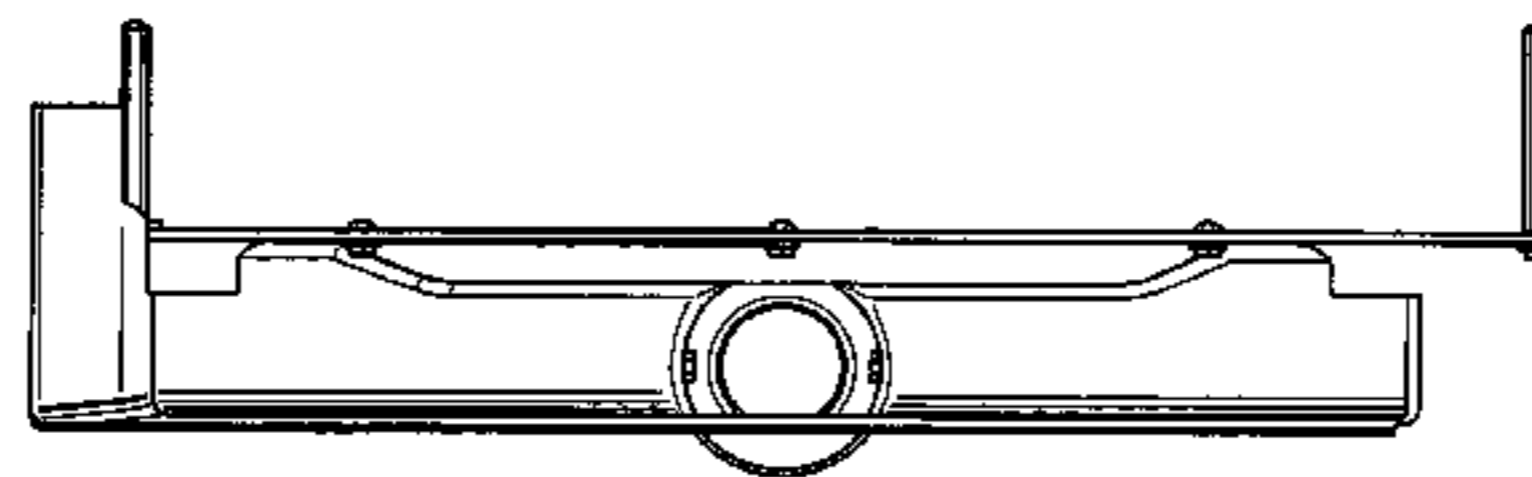
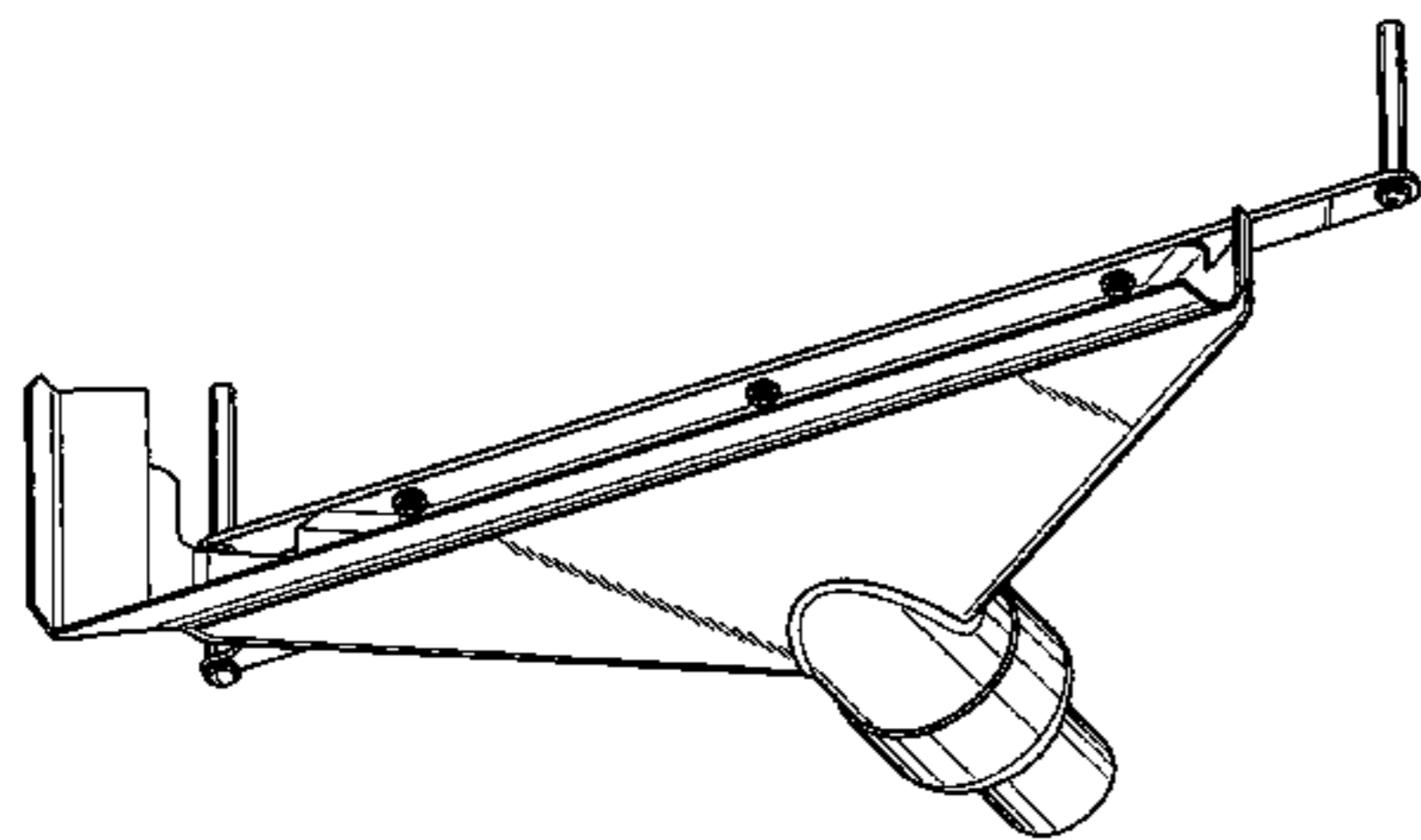
FIG. 4 is a rear elevational view thereof.

FIG. 5 is a front elevational view thereof.

FIG. 6 is a right side elevational view thereof; and,

FIG. 7 is a left side elevational view thereof.

1 Claim, 6 Drawing Sheets



US D573,615 S

Page 2

U.S. PATENT DOCUMENTS						
			5,052,454	A	10/1991	Meinhardt
			5,056,966	A	10/1991	Lee
			5,067,537	A	11/1991	Offner
			5,076,742	A	12/1991	Lee et al.
			5,090,461	A	2/1992	Gakhar et al.
			5,094,279	A	3/1992	Dickey et al.
			5,114,265	A	5/1992	Grisley
			5,123,463	A	6/1992	Grisley
			5,139,062	A	8/1992	Keller
			5,143,132	A	9/1992	Keller
			5,154,214	A	10/1992	Hagerman
			5,156,508	A	10/1992	Grisley
			5,174,693	A	12/1992	Lee et al.
			5,184,372	A *	2/1993	Mache 15/401
			5,199,477	A	4/1993	Keller
			5,203,389	A	4/1993	Goodwin
			D335,942	S *	5/1993	Furcron D32/32
			5,222,997	A	6/1993	Montgomery
			D342,747	S	12/1993	Garcia
			5,273,090	A	12/1993	Klemma
			5,284,331	A	2/1994	Lee et al.
			5,285,831	A	2/1994	Woolgar
			5,289,861	A	3/1994	Hedrick
			5,305,812	A	4/1994	Ferencsik
			D348,195	S	6/1994	Higgins et al.
			5,318,082	A	6/1994	Von Hollen
			5,325,899	A	7/1994	Kochling
			5,337,641	A	8/1994	Duginske
			5,345,983	A	9/1994	De Abreu
			5,396,937	A	3/1995	Clausen
			5,421,384	A	6/1995	Nuwordu
			5,423,357	A	6/1995	Szymanski
			5,423,360	A	6/1995	Taylor et al.
			5,452,751	A	9/1995	Engler, III et al.
			5,458,171	A	10/1995	Ward
			5,492,160	A	2/1996	McCracken
			5,494,089	A	2/1996	Lubbe
			5,513,437	A	5/1996	Whyte
			5,533,556	A	7/1996	Whitney
			5,562,208	A	10/1996	Hasler et al.
			5,564,483	A	10/1996	Sacchi
			5,584,328	A	12/1996	Grisley
			5,598,878	A	2/1997	Wirth, Jr. et al.
			5,617,909	A	4/1997	Duginske
			5,630,455	A	5/1997	Julien
			D381,480	S *	7/1997	Linville et al. D32/30
			5,647,707	A	7/1997	Poulin
			5,692,861	A	12/1997	Stottmann
			5,694,992	A	12/1997	Kikuchi
			5,694,994	A	12/1997	Engler, III et al.
			5,697,415	A	12/1997	Kozyrski et al.
			5,738,470	A	4/1998	Sugita
			5,738,966	A	4/1998	Okuno et al.
			5,779,407	A	7/1998	Tucker et al.
			5,807,033	A	9/1998	Benway
			5,809,631	A	9/1998	Poulin
			5,813,807	A	9/1998	Rogers
			5,816,300	A	10/1998	Rogers
			5,823,239	A	10/1998	Smith
			5,832,977	A	11/1998	Hampton
			5,853,035	A	12/1998	Rose
			5,862,848	A	1/1999	Beall
			5,868,183	A	2/1999	Kozyrski et al.
			D407,094	S *	3/1999	Meredith et al. D15/133
			5,893,402	A	4/1999	Darling
			5,908,061	A	6/1999	Blichmann
			5,918,652	A	7/1999	Tucker
			5,931,208	A	8/1999	Gifkins
			6,012,497	A	1/2000	Stottmann
			6,032,706	A	3/2000	Lear
			6,039,095	A	3/2000	Newman
			6,041,837	A	3/2000	Hanson
			6,061,921	A	5/2000	Adams et al.
3,301,287	A	1/1967	Edwards			
3,424,450	A	1/1969	Atkins			
3,442,309	A	5/1969	Jentsch			
3,450,001	A	6/1969	Fortune			
3,700,344	A	10/1972	Grumbach			
3,709,088	A	1/1973	Pitzer			
3,800,840	A	4/1974	McCord, Jr.			
D232,298	S *	8/1974	Parise D32/32			
3,834,435	A	9/1974	McCord, Jr.			
3,841,368	A	10/1974	Ritter			
D242,211	S *	11/1976	Parise D32/32			
D242,212	S *	11/1976	Parise et al. D32/32			
D246,523	S *	11/1977	Bartlett D32/32			
4,093,394	A	6/1978	Adams			
4,095,633	A	6/1978	Kimball et al.			
4,127,153	A	11/1978	Cipollone			
4,163,465	A	8/1979	Strong			
4,168,730	A	9/1979	Keller			
D255,359	S *	6/1980	Bartlett D32/32			
4,281,694	A	8/1981	Gorman			
4,319,615	A	3/1982	Ditmanson			
4,373,562	A	2/1983	Vernon			
4,382,728	A	5/1983	Anderson et al.			
4,403,534	A	9/1983	Altendorf et al.			
4,405,004	A	9/1983	Dicke			
4,428,408	A	1/1984	Grisley			
4,438,977	A	3/1984	Chapel			
4,445,277	A	5/1984	Keefe			
4,462,440	A	7/1984	Dolfi			
4,478,264	A	10/1984	Miller et al.			
4,479,523	A	10/1984	Peterson et al.			
4,498,245	A	2/1985	Mayor			
4,542,776	A	9/1985	Kehoe			
4,575,059	A	3/1986	Blaine			
4,593,735	A	6/1986	Wirth, Jr.			
4,595,040	A	6/1986	Glisman			
4,603,717	A	8/1986	Thomas			
4,607,434	A	8/1986	Francis			
4,630,656	A	12/1986	Collins			
4,630,657	A	12/1986	Obradovich			
4,644,985	A	2/1987	Weaver			
4,648,433	A	3/1987	Wolff			
D289,337	S *	4/1987	Fitzwater D32/32			
4,655,445	A	4/1987	Morse			
4,693,288	A	9/1987	Buechele et al.			
D292,407	S *	10/1987	Legler et al. D15/133			
4,735,531	A	4/1988	Boerckel et al.			
4,750,536	A	6/1988	Grisley			
4,763,706	A	8/1988	Rice et al.			
4,763,707	A	8/1988	Hounshell			
4,776,374	A	10/1988	Charlebois			
4,787,430	A	11/1988	Miyamoto			
4,787,432	A	11/1988	Williams			
4,805,505	A	2/1989	Cantlin			
4,809,755	A	3/1989	Pontikas			
4,843,728	A	7/1989	Francis			
4,850,763	A	7/1989	Jack et al.			
4,860,809	A	8/1989	Cotton et al.			
4,863,151	A	9/1989	Justesen			
D306,506	S *	3/1990	Houser D32/33			
4,905,745	A	3/1990	Jaeger			
4,911,213	A	3/1990	Le Bleu			
4,930,221	A	6/1990	Taylor			
4,934,422	A	6/1990	Hempy et al.			
4,942,912	A	7/1990	Gakhar et al.			
4,965,943	A	10/1990	Adams			
4,965,966	A	10/1990	Braasch			
4,966,507	A	10/1990	Hanks			
4,977,938	A	12/1990	Greeson			
4,995,435	A	2/1991	Godfrey			
5,016,691	A	5/1991	Bernier			

US D573,615 S

6,065,913	A	5/2000	Rogers	
6,068,036	A	5/2000	Cassidy	
6,076,575	A	6/2000	Harkness	
6,116,303	A	9/2000	Hampton	
6,116,826	A	9/2000	Benway	
6,138,372	A	10/2000	Newman	
6,148,879	A	11/2000	Liao	
6,158,487	A	12/2000	Licari	
6,182,371	B1	2/2001	Newman	
6,206,060	B1	3/2001	Blake	
6,289,956	B1	9/2001	Shriver	
6,315,017	B1	11/2001	Stottmann	
6,357,194	B1	3/2002	Jones, Jr.	
6,363,982	B1	4/2002	Nixon, Jr.	
6,374,878	B1	4/2002	Mastley et al.	
6,401,772	B1	6/2002	Beitl	
6,470,930	B1	10/2002	Stottmann	
6,499,224	B1	12/2002	Asick	
6,516,842	B1	2/2003	Chang	
6,588,468	B1	7/2003	Tucker et al.	
6,607,016	B2	8/2003	Jones	
D481,402	S	10/2003	Jenkins et al.	
6,675,849	B1	1/2004	Lackley	
6,679,659	B1	1/2004	Lasch et al.	
6,705,810	B1	3/2004	Sugita	
6,736,173	B1	5/2004	Grisley et al.	
RE38,612	E	10/2004	Tucker et al.	
6,799,615	B2	10/2004	Smith	
6,834,730	B2	12/2004	Gass et al.	
6,851,900	B2	2/2005	Tillemans et al.	
6,899,152	B2	5/2005	Godfrey	
6,926,477	B2	8/2005	Allemann et al.	
D538,986	S *	3/2007	Ingram	D32/32
2001/0011564	A1	8/2001	Darling	
2002/0066497	A1	6/2002	Froggatt	
2003/0041709	A1	3/2003	Jones	
2003/0073395	A1	4/2003	Faccin et al.	
2003/0145705	A1	8/2003	Miller	
2003/0159758	A1	8/2003	Smith	
2003/0172993	A1	9/2003	Godfrey	
2003/0196726	A1	10/2003	Tucker et al.	
2003/0230359	A1	12/2003	Schroeder	
2004/0050451	A1	3/2004	Dahlhoff	
2004/0126197	A1	7/2004	Allemann et al.	
2004/0149112	A1	8/2004	Snell	
2004/0206865	A1	10/2004	Chang	
2004/0250880	A1	12/2004	Dement	
2005/0022899	A1	2/2005	Chang	
2005/0056344	A1	3/2005	Freidlund	
2005/0056345	A1	3/2005	Duginske	
2005/0115639	A1	6/2005	Bagnall	
2005/0161357	A1	7/2005	Allan et al.	
2005/0236069	A1	10/2005	O'Brien	
2006/0138722	A1	6/2006	Webster et al.	
2006/0283524	A1 *	12/2006	McDaniel et al.	144/144.51

FOREIGN PATENT DOCUMENTS

DE 3430496 A1 2/1986

DE	3517146	A1	11/1986
DE	4016834	A1	11/1991
DE	4403534	A1	8/1995
DE	19715422	A1	10/1998
DE	19715424	A1	10/1998
EP	0320869	A2	12/1987
FR	2843167	A1	7/2003
GB	2238752	A	6/1991
WO	WO 02/057058	A2	7/2005

OTHER PUBLICATIONS

Vermont American, Dovetail Fixture Kit, Owner's Manual Model No. 23460, Feb. 1996, USA.

Fusso Machinery Corp., Easy-to-Operate dovetail Machine, http://fusso.trustpass.alibaba.com/product/10770195/Easy_to_Operate_Dovetail_Machine.html, p. 2-3, (printed Nov. 17, 2005).

Akeda DC User Manual, © 2002-2005 Akeda Jigs Incorporated; Akeda Candada, P.O. Box 700, The Old Laughing Creek Steam Works, Brackendale BC, V0N 1H0, Canada; www.akeda.com; 26 pages.

Porter-Cable, Instruction Manual, Dovetail Jig, Models 4210 & 4212, May 27, 2005.

Porter-Cable, OMNIJIG Dovetail Machine, parts List for 5116 Type 1, © 2005.

One (1) image of Porter-Cable Model 517, Lock Face Templet; Porter-Cable Corporaton, 4825 Highway 45 North, Jackson, TN 38305; Porter-Cable Catalog, PC-912, p. 137, 1995; 1 page.

Two (2) images of Porter-Cable Model 59381, Hinge Butt Templet; Porter-Cable Corporation, 4825 Highway 45 North, Jackson, TN 38305; 2 pages.

Three (3) images of Modern Woodworking by Willis H. Wagner; Illustrating use of Rockwell Model 521, Stair Templet With Clamp Devices; © 1980 The Goodheart-Wilcox Co., Inc., pp. 252-253; 3 pages.

Trend MT Jig Review, http://benchmark.20m.com/reviews/Trend/MortiseJig/TrendMT_Jig_Review.html; Nov. 09, 2005; 5 pages.

Leigh Versus Akeda Dovetail Jig, <http://benchmark.20m.com/articles/LeighVersusAkeda.html>; Nov. 09, 2005; 8 pages.

Katie Jig System brochure; Hampton House Inc., P.O. Box 7103, Greenwood, IN 46142-6421; <http://www.katijig.com/KJ8PG.pdf>; U.S. Patent Nos. 5,832,977 and 6,6116,303; Nov. 09, 2005; 34 pages.

The Katie Jig Manual, © 1997-2000 Hampton House, Inc. Hampton House Inc., P.O. Box 7103, Greenwood, IN 46142-6421; <http://www.katijig.com>; U.S. Patent No. 5,832,977; Nov. 09, 2005; 34 pages.

Porter-Cable Dovetail Machine, Parts List; Model 4112; Parts List No. 900488-0011; © 2000 Porter-Cable Corporation, 4825 Highway 45 North, Jackson, TN 38305; 1 page.

Porter-Cable Dovetail Fixture/Jig Instruction Manual, Model 4112; part No. 900487-09-12-03; © 2003 Porter-Cable Corporation, 4825 Highway 45 North, Jackson, TN 38305; 15 pages.

Porter-Cable Omnijig Dovetail Machine Parts List; Model 7116; Parts List No 876389-002; © 2000 Porter-Cable Corporation, 4825 Highway 45 North, Jackson, TN 38305; 3 pages.

* cited by examiner

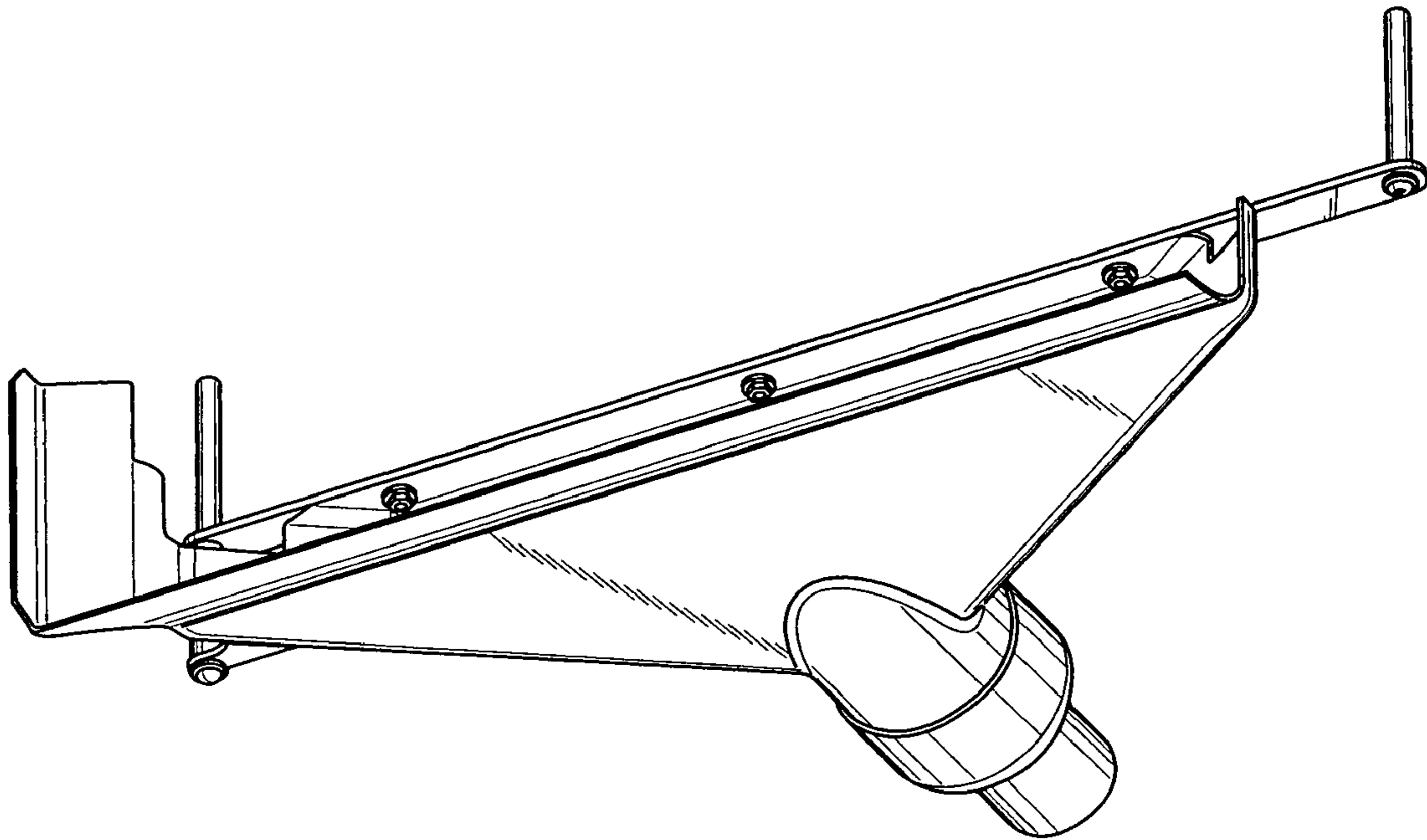


Fig. 1

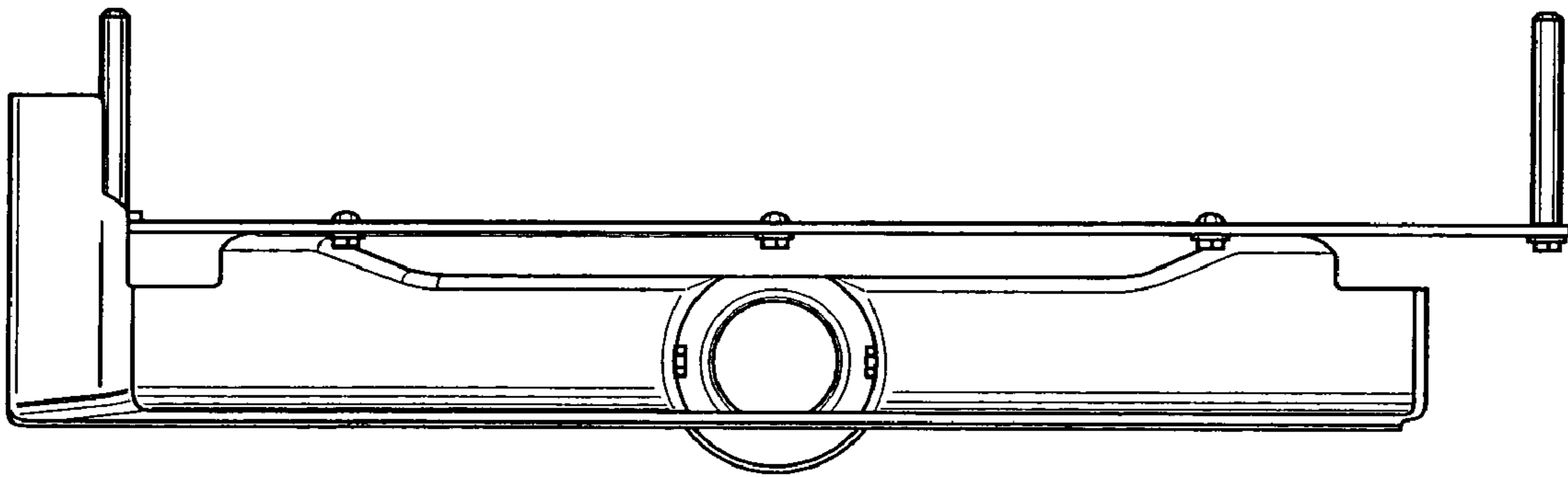


Fig. 2

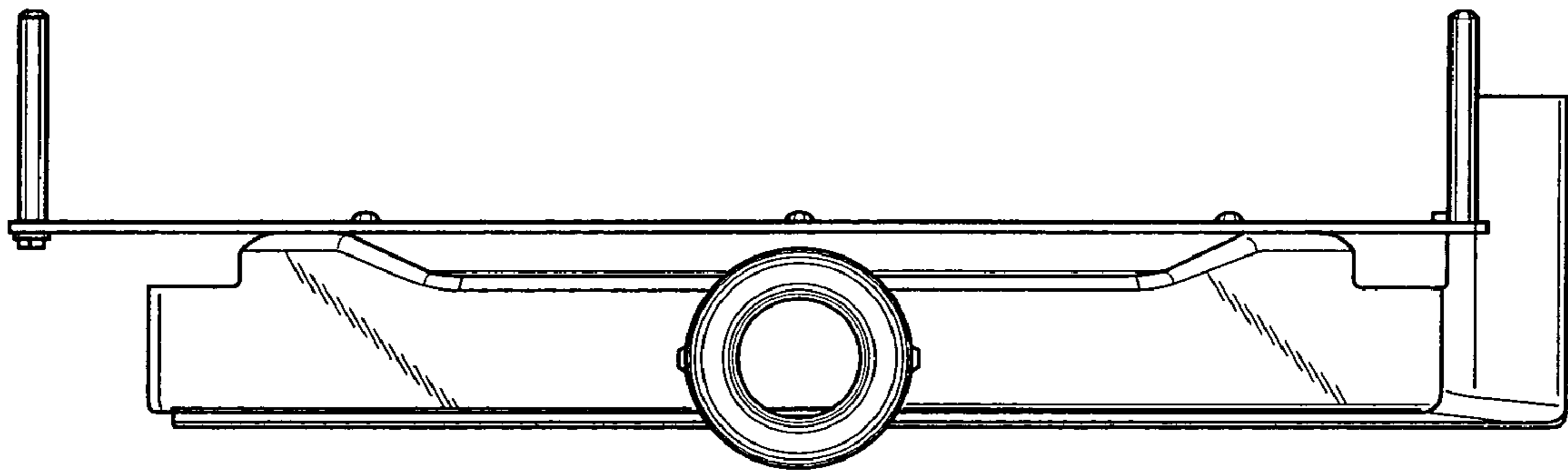


Fig. 3

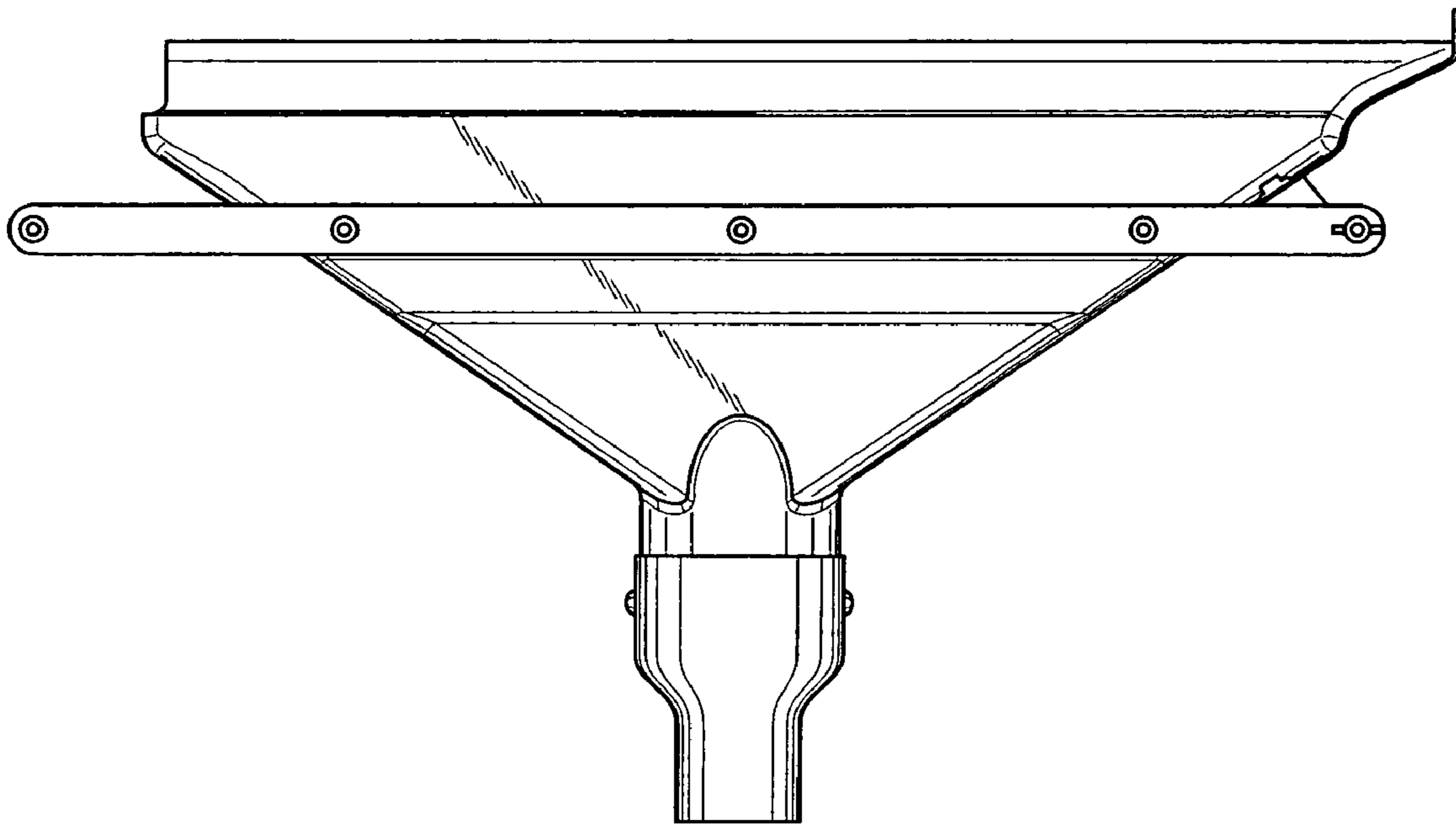


Fig. 4

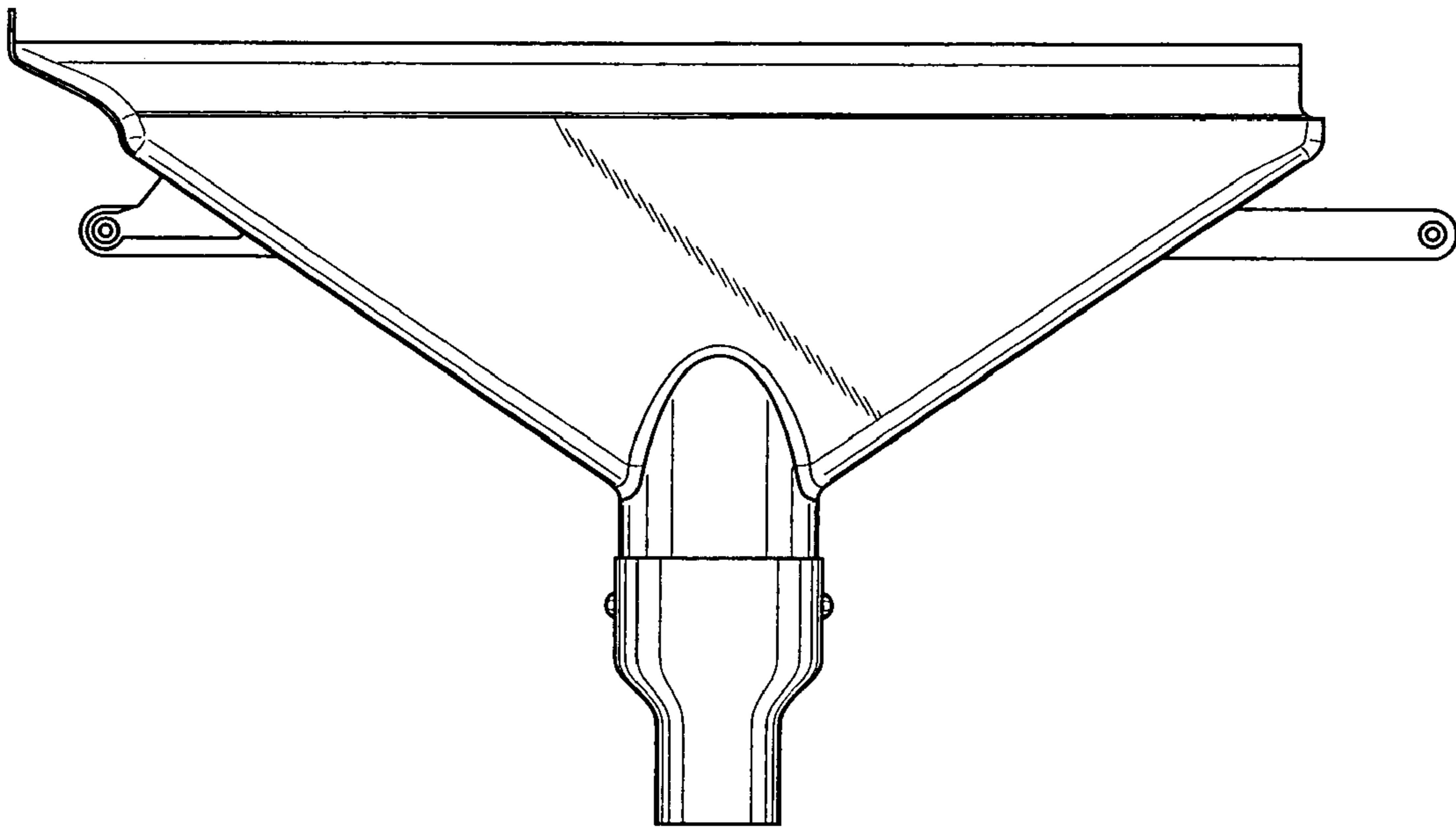


Fig. 5

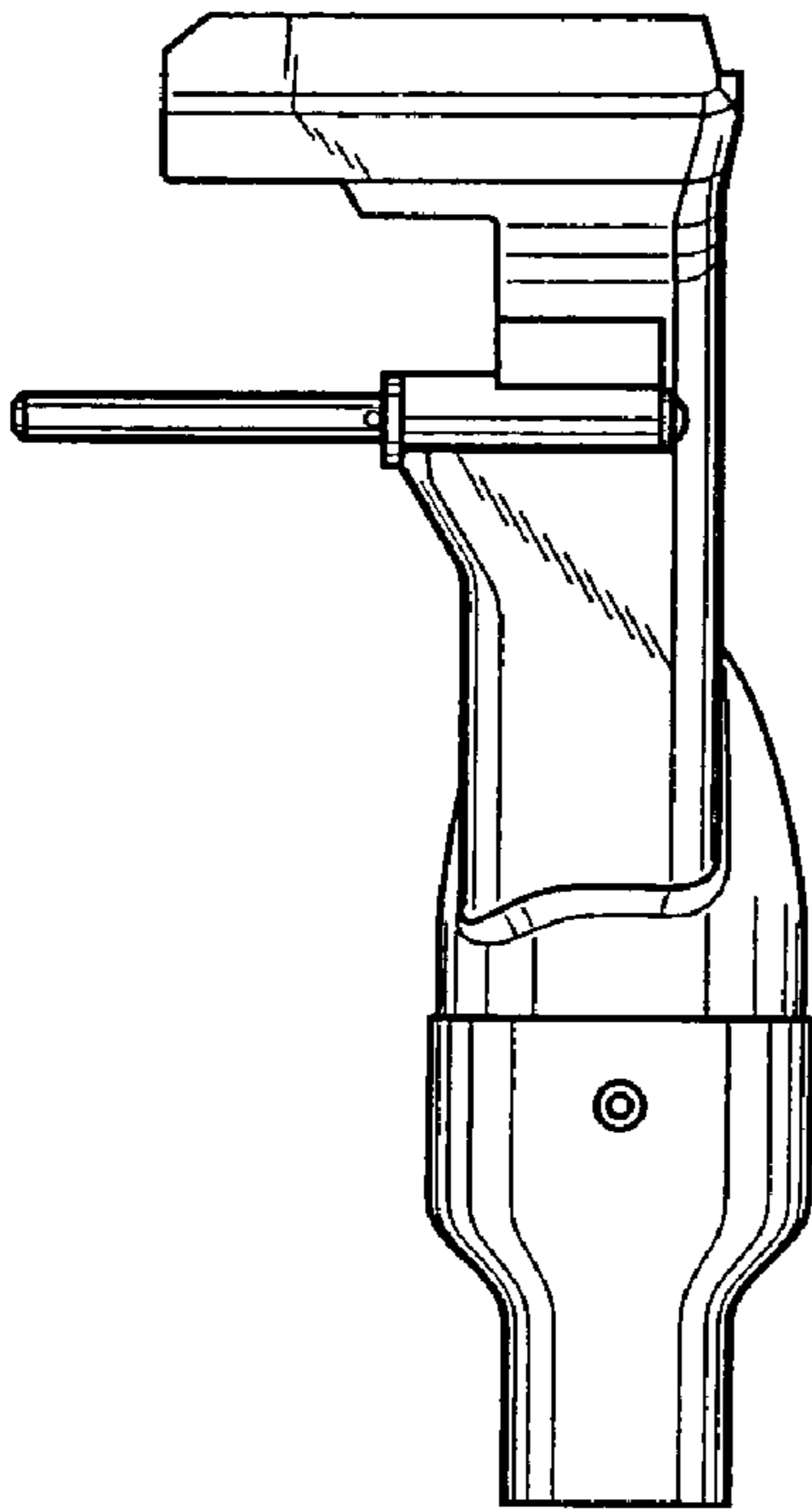


Fig. 6

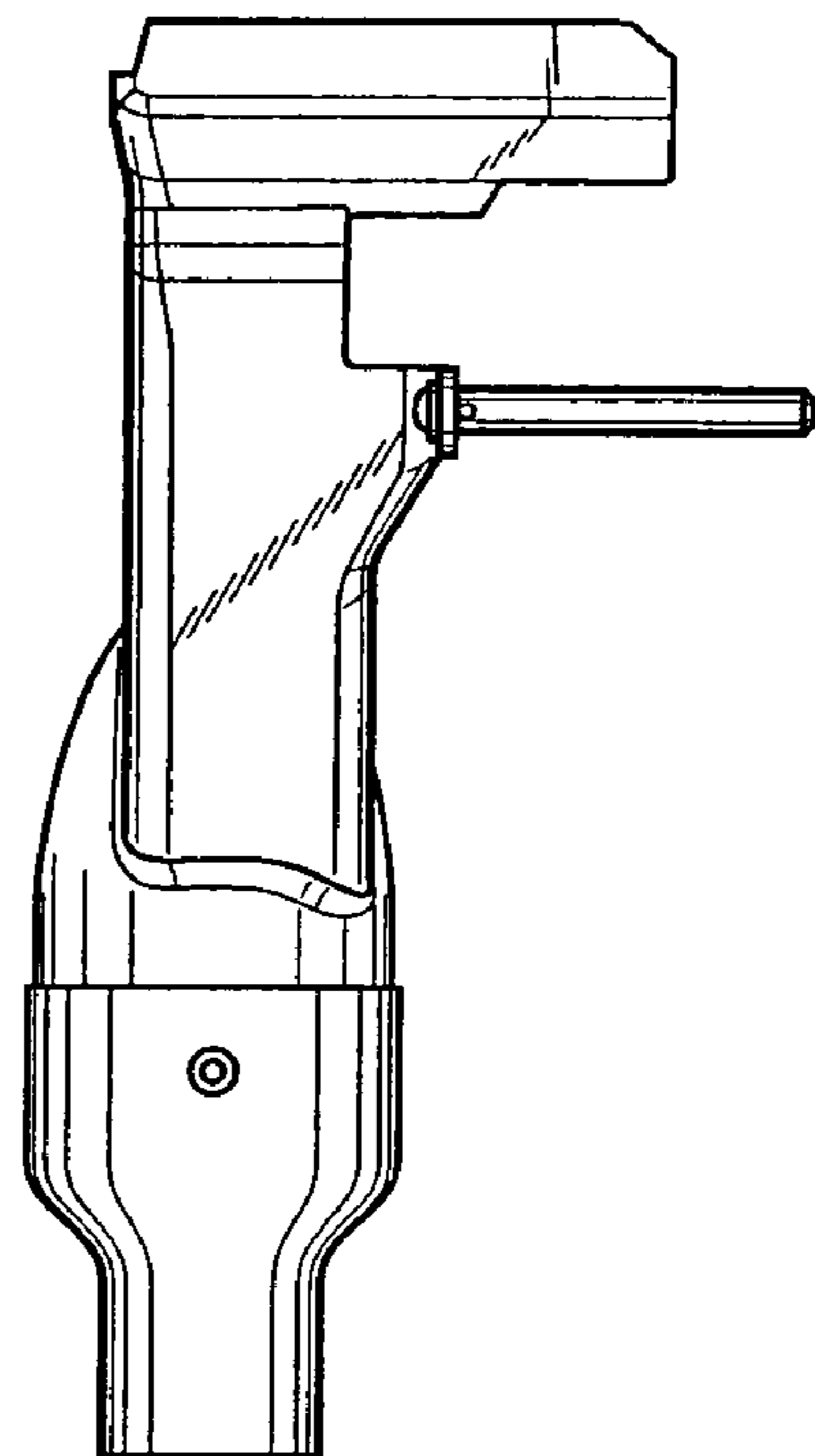


Fig. 7