



US00D573611S

(12) **United States Design Patent**
Geier

(10) **Patent No.:** **US D573,611 S**
(45) **Date of Patent:** **** Jul. 22, 2008**

(54) **ROLLER**

(75) Inventor: **Daniel S. Geier**, Colgate, WI (US)

(73) Assignee: **Wacker Corporation**, Menomonee Falls, WI (US)

(**) Term: **14 Years**

(21) Appl. No.: **29/284,636**

(22) Filed: **Sep. 12, 2007**

(51) **LOC (8) Cl.** **15-03**

(52) **U.S. Cl.** **D15/20; D15/22**

(58) **Field of Classification Search** D15/10,
D15/20, 22, 23; D12/14, 86; 404/122, 125,
404/124, 128; 172/115; 296/190.08, 190.01,
296/190.1, 193.01, 193.03, 193.05, 193.08;
405/271; 180/20, 89.12

See application file for complete search history.

(56) **References Cited**

U.S. PATENT DOCUMENTS

D148,292 S *	1/1948	Essick	D15/20
D185,841 S *	8/1959	Schertzer	D15/20
D194,350 S *	1/1963	Peterson	D15/20
3,298,292 A *	1/1967	Wylie	404/122
D207,532 S *	5/1967	Garis	D15/20
D208,694 S *	9/1967	Harbke	D15/20
D208,926 S *	10/1967	Dice	D15/20
D224,781 S *	9/1972	Herbst	D15/20

4,260,280 A *	4/1981	Hirn et al.	404/122
D275,678 S *	9/1984	Mawhorr et al.	D15/20
D396,431 S *	7/1998	Lindgren et al.	D12/14
D396,727 S *	8/1998	Geier et al.	D15/20
D454,141 S *	3/2002	Geier et al.	D15/20
D461,197 S *	8/2002	Geier et al.	D15/20
6,827,524 B2 *	12/2004	Starry et al.	404/129
D516,094 S *	2/2006	Dotsch et al.	D15/20

* cited by examiner

Primary Examiner—Stella M. Reid

Assistant Examiner—Mark A Goodwin

(74) *Attorney, Agent, or Firm*—Boyle Fredrickson S.C.

(57) **CLAIM**

The ornamental design for a roller, as shown and described.

DESCRIPTION

FIG. 1 is a front top left perspective view of a roller showing my new design;

FIG. 2 is a left side elevation view thereof, with the right side being a mirror image thereof;

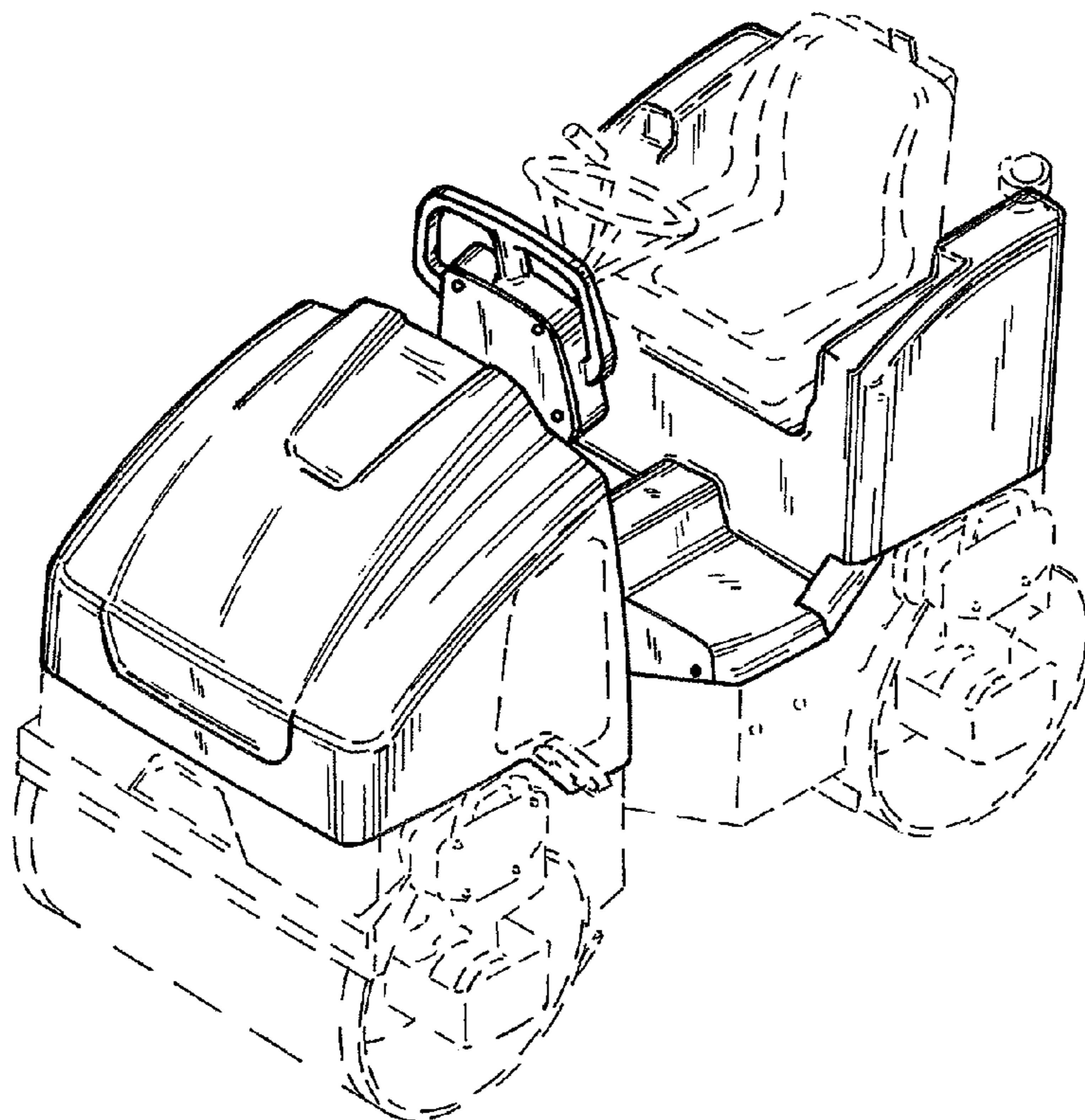
FIG. 3 is a top plan view thereof;

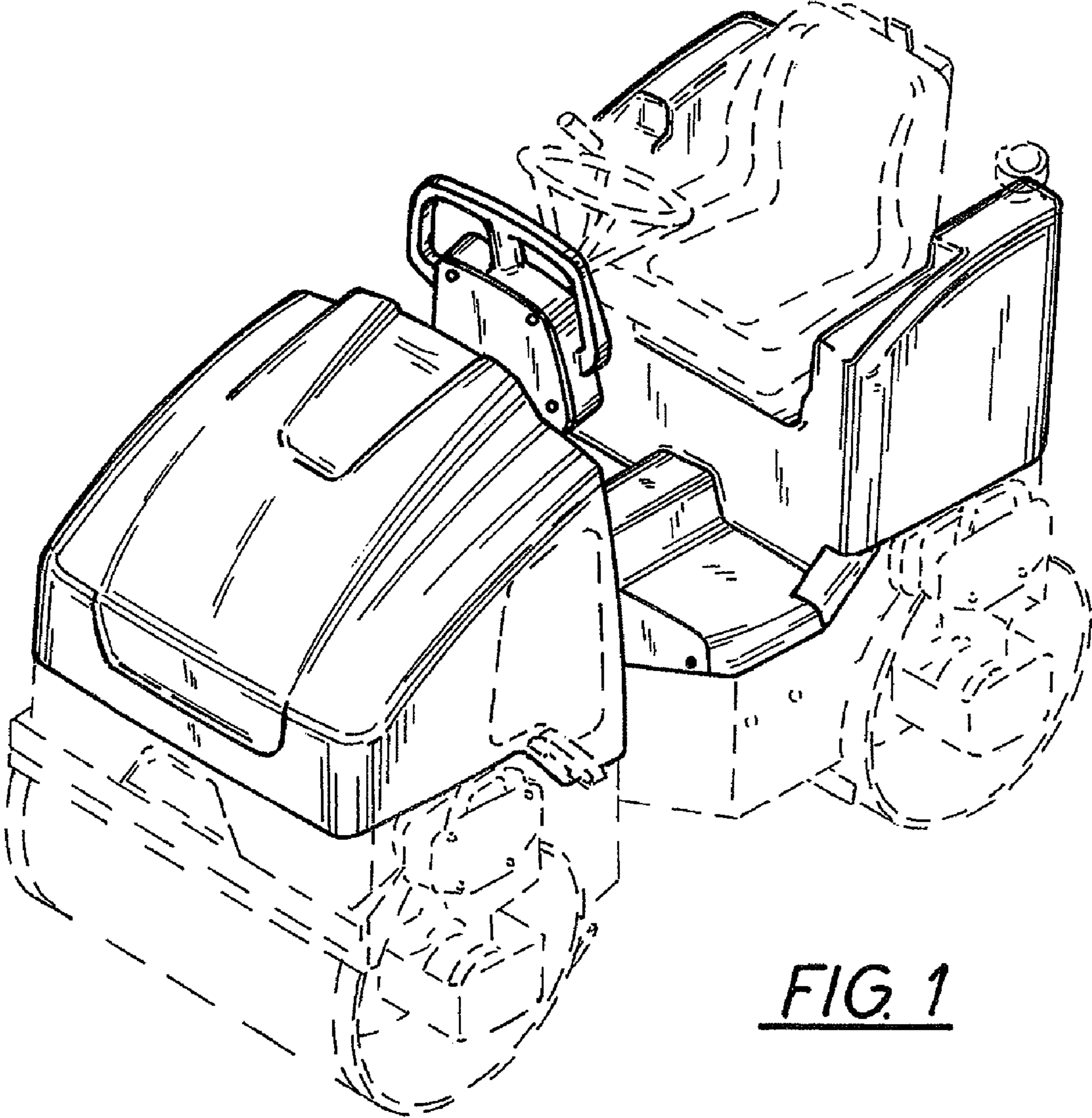
FIG. 4 is a front elevation view thereof; and,

FIG. 5 is a rear elevation view thereof.

The broken lines in FIGS. 1–5 show the environmental structure only and form no part of the claimed design.

1 Claim, 5 Drawing Sheets





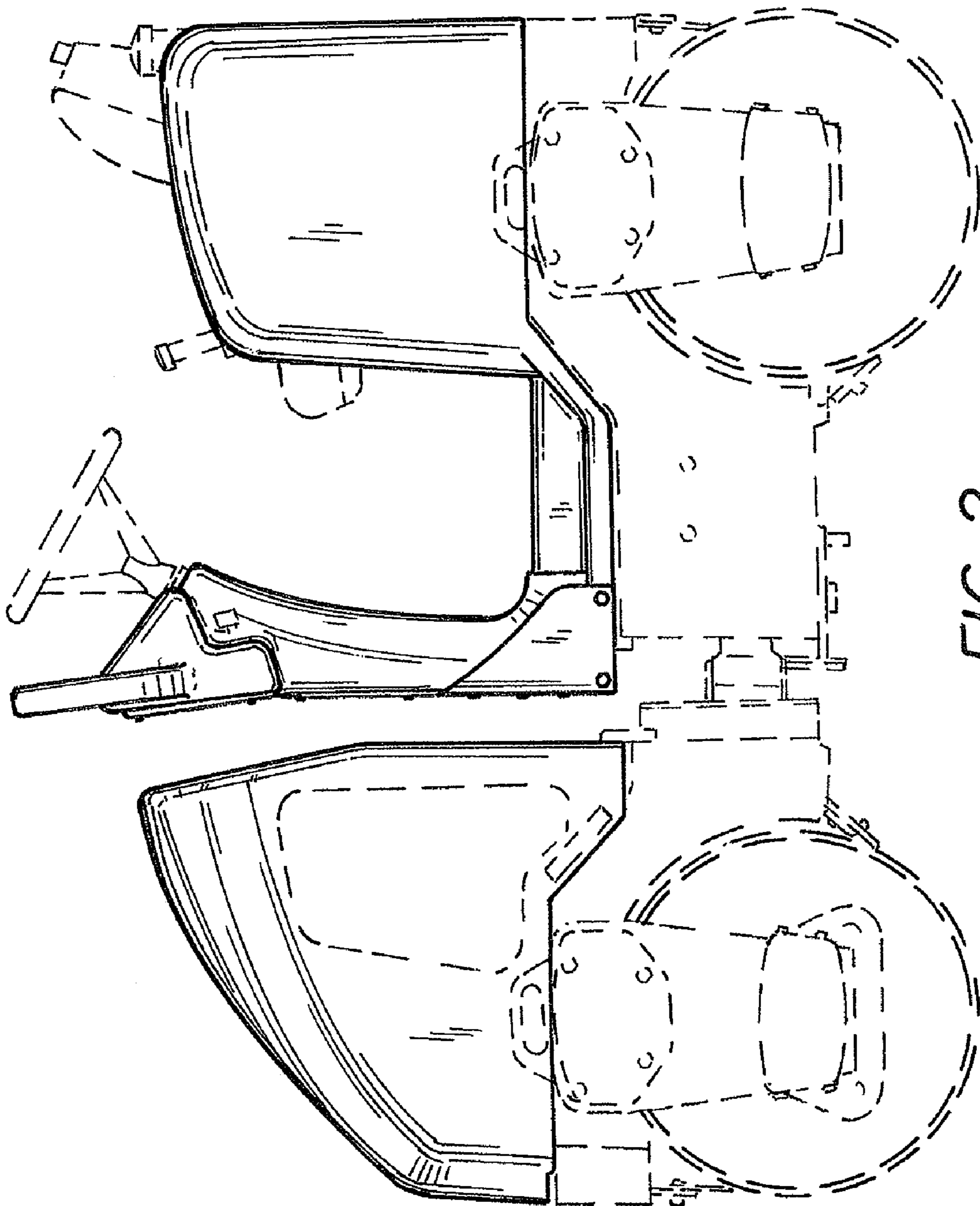


FIG. 2

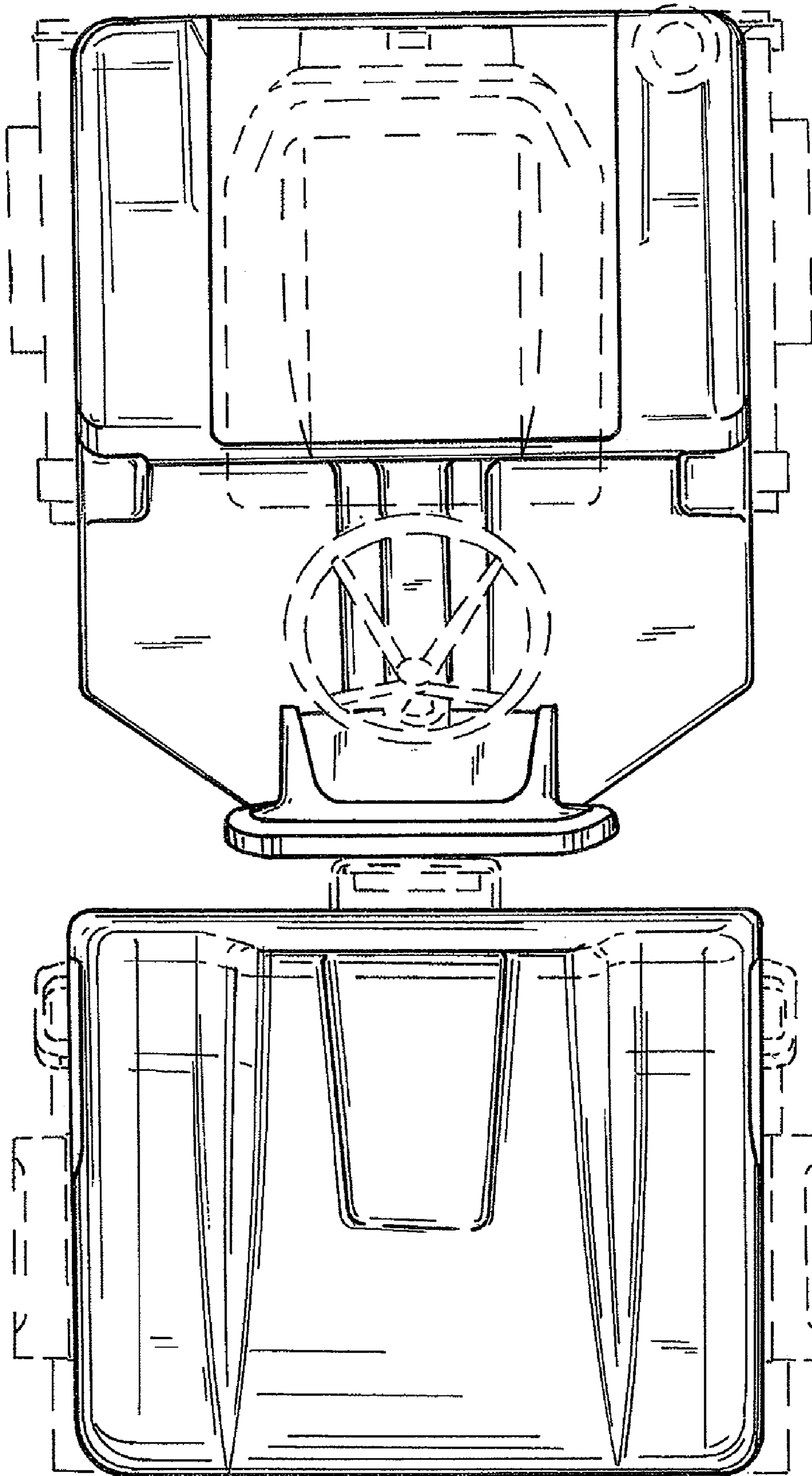


FIG. 3

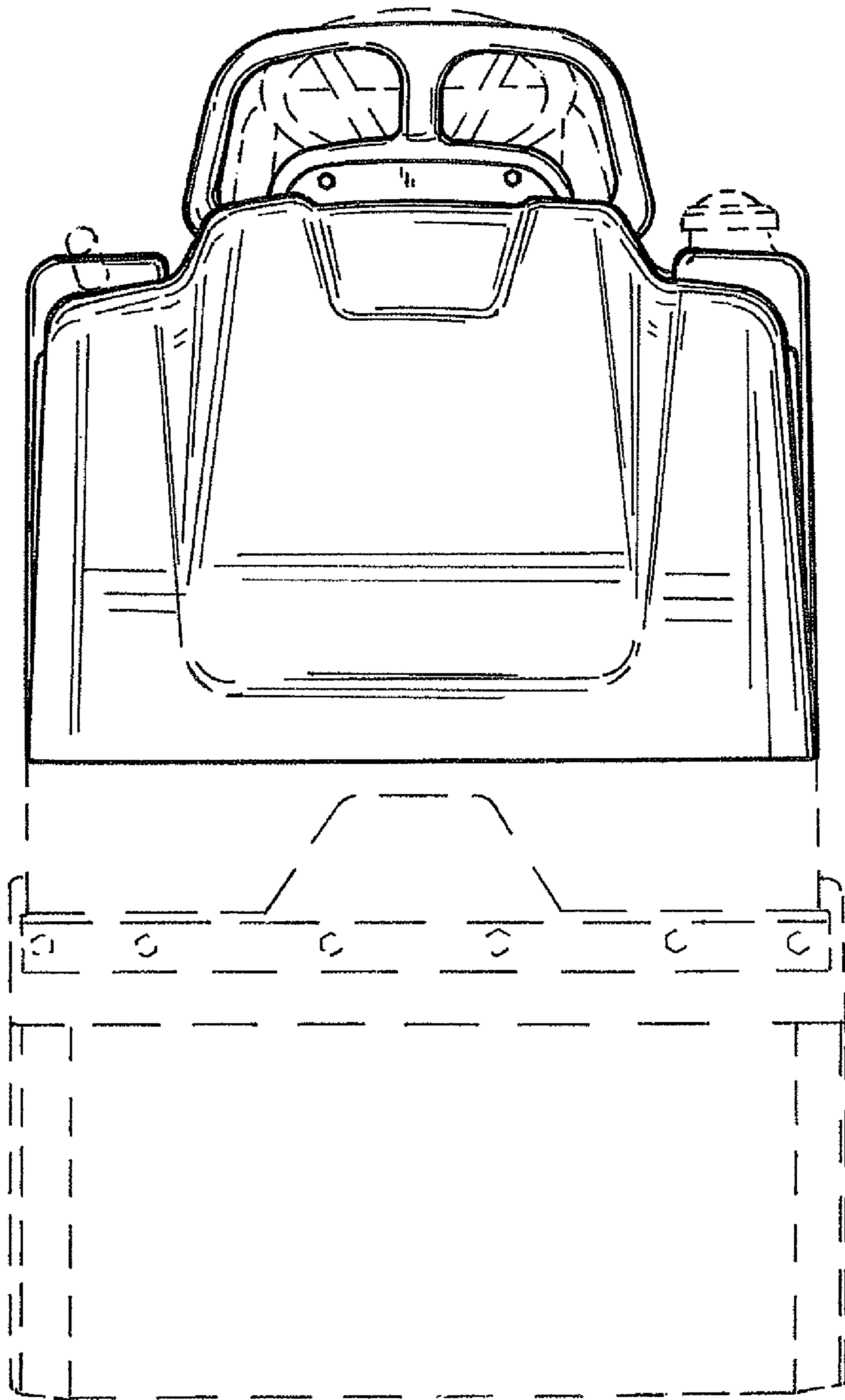


FIG. 4

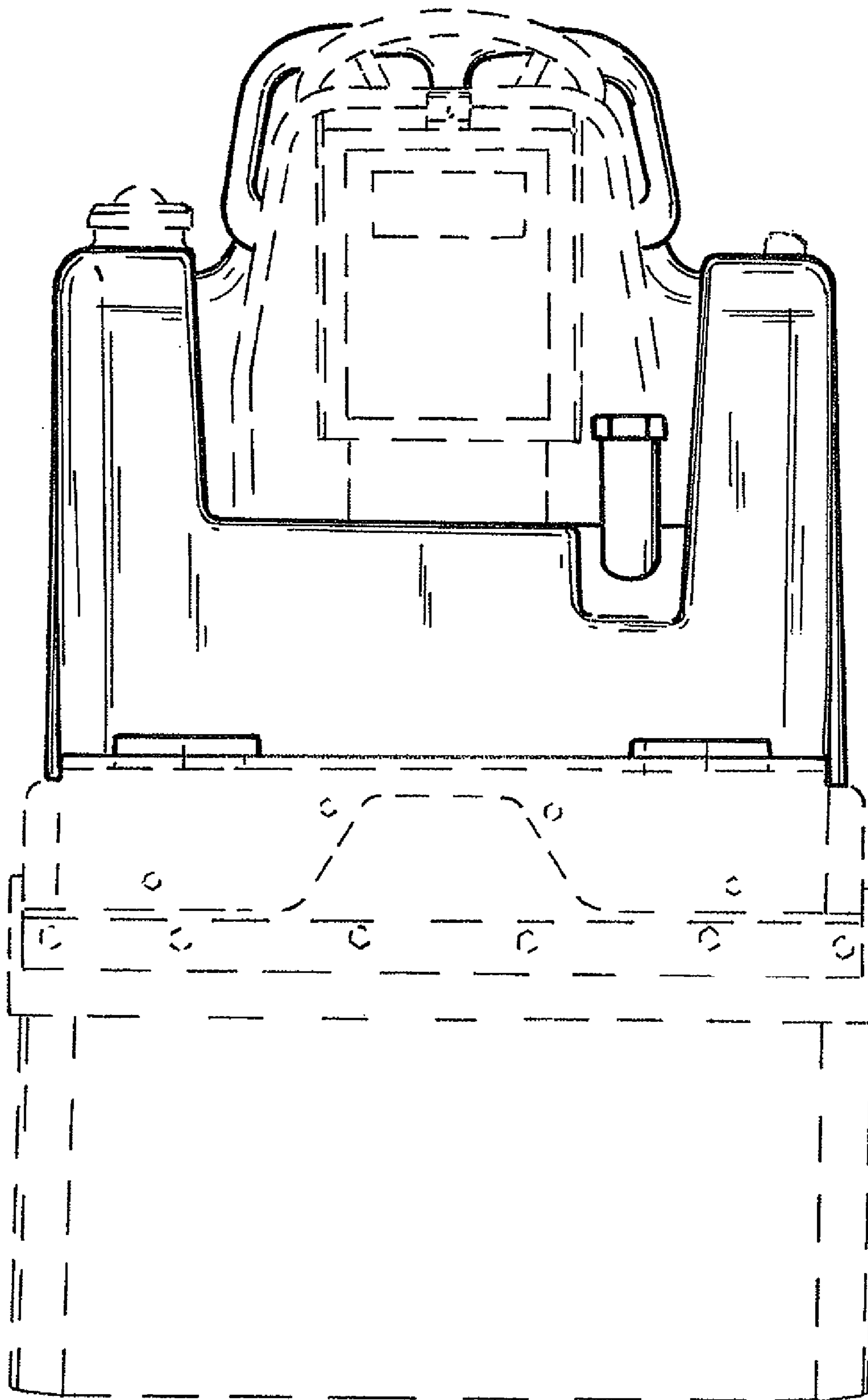


FIG. 5