



US00D573610S

(12) **United States Design Patent**  
**Abramson**

(10) **Patent No.:** **US D573,610 S**  
(45) **Date of Patent:** **\*\* Jul. 22, 2008**

(54) **ROBOTIC LAWNMOWER DECK**

(75) Inventor: **Shai Abramson**, Har-Halutz (IL)

(73) Assignee: **F Robotics Acquisitions Ltd.**, Kadima (IL)

(\*\*) Term: **14 Years**

(21) Appl. No.: **29/278,036**

(22) Filed: **Mar. 16, 2007**

(51) **LOC (8) Cl.** ..... **15-03**

(52) **U.S. Cl.** ..... **D15/14; D15/199**

(58) **Field of Classification Search** ..... D15/14,  
D15/17, 18, 199; D32/21; 56/11.9, 12.8,  
56/13.4, 16.7, 202, 255, 294, 295, 320.1,  
56/320.2; 180/89.1, 89.12, 900  
See application file for complete search history.

(56) **References Cited**

**U.S. PATENT DOCUMENTS**

6,470,663 B2 \* 10/2002 Langworthy et al. .... 56/320.2  
6,658,831 B2 \* 12/2003 Velke et al. .... 56/14.7  
2003/0010008 A1 \* 1/2003 Atterbury et al. .... 56/16.7

\* cited by examiner

*Primary Examiner*—Sandra Snapp  
*Assistant Examiner*—Patricia Palasik  
(74) *Attorney, Agent, or Firm*—Lathrop & Gage LC

(57) **CLAIM**

The ornamental design for a robotic lawnmower deck, as shown and described.

**DESCRIPTION**

FIG. 1 is a perspective view of a robotic lawnmower deck, showing the new design;

FIG. 2 is a top view thereof;

FIG. 3 is a right side view thereof;

FIG. 4 is a front view thereof;

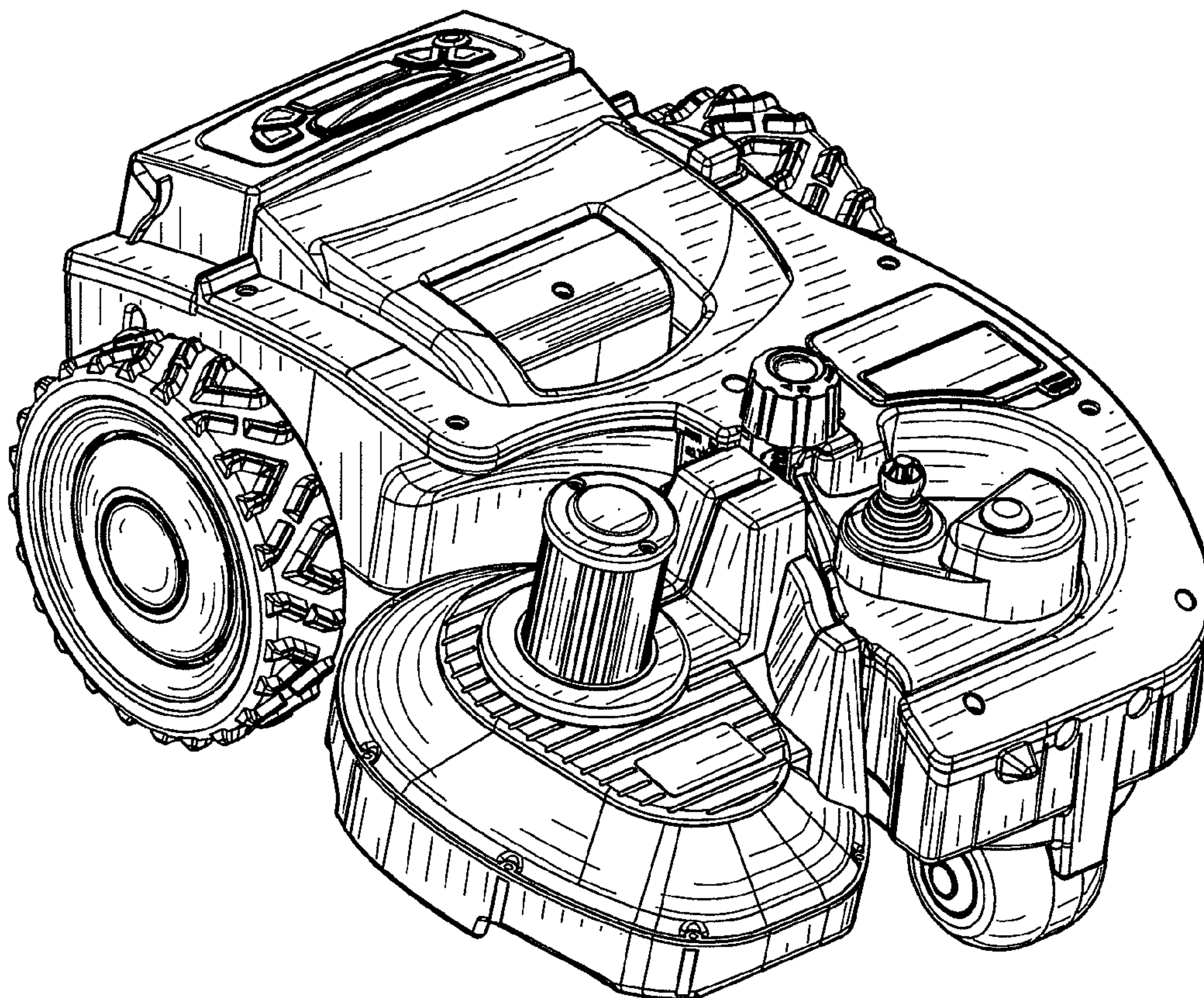
FIG. 5 is a back view thereof;

FIG. 6 is a left side view thereof; and,

FIG. 7 is a bottom view thereof.

The broken lines in FIG. 7 are included for the purpose of illustrating portions of the robotic lawnmower deck and form no part of the claimed design.

**1 Claim, 4 Drawing Sheets**



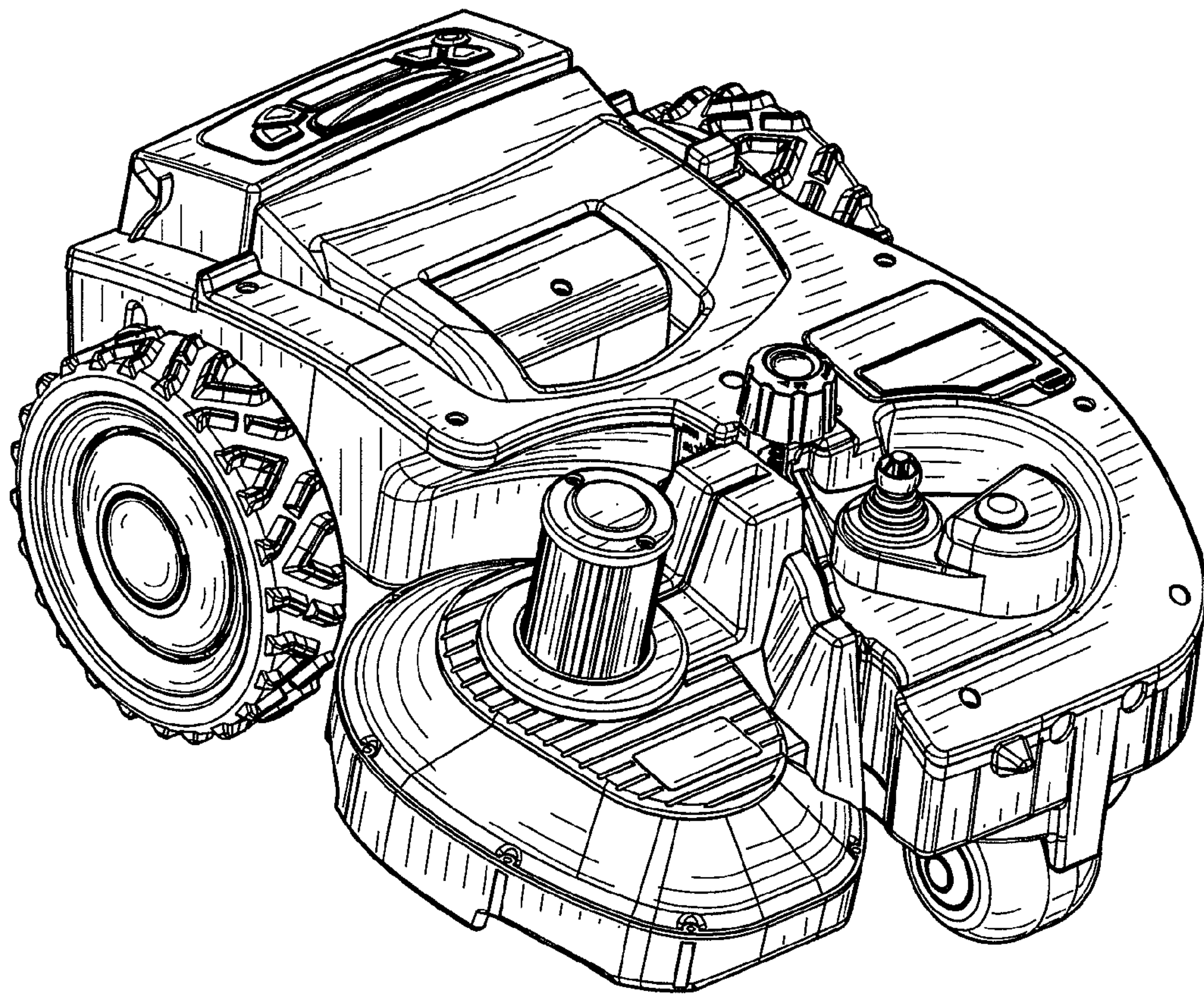


FIG.1



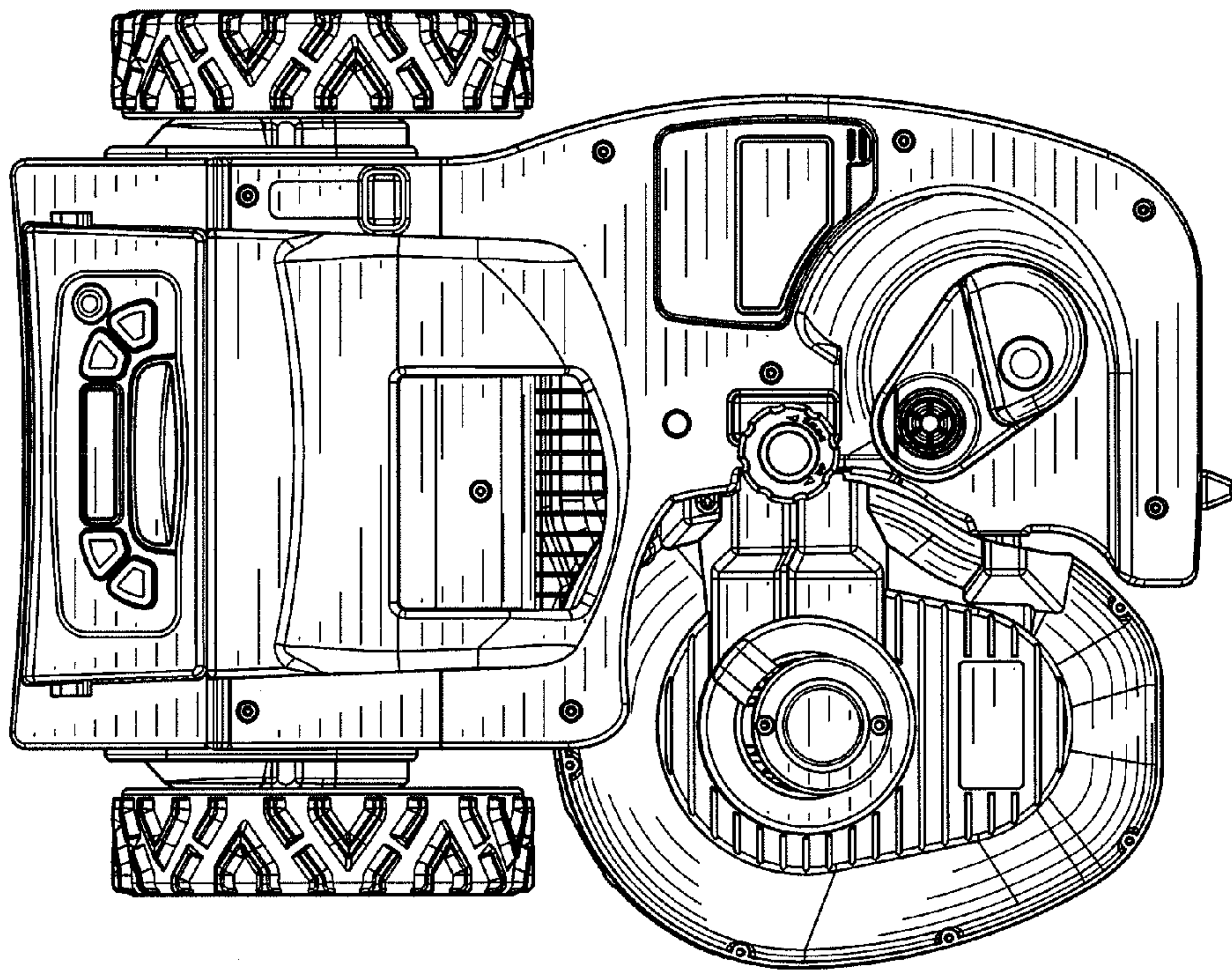


FIG. 2

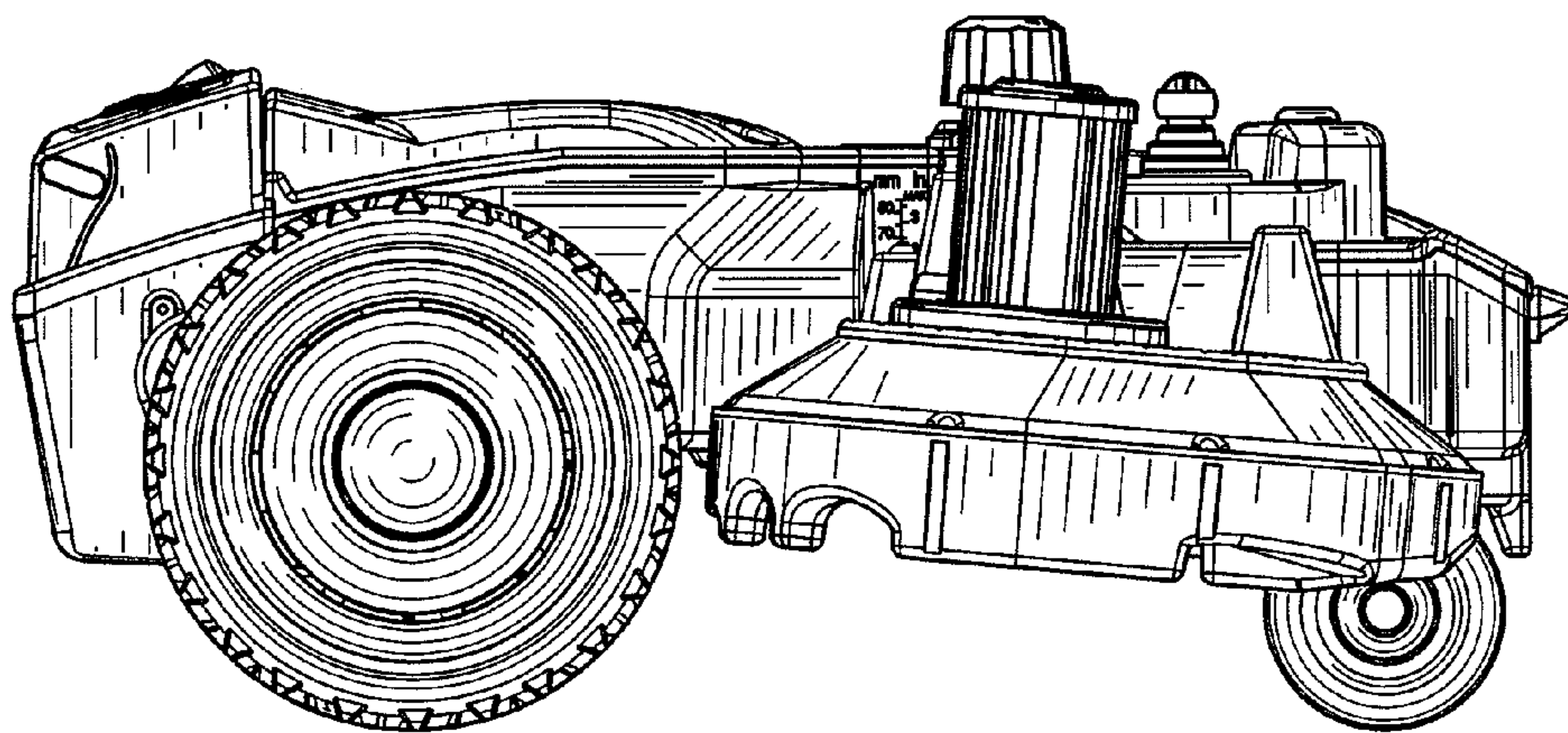


FIG. 3

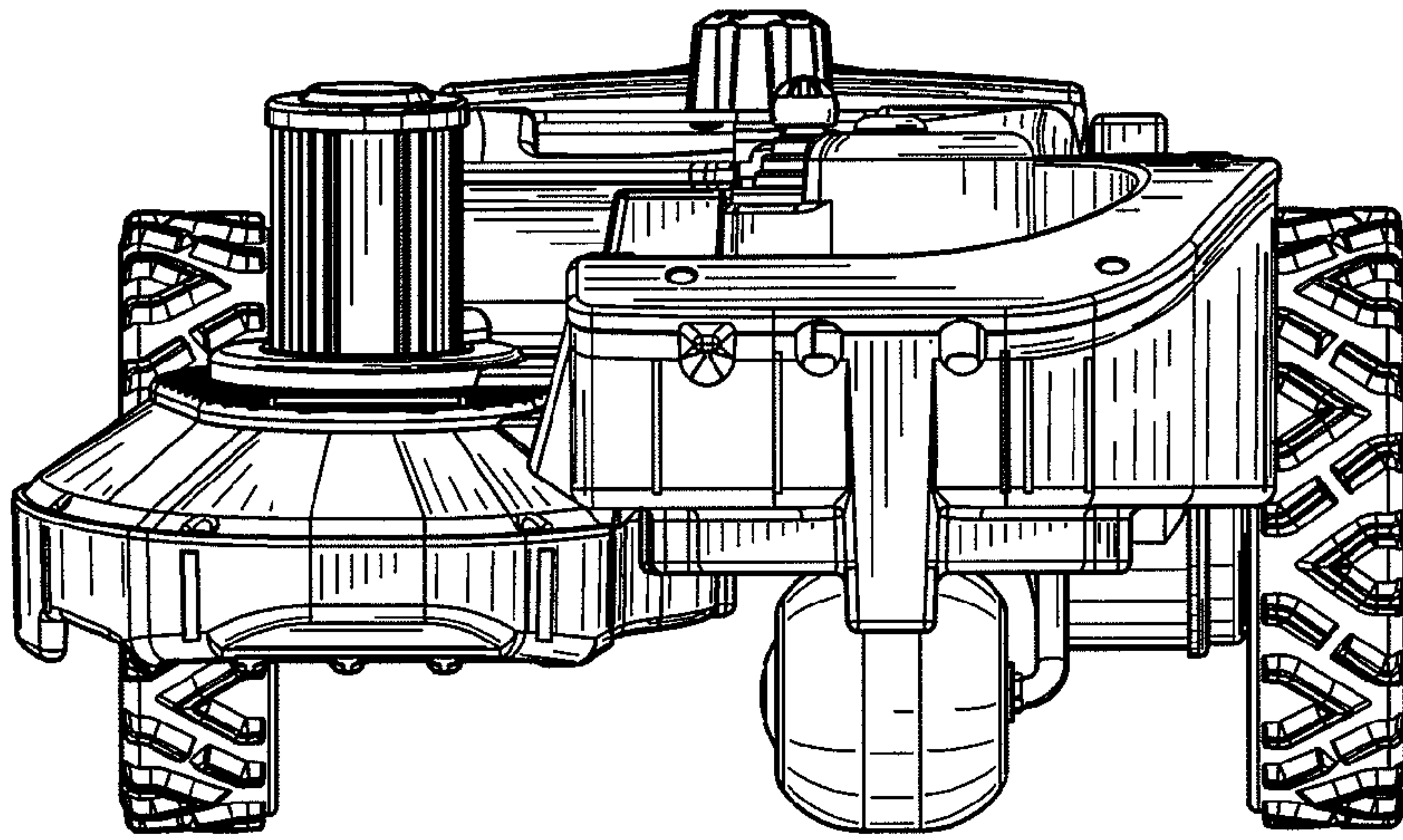


FIG. 4

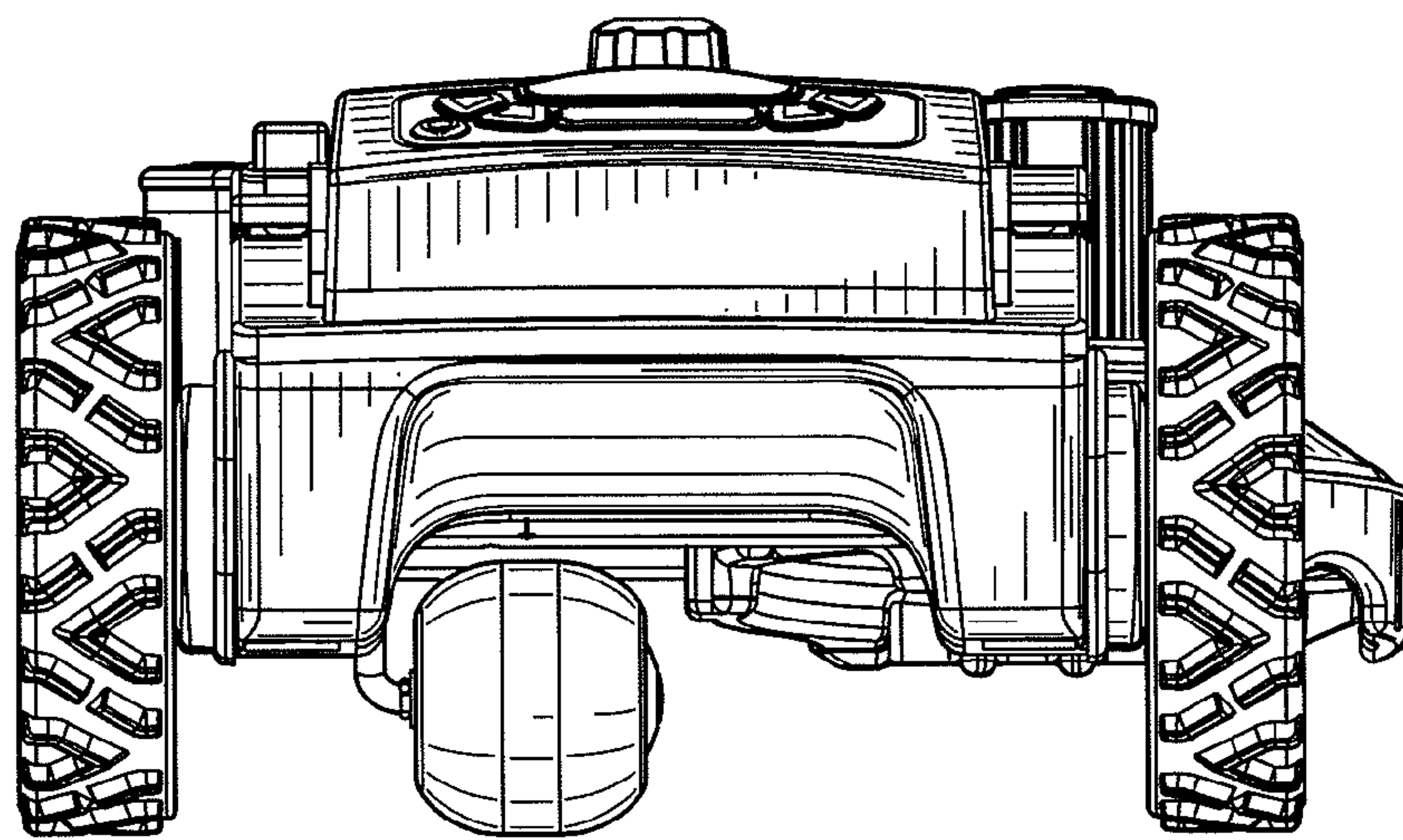


FIG. 5



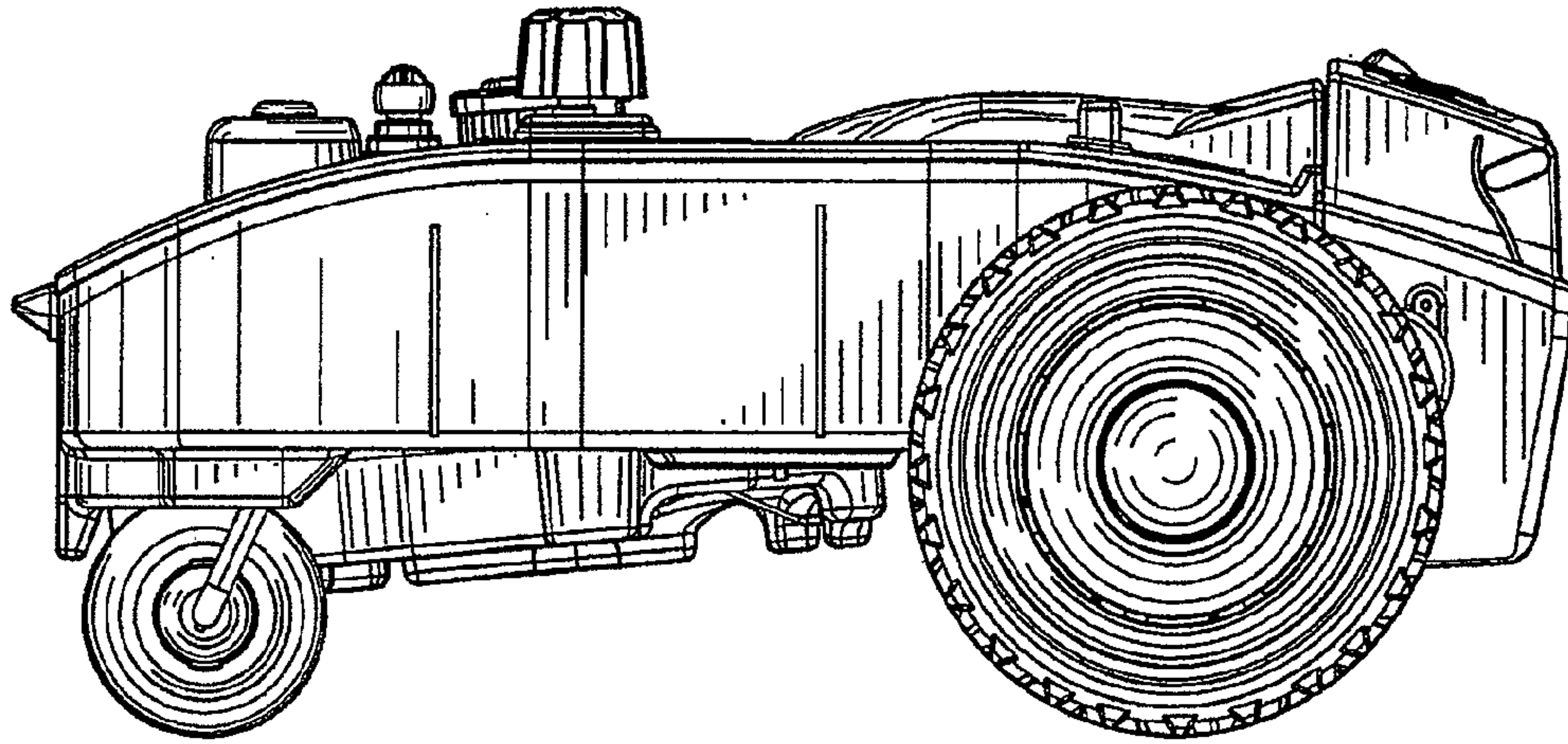


FIG. 6

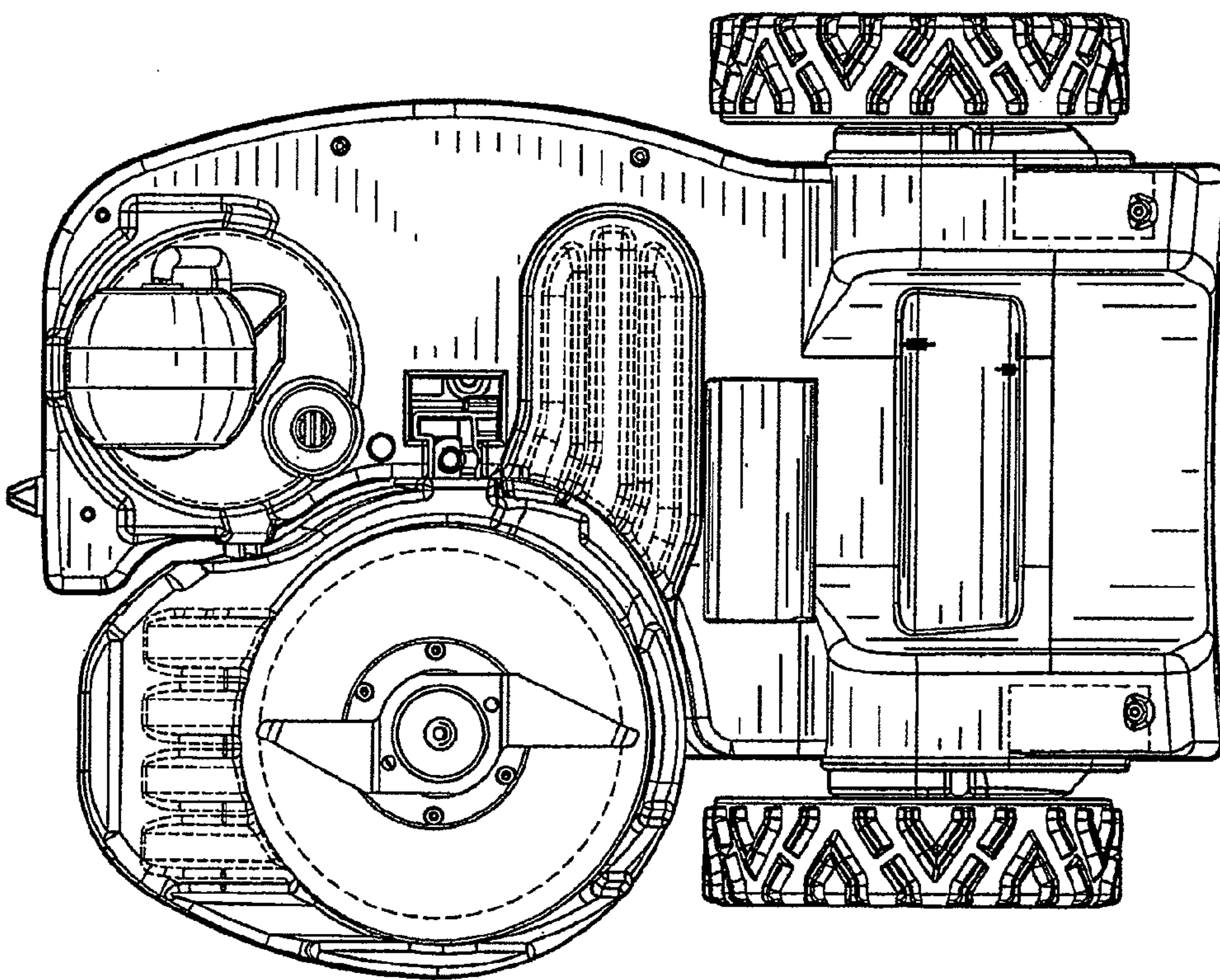


FIG. 7